



US00D674904S

(12) **United States Design Patent**
Aunio

(10) **Patent No.:** **US D674,904 S**
(45) **Date of Patent:** **** Jan. 22, 2013**

(54) **LIGHT TREATMENT DEVICE**

(75) Inventor: **Antti Aunio**, Oulu (FI)

(73) Assignee: **Valkee Oy**, Oulu (FI)

(**) Term: **14 Years**

(21) Appl. No.: **29/375,981**

(22) Filed: **Sep. 30, 2010**

(30) **Foreign Application Priority Data**

Mar. 31, 2010 (EM) 001689399-0001

(51) **LOC (9) Cl.** **28-03**

(52) **U.S. Cl.** **D24/210; D14/223**

(58) **Field of Classification Search** D24/210,
D24/209, 200, 158; 362/555, 545, 800, 294,
362/249, 367; D26/29, 37, 39, 41, 104; 606/2-4;
607/88-95; D14/223

See application file for complete search history.

(56) **References Cited**

U.S. PATENT DOCUMENTS

D259,279 S *	5/1981	Takeda	D24/106
D516,058 S *	2/2006	Garcia	D14/205
D535,644 S *	1/2007	Drambarean et al.	D14/223
D542,773 S *	5/2007	Drambarean et al.	D14/205
D550,200 S *	9/2007	Drambarean et al.	D14/205
D550,655 S *	9/2007	Falco	D14/223
D554,627 S *	11/2007	Gondo	D14/223
D567,217 S *	4/2008	Kamo et al.	D14/205
D603,837 S *	11/2009	Martin	D14/206

D606,972 S *	12/2009	Schaefer	D14/205
D611,934 S *	3/2010	Schaefer	D14/223
D613,726 S *	4/2010	Blanchard et al.	D14/223
D632,678 S *	2/2011	Brown et al.	D14/223
D643,416 S *	8/2011	Chong et al.	D14/223
D653,235 S *	1/2012	McManigal	D14/205
D653,236 S *	1/2012	Andre et al.	D14/205
D660,291 S *	5/2012	Thomas et al.	D14/223

* cited by examiner

Primary Examiner — John Windmuller

(74) *Attorney, Agent, or Firm* — Andrus, Scales, Starke & Sawall, LLP

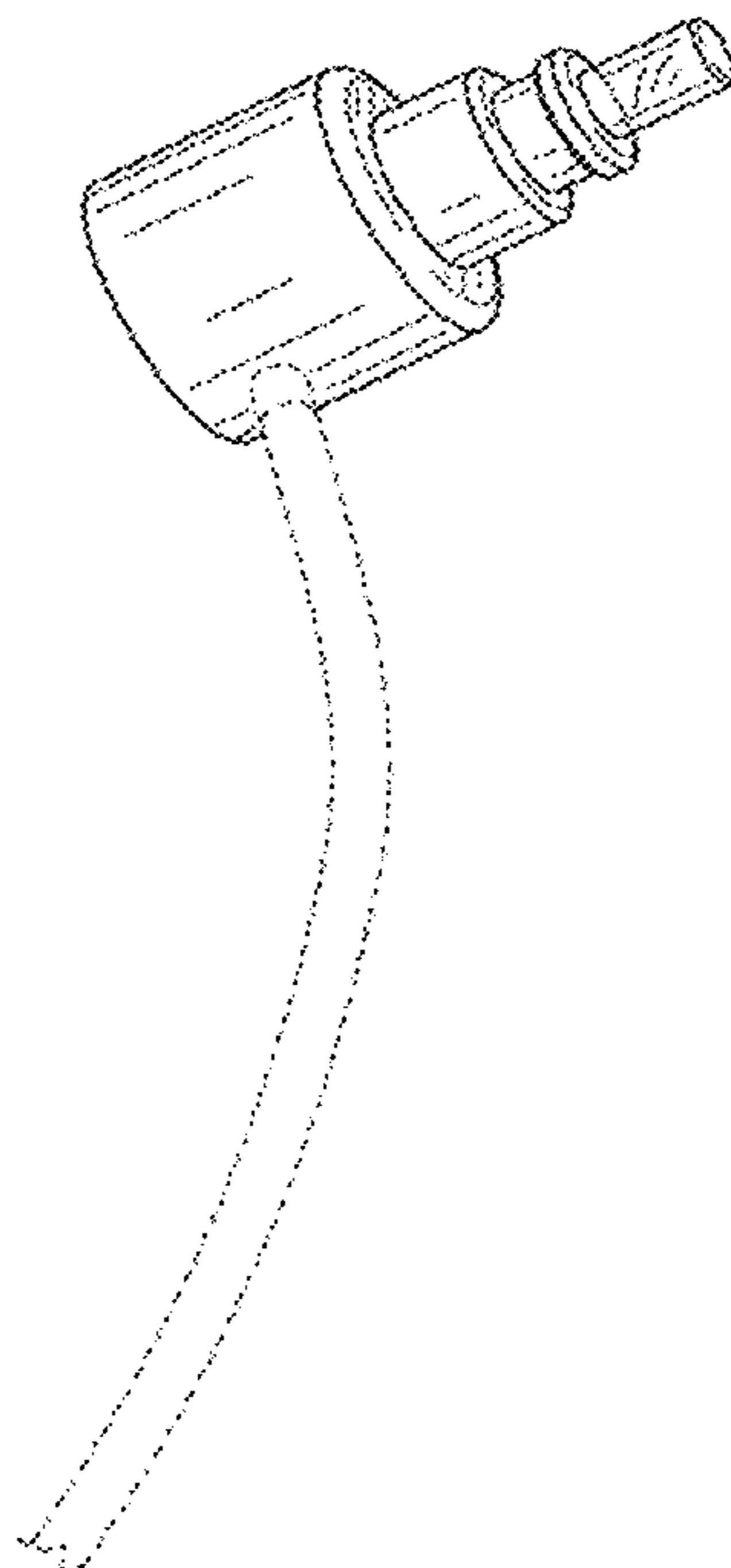
(57) **CLAIM**

The ornamental design for a light treatment device, as shown and described.

DESCRIPTION

FIG. 1 is a perspective view of a light treatment device; FIG. 2 is an additional perspective view thereof; FIG. 3 is a left side elevation view thereof, the right side elevation view being a mirror image thereof; FIG. 4 is a front elevation view thereof; FIG. 5 is a rear elevation view thereof; FIG. 6 is a top elevation view thereof; and, FIG. 7 is a bottom elevation view thereof. The broken lines shown in the drawing figures are for the purpose of illustrating environmental structure and form no part of the claimed design.

1 Claim, 3 Drawing Sheets



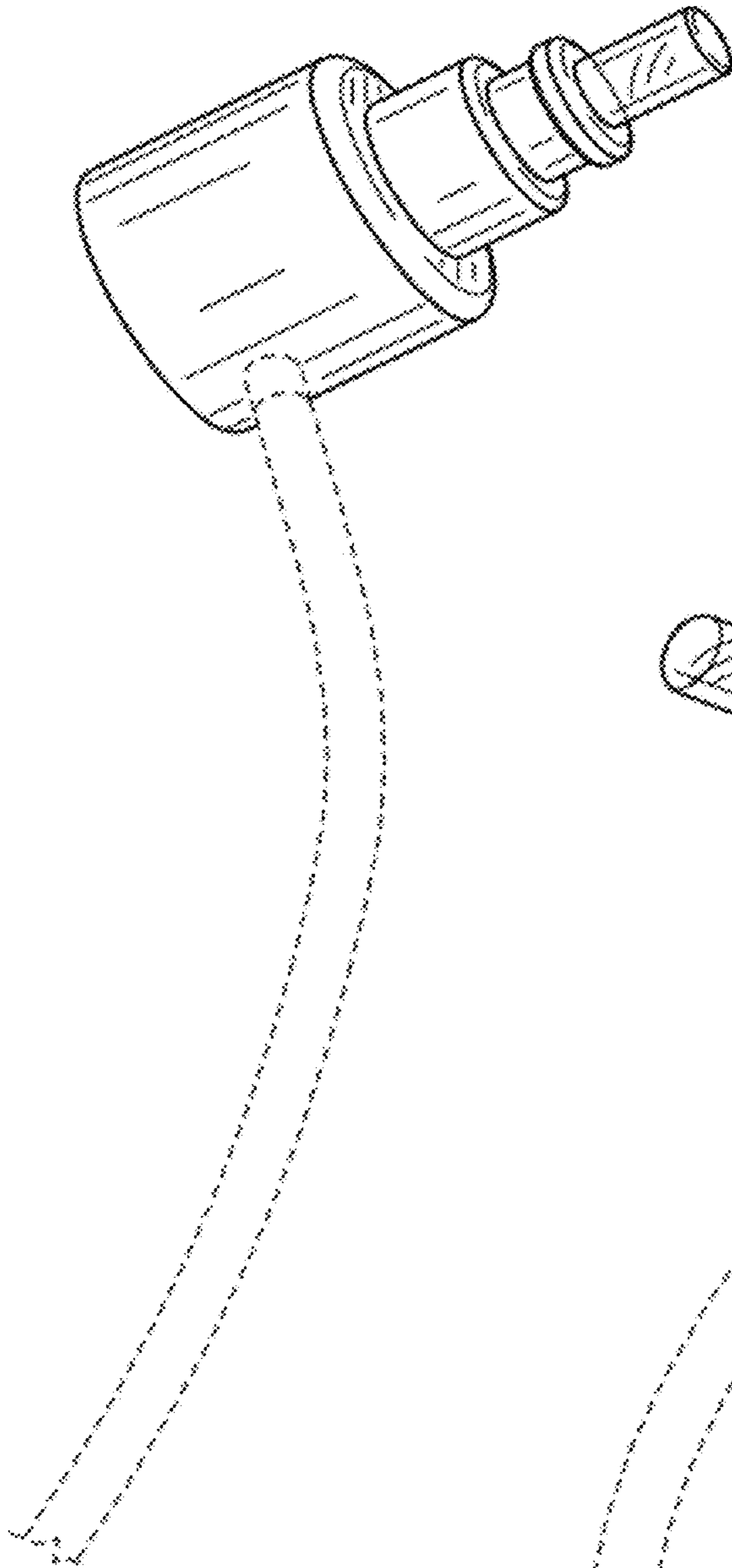


FIG. 1

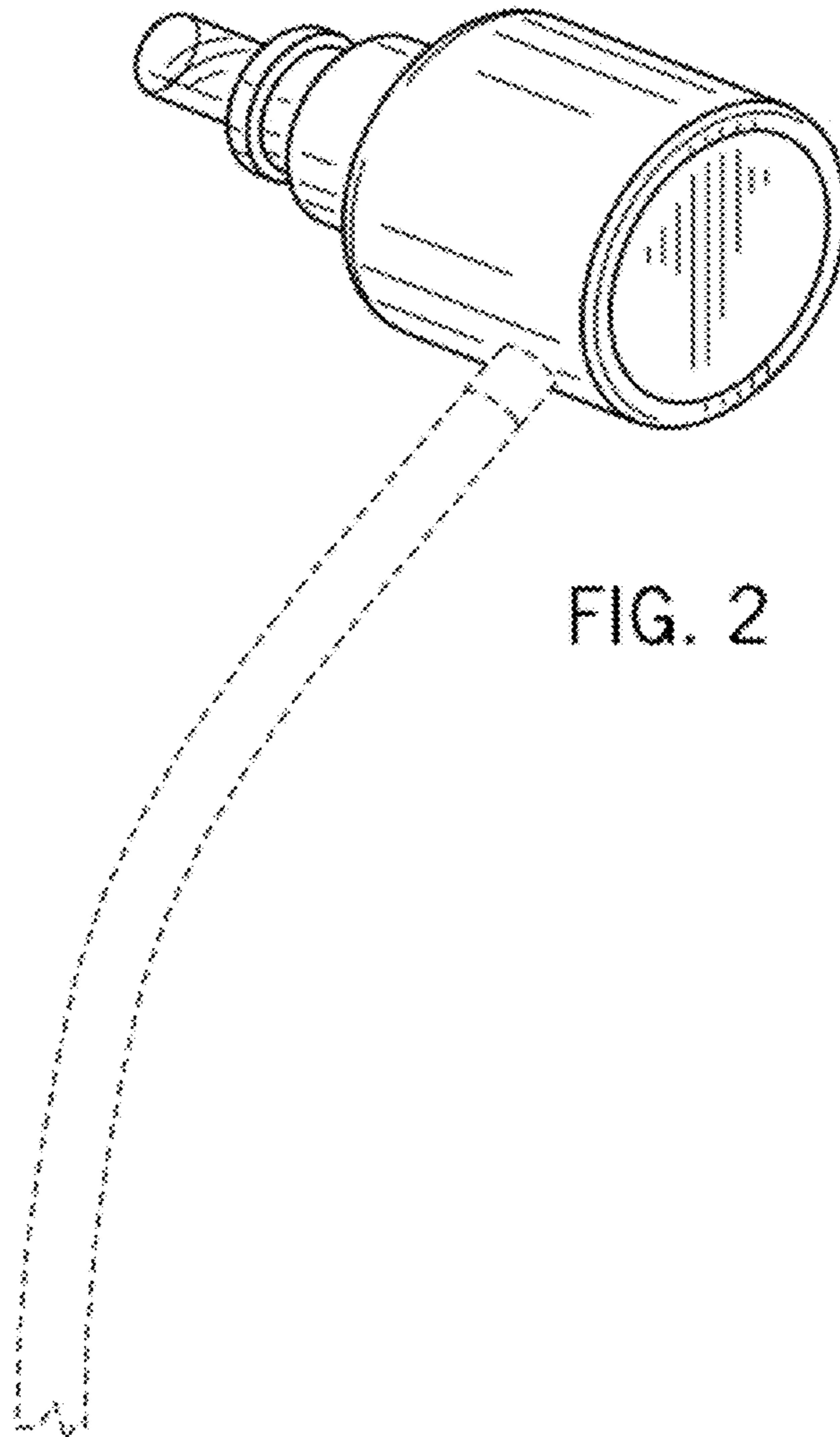


FIG. 2

FIG. 3

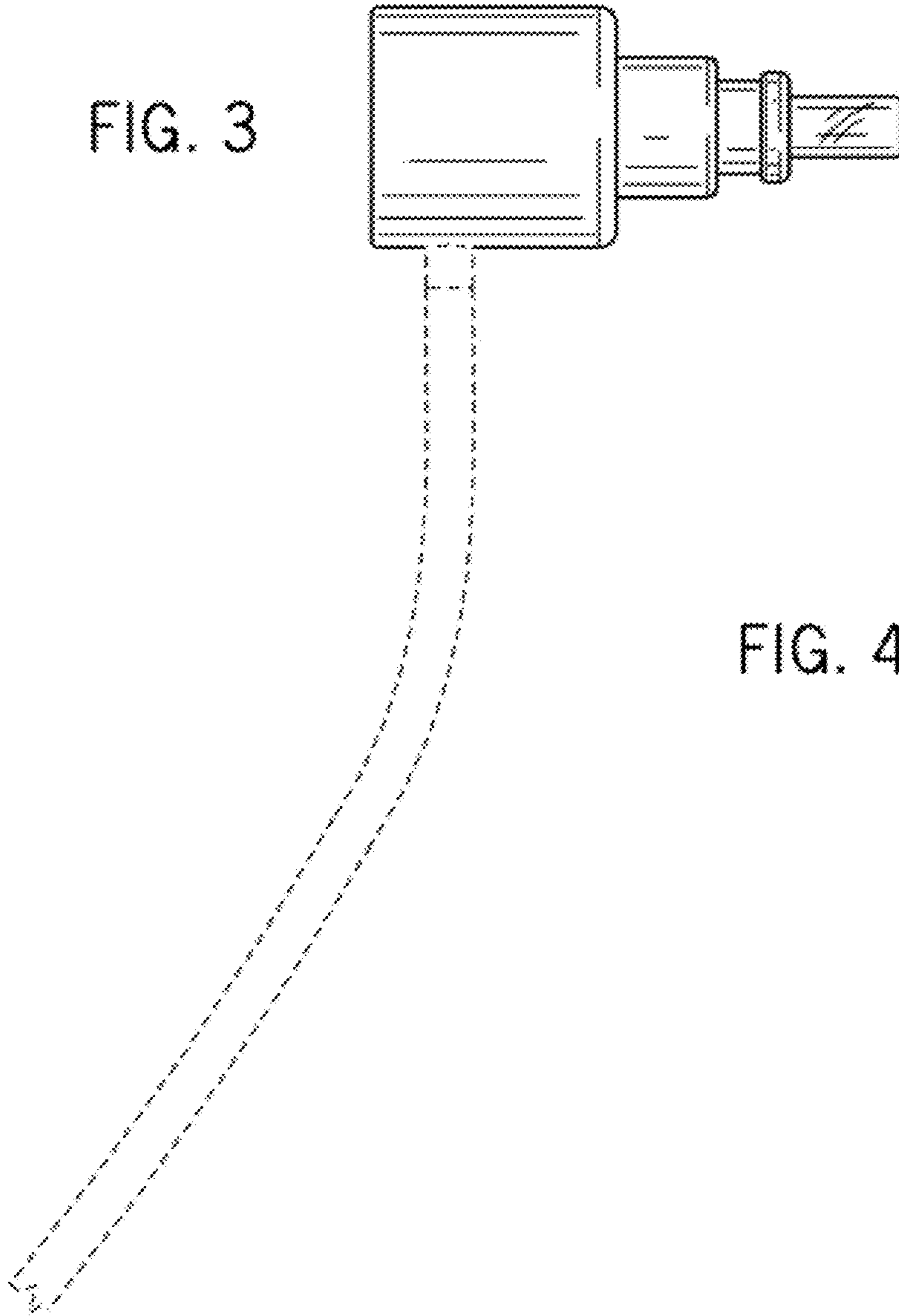
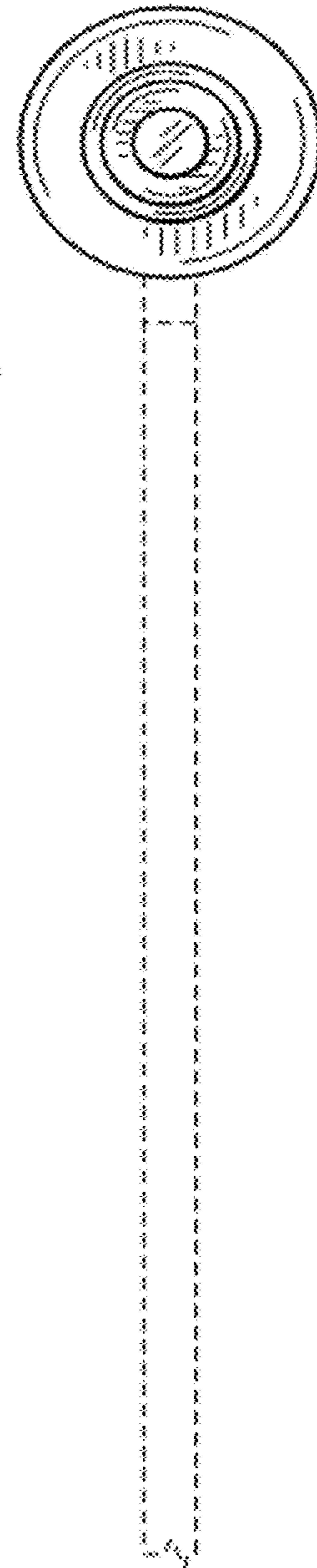


FIG. 4



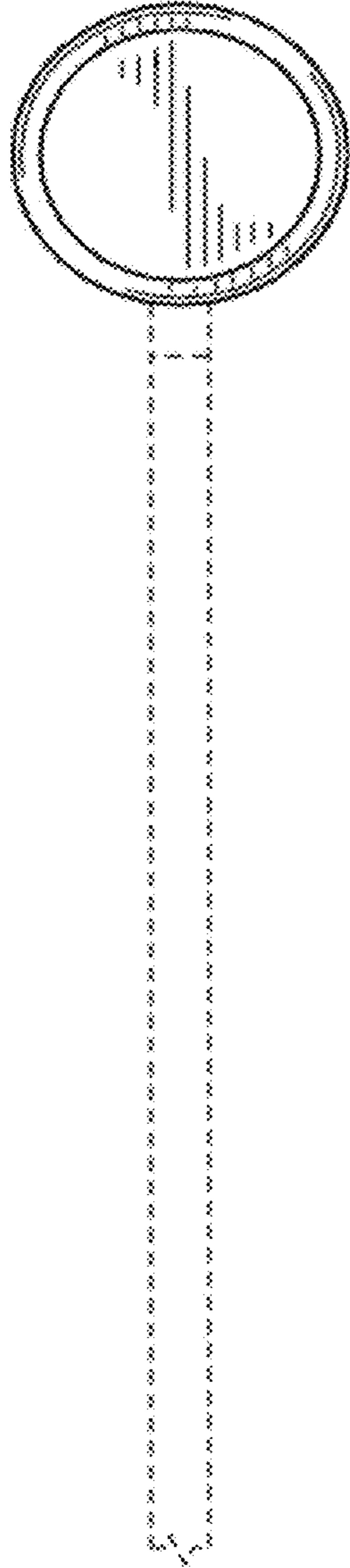


FIG. 5

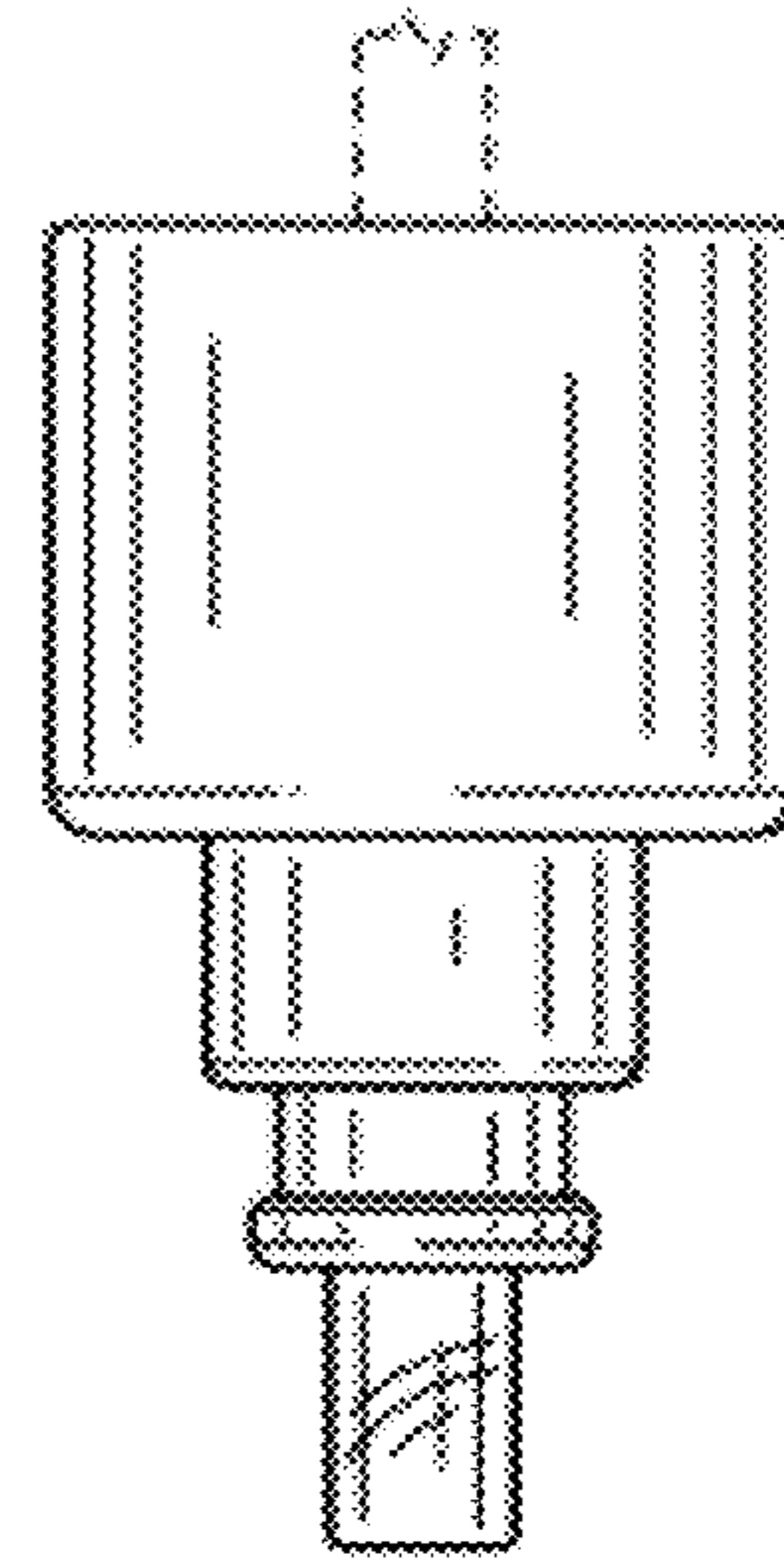


FIG. 6

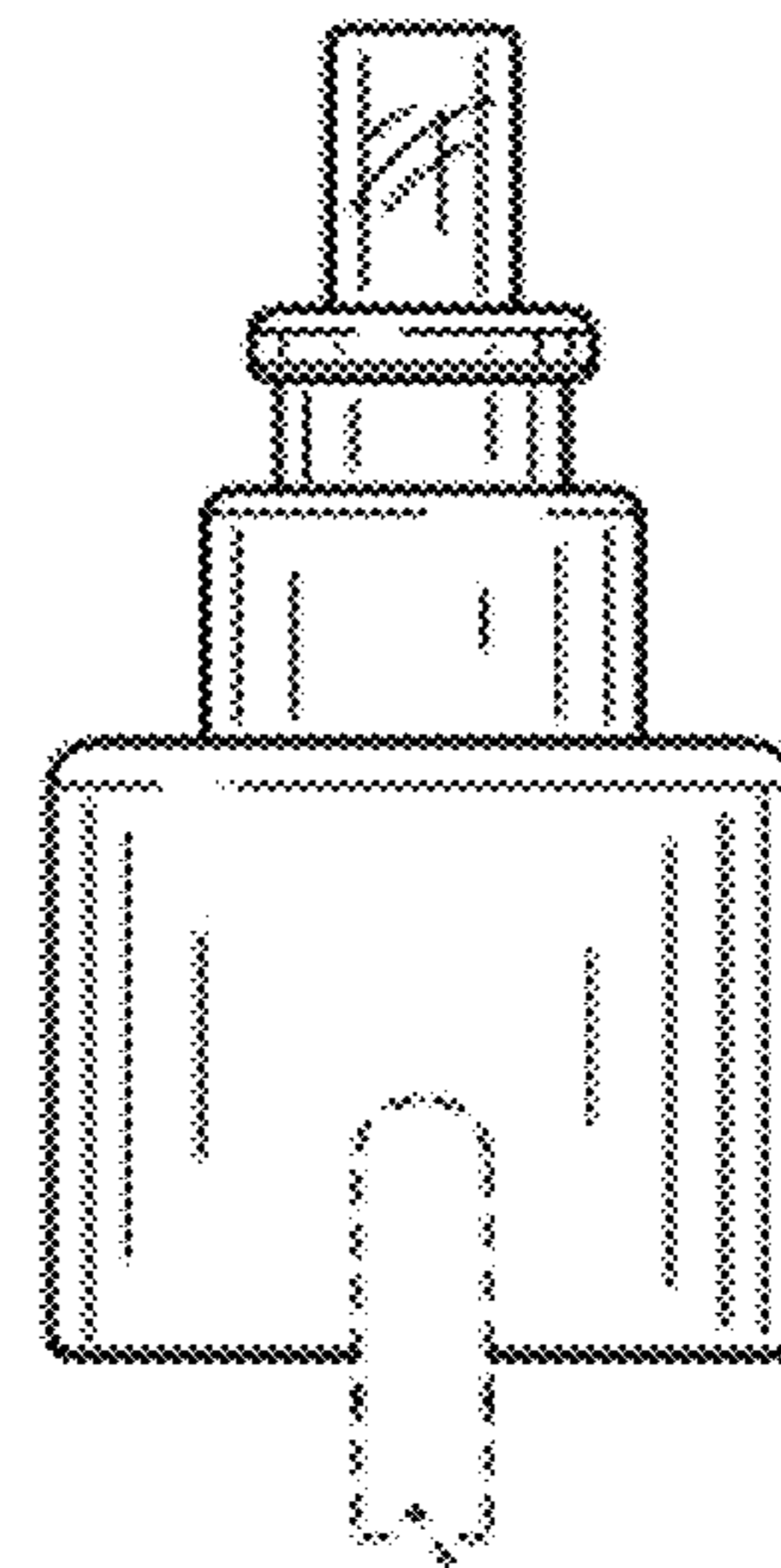


FIG. 7