



US00D674903S

(12) **United States Design Patent**
Harder

(10) **Patent No.:** **US D674,903 S**

(45) **Date of Patent:** **** Jan. 22, 2013**

(54) **EYE SHIELD**

(75) Inventor: **Robert H. Harder**, Bena, VA (US)

(73) Assignee: **H & H Associates, Inc.**, Ordinary, VA (US)

(**) Term: **14 Years**

(21) Appl. No.: **29/371,647**

(22) Filed: **Jun. 23, 2011**

(51) **LOC (9) Cl.** **24-04**

(52) **U.S. Cl.** **D24/189**

(58) **Field of Classification Search** D24/189;
602/74, 41; 128/888-890, 893, 894, 858;
2/15

See application file for complete search history.

(56) **References Cited**

U.S. PATENT DOCUMENTS

3,973,561	A *	8/1976	Kane	128/858
4,682,371	A *	7/1987	Heltman	2/15
D311,409	S *	10/1990	Goffman	D16/100
4,969,472	A *	11/1990	Langley et al.	128/858
5,927,279	A *	7/1999	Oviatt	128/857
D421,124	S *	2/2000	Yavitz	D24/189
D440,660	S *	4/2001	Sternberg	D24/190

D466,610	S *	12/2002	Ashton et al.	D24/189
RE39,896	E *	10/2007	Arnold et al.	602/54
7,584,754	B1 *	9/2009	Pellegrini et al.	128/858
D639,441	S *	6/2011	Sferle	D24/189
2011/0034849	A1 *	2/2011	Cooks	602/74

* cited by examiner

Primary Examiner — T. Chase Nelson

Assistant Examiner — Michelle E Wilson

(74) *Attorney, Agent, or Firm* — Nixon & Vanderhye, PC

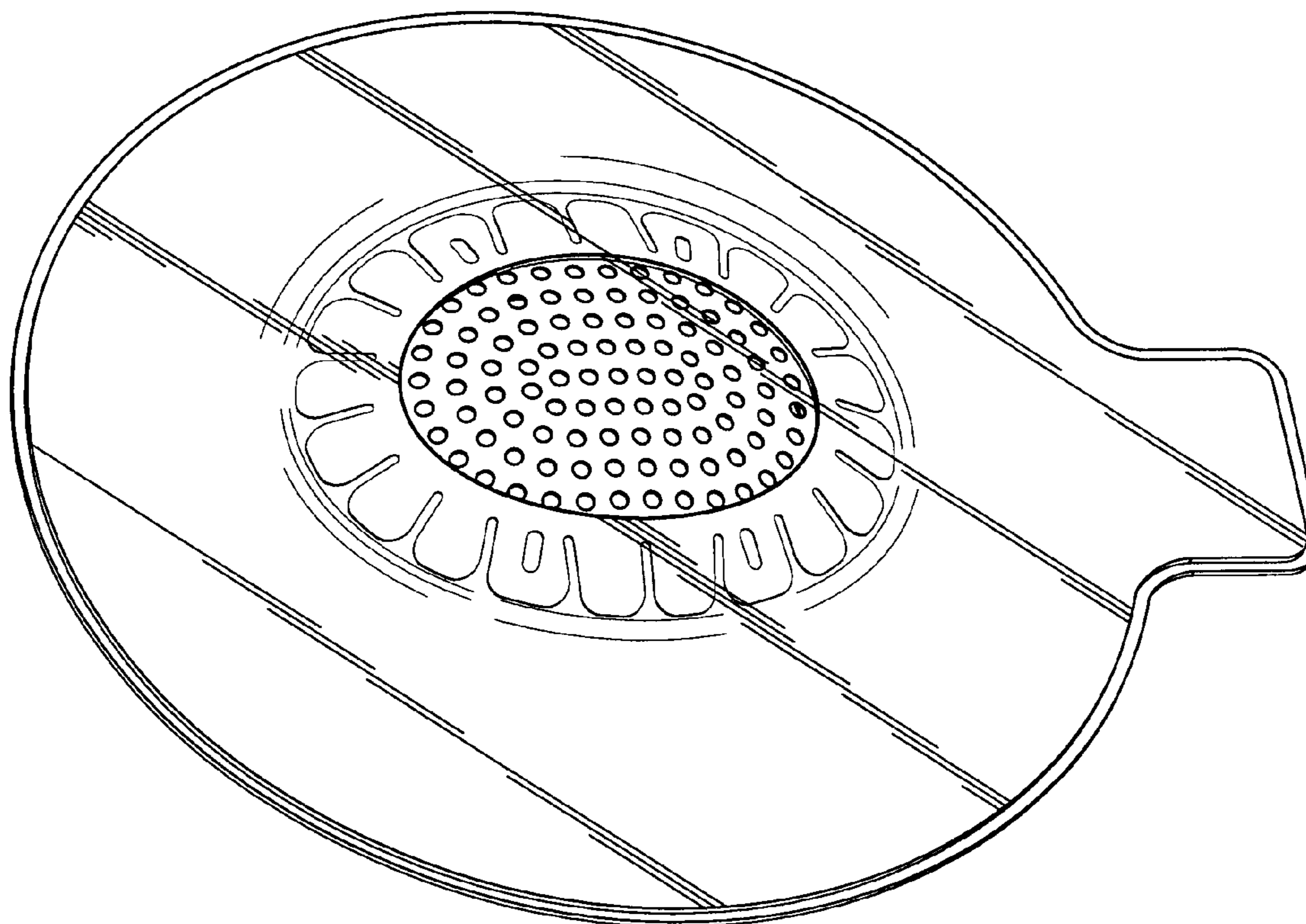
(57) **CLAIM**

The ornamental design for an eye shield, as shown and described.

DESCRIPTION

FIG. 1 is a front top perspective view of the present invention
FIG. 2 is a top view of the present invention;
FIG. 3 is a bottom view of the present invention;
FIG. 4 is a front view of the present invention (the rear view is a mirror image of the front view);
FIG. 5 is a right side view of the present invention;
FIG. 6 is a left side view of the present invention; and,
FIG. 7 is a rear bottom perspective view of the present invention.

1 Claim, 5 Drawing Sheets



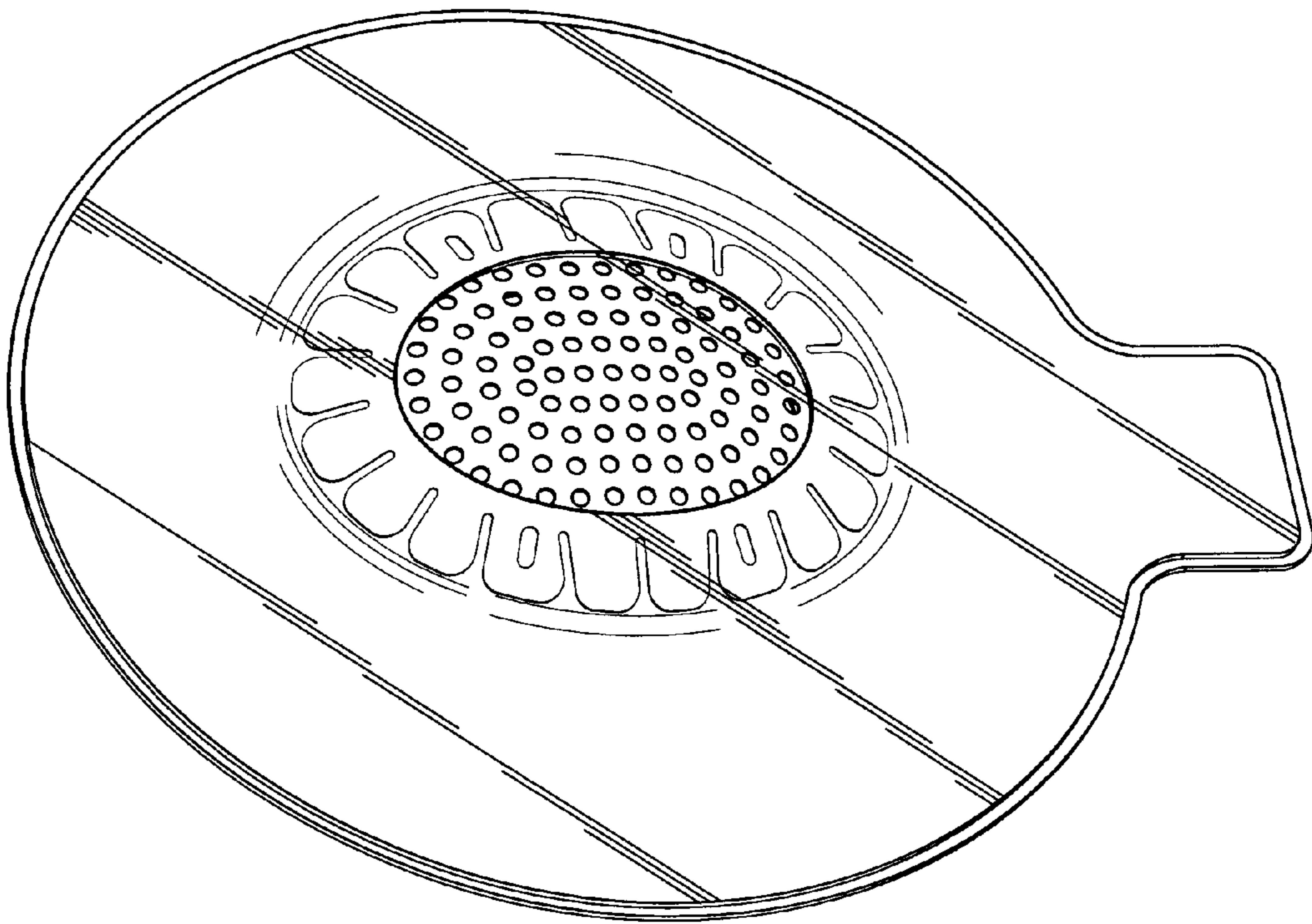


FIG. 1

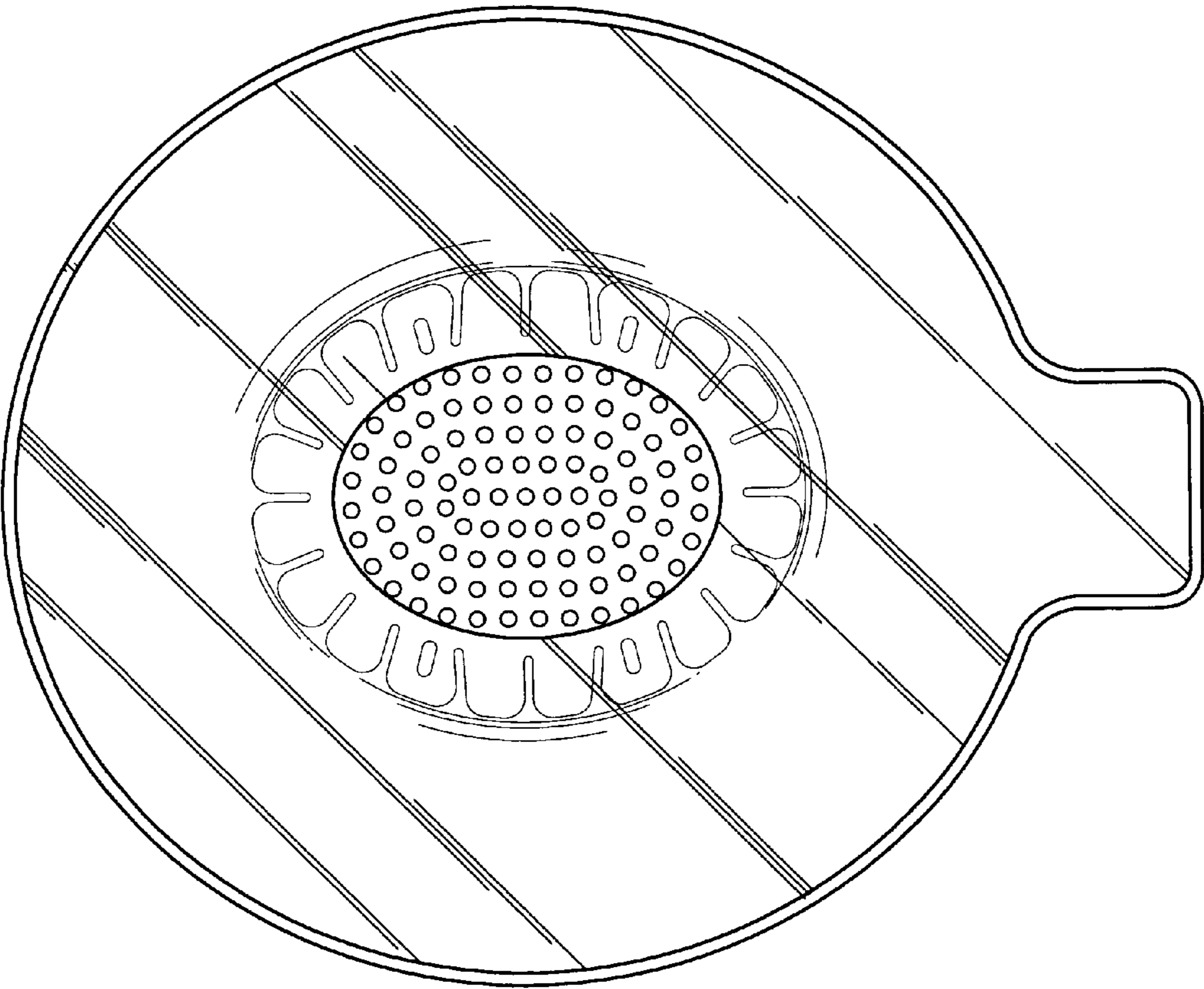


FIG. 2

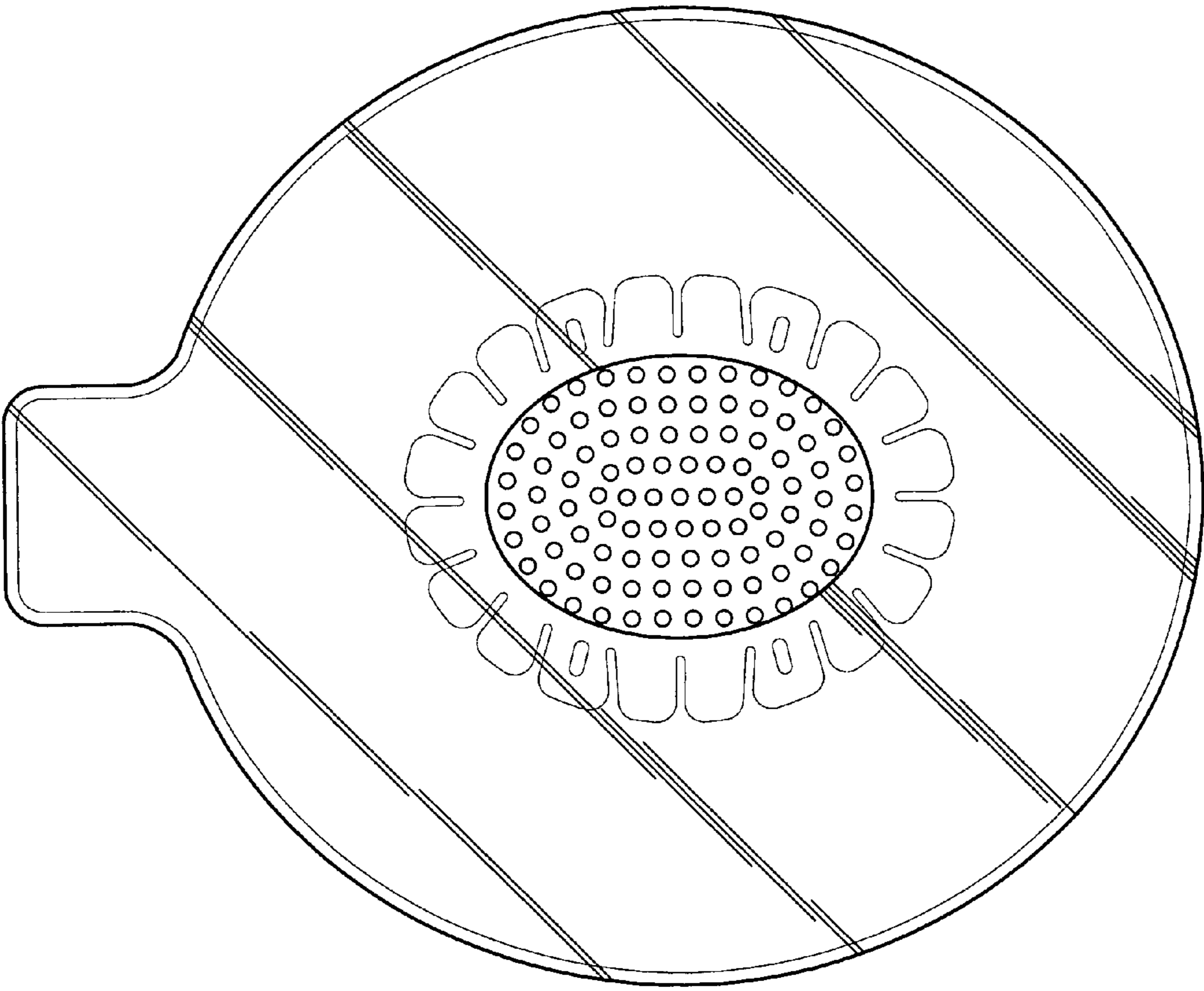


FIG. 3



FIG. 4

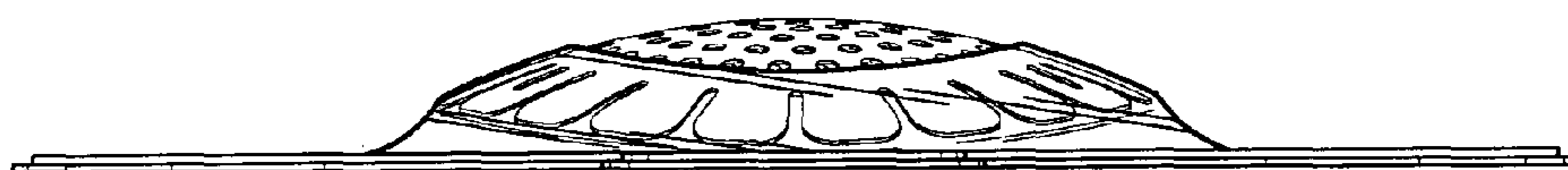


FIG. 5

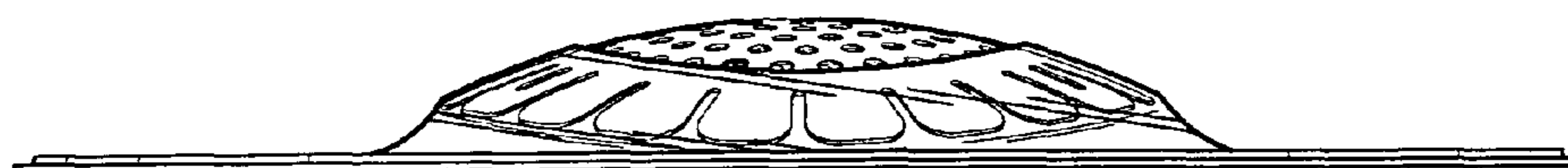


FIG. 6

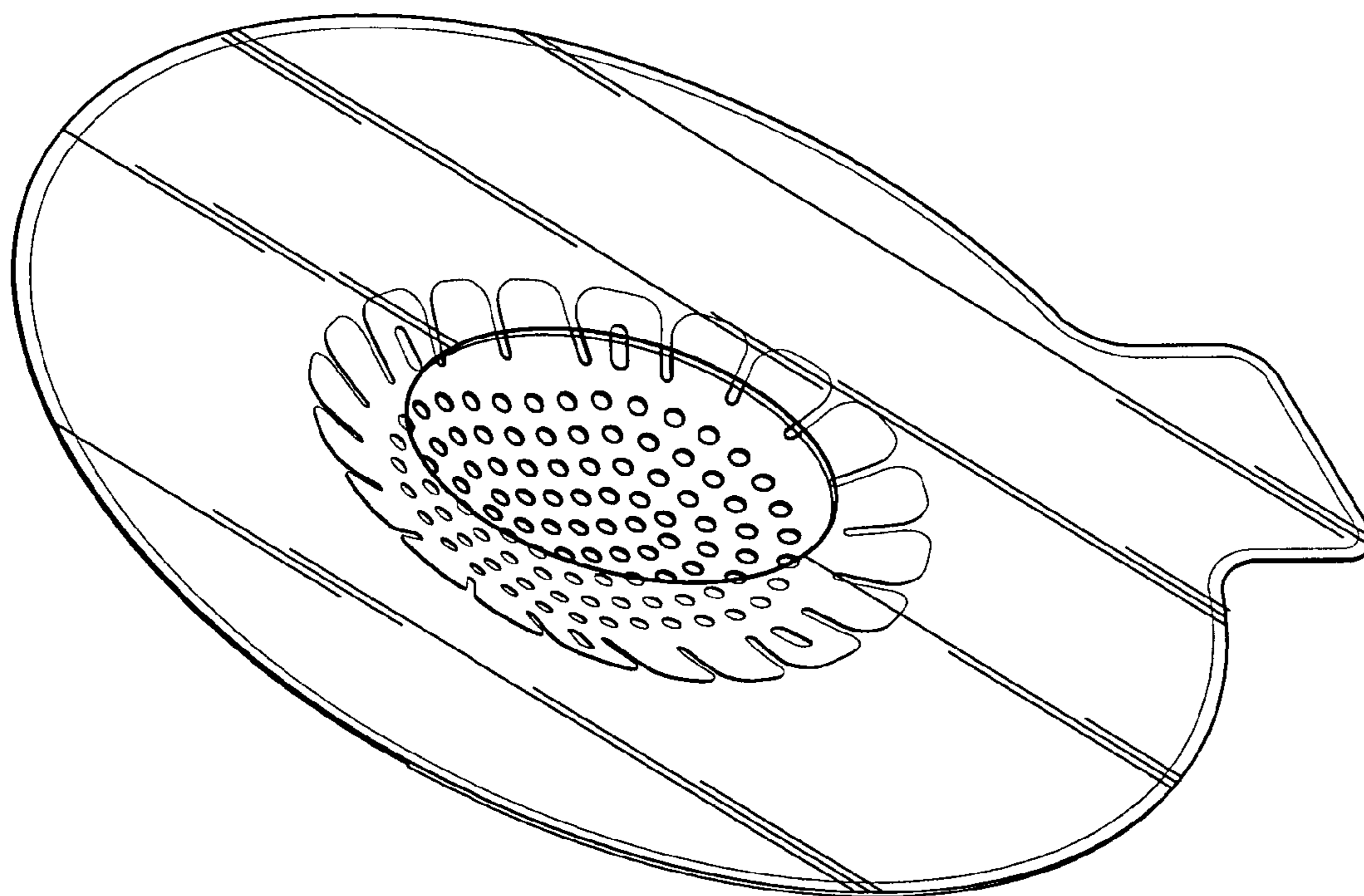


FIG. 7