



US00D674902S

(12) **United States Design Patent**
Van Dalen et al.

(10) **Patent No.:** **US D674,902 S**
(45) **Date of Patent:** **** Jan. 22, 2013**

(54) **EYE PATCH**

(75) Inventors: **Johan T. W. Van Dalen**, Tucson, AZ
(US); **Dan D. Carda**, Tucson, AZ (US)

(73) Assignee: **Eye Care and Cure Pte. Ltd**, Singapore
(SG)

(**) Term: **14 Years**

(21) Appl. No.: **29/351,198**

(22) Filed: **Dec. 1, 2009**

(51) **LOC (9) Cl.** **24-04**

(52) **U.S. Cl.** **D24/189**

(58) **Field of Classification Search** D24/189;
602/41, 74, 79; 128/858; 2/15; D29/105
See application file for complete search history.

(56) **References Cited**

U.S. PATENT DOCUMENTS

1,161,321	A *	11/1915	Lush	604/308
4,867,146	A *	9/1989	Krupnick et al.	128/858
4,951,658	A *	8/1990	Morgan et al.	602/74
5,887,590	A *	3/1999	Price	128/858
5,927,279	A *	7/1999	Oviatt	128/857
6,149,615	A *	11/2000	Gallamore	602/61
6,173,713	B1 *	1/2001	Dawson	128/858
D446,307	S *	8/2001	Bassett	D24/189
6,320,094	B1 *	11/2001	Arnold et al.	602/54
D466,610	S *	12/2002	Ashton et al.	D24/189
RE39,896	E *	10/2007	Arnold et al.	602/54
7,318,440	B1 *	1/2008	Grijalva	128/858

2006/0210616	A1 *	9/2006	Linder	424/449
2007/0028340	A1 *	2/2007	Israel	2/15
2007/0299386	A1 *	12/2007	Peyman	604/20

FOREIGN PATENT DOCUMENTS

JP 2005345868 A * 12/2005

* cited by examiner

Primary Examiner — T. Chase Nelson

Assistant Examiner — Michelle E Wilson

(74) *Attorney, Agent, or Firm* — Dale F. Regelman; Nikia L. Gray; Quarles & Brady LLP

(57) **CLAIM**

The ornamental design for an eye patch, as shown and described.

DESCRIPTION

FIG. 1 is a perspective view showing Applicant's eye patch attached to the frames of a pair of glasses;
FIG. 2 is a front side view thereof;
FIG. 3 is a back side view thereof;
FIG. 4 is a side view thereof attached to the frames of a pair of glasses;
FIG. 5 is a side view thereof attached to the frames of a pair of glasses;
FIG. 6 is a bottom side view thereof; and,
FIG. 7 is a bottom side view thereof attached to the frames of a pair of glasses.

The broken lines showing of the eyeglasses is included for the purpose of illustrating environmental structure and forms no part of the claimed design.

1 Claim, 4 Drawing Sheets

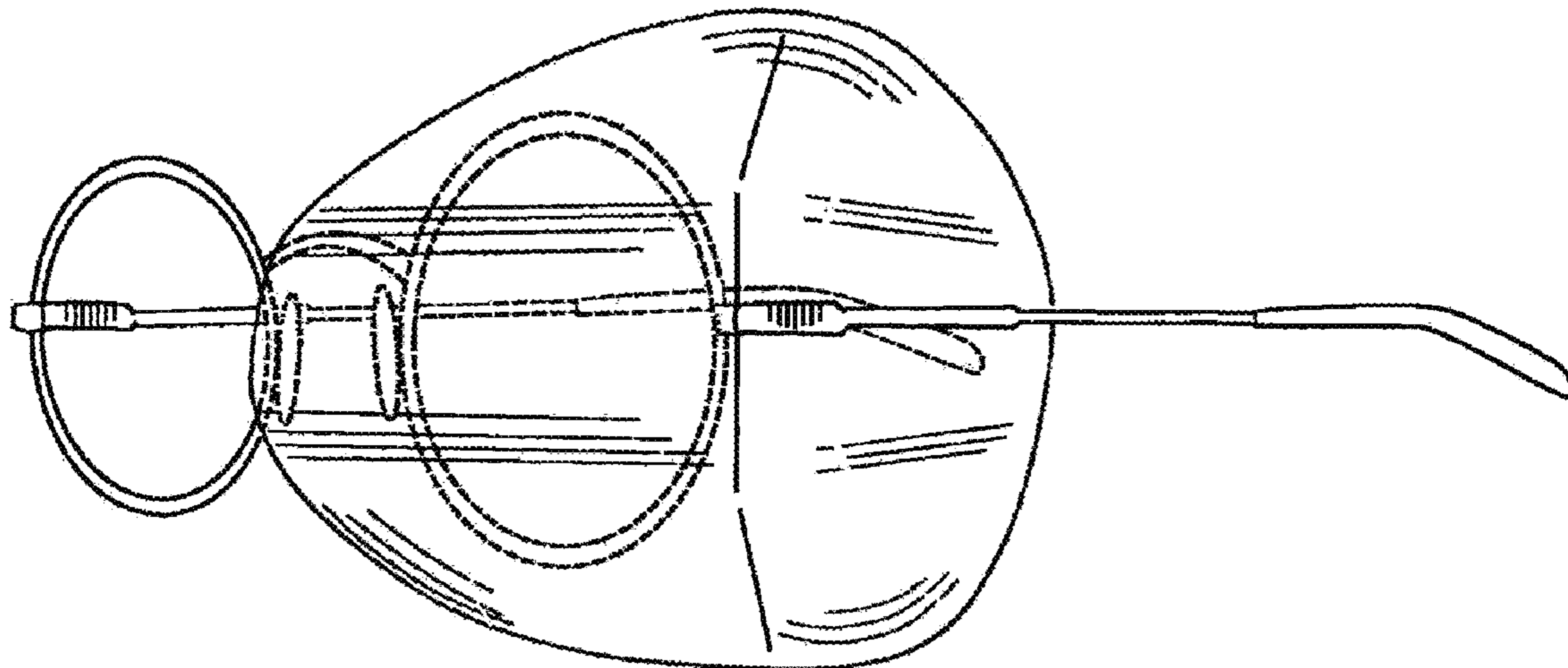


FIG. 1

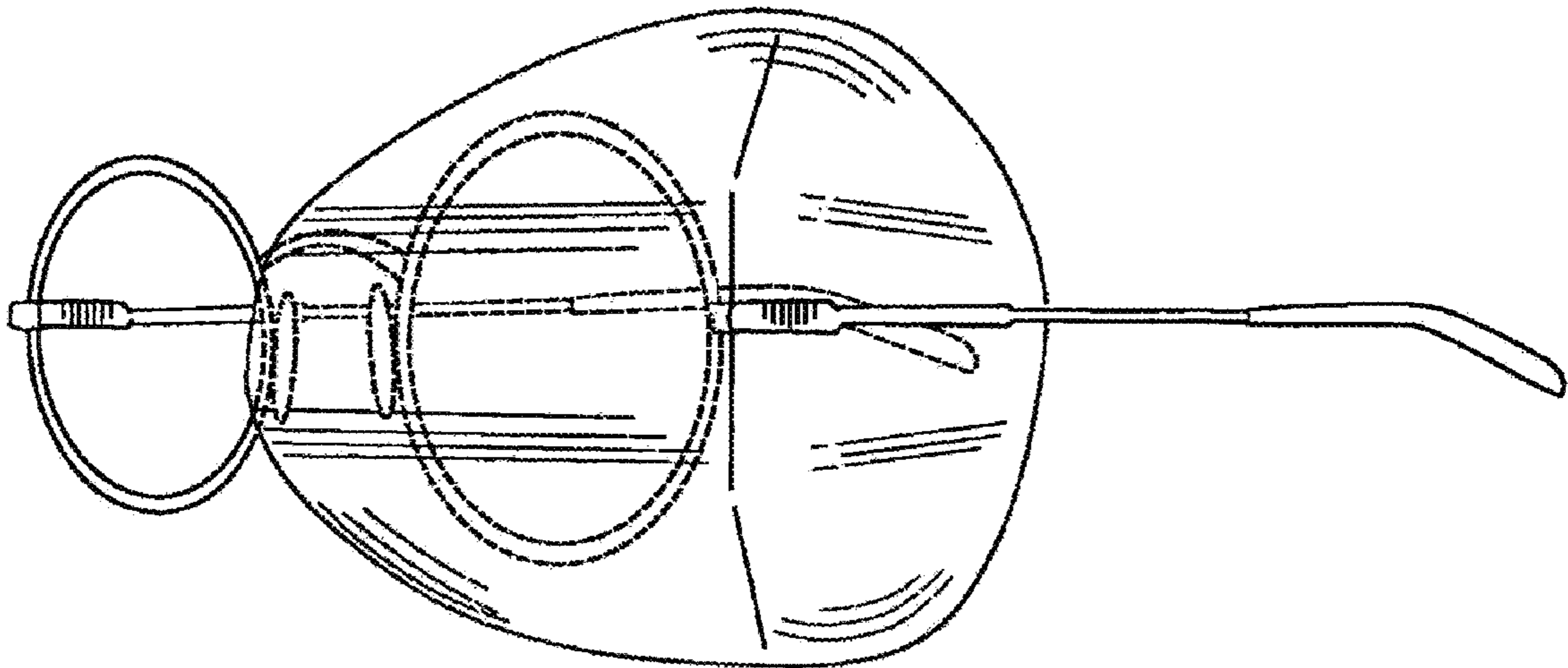


FIG. 2

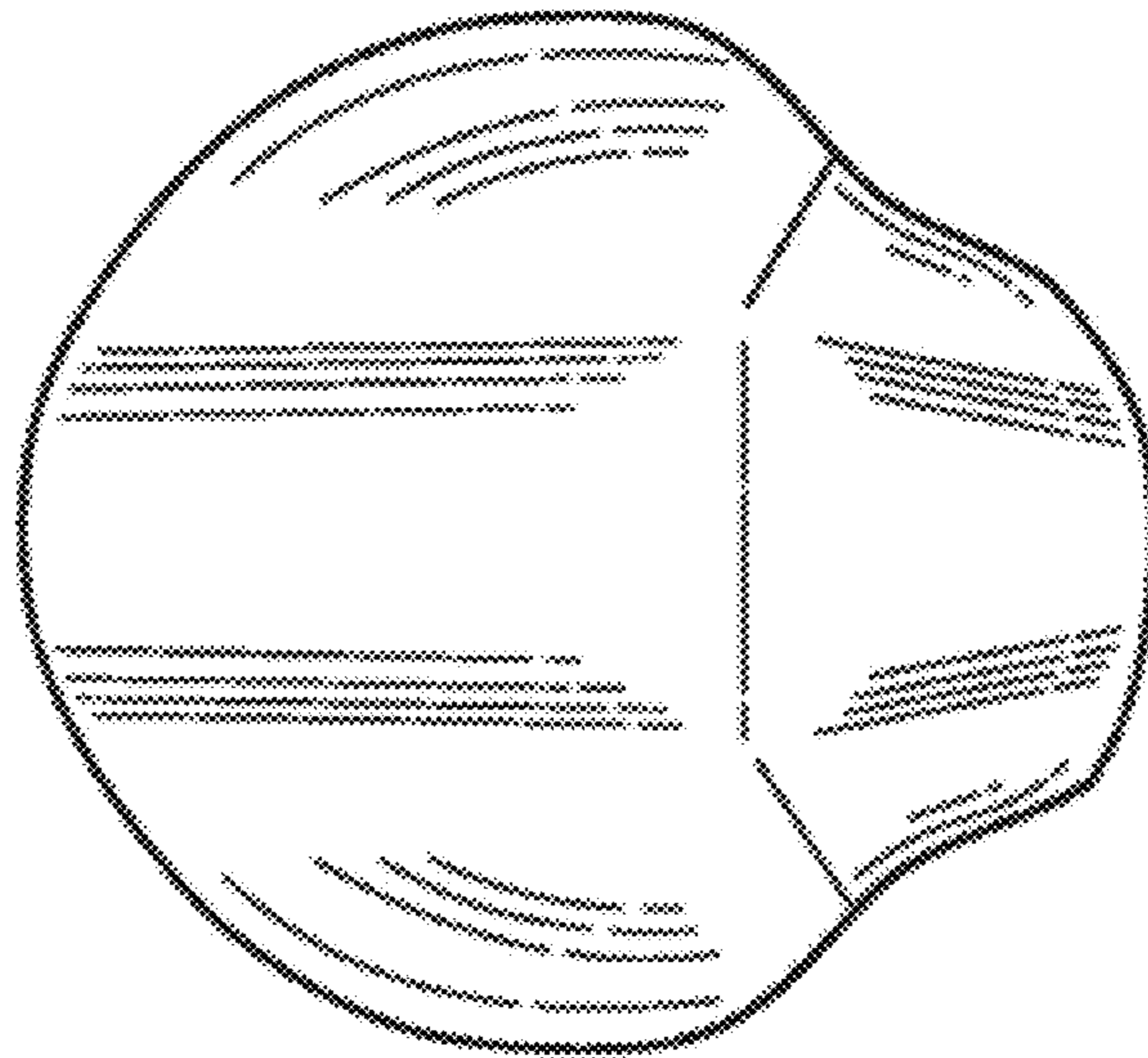


FIG. 3

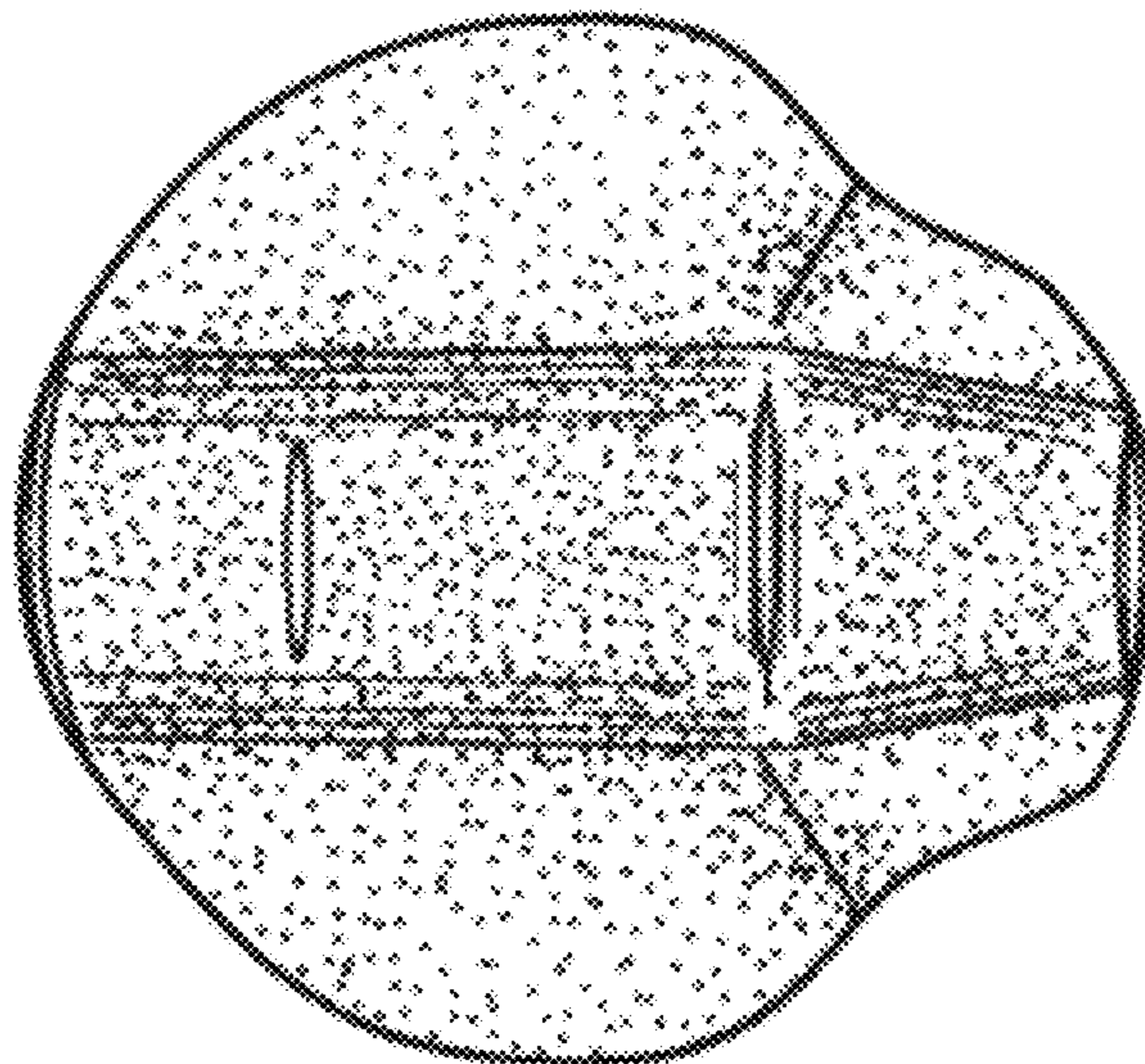


FIG. 4

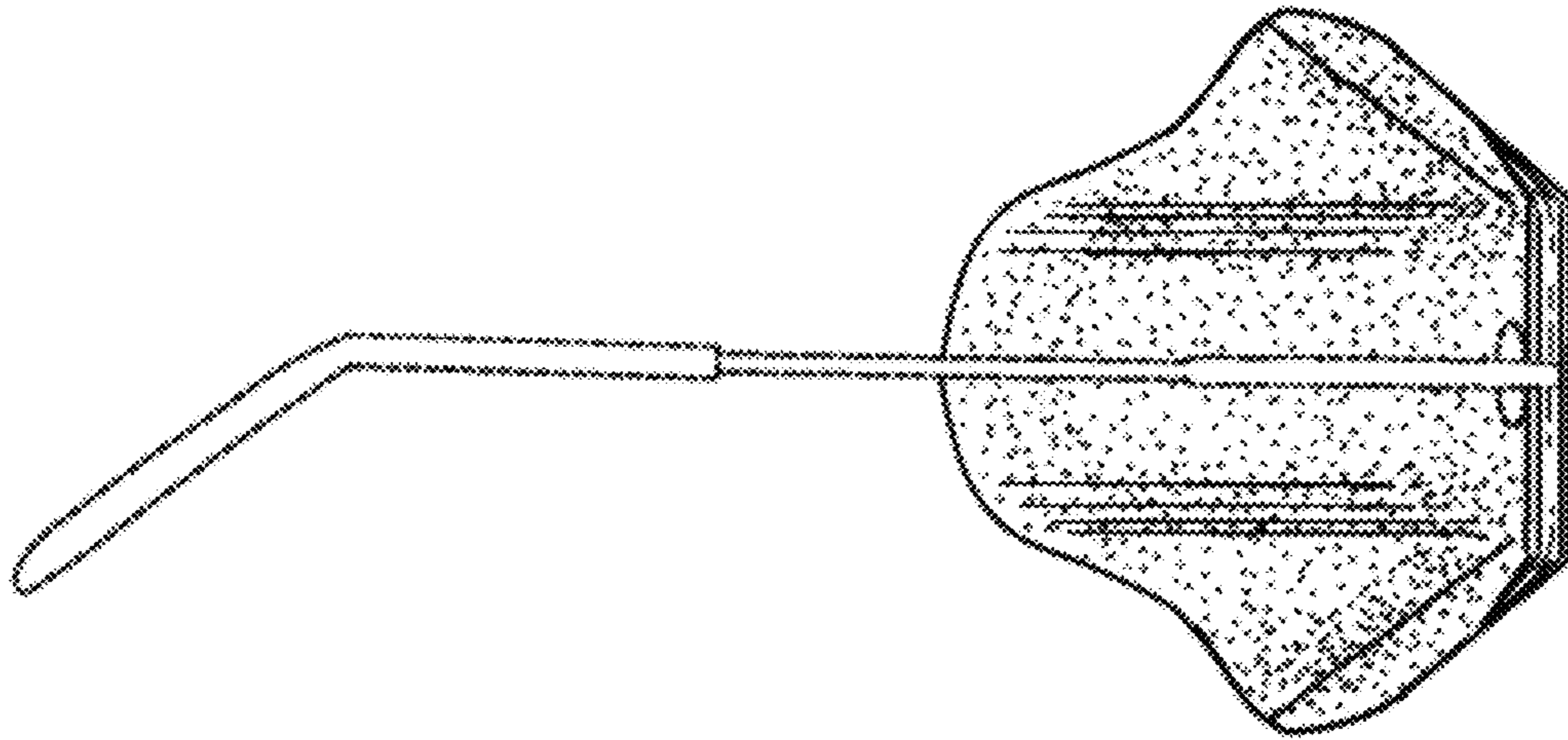


FIG. 5

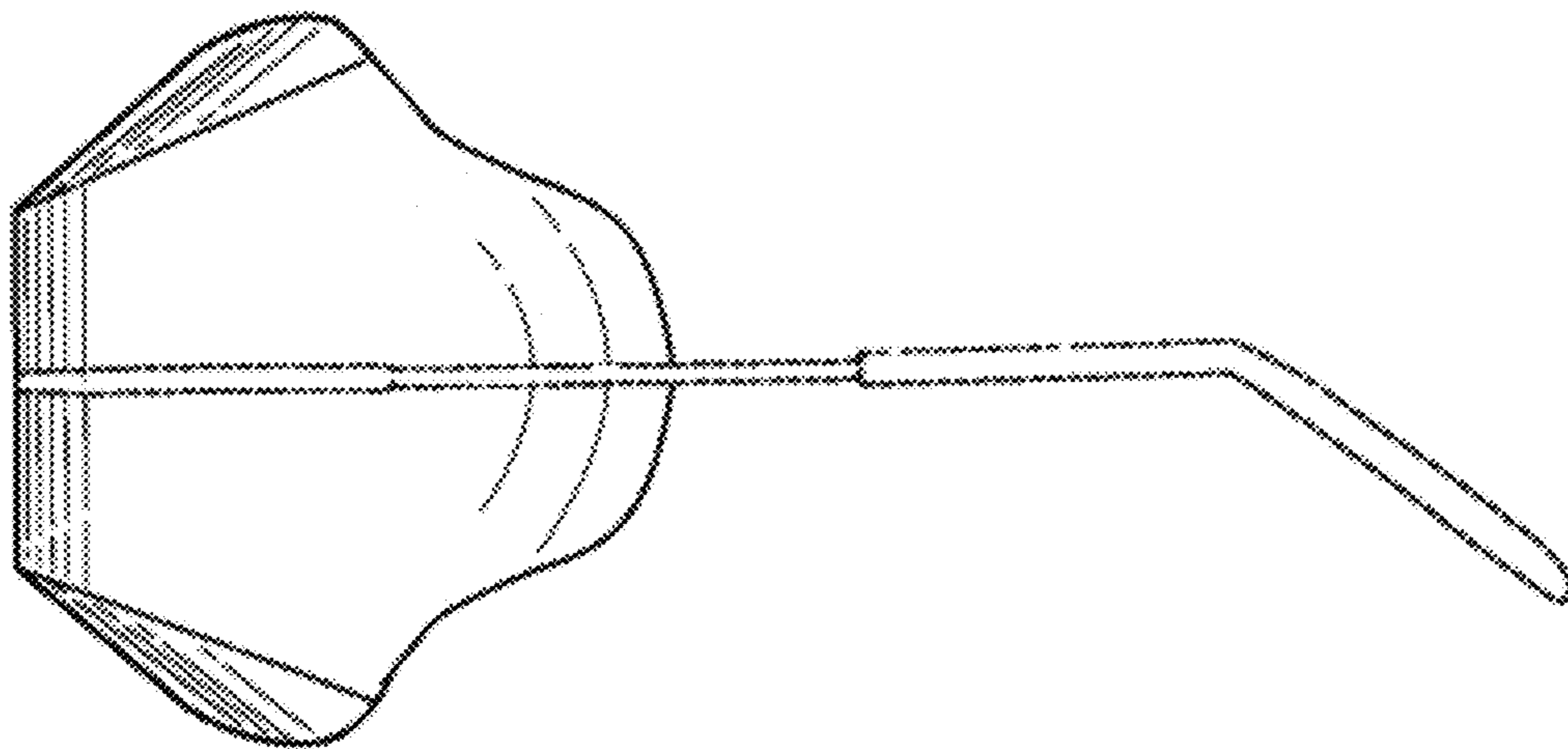


FIG. 6



FIG. 7

