



US00D674900S

(12) **United States Design Patent**
Janice et al.

(10) **Patent No.:** **US D674,900 S**
(45) **Date of Patent:** **** Jan. 22, 2013**

(54) **INTERVERTEBRAL BODY FUSION
IMPLANT DEVICE**

(74) *Attorney, Agent, or Firm* — David O. Simmons

(76) Inventors: **David Janice**, Austin, TX (US);
Timothy W. Hildebrand, Austin, TX
(US)

(57) **CLAIM**
The ornamental design for an intervertebral body fusion
implant device, as shown and described.

(**) Term: **14 Years**

DESCRIPTION

(21) Appl. No.: **29/414,600**

(22) Filed: **Mar. 1, 2012**

(51) **LOC (9) Cl.** **24-02**

(52) **U.S. Cl.** **D24/155**

(58) **Field of Classification Search** D24/155,
D24/156, 133, 152, 154, 135, 144–146, 151;
606/194, 198; 623/23.54, 23.7, 1.15, 903;
604/1.02, 103.02

See application file for complete search history.

(56) **References Cited**

U.S. PATENT DOCUMENTS

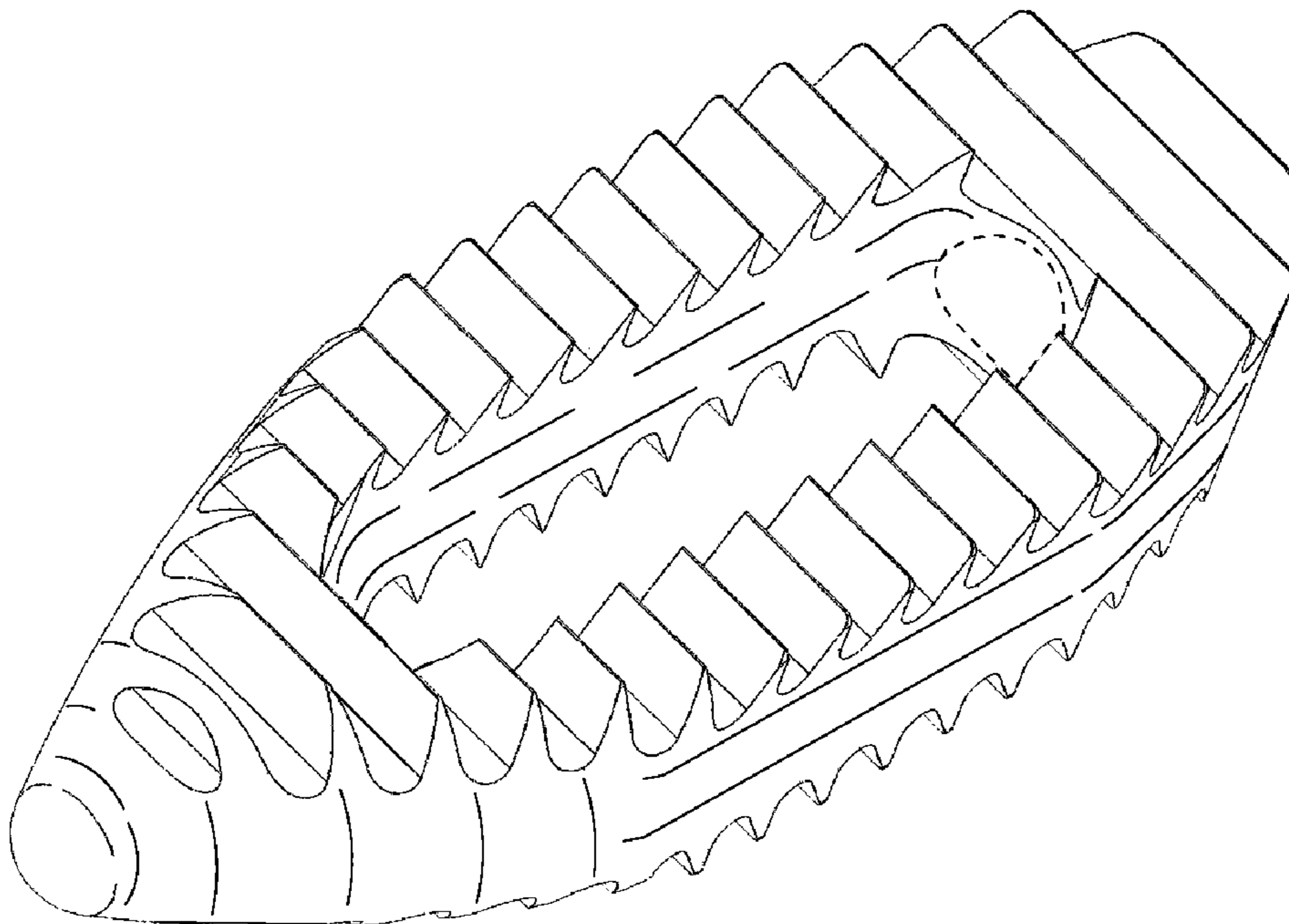
D533,277 S	*	12/2006	Blain	D24/155
D553,744 S	*	10/2007	Park	D24/155
D616,546 S	*	5/2010	Vraney et al.	D24/155
D620,110 S	*	7/2010	Courtney et al.	D24/155
D620,113 S	*	7/2010	Courtney et al.	D24/155
D620,114 S	*	7/2010	Pannu	D24/155
D627,467 S	*	11/2010	Pannu	D24/155
D627,468 S	*	11/2010	Richter et al.	D24/155
D629,108 S	*	12/2010	Richter et al.	D24/155
D650,481 S	*	12/2011	Gottlieb et al.	D24/155

* cited by examiner

Primary Examiner — Ian Simmons
Assistant Examiner — Charles Hanson

FIG. 1 is a left-side frontal top perspective view of an intervertebral body fusion implant device in accordance with the present invention;
 FIG. 2 is a right-side frontal top perspective view of the intervertebral body fusion implant device of FIG. 1;
 FIG. 3 is a right-side rear top perspective view of the intervertebral body fusion implant device of FIG. 1;
 FIG. 4 is a left-side frontal bottom perspective view of the intervertebral body fusion implant device of FIG. 1;
 FIG. 5 is a left-side rear bottom perspective view of the intervertebral body fusion implant device of FIG. 1;
 FIG. 6 is a front view of the intervertebral body fusion implant device of FIG. 1;
 FIG. 7 is a rear view of the intervertebral body fusion implant device of FIG. 1;
 FIG. 8 is a left side view of the intervertebral body fusion implant device of FIG. 1, a right side view of the intervertebral body fusion implant device being a mirror image thereof; and,
 FIG. 9 is a top view of the intervertebral body fusion implant device of FIG. 1, a bottom view of the intervertebral body fusion implant device being a mirror image thereof.
 The broken line showing of included for the purpose of illustrating environment and forms no part of the claimed design.

1 Claim, 3 Drawing Sheets



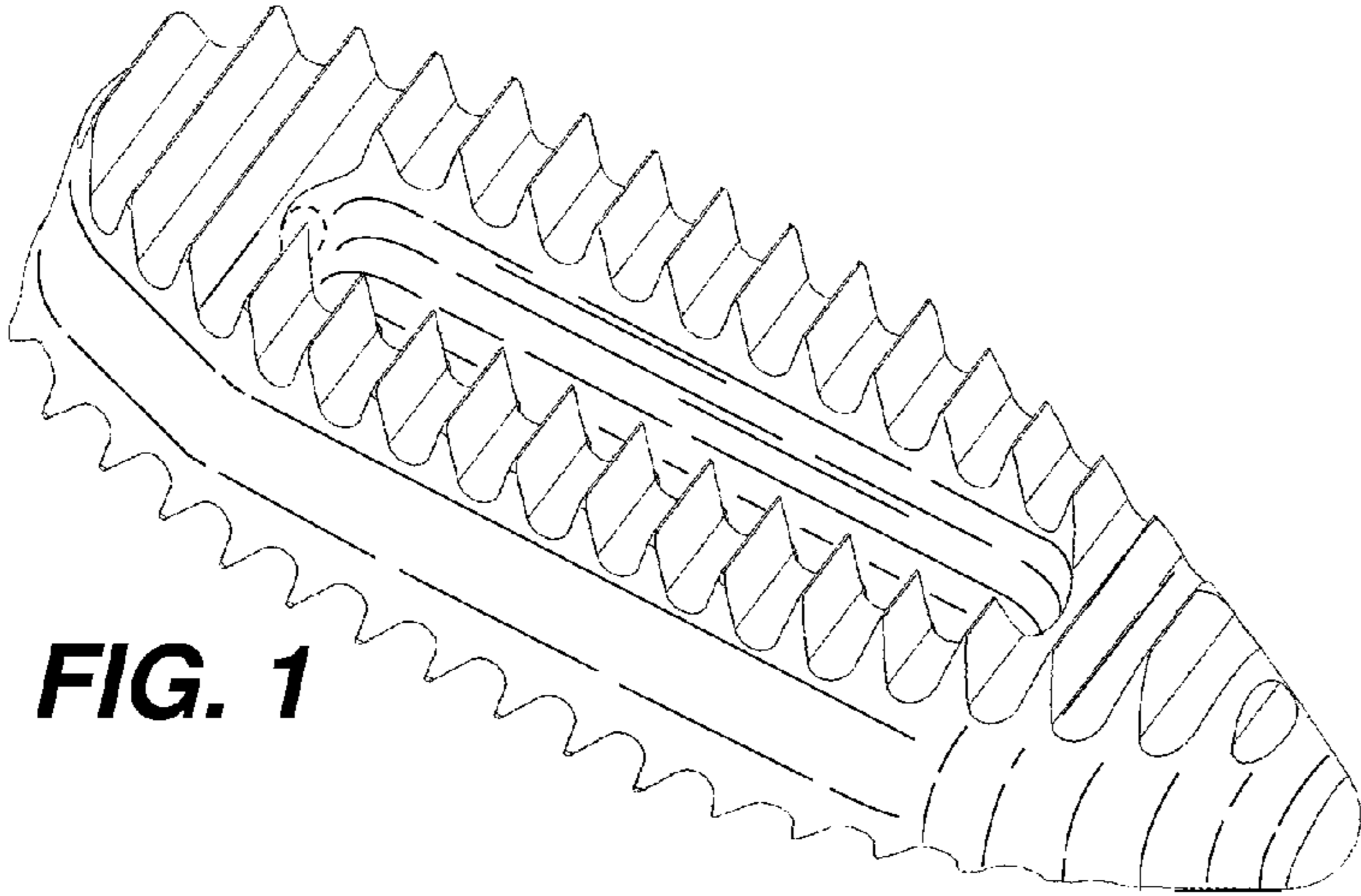


FIG. 1

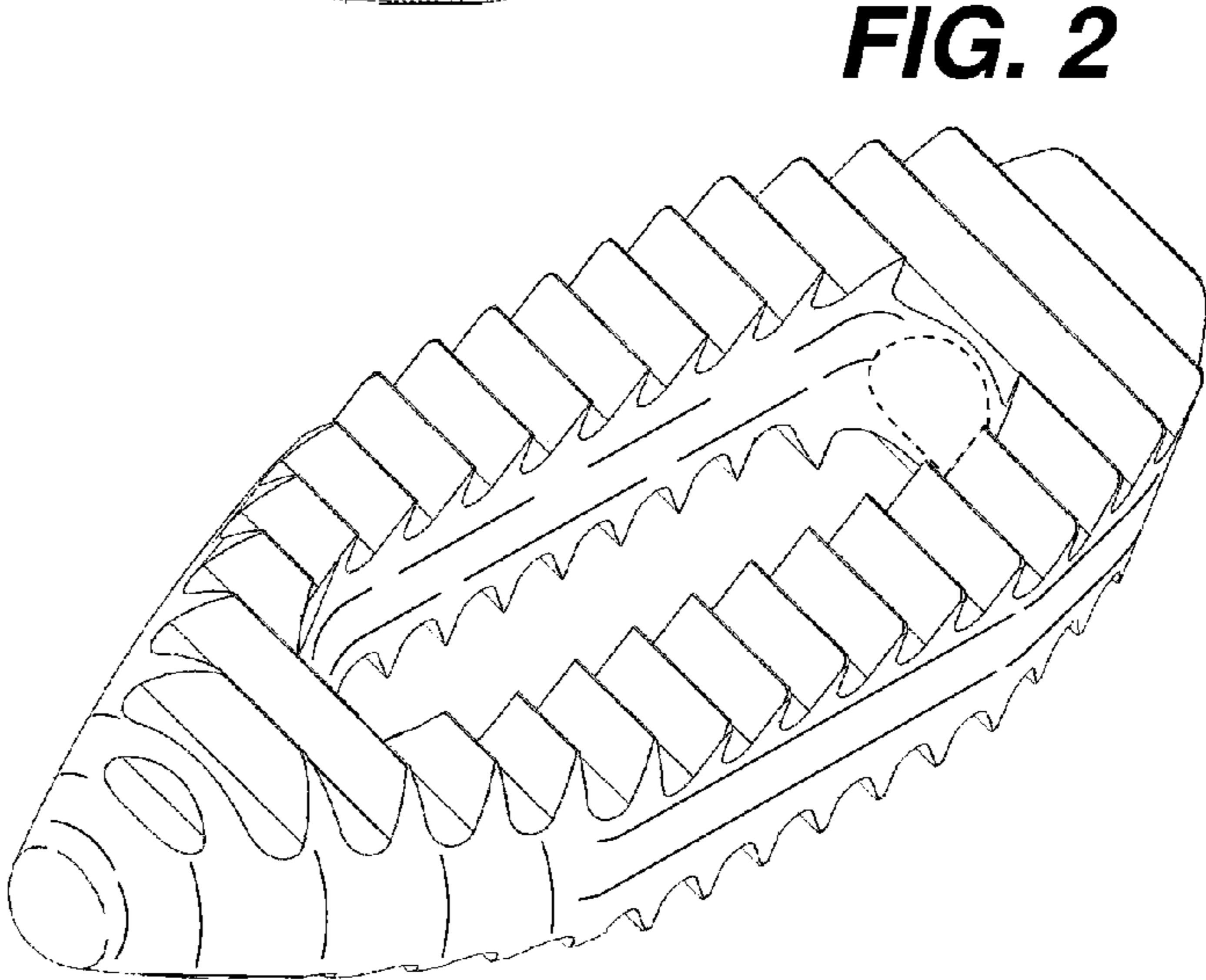


FIG. 2

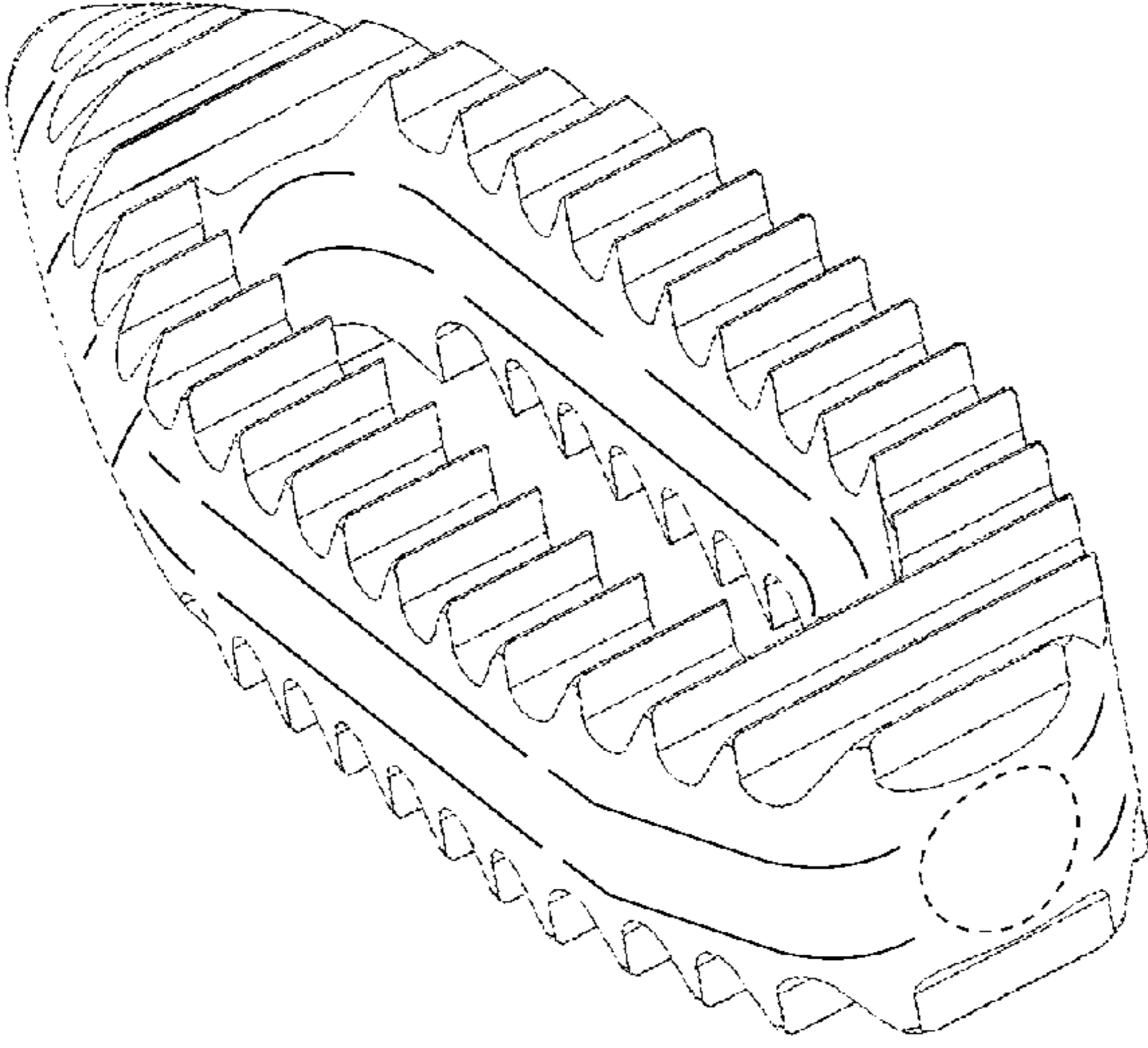


FIG. 3

FIG. 4

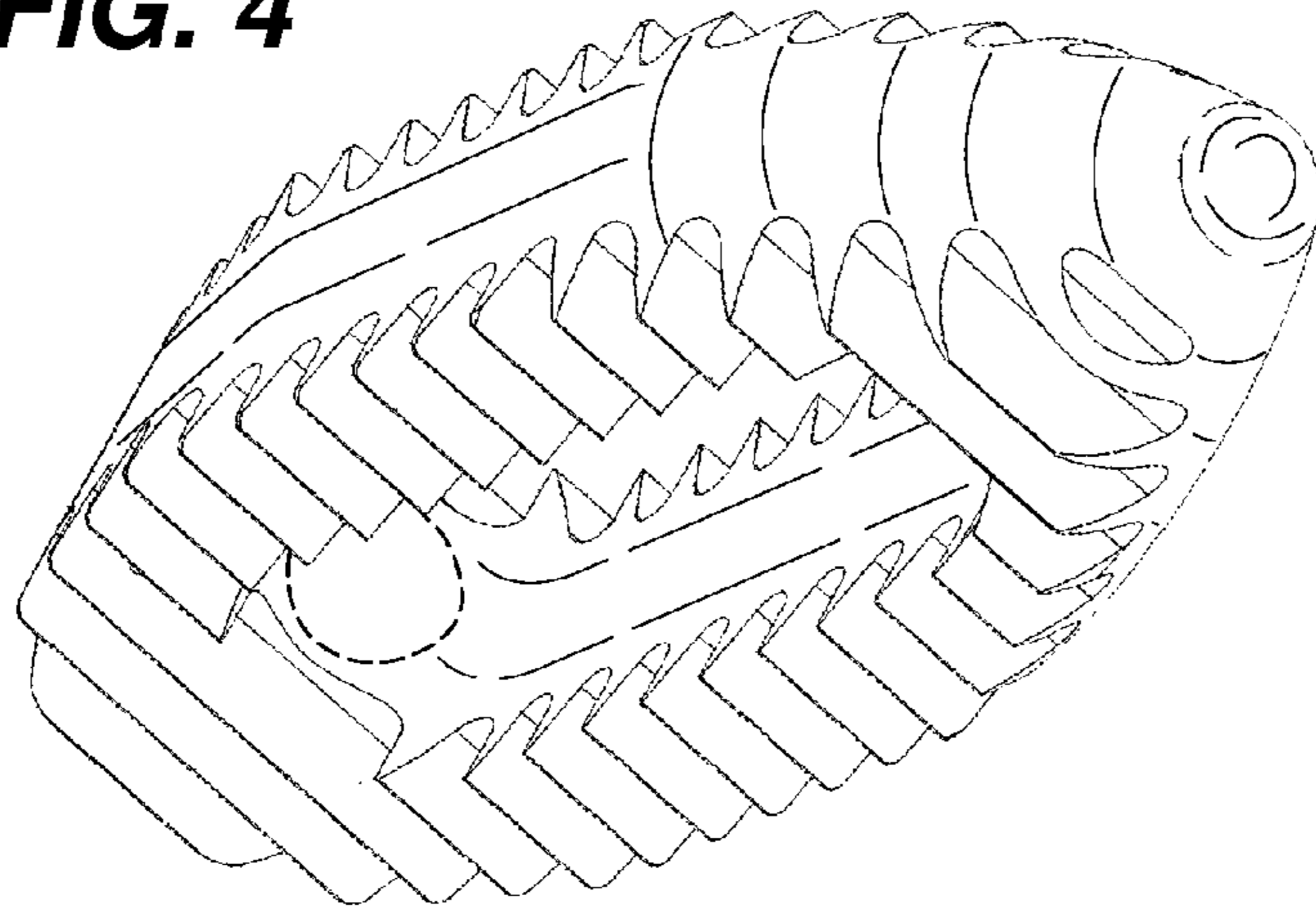


FIG. 5

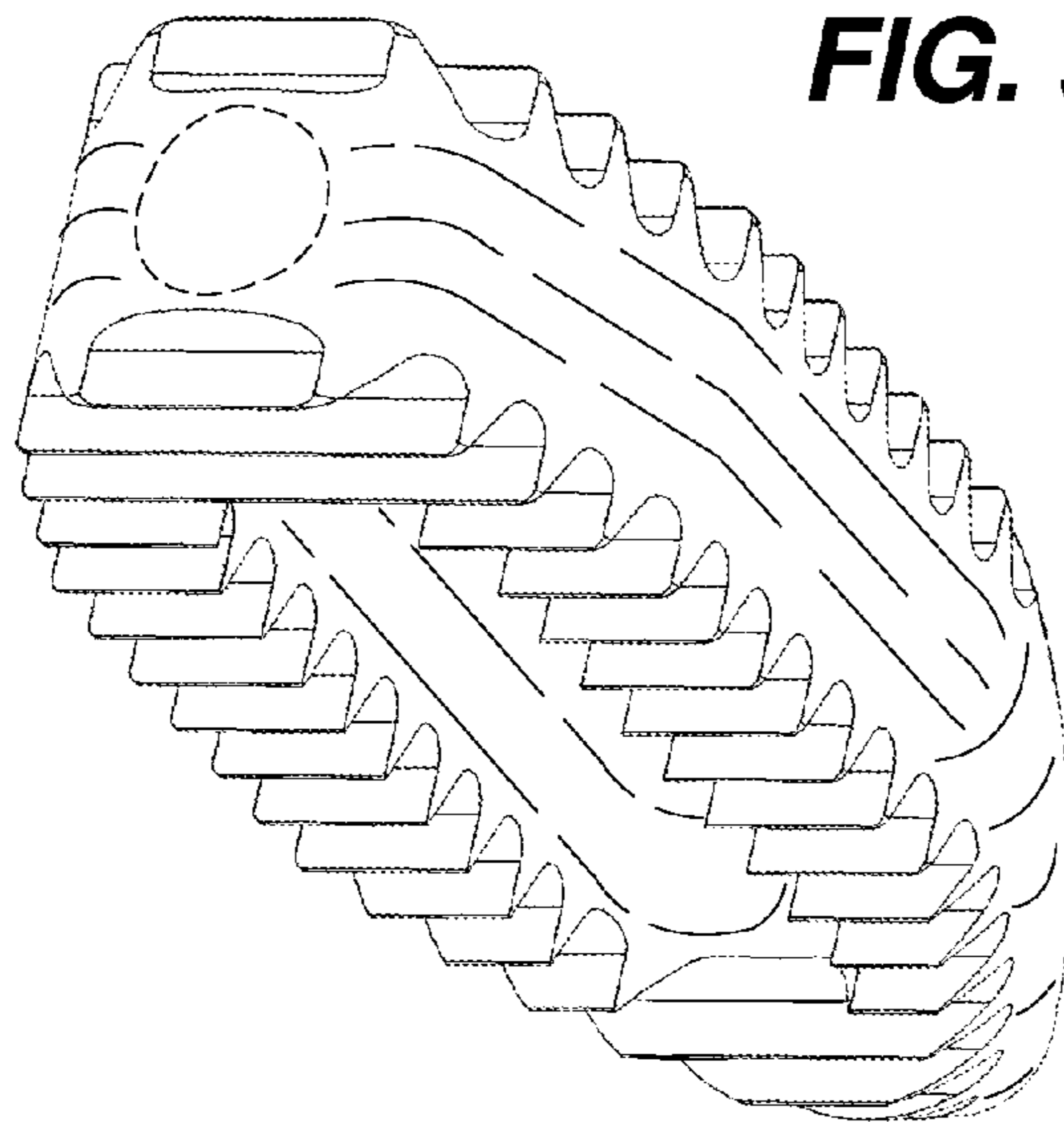


FIG. 6

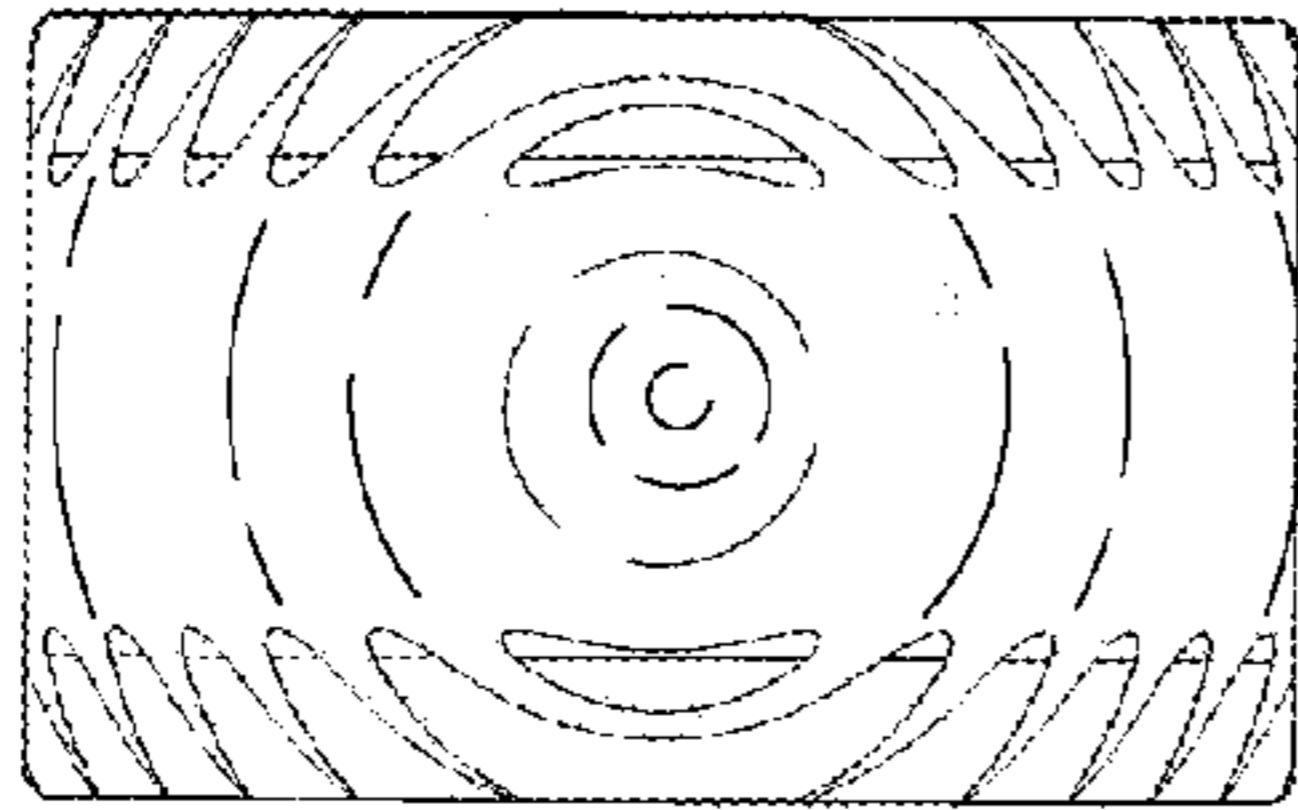


FIG. 7

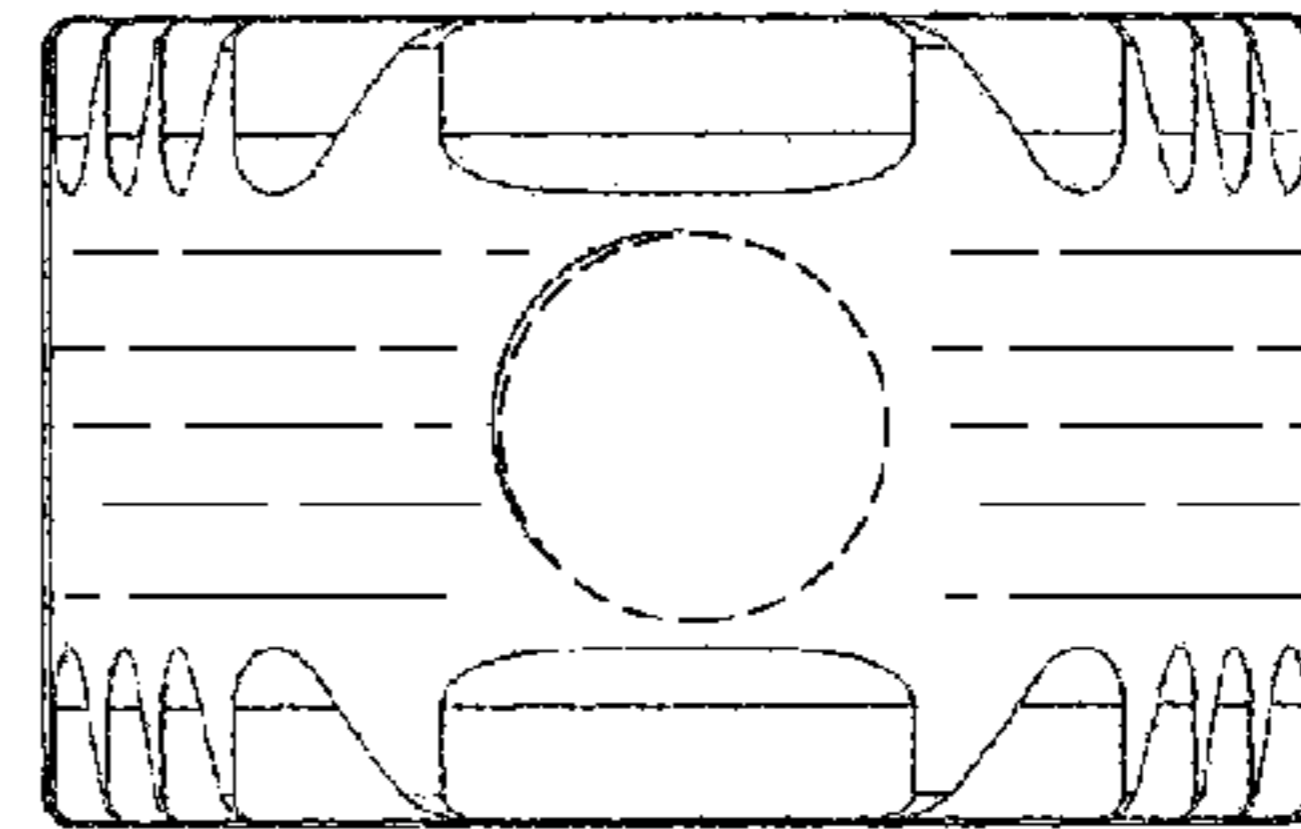


FIG. 8

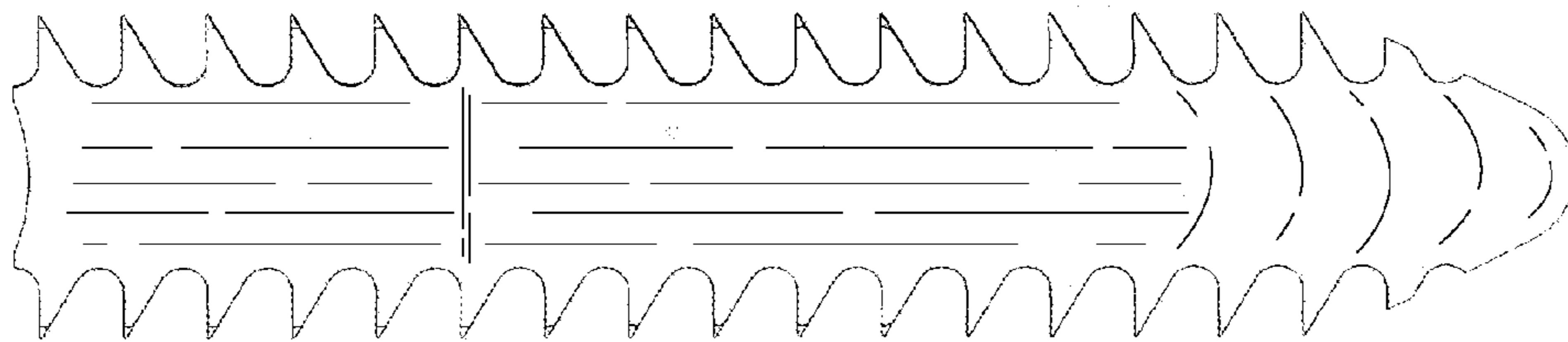


FIG. 9

