



US00D674899S

(12) **United States Design Patent**
Kuschnigg et al.

(10) **Patent No.:** **US D674,899 S**
(45) **Date of Patent:** **** Jan. 22, 2013**

(54) **PROSTHESIS**

(75) Inventors: **Peter Kuschnigg**, Neusiedl am Steinfeld (AT); **Thomas Bertels**, Duderstadt (DE)

(73) Assignee: **Otto Bock Healthcare GmbH**, Duderstadt (DE)

(**) Term: **14 Years**

(21) Appl. No.: **29/400,528**

(22) Filed: **Aug. 30, 2011**

Related U.S. Application Data

(62) Division of application No. 29/360,604, filed on Apr. 28, 2010, now Pat. No. Des. 657,466.

(51) **LOC (9) Cl.** **24-02**

(52) **U.S. Cl.** **D24/155**

(58) **Field of Classification Search** D24/155-157;
623/29, 38, 53, 55-57, 64, 17.11, 19.11,
623/44

See application file for complete search history.

(56) **References Cited**

U.S. PATENT DOCUMENTS

D383,542 S *	9/1997	Wellershaus et al.	D24/155
D499,487 S *	12/2004	Bedard et al.	D24/155
D522,142 S *	5/2006	Boiten	D24/155
D523,959 S *	6/2006	Muehlenberend	D24/155
D525,709 S *	7/2006	Boiten	D24/155
D526,412 S *	8/2006	Harn et al.	D24/155
D527,458 S *	8/2006	Harn et al.	D24/155
D553,741 S *	10/2007	Chen	D24/155
D632,790 S *	2/2011	Cheng	D24/155

OTHER PUBLICATIONS

VASI (date unknown).
Hosmer Friction Elbow (date unknown).
RSL Steeper (date unknown).
Otto Bock (date unknown).
RSL Steeper, Specialist Elbow Systems and Shoulders (date unknown).
Exhibit 1 (date unknown).
Exhibit 2 (date unknown).

* cited by examiner

Primary Examiner — Ian Simmons

Assistant Examiner — Charles Hanson

(74) *Attorney, Agent, or Firm* — Holland & Hart LLP

(57) **CLAIM**

The ornamental design for a prosthesis, as shown and described.

DESCRIPTION

FIG. 1 is a first perspective view of a prosthesis according to the present invention;

FIG. 2 is another perspective view thereof;

FIG. 3 is another perspective view thereof;

FIG. 4 is front view thereof;

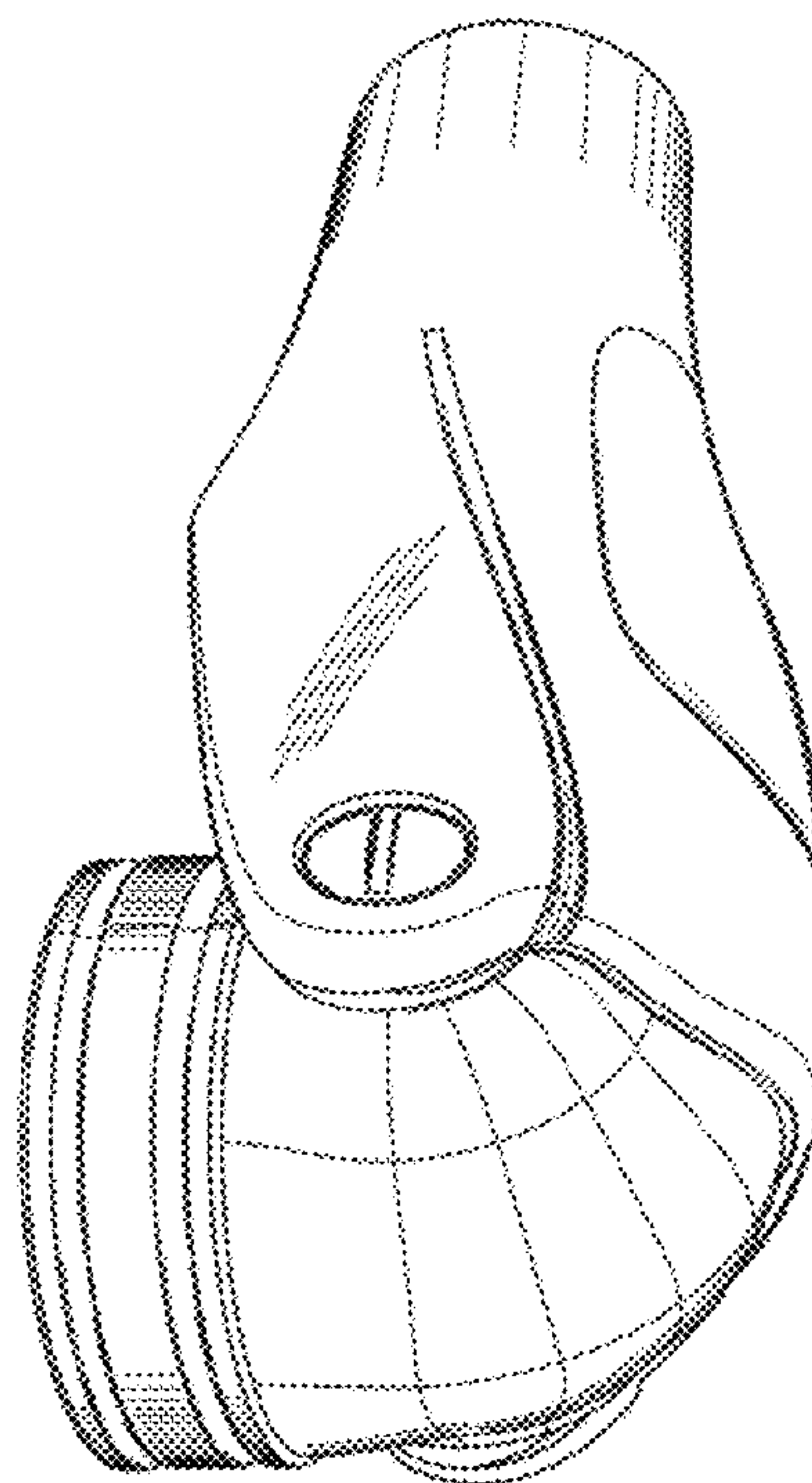
FIG. 5 is rear view thereof;

FIG. 6 is left side view thereof; and,

FIG. 7 is top view thereof.

The broken line showing is included for the purpose of illustrating environment and forms no part of the claimed design.

1 Claim, 7 Drawing Sheets



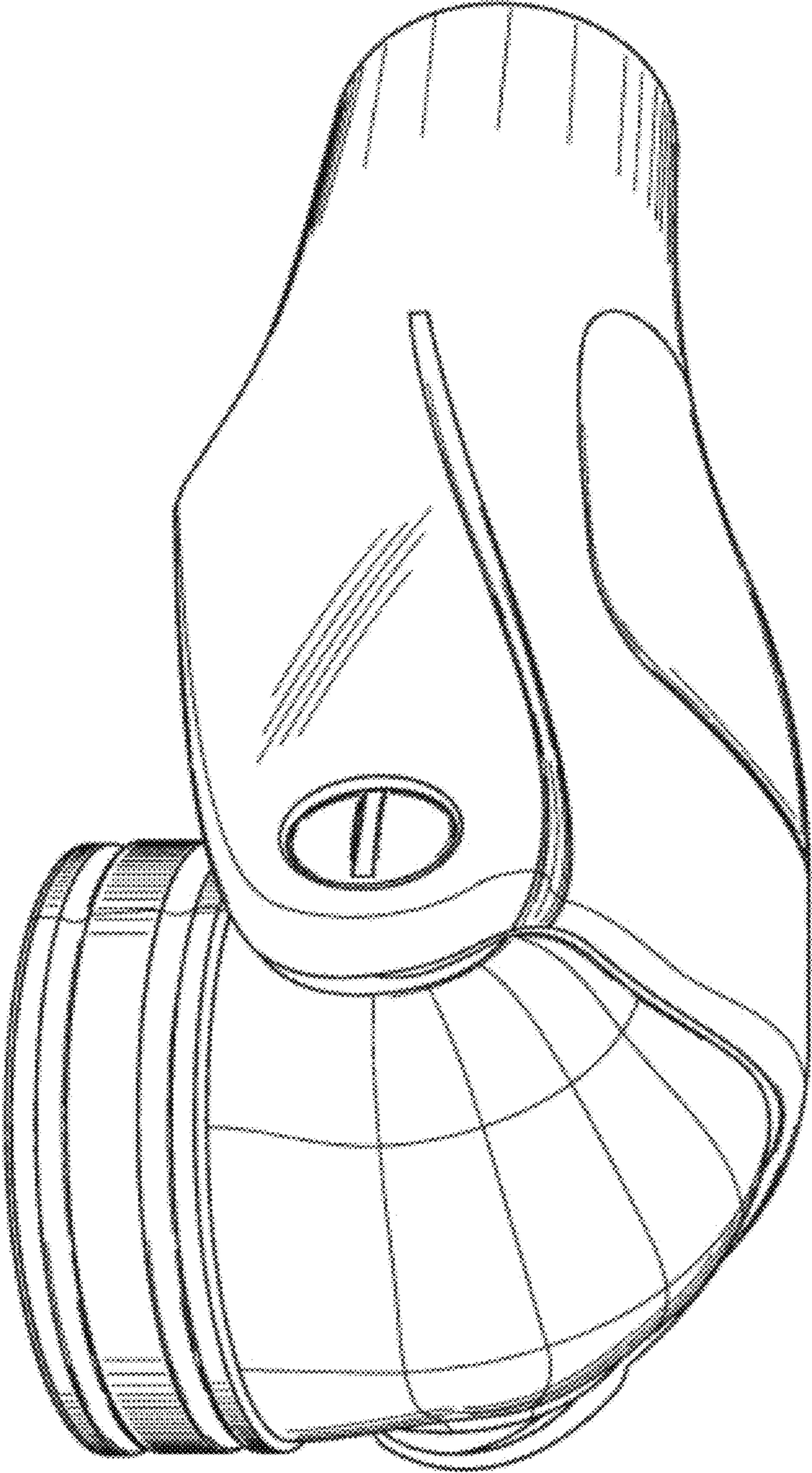


FIG. 1

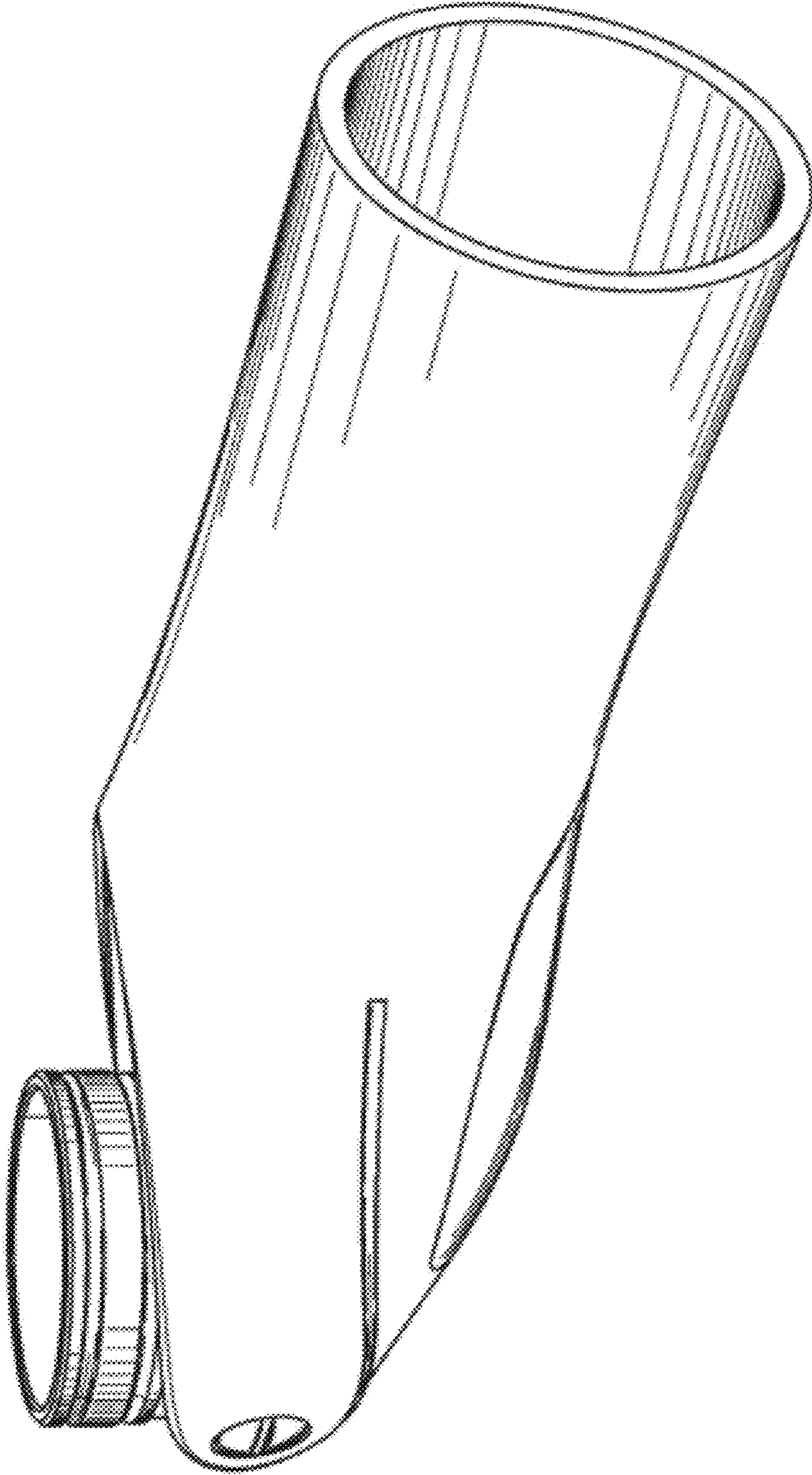


FIG. 2

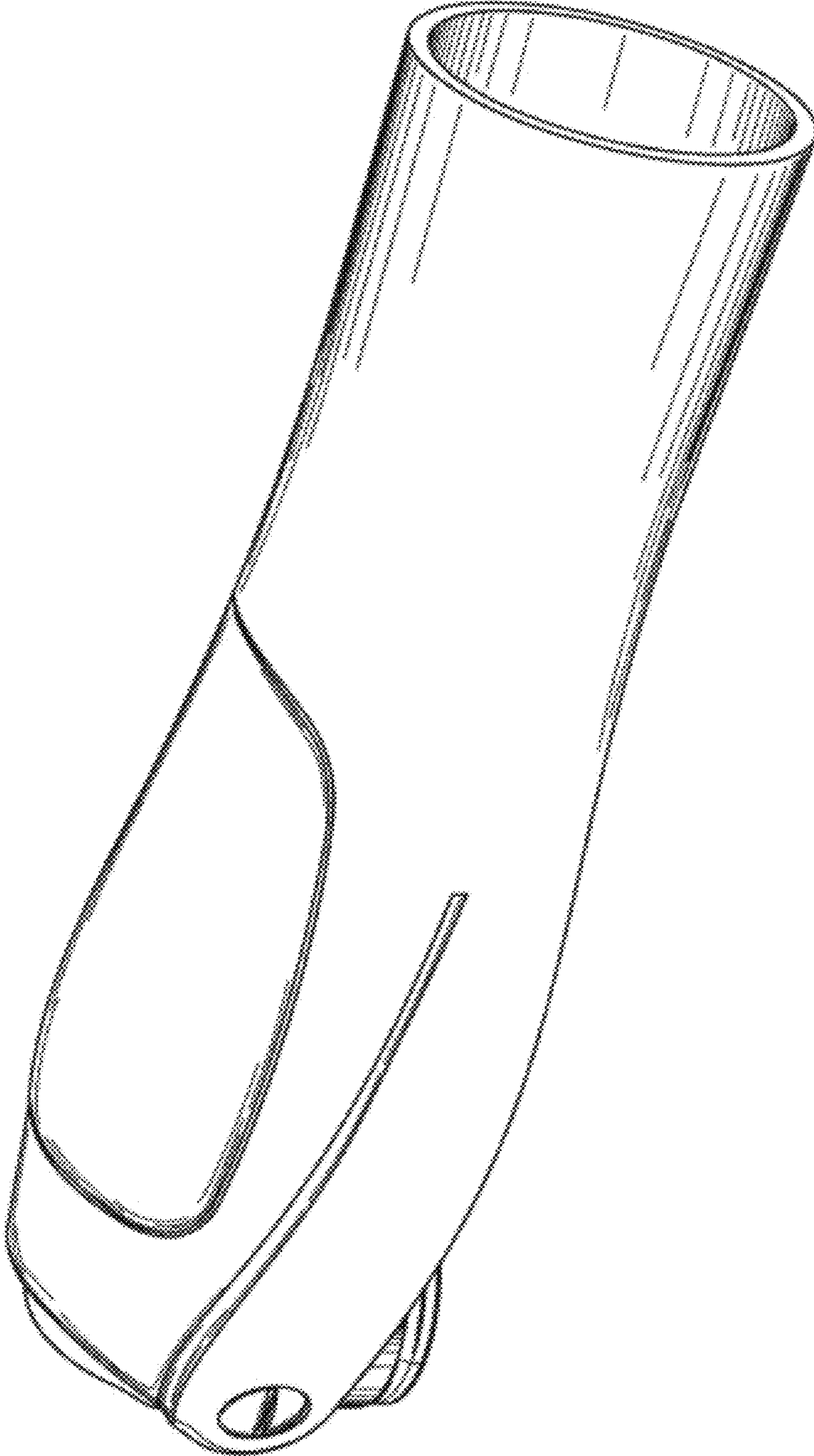


FIG. 3

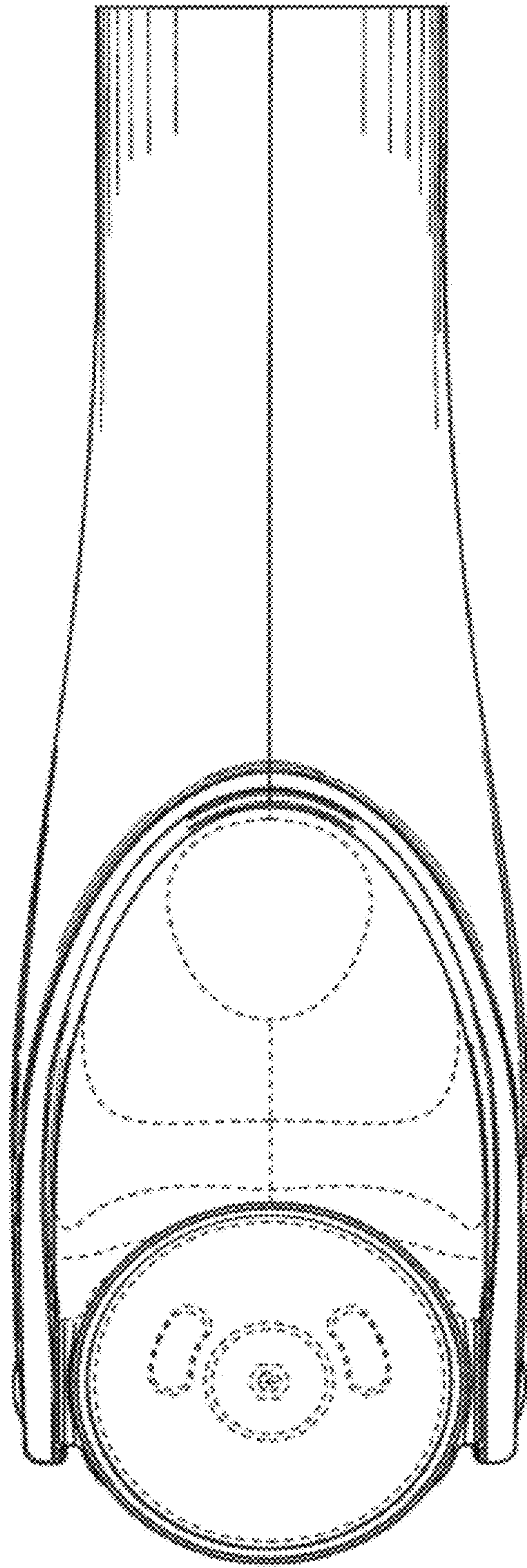


FIG. 4

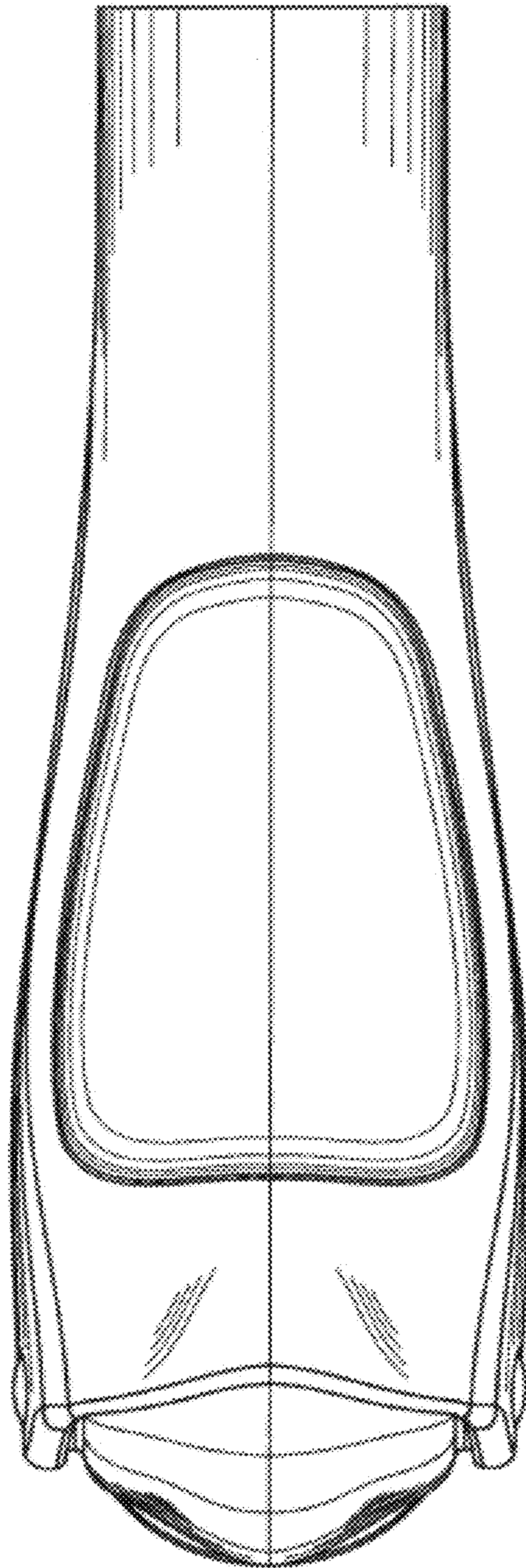


FIG. 5

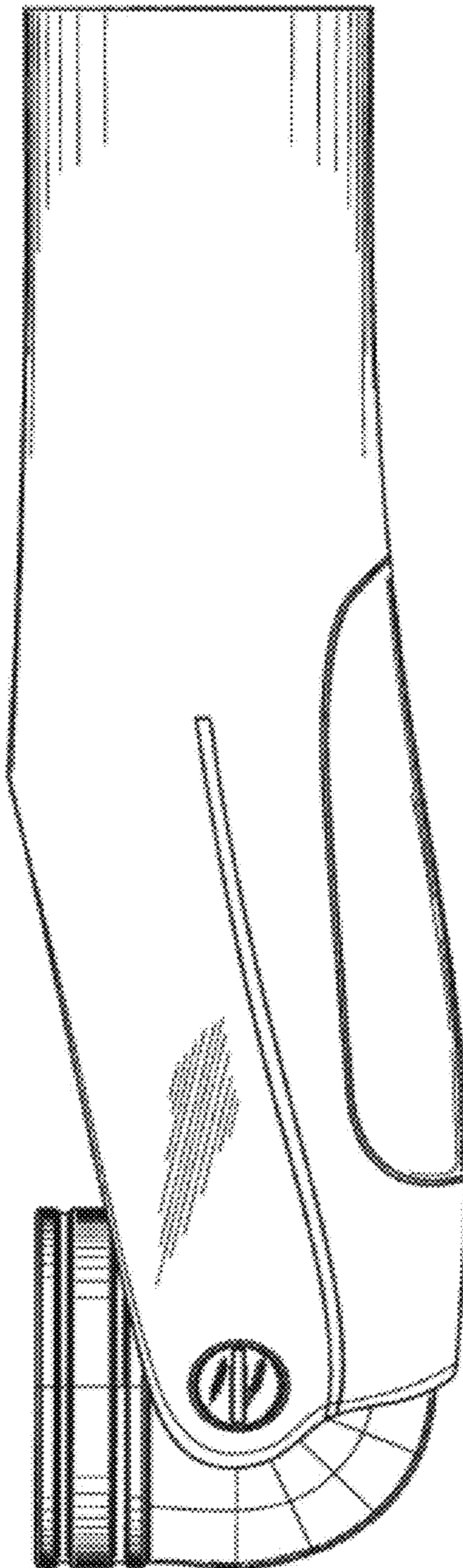


FIG. 6

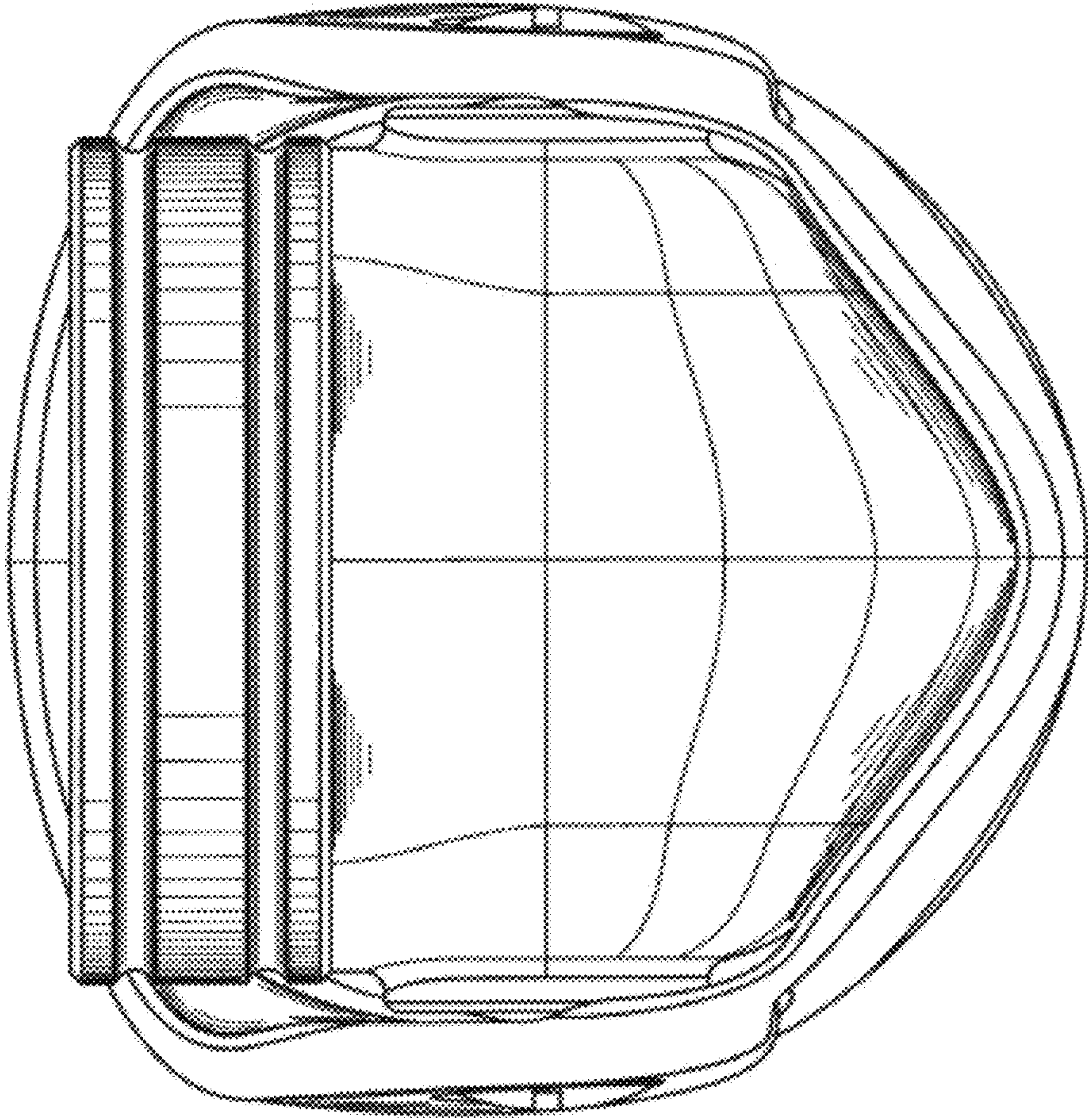


FIG. 7