



US00D674898S

(12) **United States Design Patent**  
**Mühlenberend**

(10) **Patent No.:** **US D674,898 S**

(45) **Date of Patent:** **\*\* Jan. 22, 2013**

(54) **PROSTHESIS**

(75) Inventor: **Andreas Mühlenberend**, Dresden (DE)

(73) Assignee: **Otto Bock Healthcare GmbH**,  
Duderstadt (DE)

(\*\*) Term: **14 Years**

(21) Appl. No.: **29/377,655**

(22) Filed: **Oct. 25, 2010**

(30) **Foreign Application Priority Data**

Apr. 30, 2010 (EM) ..... 001702770

(51) **LOC (9) Cl.** ..... **24-02**

(52) **U.S. Cl.** ..... **D24/155**

(58) **Field of Classification Search** ..... D24/155,  
D24/156, 133, 152, 154, 135, 144-146, 151;  
606/194, 198; 623/23.54, 23.7, 1.15, 903;  
604/1.02, 103.02

See application file for complete search history.

(56) **References Cited**

**U.S. PATENT DOCUMENTS**

D439,339 S *	3/2001	Sawatzki	.....	D24/155
D446,304 S *	8/2001	Sawatzki et al.	.....	D24/155
D522,142 S *	5/2006	Boiten	.....	D24/155
D523,959 S *	6/2006	Muehlenberend	.....	D24/155
D525,709 S *	7/2006	Boiten	.....	D24/155
D526,062 S *	8/2006	Harn et al.	.....	D24/155

D526,412 S *	8/2006	Harn et al.	.....	D24/155
D527,458 S *	8/2006	Harn et al.	.....	D24/155
D553,741 S *	10/2007	Chen	.....	D24/155
D592,749 S *	5/2009	Muhlenberend	.....	D24/155
D632,790 S *	2/2011	Cheng	.....	D24/155

**OTHER PUBLICATIONS**

Otto Bock brochure, showing a forerunner model.

\* cited by examiner

*Primary Examiner* — Ian Simmons

*Assistant Examiner* — Charles Hanson

(74) *Attorney, Agent, or Firm* — Holland & Hart LLP

(57) **CLAIM**

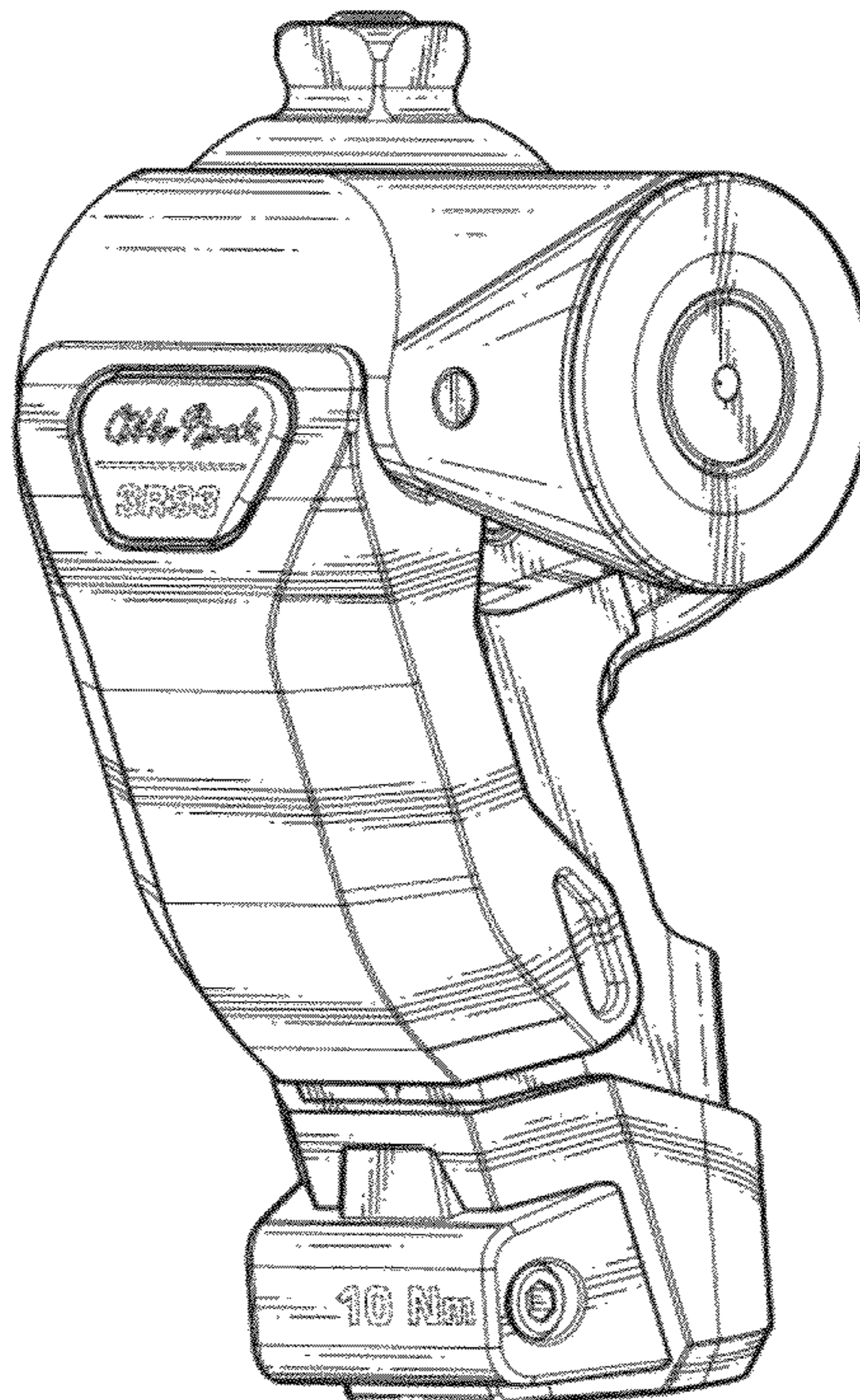
The ornamental design for a prosthesis, as shown and described.

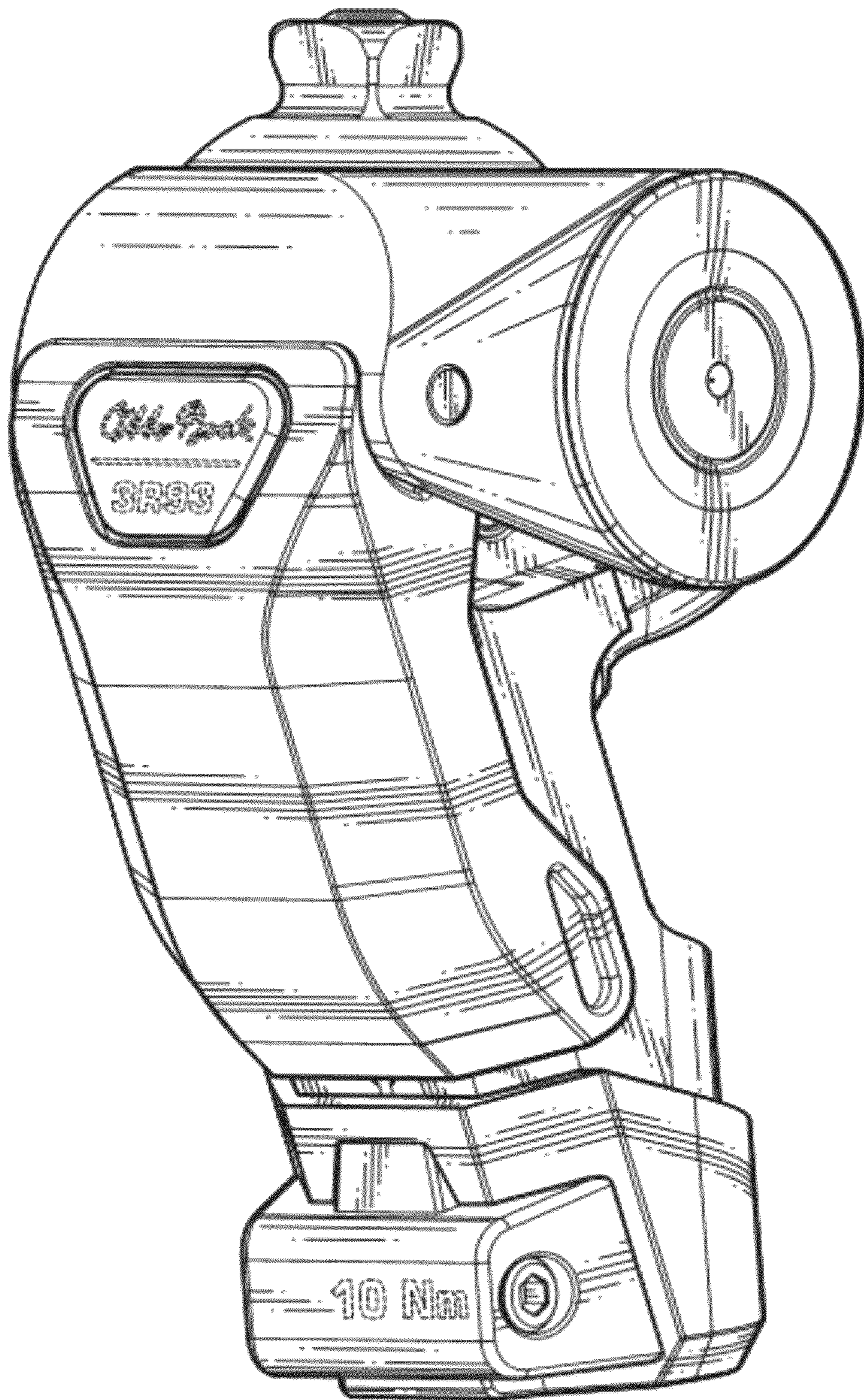
**DESCRIPTION**

FIG. 1 is a perspective view of a prosthesis according to the present invention;  
FIG. 2 is a front view thereof;  
FIG. 3 is a right side view thereof;  
FIG. 4 is a top view thereof;  
FIG. 5 is a left side view thereof;  
FIG. 6 is a bottom view thereof; and,  
FIG. 7 is a rear view thereof.

The broken line showing of is included for the purpose of illustrating environment and forms no part of the claimed design.

**1 Claim, 3 Drawing Sheets**





**FIG. 1**

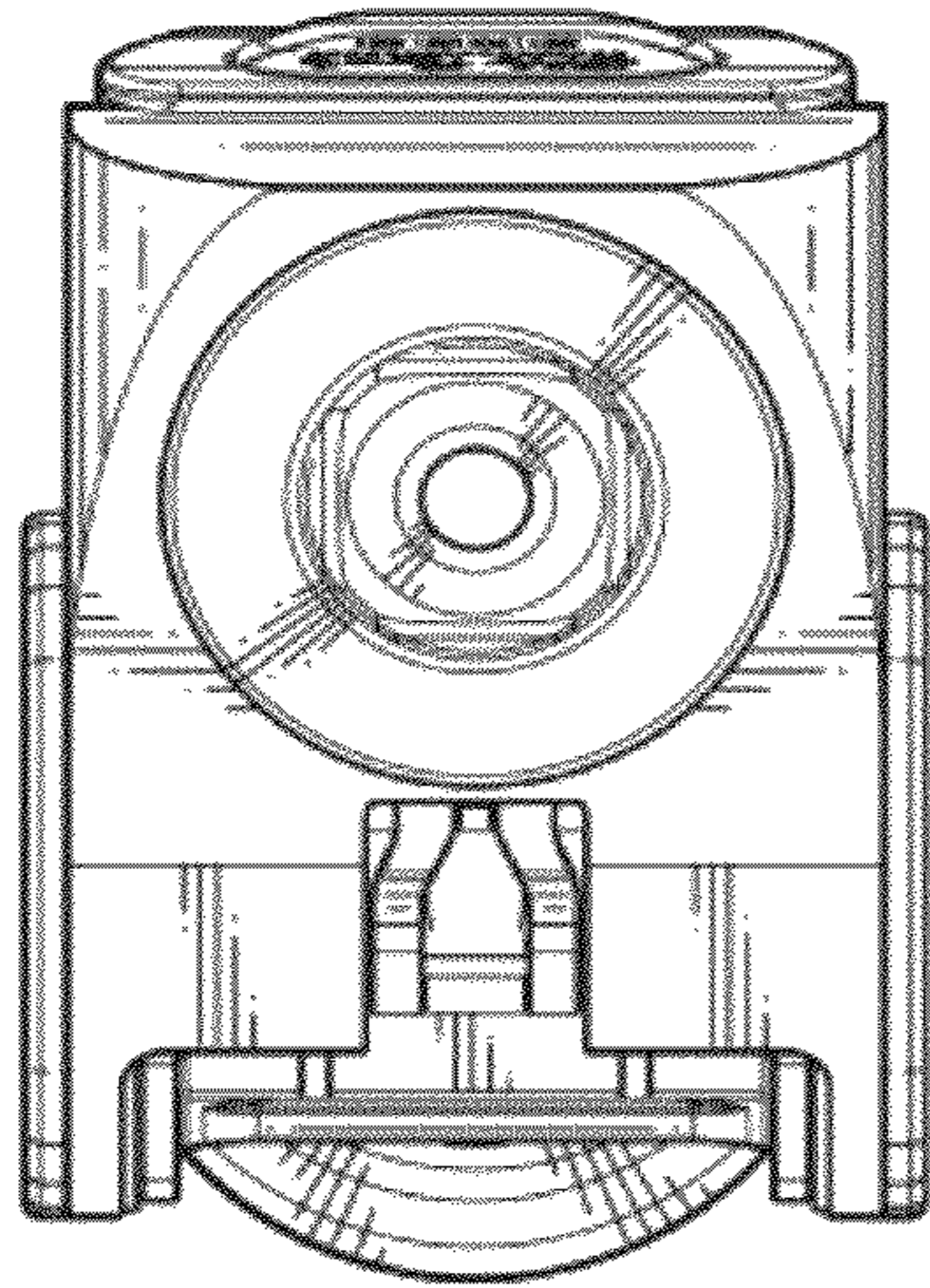


FIG. 4

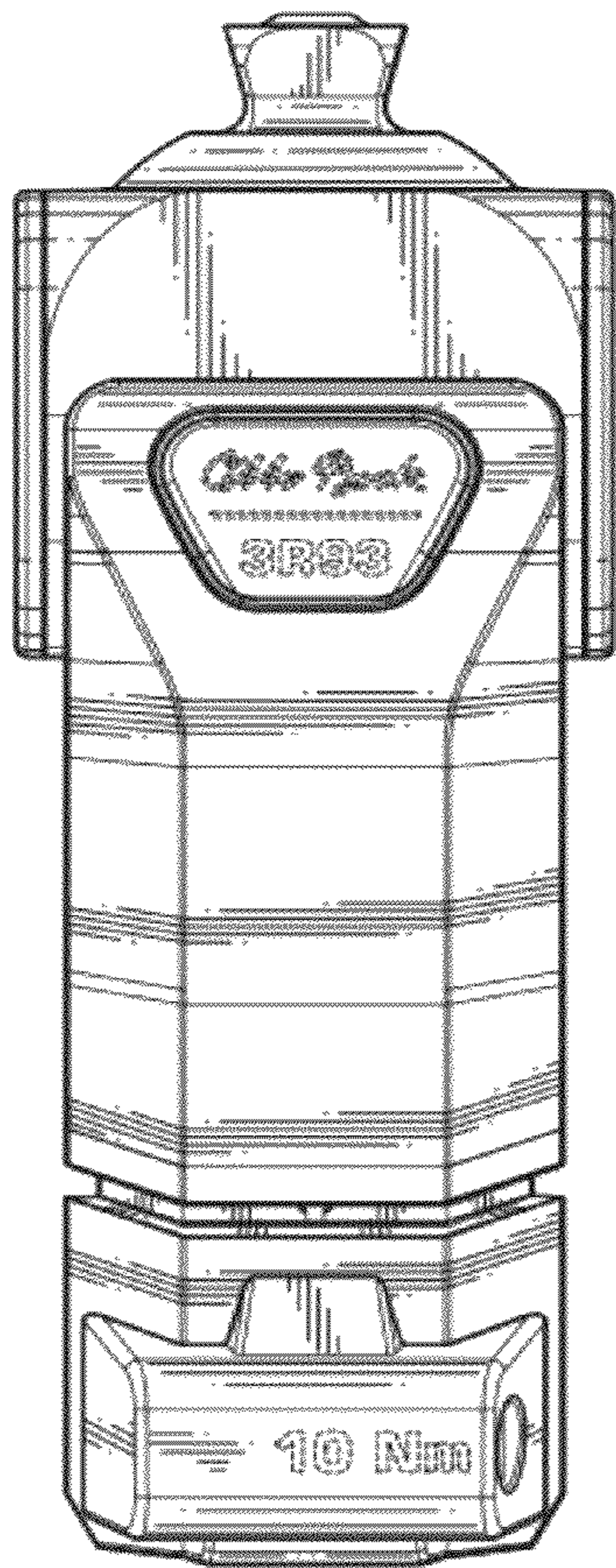


FIG. 2

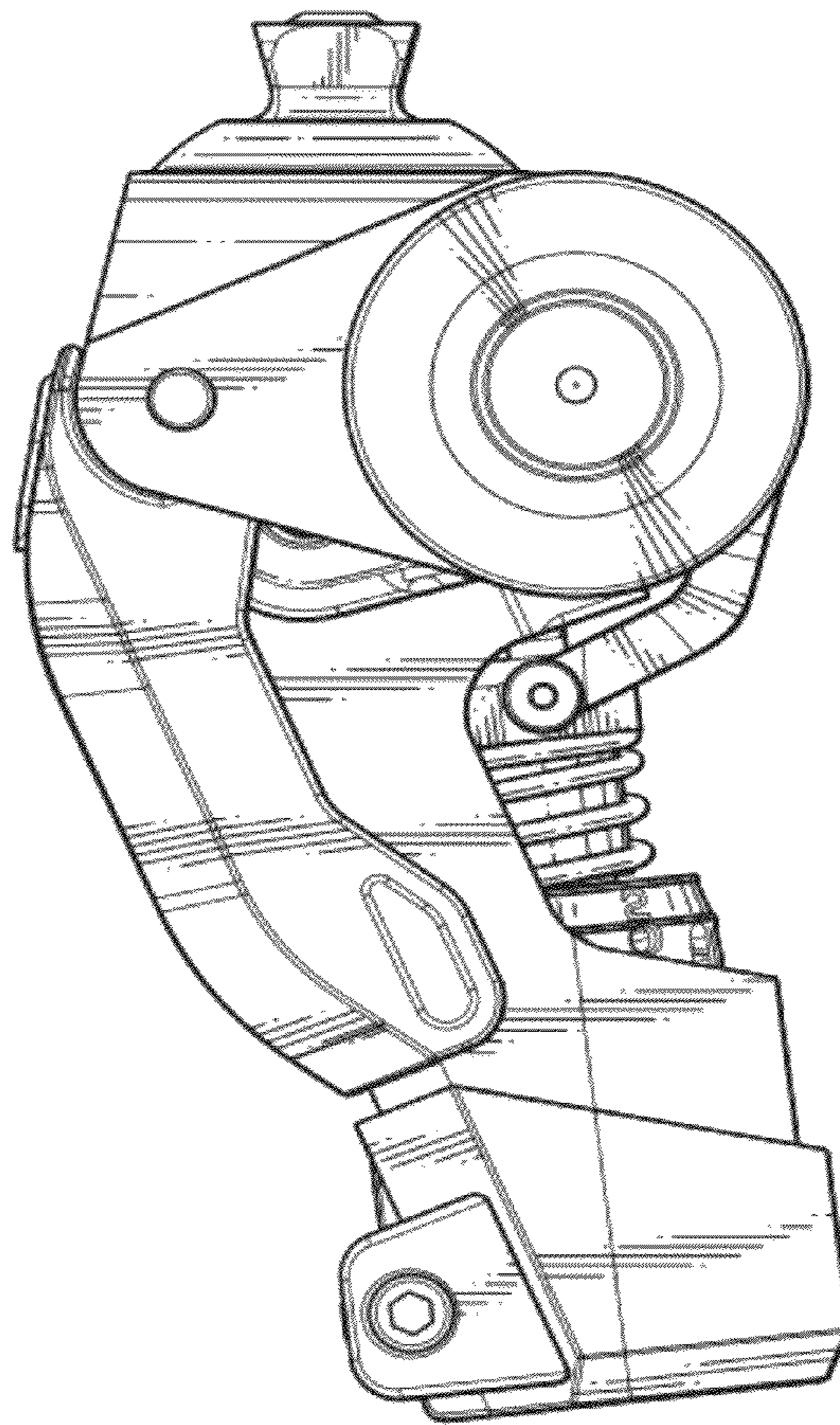
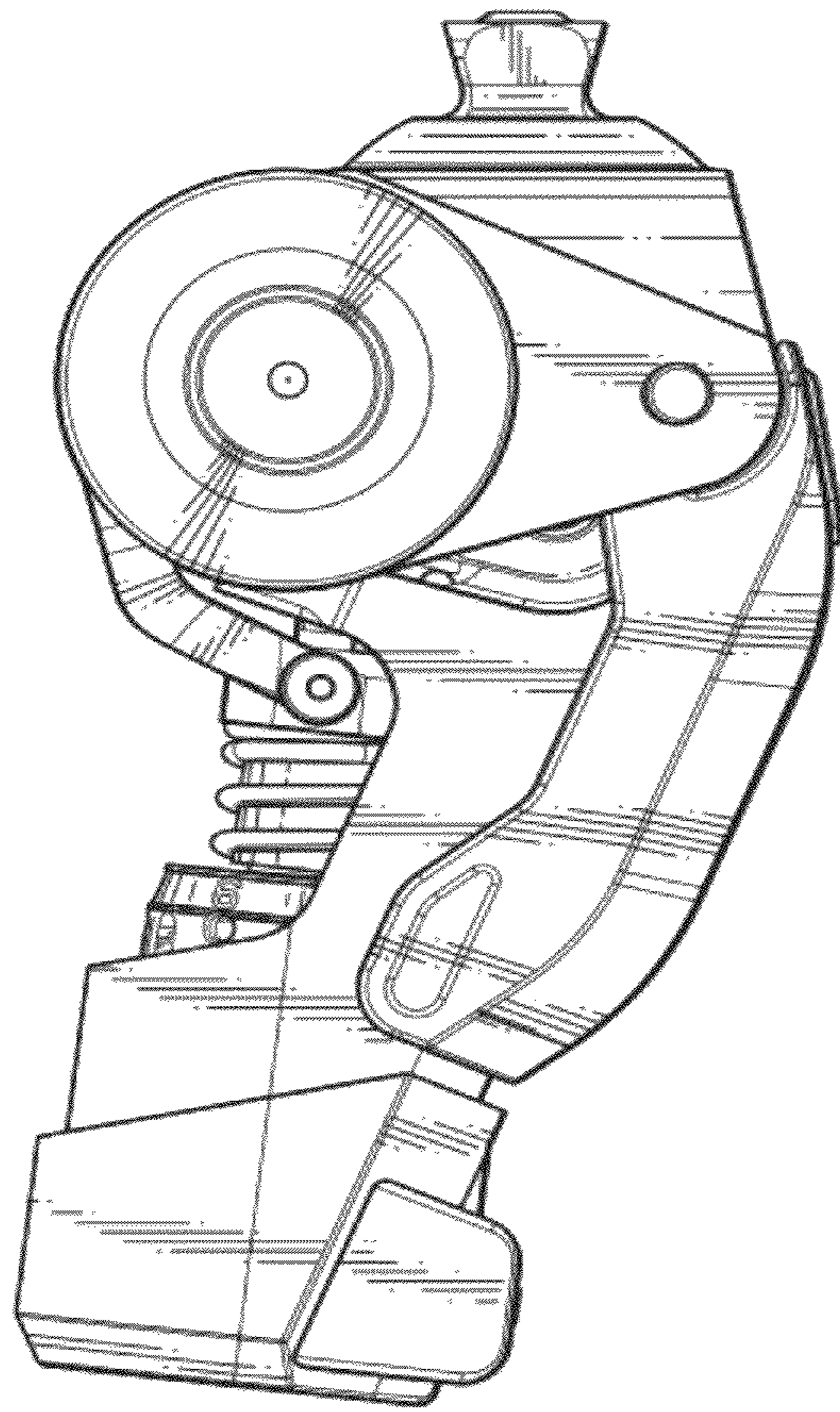
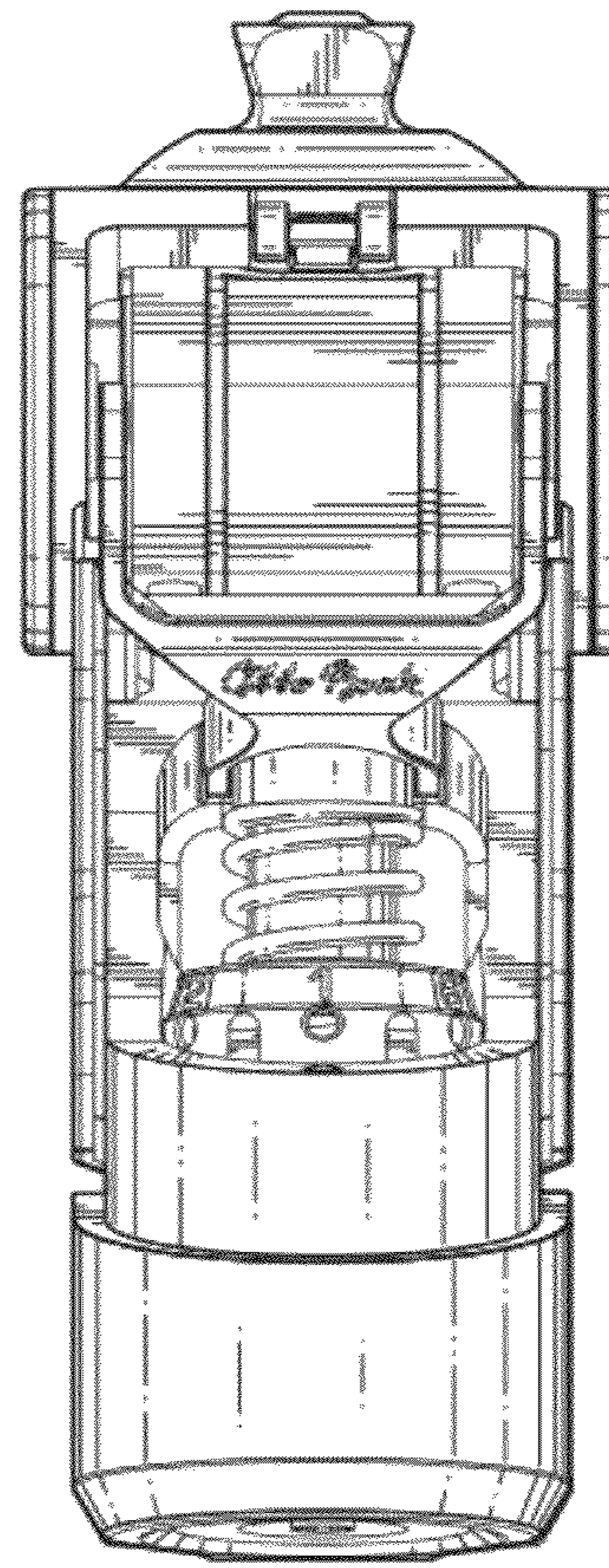


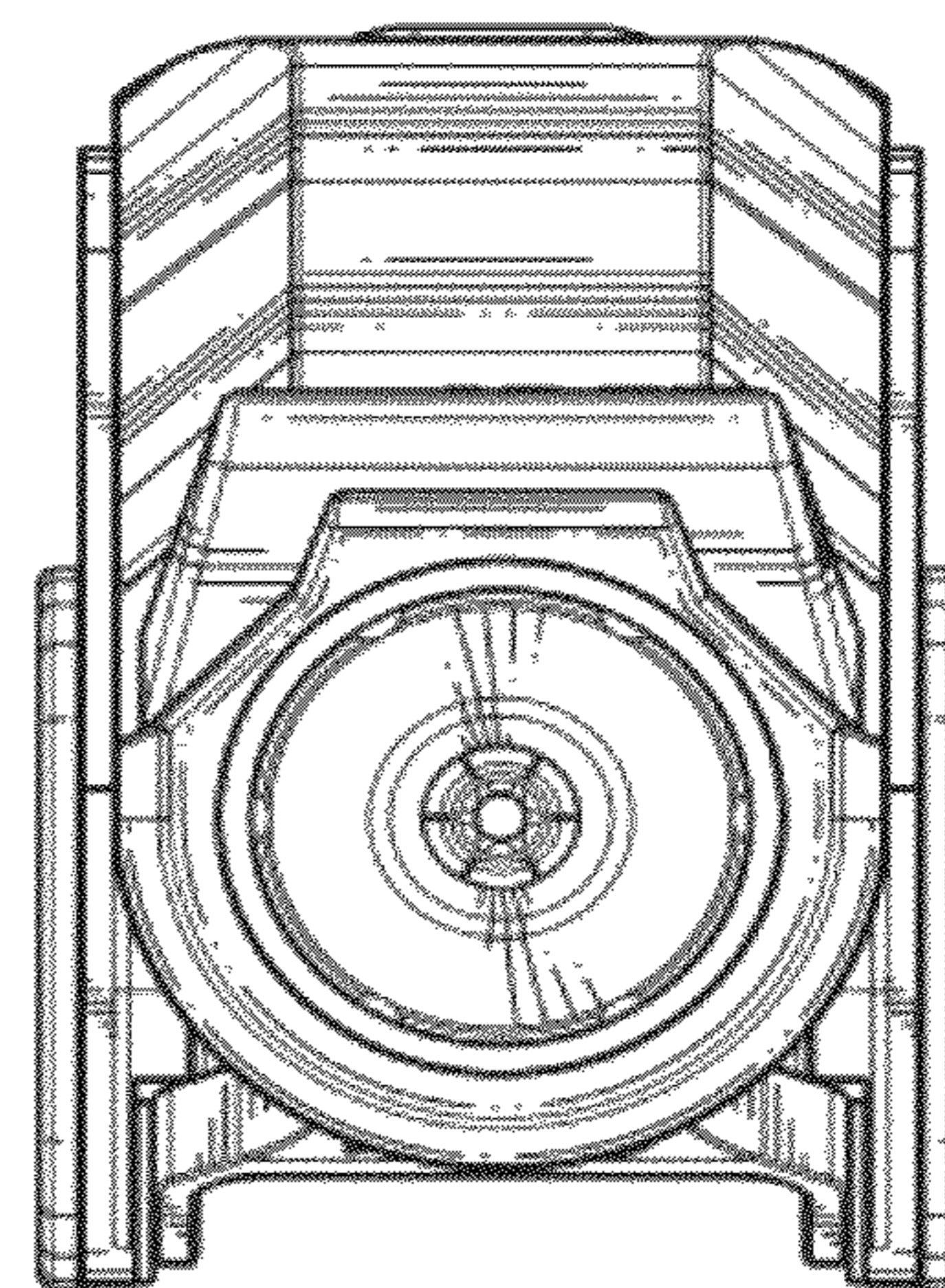
FIG. 3



**FIG. 5**



**FIG. 7**



**FIG. 6**