



US00D674896S

(12) **United States Design Patent**
Bender et al.

(10) **Patent No.:** **US D674,896 S**
(45) **Date of Patent:** **** *Jan. 22, 2013**

(54) **TIP PORTION OF A SURGICAL RETRACTOR BLADE**

(75) Inventors: **Nicholas J. Bender**, Raleigh, NC (US);
David Barry, Teaneck, NJ (US); **Oliver Buchert**, Franklin Lakes, NJ (US);
Christopher Meyer, St. Louis, MO (US)

(73) Assignee: **EBI, LLC**, Parsippany, NJ (US)

(*) Notice: This patent is subject to a terminal disclaimer.

(**) Term: **14 Years**

(21) Appl. No.: **29/368,442**

(22) Filed: **Aug. 24, 2010**

Related U.S. Application Data

(63) Continuation of application No. 29/326,663, filed on Oct. 22, 2008, now Pat. No. Des. 626,223.

(51) **LOC (9) Cl.** **24-02**

(52) **U.S. Cl.** **D24/135**

(58) **Field of Classification Search** D24/133,
D24/135, 140, 147; 600/201, 202, 210, 227,
600/212, 215, 206, 245, 226, 235; 606/160,
606/84

See application file for complete search history.

(56) **References Cited**

U.S. PATENT DOCUMENTS

659,182	A *	10/1900	Pilling	600/226
4,610,243	A *	9/1986	Ray	600/206
4,926,849	A	5/1990	Downey	
5,351,680	A *	10/1994	Jung	600/214
5,512,038	A	4/1996	O'Neal et al.	
5,616,117	A	4/1997	Dinkler et al.	
5,728,046	A	3/1998	Mayer et al.	
5,795,291	A	8/1998	Koros et al.	
5,813,978	A	9/1998	Jako	
5,828,139	A	10/1998	Slater	
5,882,298	A	3/1999	Sharratt	
5,908,382	A	6/1999	Koros et al.	
5,944,658	A	8/1999	Koros et al.	

(Continued)

FOREIGN PATENT DOCUMENTS

DE 20119971 3/2002

(Continued)

OTHER PUBLICATIONS

Partial European Search Report regarding EP 09013262.2; mail date Jan. 18, 2010.

(Continued)

Primary Examiner — Ian Simmons

Assistant Examiner — Charles D Hanson

(74) *Attorney, Agent, or Firm* — Harness, Dickey

(57) **CLAIM**

The ornamental design for a tip portion of a surgical retractor blade, as shown and described.

DESCRIPTION

FIG. 1 is a perspective view of a tip portion of a surgical retractor blade in accordance with our design.

FIG. 2 is a top view thereof.

FIG. 3 is a left side view thereof, it being understood that the opposite side is a mirror image thereof.

FIG. 4 is bottom view thereof.

FIG. 5 is a rear view thereof.

FIG. 6 is a front view thereof.

FIG. 7 is a perspective view of a tip portion of a surgical retractor blade in accordance with our design, it being understood that the tip is constructed of a translucent material.

FIG. 8 is a top view thereof.

FIG. 9 is a left side view thereof, it being understood that the opposite side is a mirror image thereof.

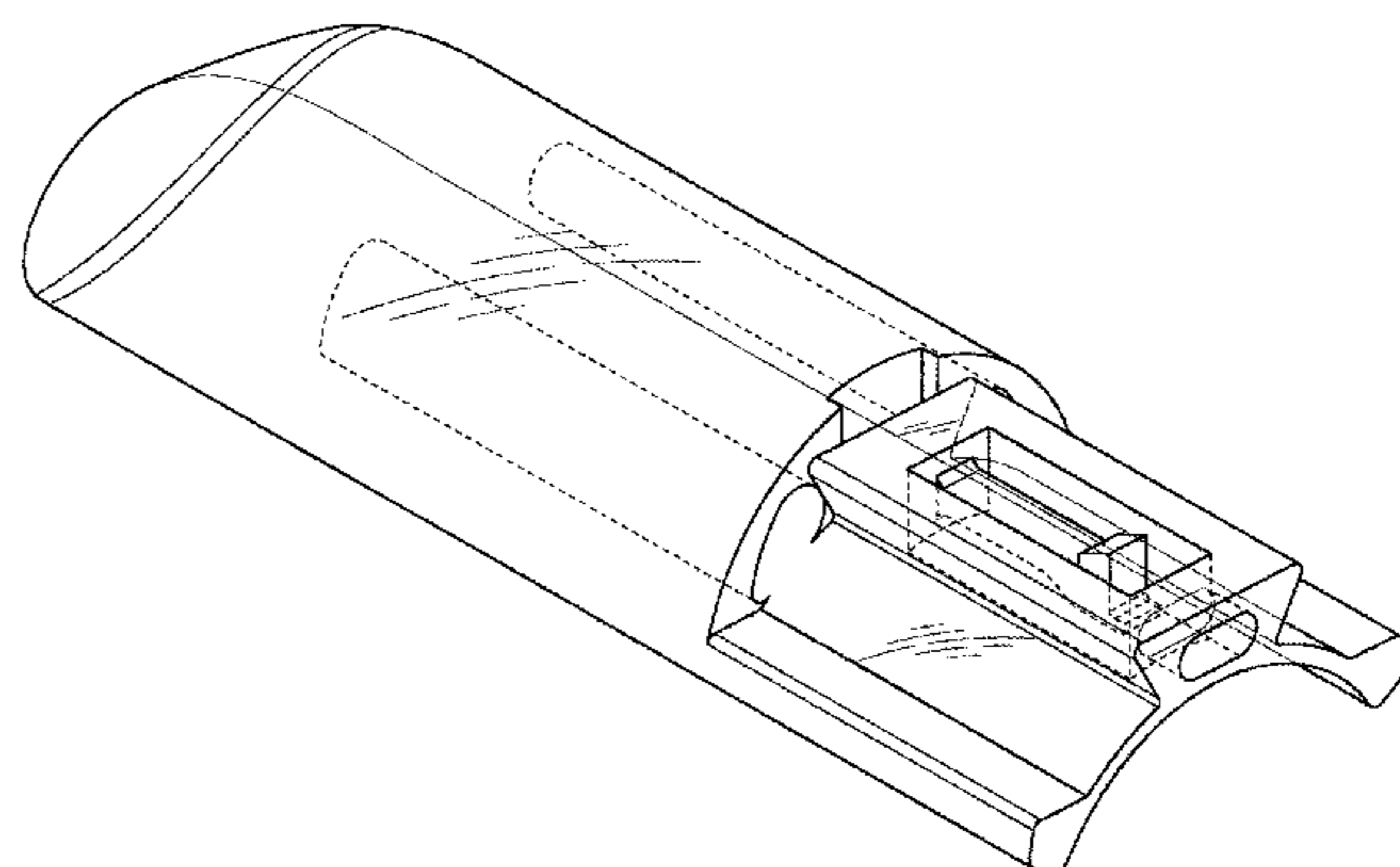
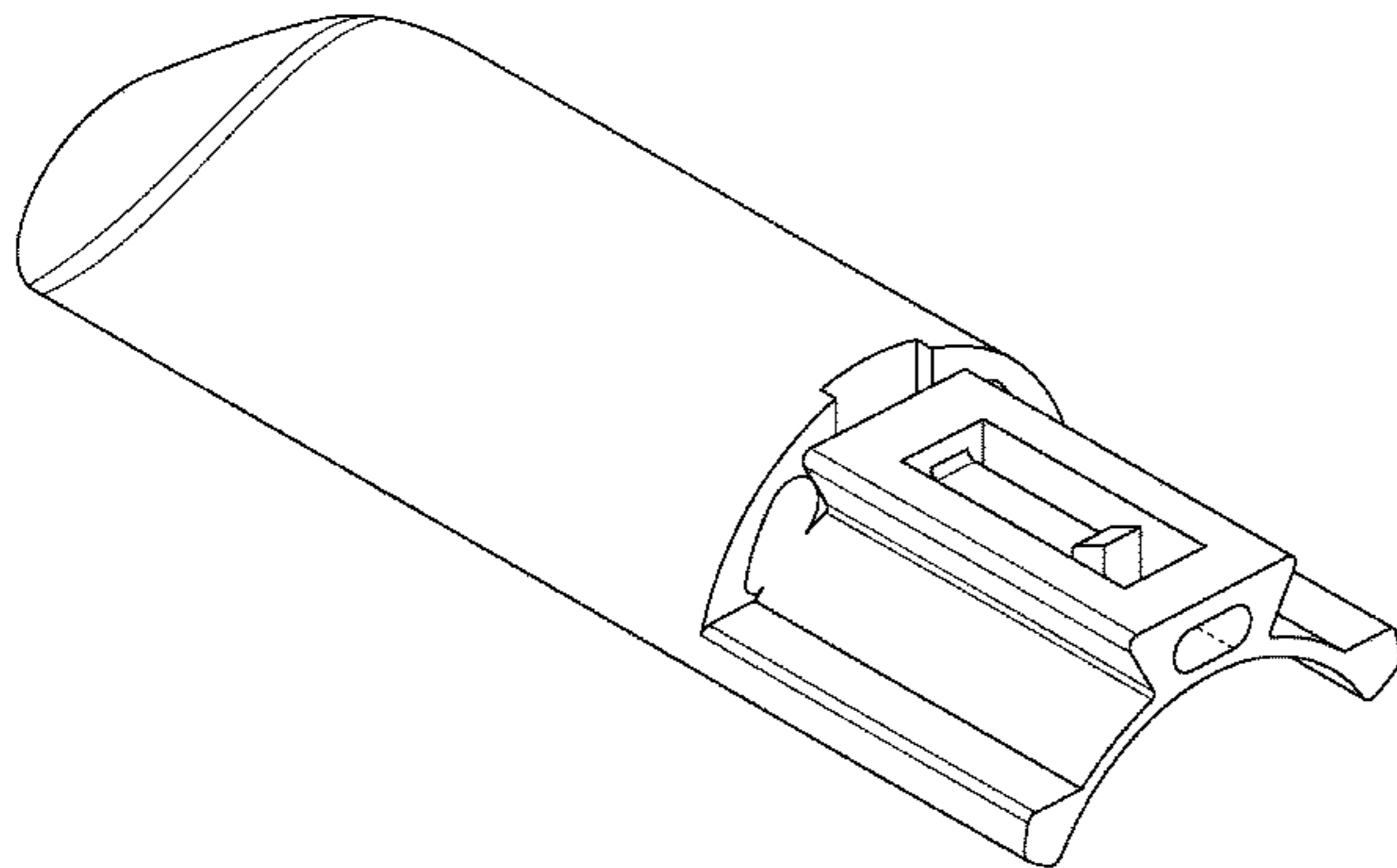
FIG. 10 is bottom view thereof.

FIG. 11 is a rear view thereof; and,

FIG. 12 is a front view thereof.

It being understood that the hidden lines shown throughout the drawings are for illustrative purposes only and form no part of the present invention.

1 Claim, 6 Drawing Sheets



US D674,896 S

Page 2

U.S. PATENT DOCUMENTS

D415,274 S 10/1999 Koros et al.
5,993,385 A 11/1999 Johnston et al.
D442,687 S * 5/2001 Schulz D24/135
6,224,545 B1 5/2001 Cocchia et al.
6,416,467 B1 7/2002 McMillin et al.
D475,975 S 6/2003 Fox
6,616,605 B2 9/2003 Wright et al.
6,712,795 B1 3/2004 Cohen
6,869,398 B2 3/2005 Obenchain et al.
6,945,933 B2 9/2005 Branch et al.
D568,471 S * 5/2008 Engler D24/135
D575,396 S * 8/2008 Wu D24/135
D589,145 S * 3/2009 Miller D24/135
2004/0176665 A1 9/2004 Branch et al.
2004/0215199 A1 10/2004 Zinkel
2005/0192485 A1 9/2005 Branch et al.
2005/0277812 A1 12/2005 Myles
2006/0052672 A1 3/2006 Landry et al.
2007/0073111 A1 3/2007 Bass

2007/0100212 A1 5/2007 Pimenta et al.
2007/0293729 A1 12/2007 Grey et al.
2008/0033251 A1 2/2008 Araghi
2008/0183046 A1 7/2008 Boucher et al.
2009/0018399 A1 1/2009 Martinelli et al.
2009/0069635 A1 3/2009 Gephart et al.
2009/0203969 A1 8/2009 Cohen et al.

FOREIGN PATENT DOCUMENTS

EP 143124 A1 6/1985
EP 1435219 A1 7/2004
WO WO-2005016131 A2 2/2005
WO WO-2006042241 A2 4/2006

OTHER PUBLICATIONS

International Search Report for corresponding application No. PCT/
US2007/023708; mail date Sep. 3, 2008.

* cited by examiner

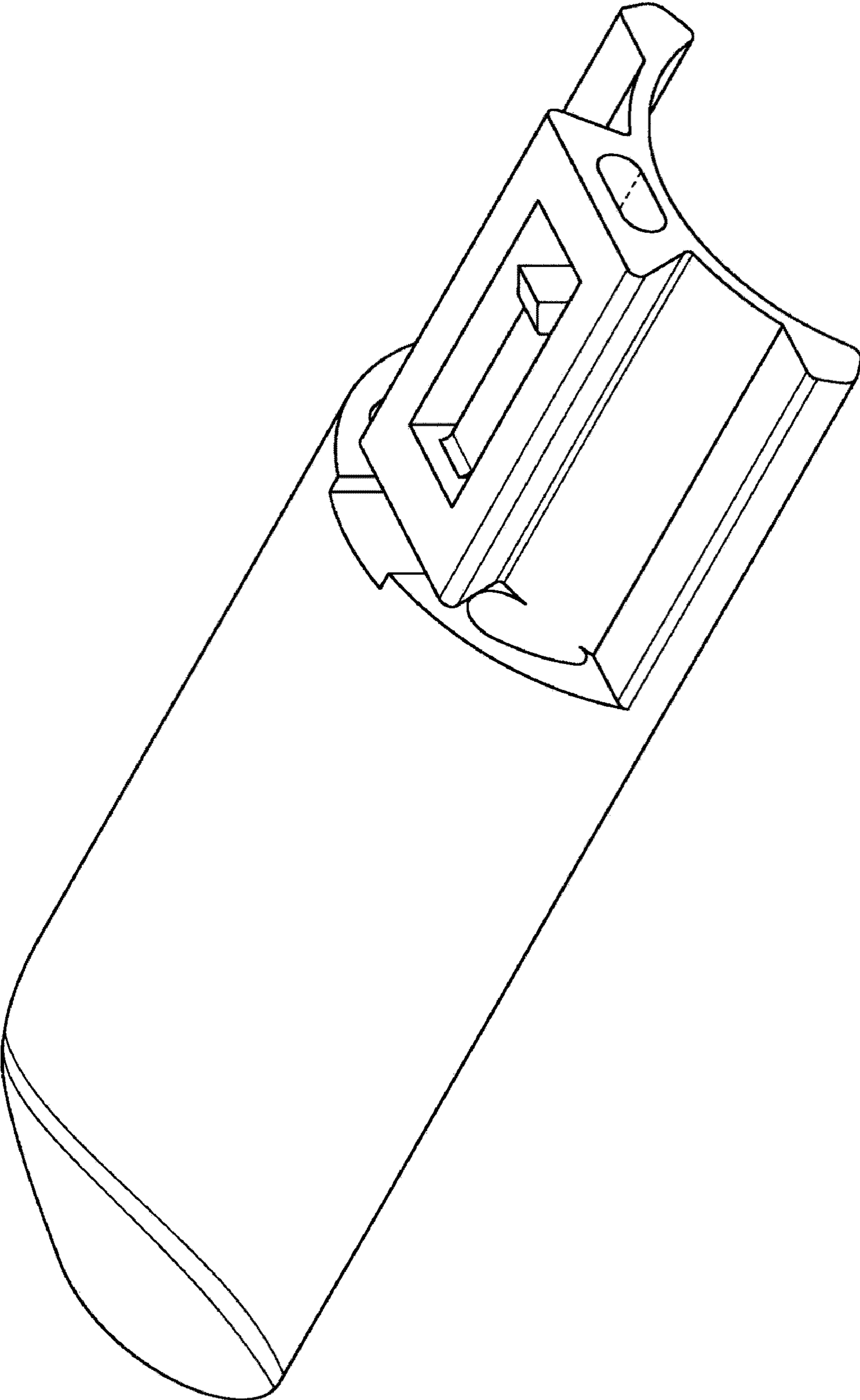


FIG. 1

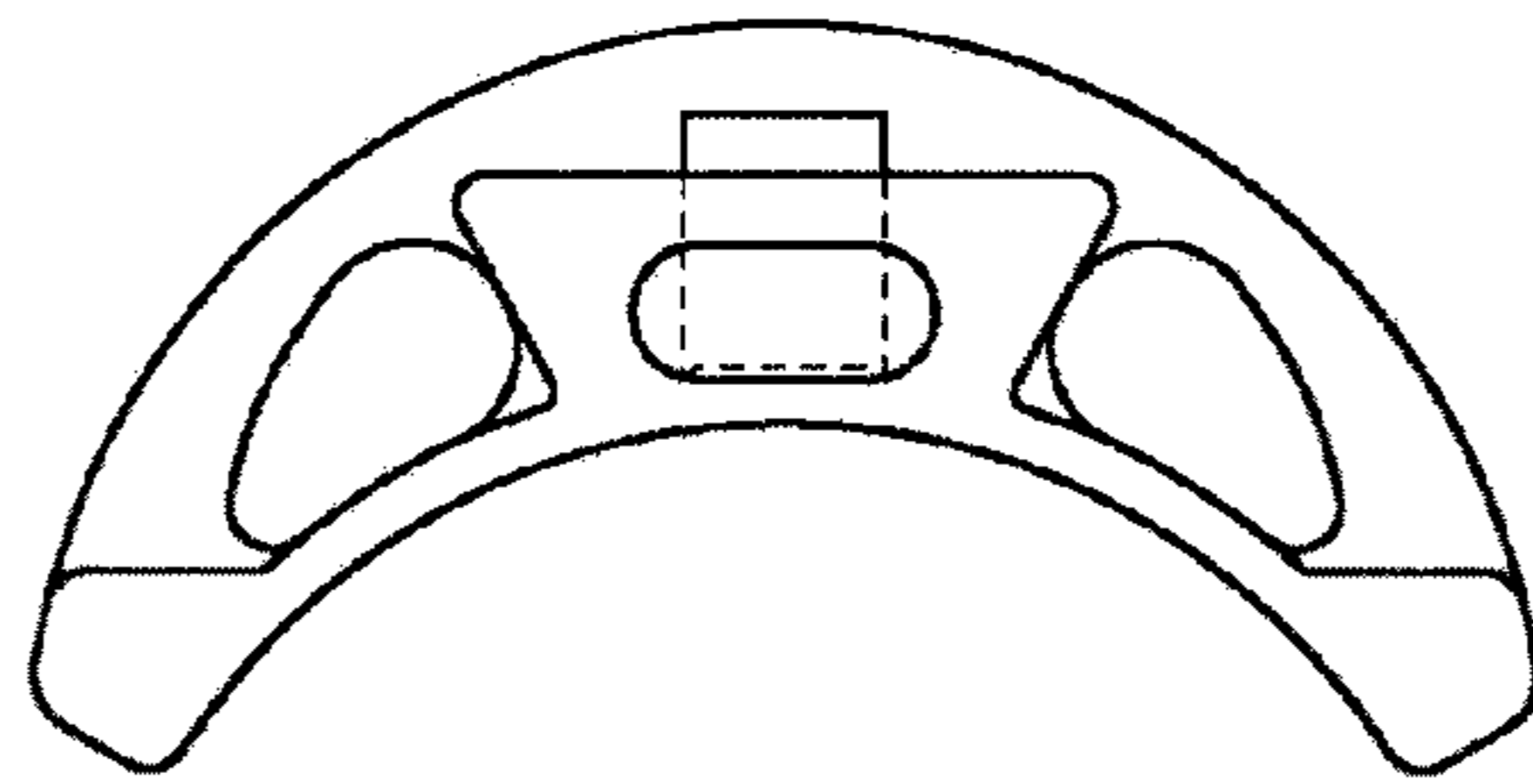


FIG. 2

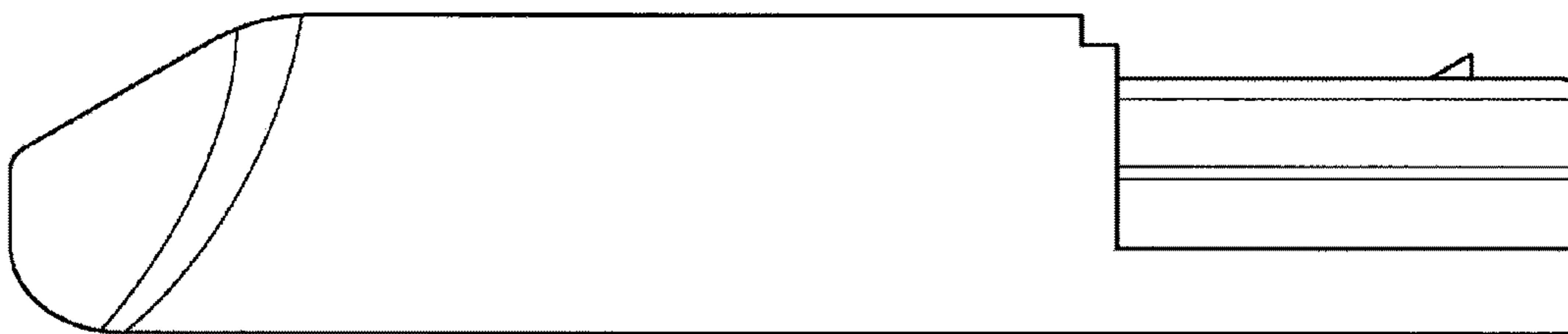


FIG. 3

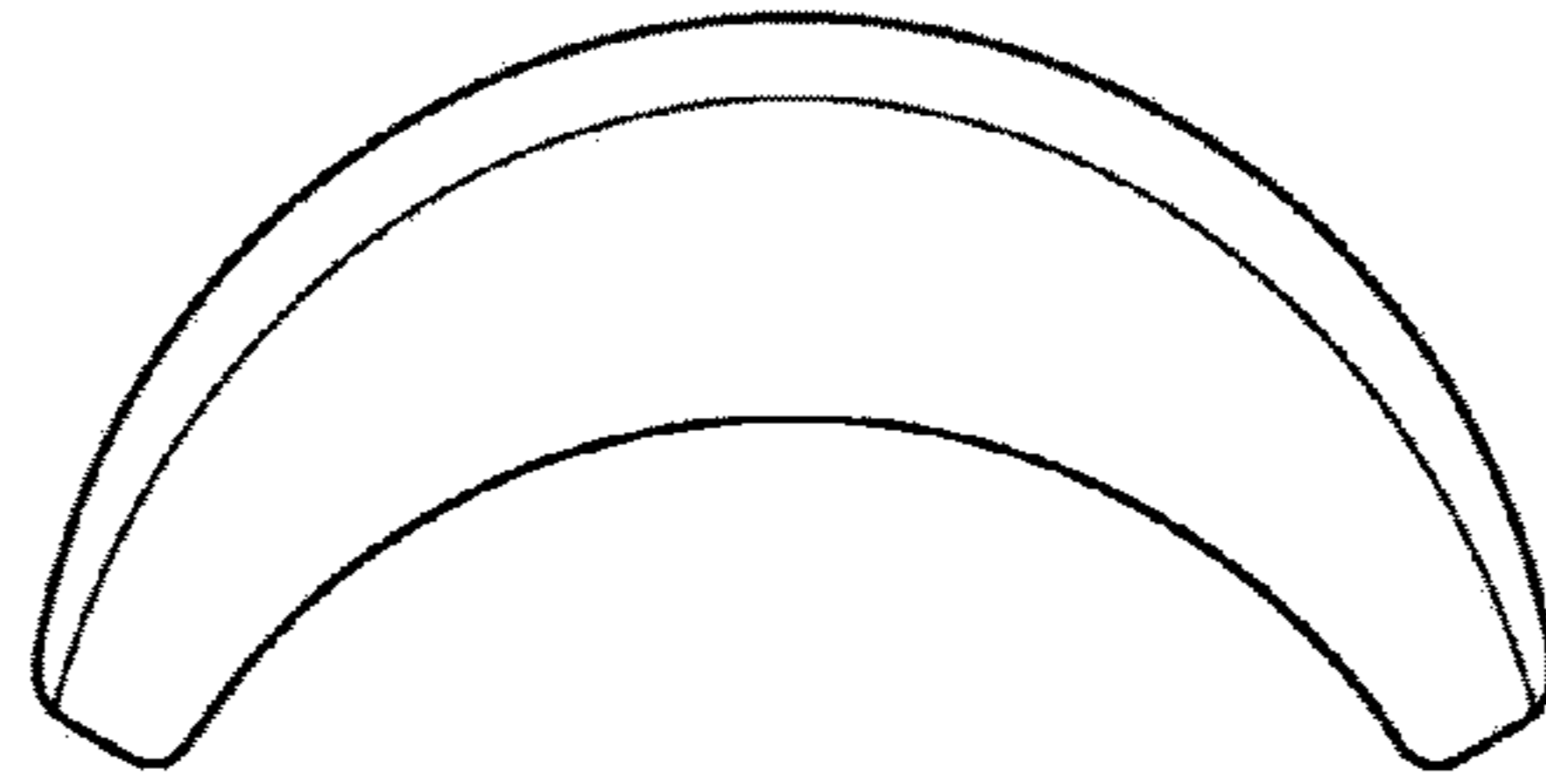


FIG. 4

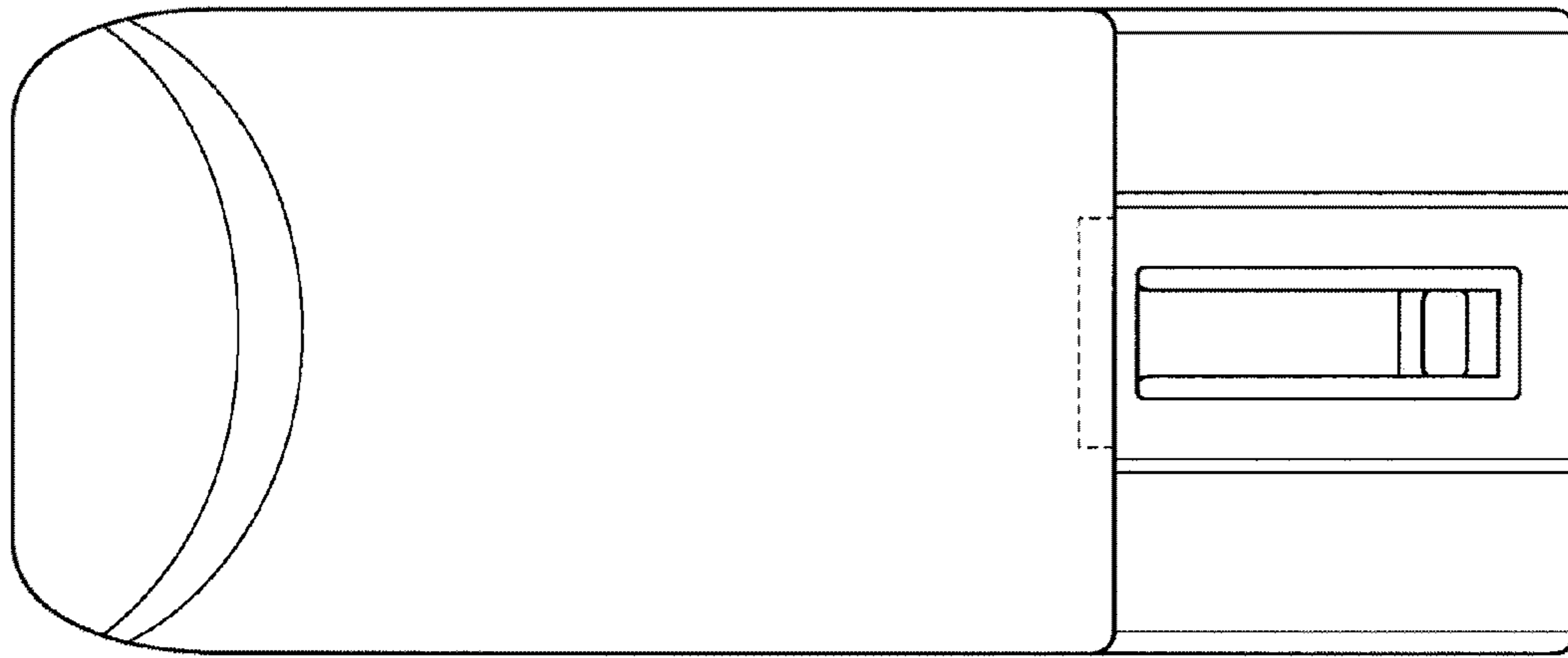


FIG. 5

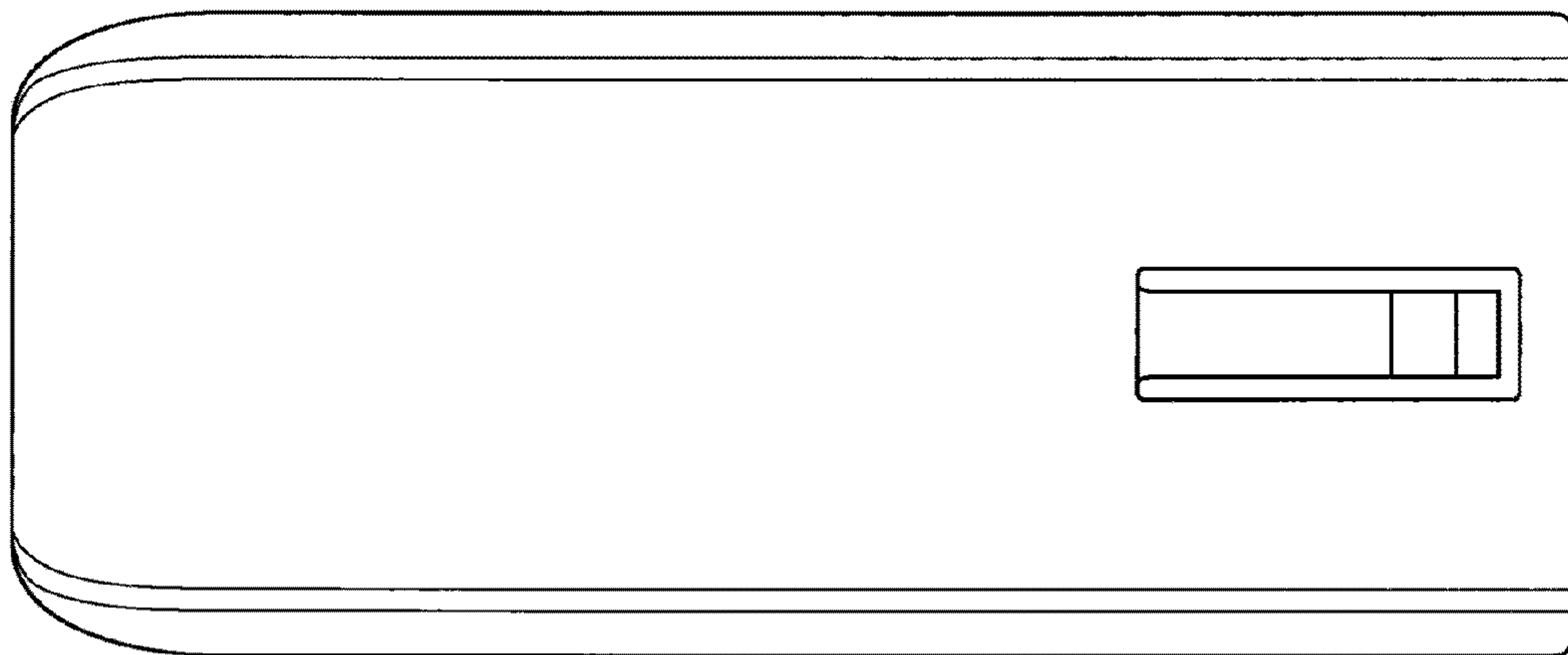


FIG. 6

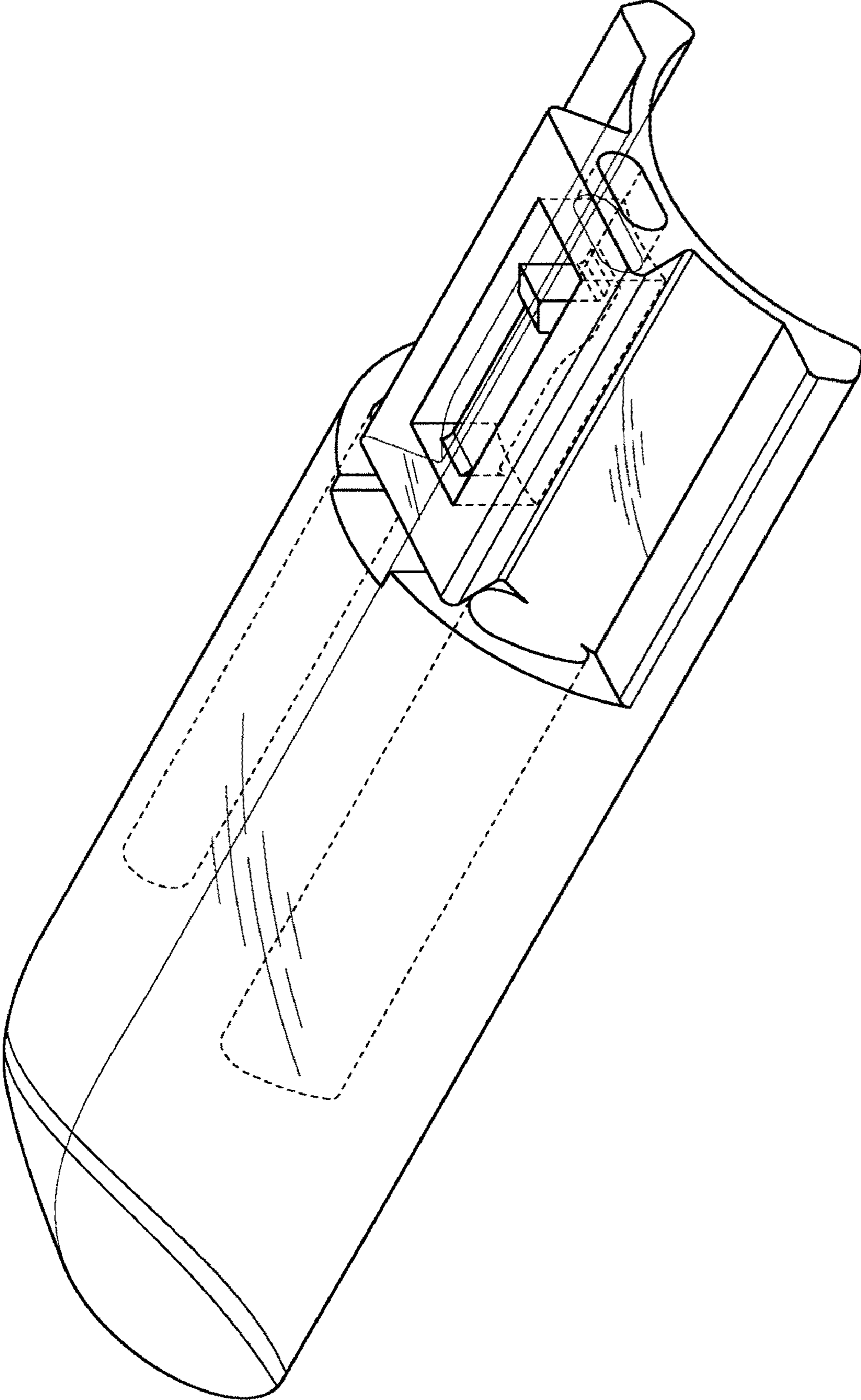


FIG. 7

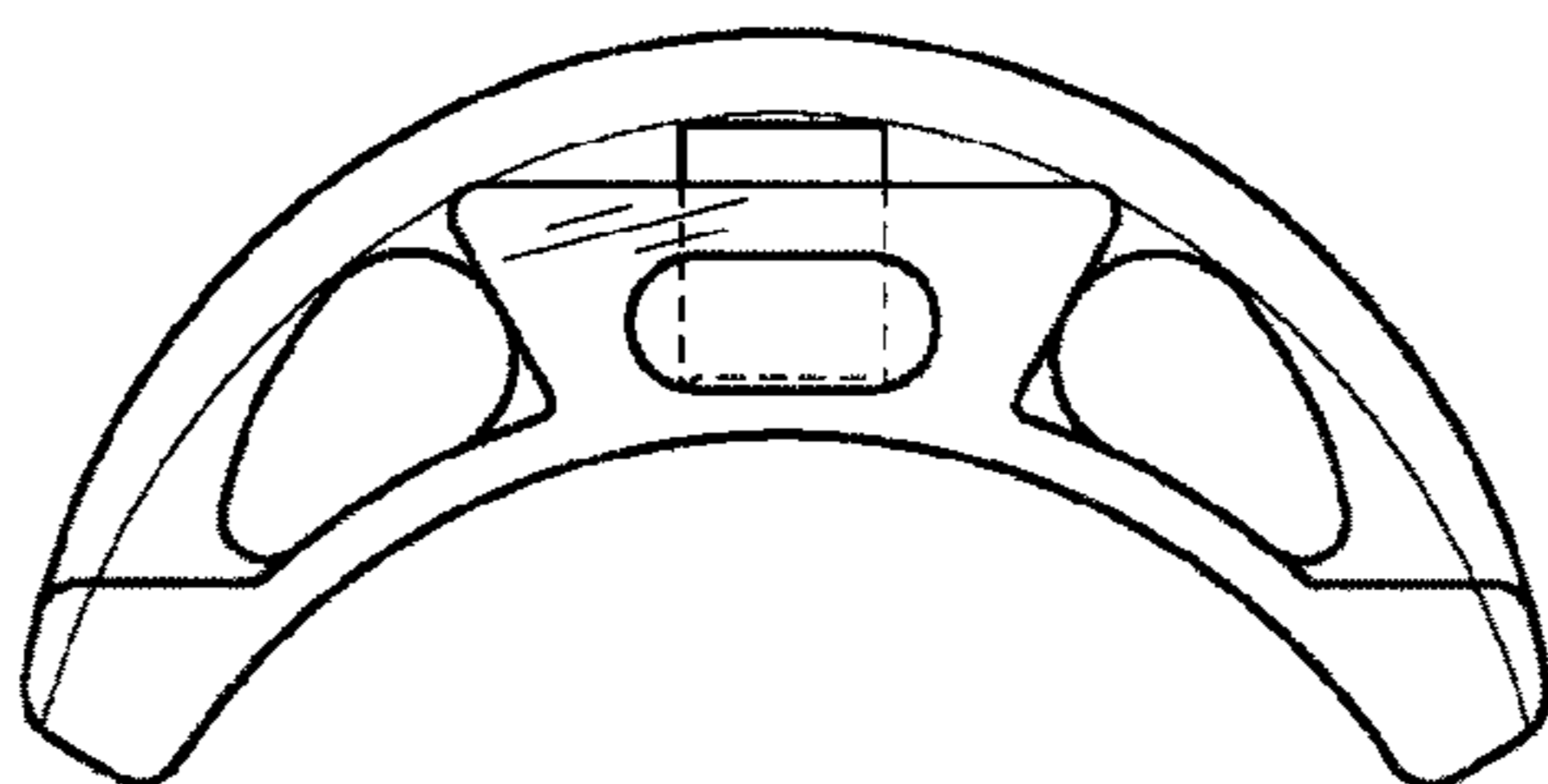


FIG. 8

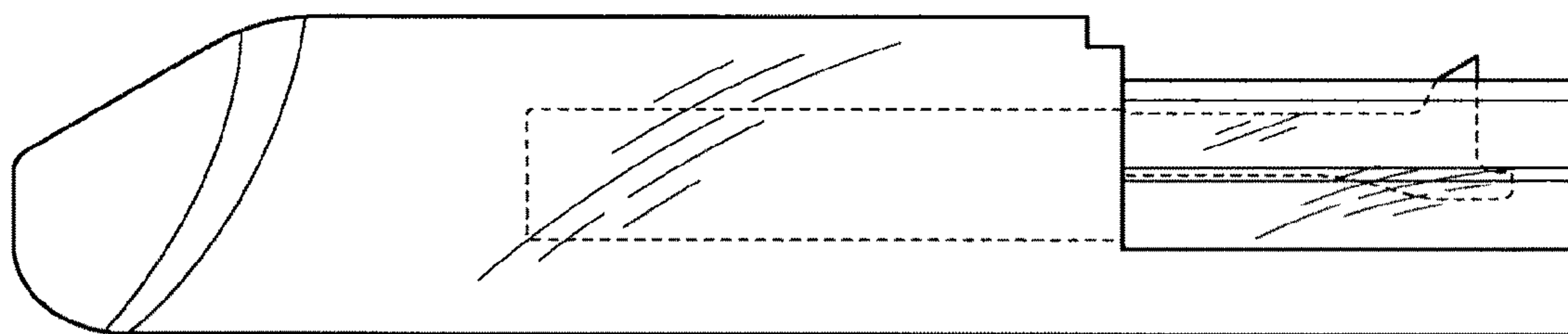


FIG. 9

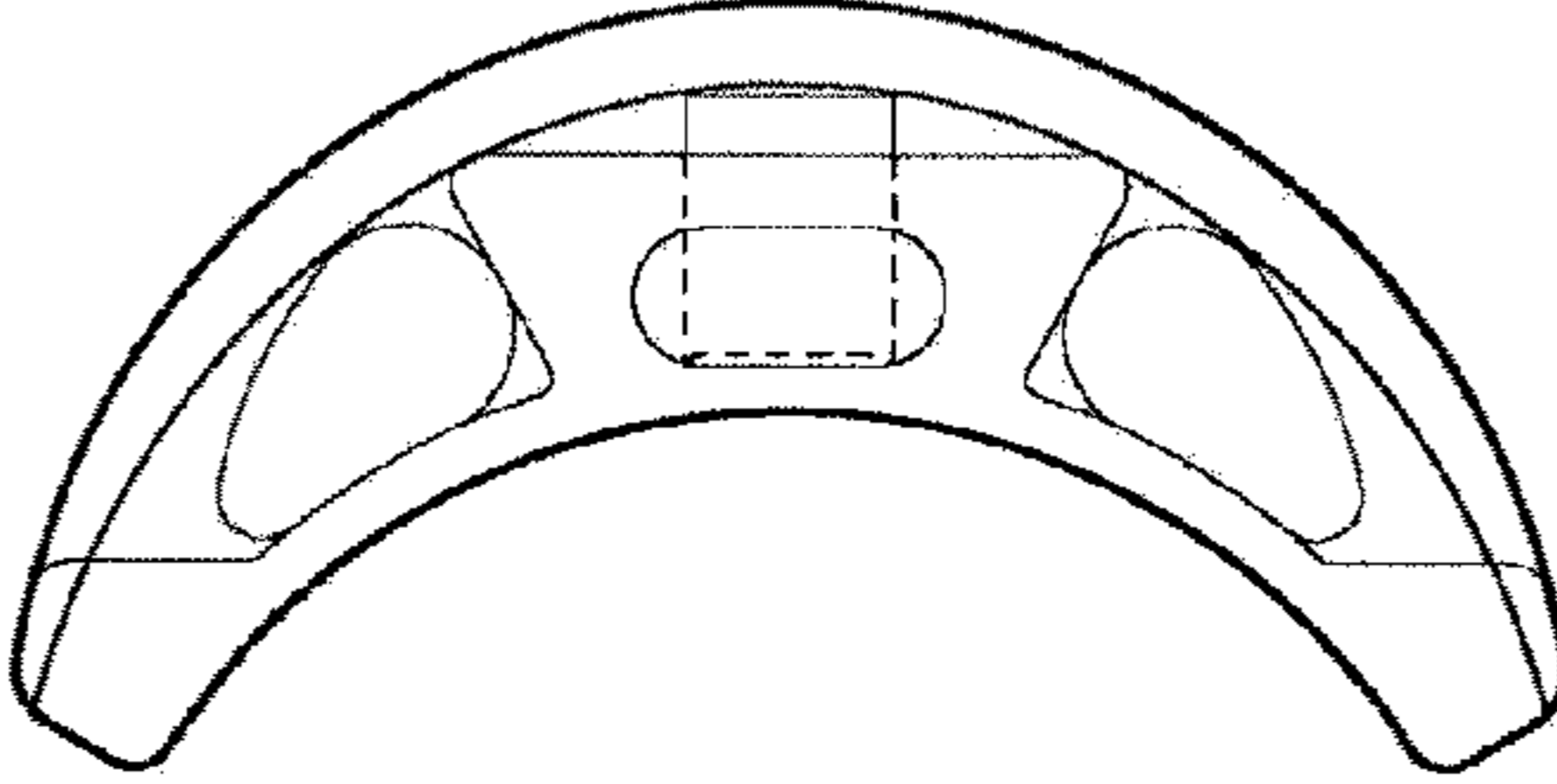


FIG. 10

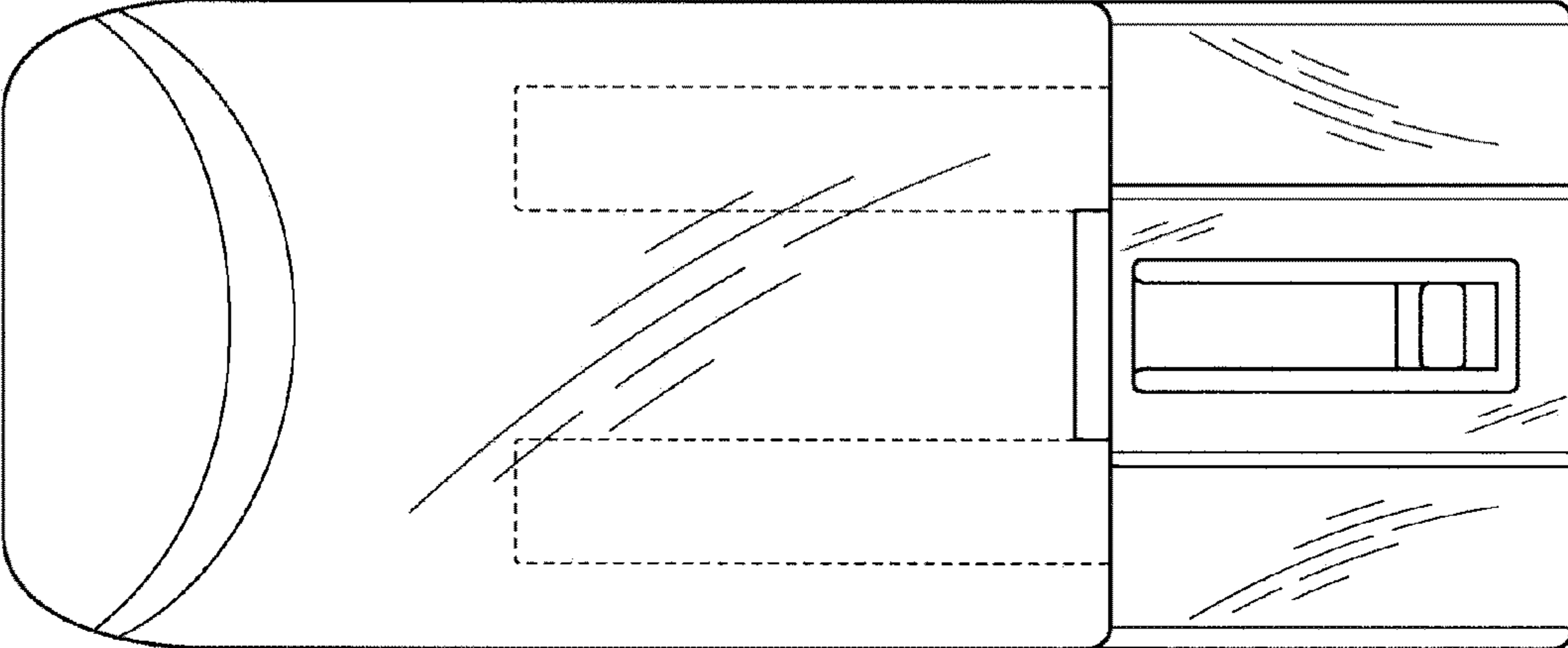


FIG. 11

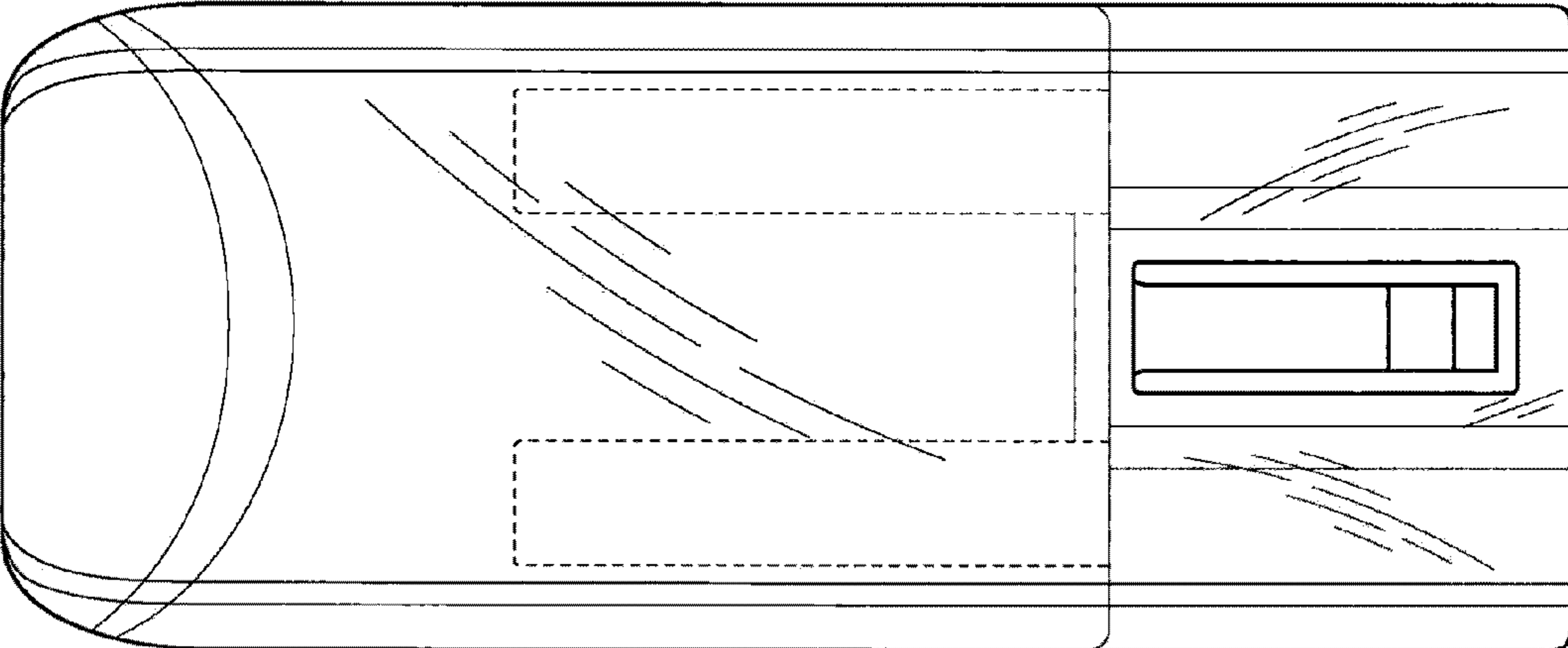


FIG. 12