



US00D674893S

(12) **United States Design Patent**
Kinsey et al.

(10) **Patent No.:** **US D674,893 S**
(45) **Date of Patent:** **** Jan. 22, 2013**

(54) **INHALER DEVICE**

(75) Inventors: **P. Spencer Kinsey**, Sandy Hook, CT (US); **Benoit Adamo**, Mount Kisco, NY (US)

(73) Assignee: **MannKind Corporation**, Valencia, CA (US)

(**) Term: **14 Years**

(21) Appl. No.: **29/404,464**

(22) Filed: **Oct. 20, 2011**

(51) **LOC (9) Cl.** **24-04**

(52) **U.S. Cl.** **D24/110; D24/110.5**

(58) **Field of Classification Search** D24/108–110,
D24/110.4, 110.5;
128/200.14–200.23, 203.12–203.24

See application file for complete search history.

(56) **References Cited**

U.S. PATENT DOCUMENTS

7,305,986	B1 *	12/2007	Steiner et al.	128/203.15
7,464,706	B2 *	12/2008	Steiner et al.	128/203.15
D597,657	S *	8/2009	Kinsey et al.	D24/110
D614,760	S *	4/2010	Smutney et al.	D24/110
D636,868	S *	4/2011	Kinsey et al.	D24/110
8,215,300	B2 *	7/2012	Steiner et al.	128/203.15
2004/0182387	A1 *	9/2004	Steiner et al.	128/203.15
2008/0053437	A1 *	3/2008	Steiner et al.	128/203.15
2008/0127970	A1 *	6/2008	Steiner et al.	128/203.14
2009/0308390	A1 *	12/2009	Smutney et al.	128/203.15
2009/0308391	A1 *	12/2009	Smutney et al.	128/203.15
2009/0308392	A1 *	12/2009	Smutney et al.	128/203.15
2012/0174923	A1 *	7/2012	Steiner et al.	128/203.15

OTHER PUBLICATIONS

Cricket TM Single-Use Inhalers [on-line]. Mannkind Technologies Website, posted in 2011, [retrieved on Jul. 30, 2012]. Retrieved from the Internet. <URL: mannkindtechnologies.com/DeviceTechnology/CricketSingleUseInhalers.aspx>.*

Dreamboat TM Reusable Inhalers [on-line]. Mannkind Technologies Website, posted in 2011, [retrieved on Jul. 30, 2012]. Retrieved from the Internet: <URL: mannkindtechnologies.com/DeviceTechnology/DreamBoatReusableInhalers.aspx>.*

Ostrovsky, Gene. ‘Mannkind Inhalation Insulin Going to FDA to Seek Approval’ [on-line]. MedGadget.com, posted on Mar. 17, 2009, [retrieved on Aug. 14, 2012]. Retrieved from the Internet: <URL: http://medgadget.com/2009/03/mannkind_inhalation_insulin_going_to_fda_to_seek_approval.html>.*

* cited by examiner

Primary Examiner — Jeffrey D Asch

Assistant Examiner — Eleni H Aldridge

(74) *Attorney, Agent, or Firm* — K&L Gates LLP; Louis C. Cullman; Brian J. Novak

(57) **CLAIM**

The ornamental design for an inhaler device, as shown and described.

DESCRIPTION

FIG. 1 is a front perspective view of an inhaler device of our design.

FIG. 2 is a rear perspective view of the inhaler device of FIG. 1.

FIG. 3 is a bottom perspective view of the inhaler device of FIG. 1.

FIG. 4 is a top view of the inhaler device of FIG. 1.

FIG. 5 is a bottom view of the inhaler device of FIG. 1.

FIG. 6 is a first side view of the inhaler device of FIG. 1.

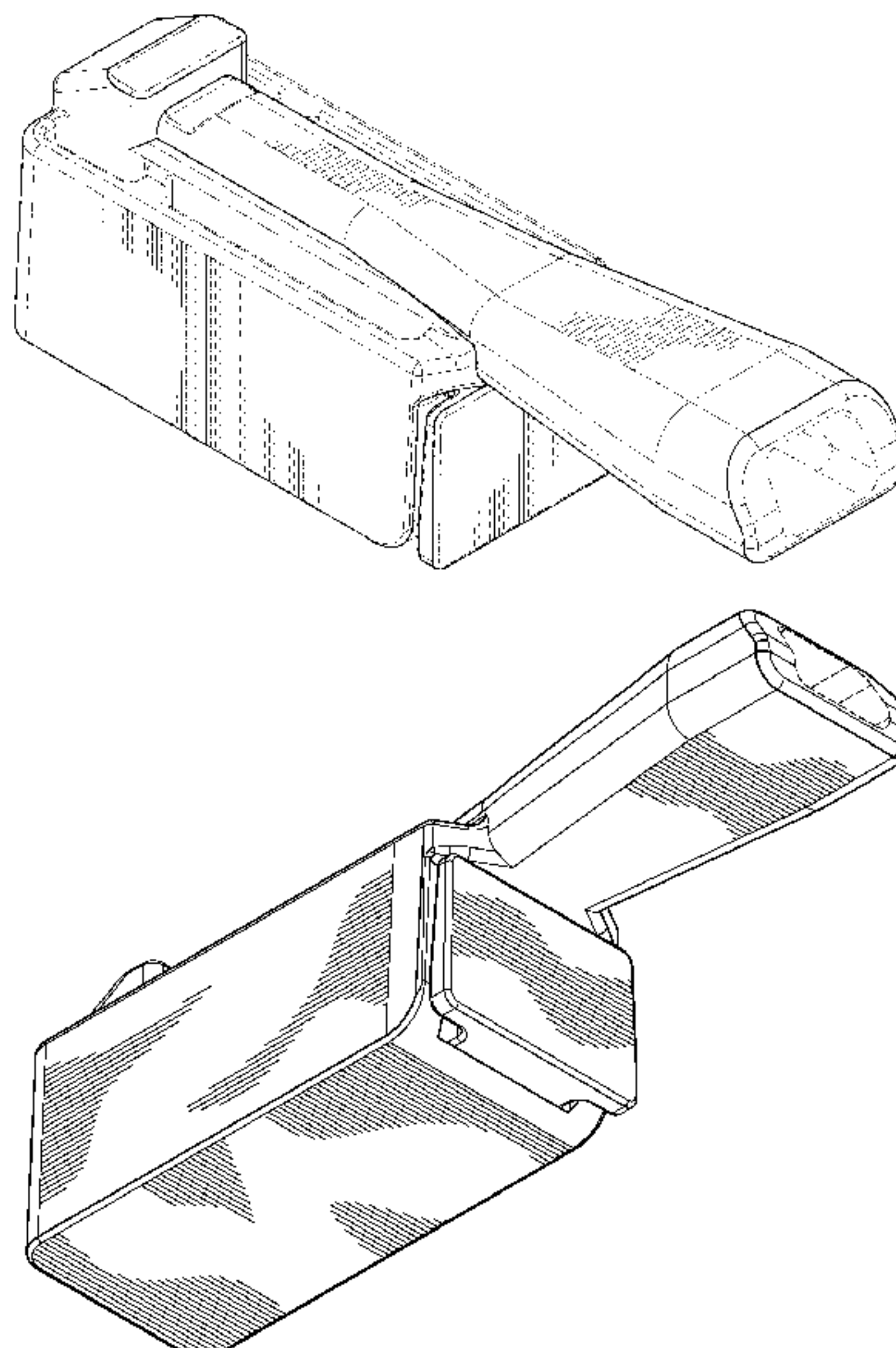
FIG. 7 is a second side view of the inhaler device of FIG. 1.

FIG. 8 is a front view of the inhaler device of FIG. 1; and,

FIG. 9 is a rear view of the inhaler device of FIG. 1.

The broken lines immediately adjacent the shaded areas represent the bounds of the claimed design while all other broken lines are directed to environment and are for illustrative purposes only; the broken lines form no part of the claimed design.

1 Claim, 4 Drawing Sheets



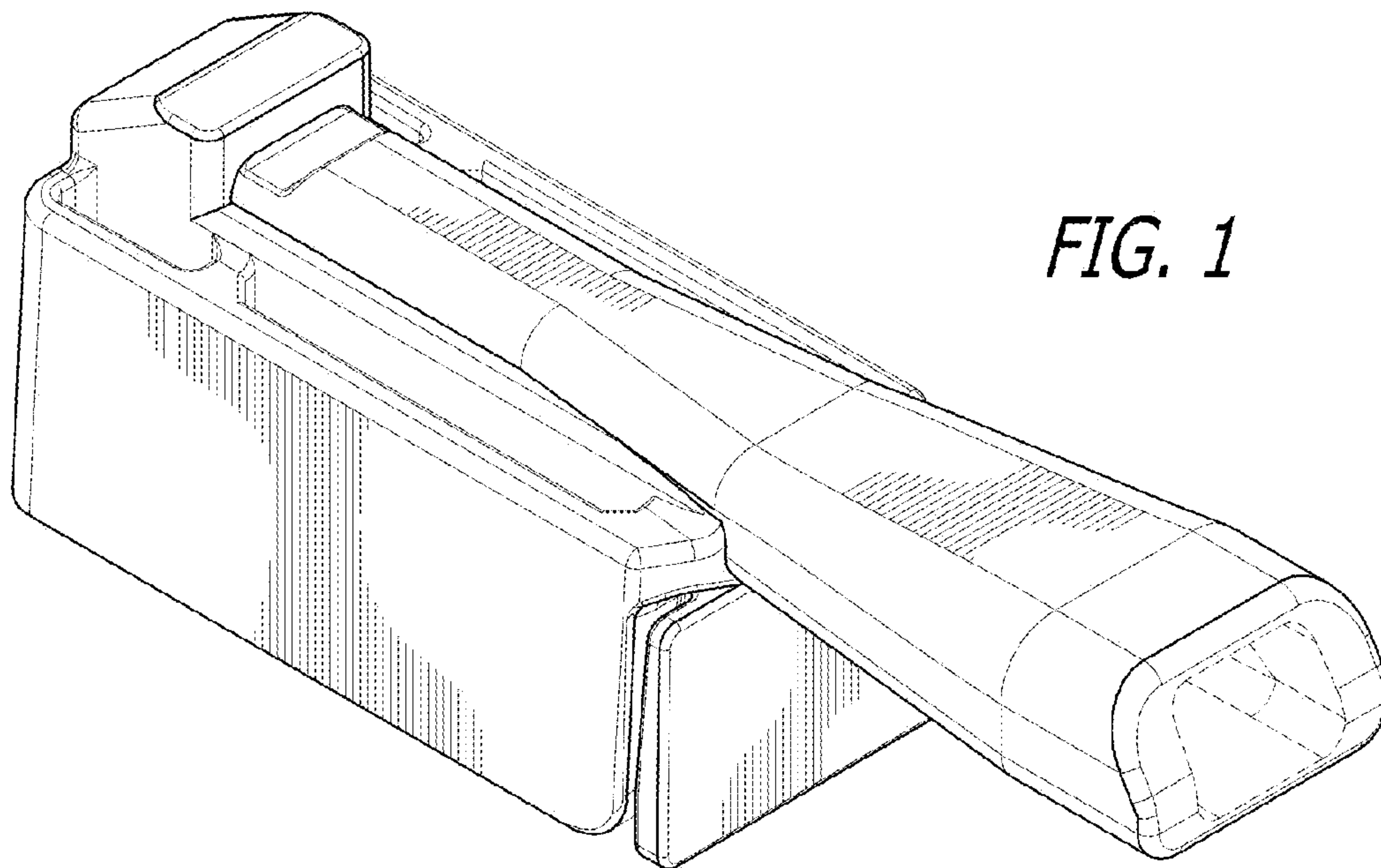


FIG. 1

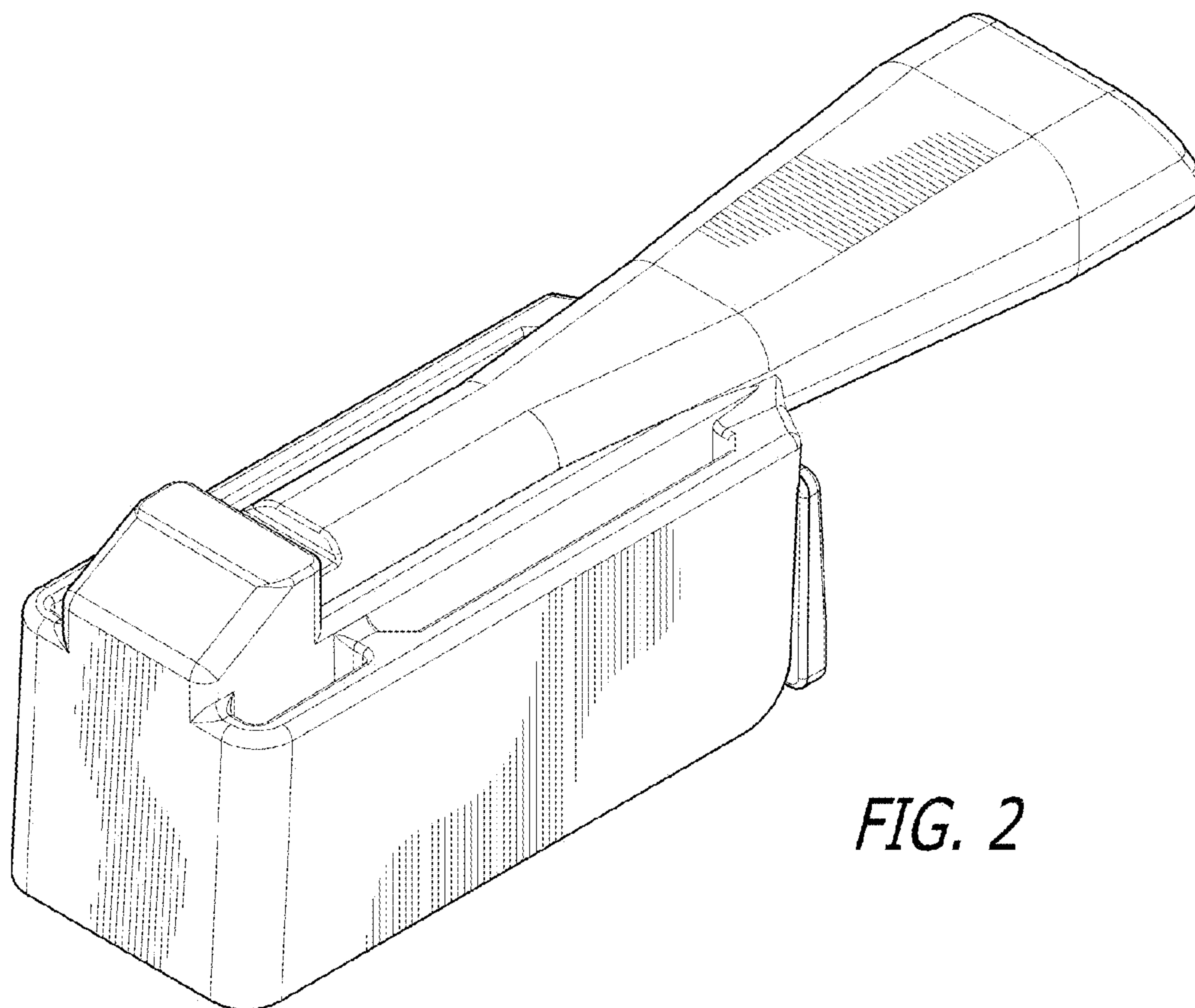


FIG. 2

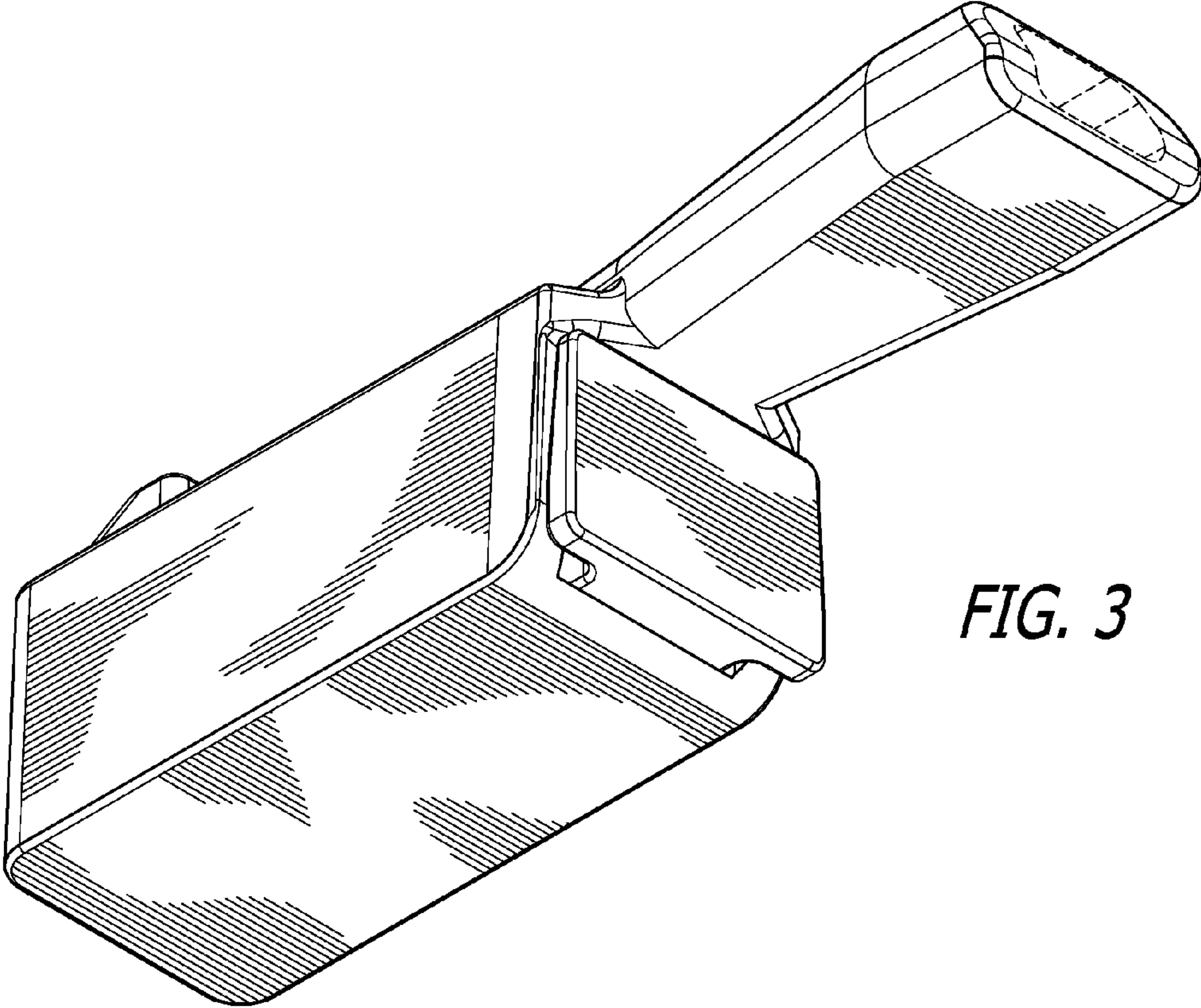


FIG. 3

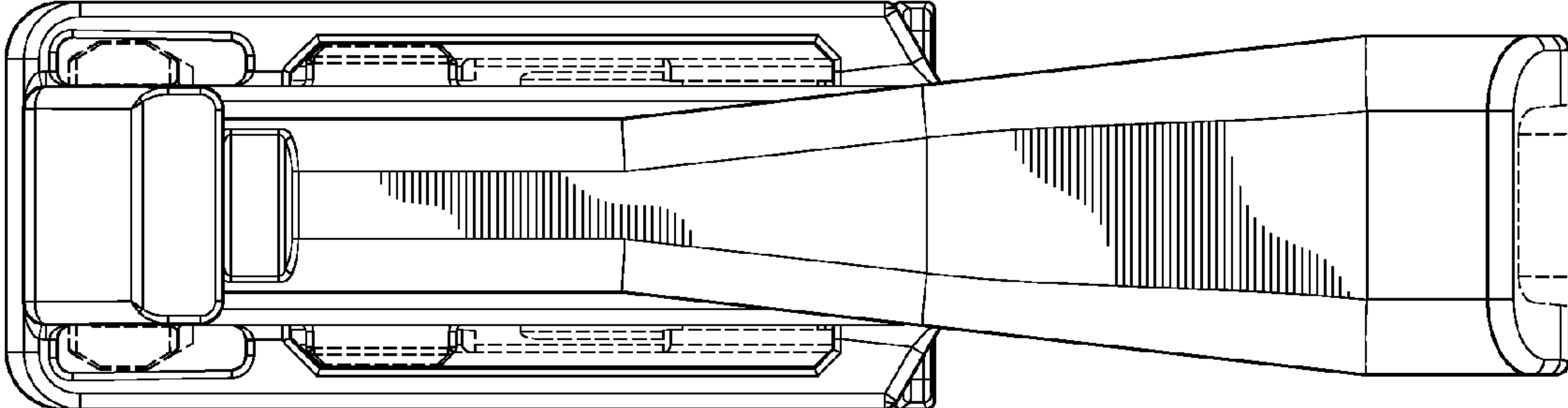


FIG. 4

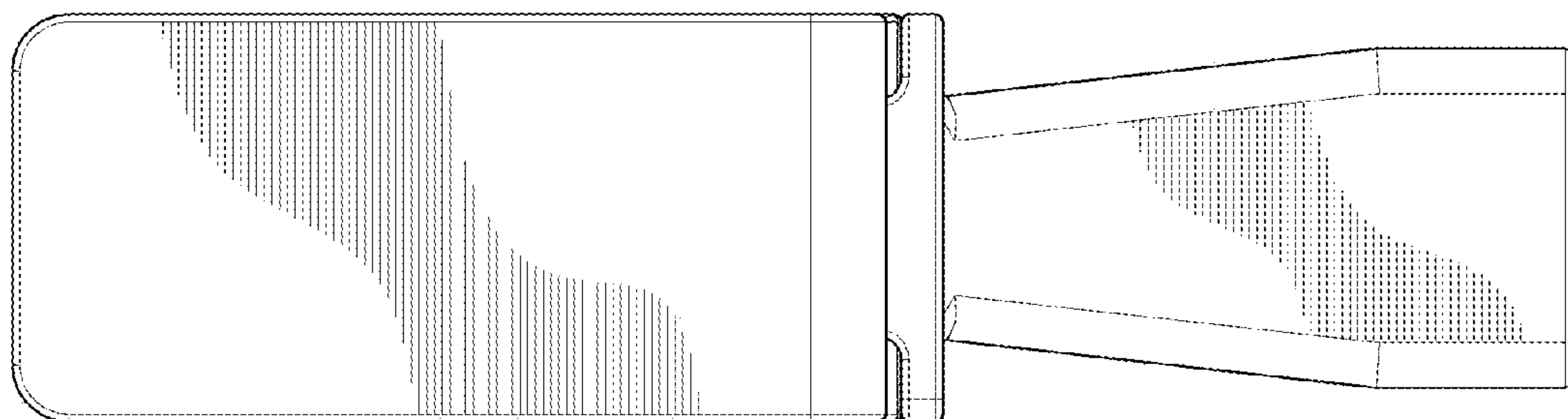


FIG. 5

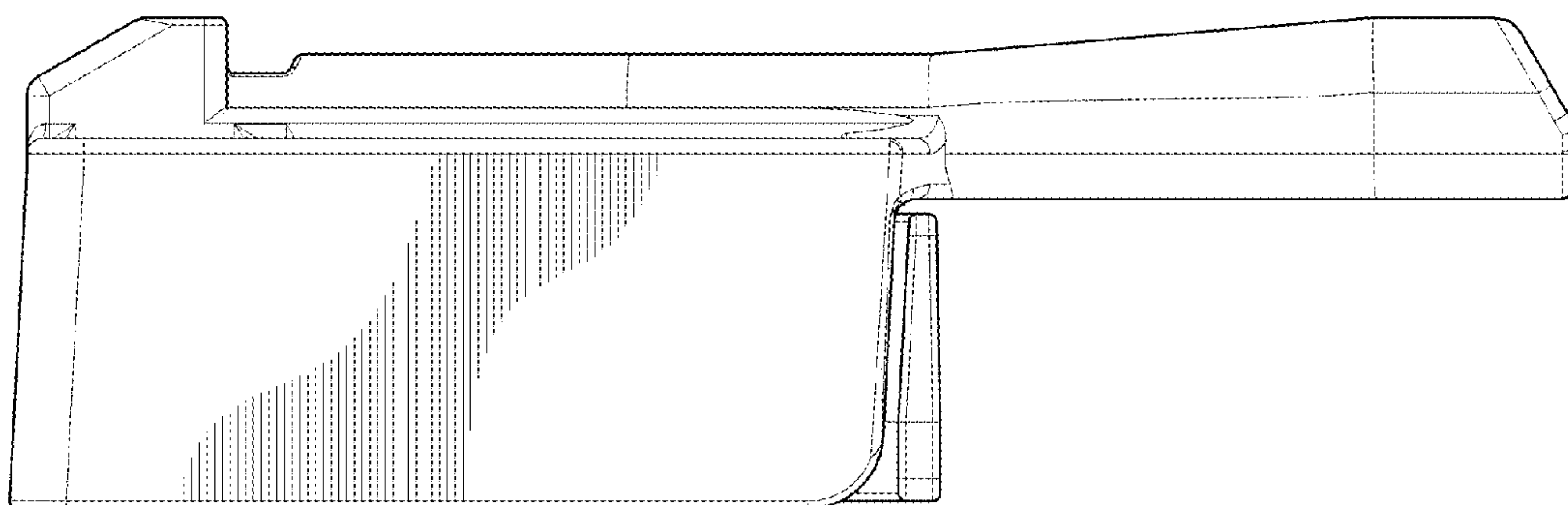


FIG. 6

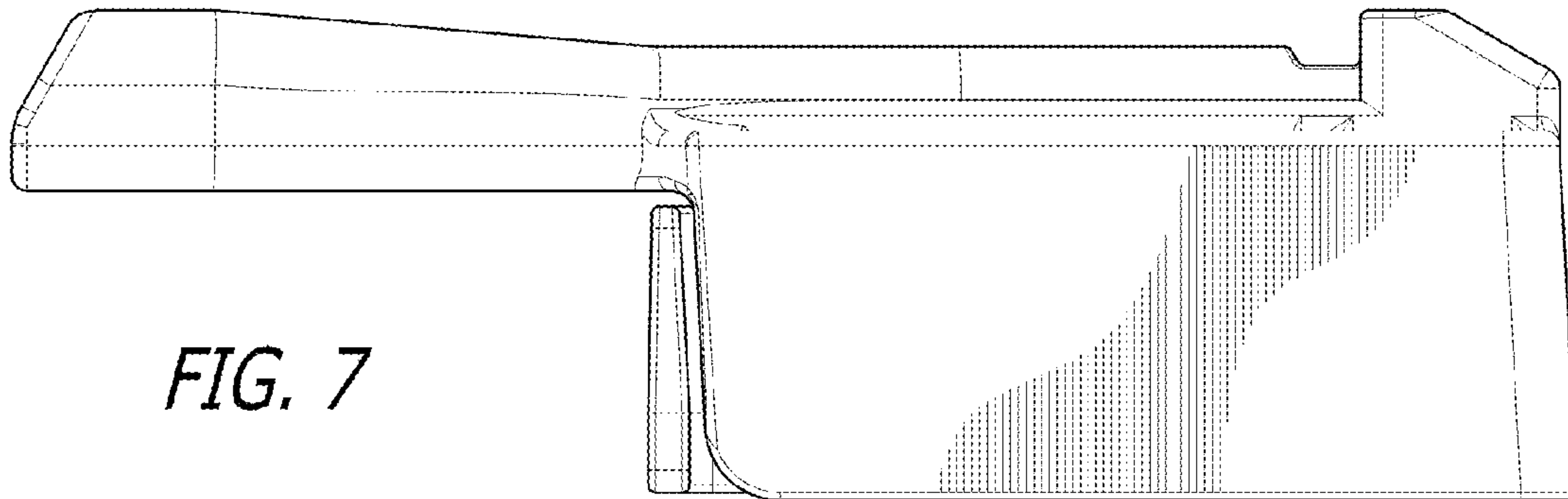


FIG. 7

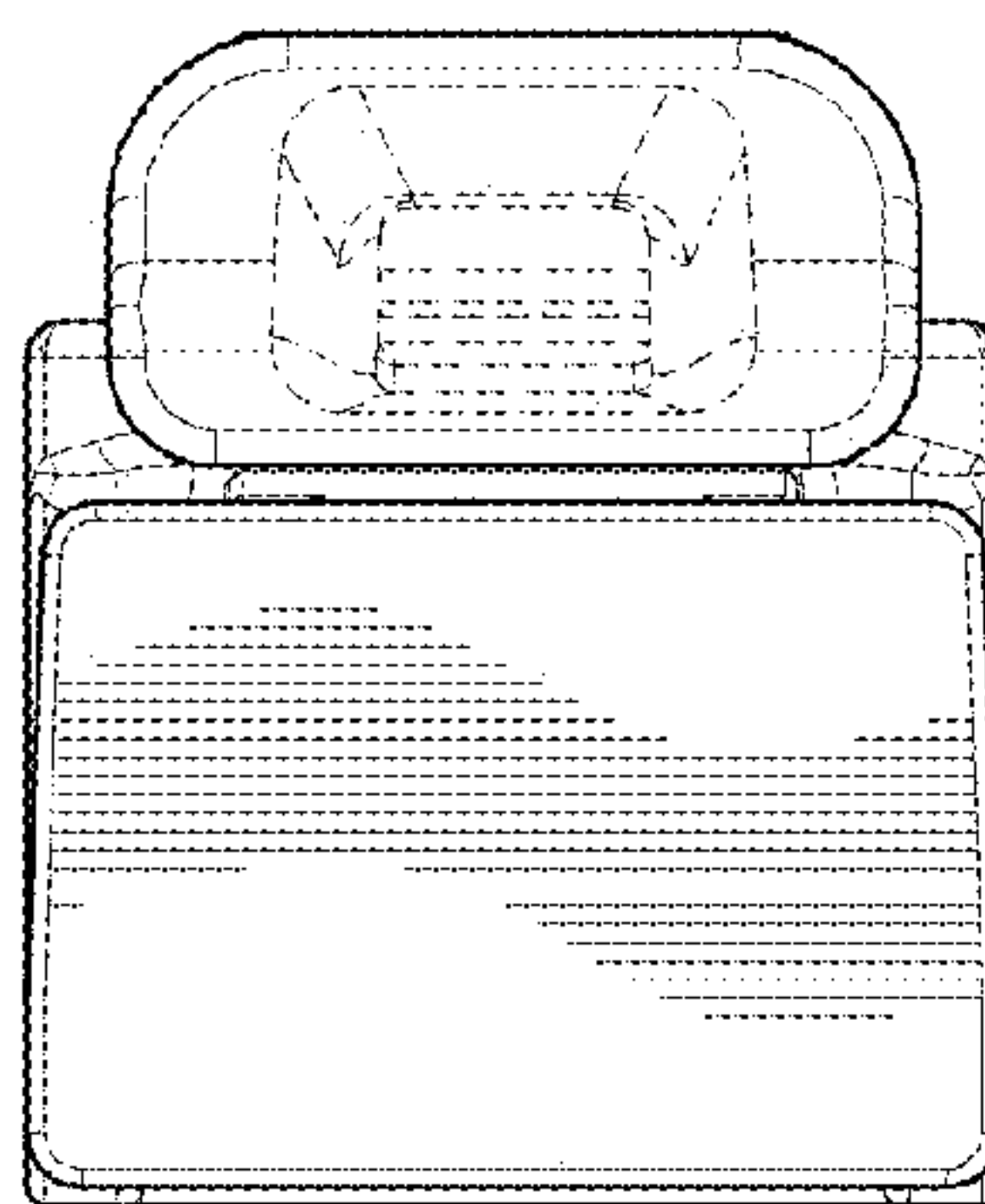


FIG. 8

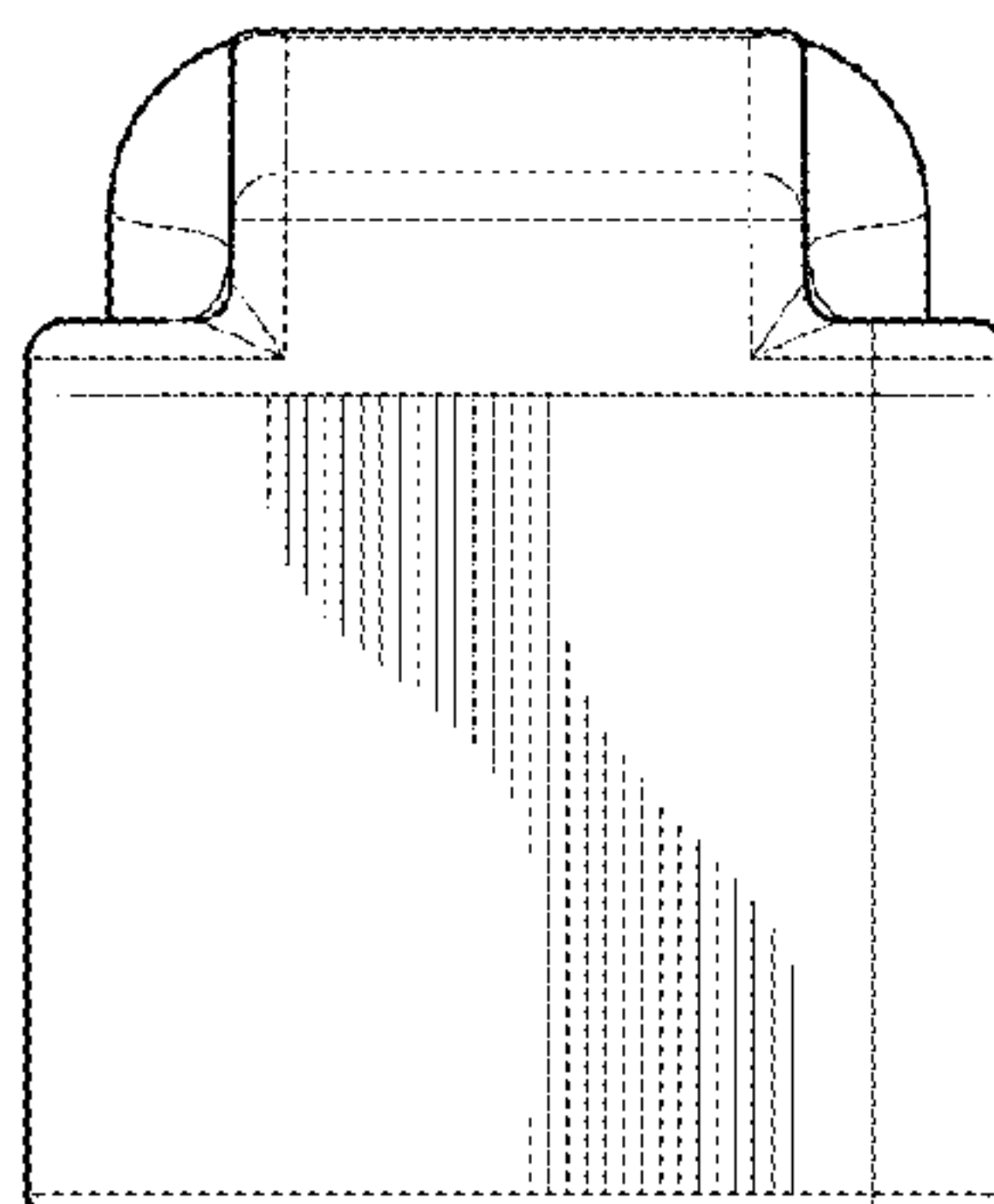


FIG. 9