



US00D674891S

(12) **United States Design Patent**  
**Huang**

(10) **Patent No.:** **US D674,891 S**  
(45) **Date of Patent:** **\*\* Jan. 22, 2013**

(54) **MURAL FIREPLACE ASSEMBLY**  
(76) Inventor: **Chengyuan Huang**, Wenzhou (CN)  
(\*\*) Term: **14 Years**

2002/0096171	A1 *	7/2002	Lyons et al.	126/512
2004/0173202	A1 *	9/2004	Lyons et al.	126/500
2007/0107289	A1 *	5/2007	Shimer et al.	40/798
2007/0235018	A1 *	10/2007	Hills et al.	126/190
2008/0216819	A1 *	9/2008	Backes	126/500
2011/0041832	A1 *	2/2011	Binzer	126/544

(21) Appl. No.: **29/373,520**

**OTHER PUBLICATIONS**

(22) Filed: **Apr. 19, 2011**

“Smart Bio-ethanol Fireplace” and “Common Bio-ethanol Fireplace” found at <http://www.amentech.cn/product.asp> in search on Jun. 4, 2012 of Wenzhou Amen Tech Co.\*

(30) **Foreign Application Priority Data**

Models: ASF-101, ASF-102, ASF-112, ASF-211, ASF-212, ASF-301 found at <http://www.amentech.cn/proclass.asp?classid=8> in search of Wenzhou Amen Tech Co. on Jun. 4, 2012.\*

Mar. 1, 2011 (CN) ..... 2011 3 0037773

Design posted online on Mar. 2, 2011 on Webpage for Wenzhou Amen Tech Co. Ltd., at: [www.amen.en.alibaba.com/](http://www.amen.en.alibaba.com/).

(51) **LOC (9) Cl.** ..... **23-03**

\* cited by examiner

(52) **U.S. Cl.** ..... **D23/404**

(58) **Field of Classification Search** ..... D23/403-406,  
D23/409, 410, 422, 499, 345, 347, 349; D7/402,  
D7/407, 417; 40/428, 798; 44/520, 530;  
52/36.3; 126/25 B, 298, 500, 512, 540, 543,  
126/544, 548, 555; 160/DIG. 9; 431/263,  
431/273, 329

*Primary Examiner* — Karen S Acker

(74) *Attorney, Agent, or Firm* — Kaleb Pan, Esq.

See application file for complete search history.

(57) **CLAIM**

The ornamental design for an mural fireplace assembly, as shown and described.

(56) **References Cited**

**DESCRIPTION**

**U.S. PATENT DOCUMENTS**

166,962	A *	8/1875	Bradford	40/798
232,471	A *	9/1880	Dreyfuss	40/791
390,473	A *	10/1888	Green	40/798
452,911	A *	5/1891	Bainbridge	40/768
460,663	A *	10/1891	Searvogle	40/798
464,560	A *	12/1891	Foster	40/798
D283,343	S *	4/1986	Haythornthwaite	D23/344
5,399,084	A *	3/1995	McCullough et al.	431/125
D366,110	S *	1/1996	Darr	D23/403
6,162,047	A *	12/2000	Hess	431/125
6,472,038	B1 *	10/2002	Murphy	428/40.1
6,988,336	B2 *	1/2006	Rupp	52/79.1
D519,203	S *	4/2006	Haas et al.	D23/405
D561,317	S *	2/2008	Ou et al.	D23/344
D574,071	S *	7/2008	Dabrowski	D23/344
D610,664	S *	2/2010	Thomas	D23/343
D631,953	S *	2/2011	Backes et al.	D23/343
D638,922	S *	5/2011	Zhou	D23/344
D654,996	S *	2/2012	Asofsky et al.	D23/332

FIG. 1 is a front perspective view of the mural fireplace assembly (enlarged to show detail);  
FIG. 2 is a front side (orthogonal) view thereof;  
FIG. 3 is a rear side view thereof;  
FIG. 4 is a top side view thereof;  
FIG. 5 is a bottom side view thereof;  
FIG. 6 is a right side view thereof;  
FIG. 7 is a left side view thereof;  
FIG. 8 is a front perspective view of the fireplace mechanism portion of the mural fireplace assembly of FIG. 1 (enlarged to show detail);  
FIG. 9 is a front side view thereof;  
FIG. 10 is a rear side view thereof;  
FIG. 11 is a top side view thereof;  
FIG. 12 is a bottom side view thereof;  
FIG. 13 is a right side view thereof;  
FIG. 14 is a left side view thereof;

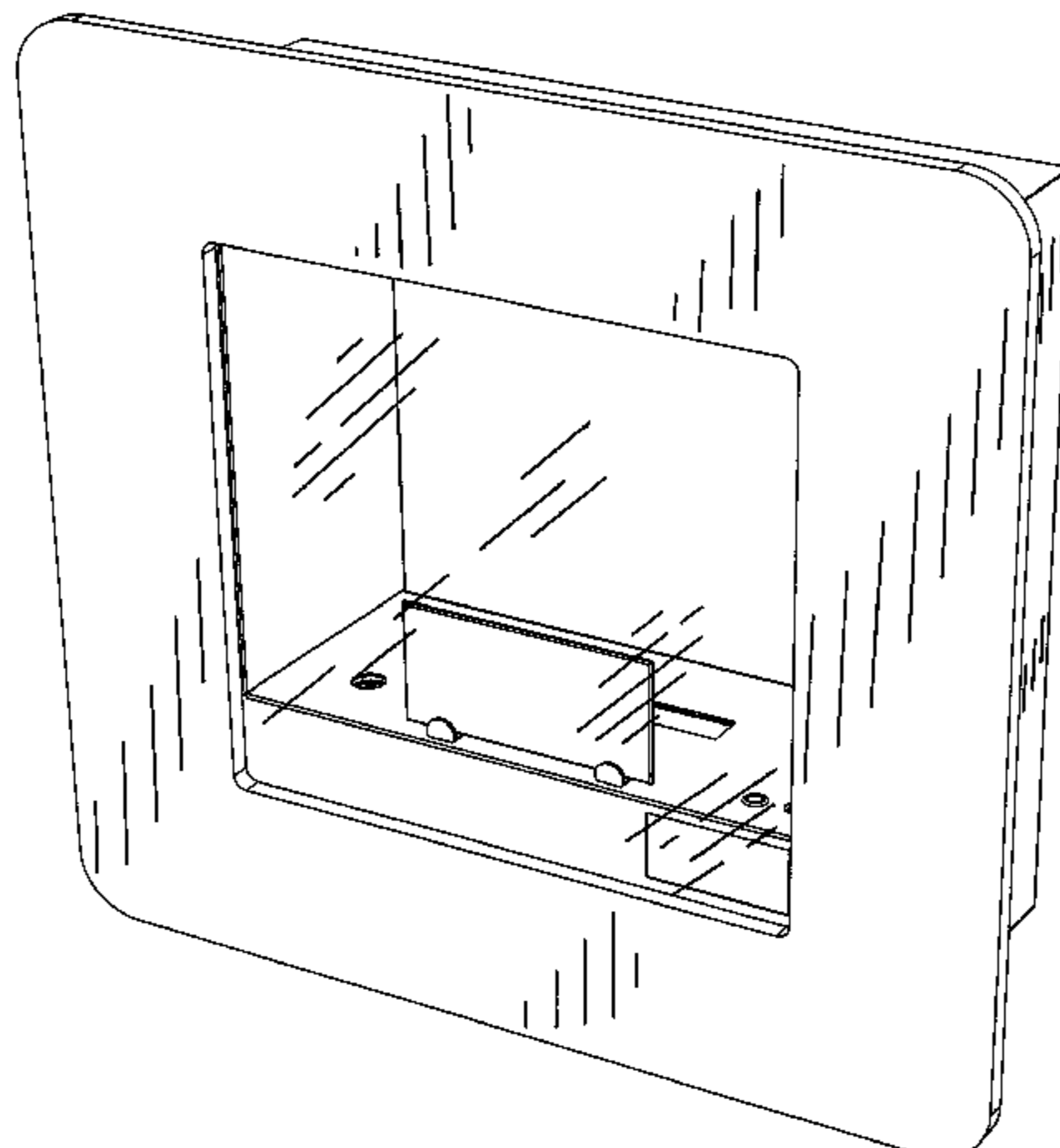


FIG. 15 is a front perspective view of the front plate screen portion of the mural fireplace assembly of FIG. 1;

FIG. 16 is a front side view thereof;

FIG. 17 is a rear side view thereof;

FIG. 18 is a top side view thereof;

FIG. 19 is a bottom side view thereof;

FIG. 20 is a right side view thereof;

FIG. 21 is a left side view thereof;

FIG. 22 is a front side view of an alternate wall screen cover over the front plate screen portion of the Mural Fireplace Assembly of FIG. 1;

FIG. 23 is a rear side view thereof;

FIG. 24 is a top side view thereof;

FIG. 25 is a bottom side view thereof;

FIG. 26 is a right side view thereof, and,

FIG. 27 is a left side view thereof.

The design of the liquid bio-ethanol fuel fireplace is characterized by the fireplace mechanism being mounted and inset into a recess in a wall with the smooth front plate screen facing forwards and showing the bio-ethanol flame behind quartz glass. The front plate screen may be covered over by or hidden behind a matching wall art screen when the fireplace is not in use.

**1 Claim, 11 Drawing Sheets**

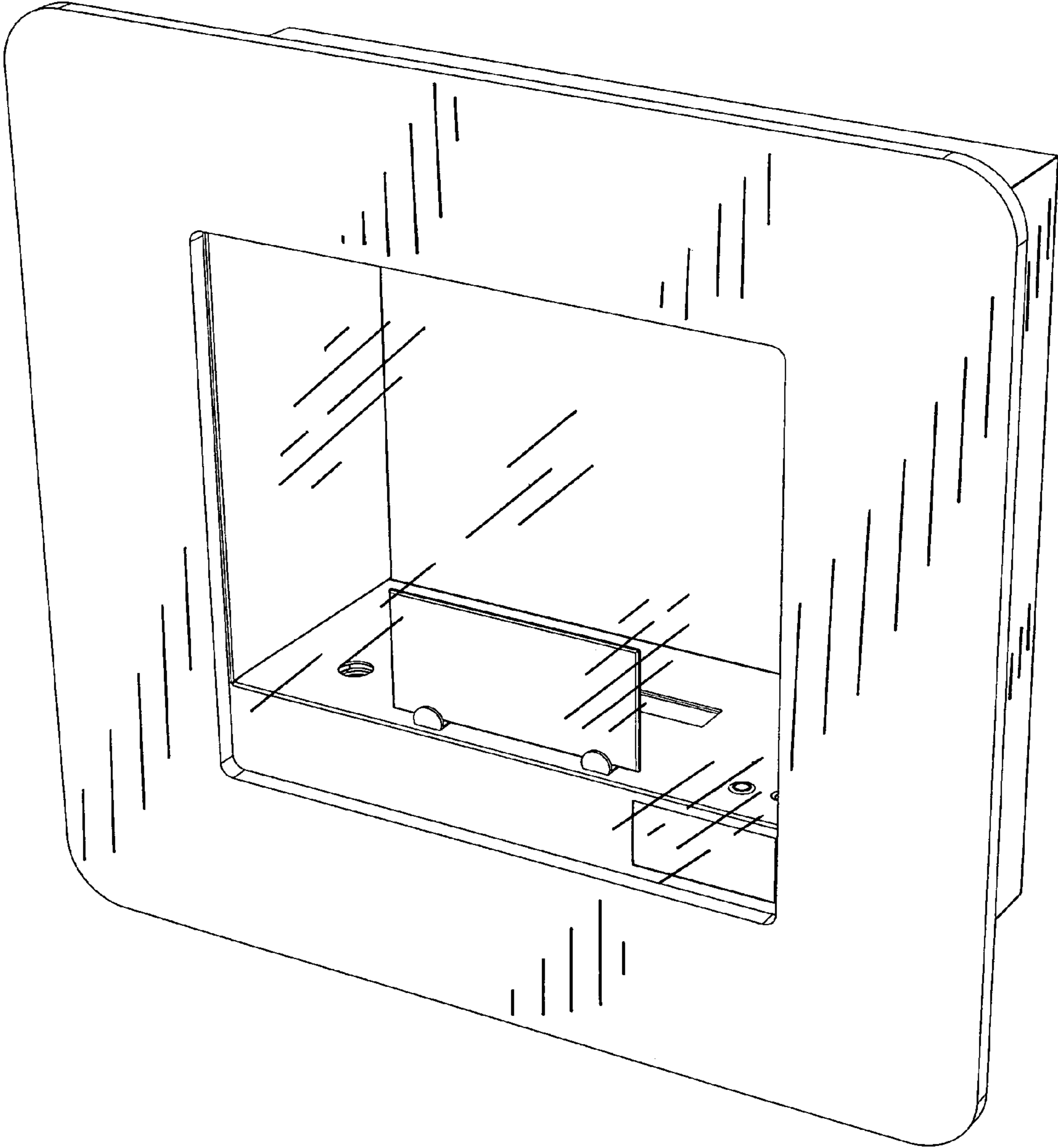


Fig. 1

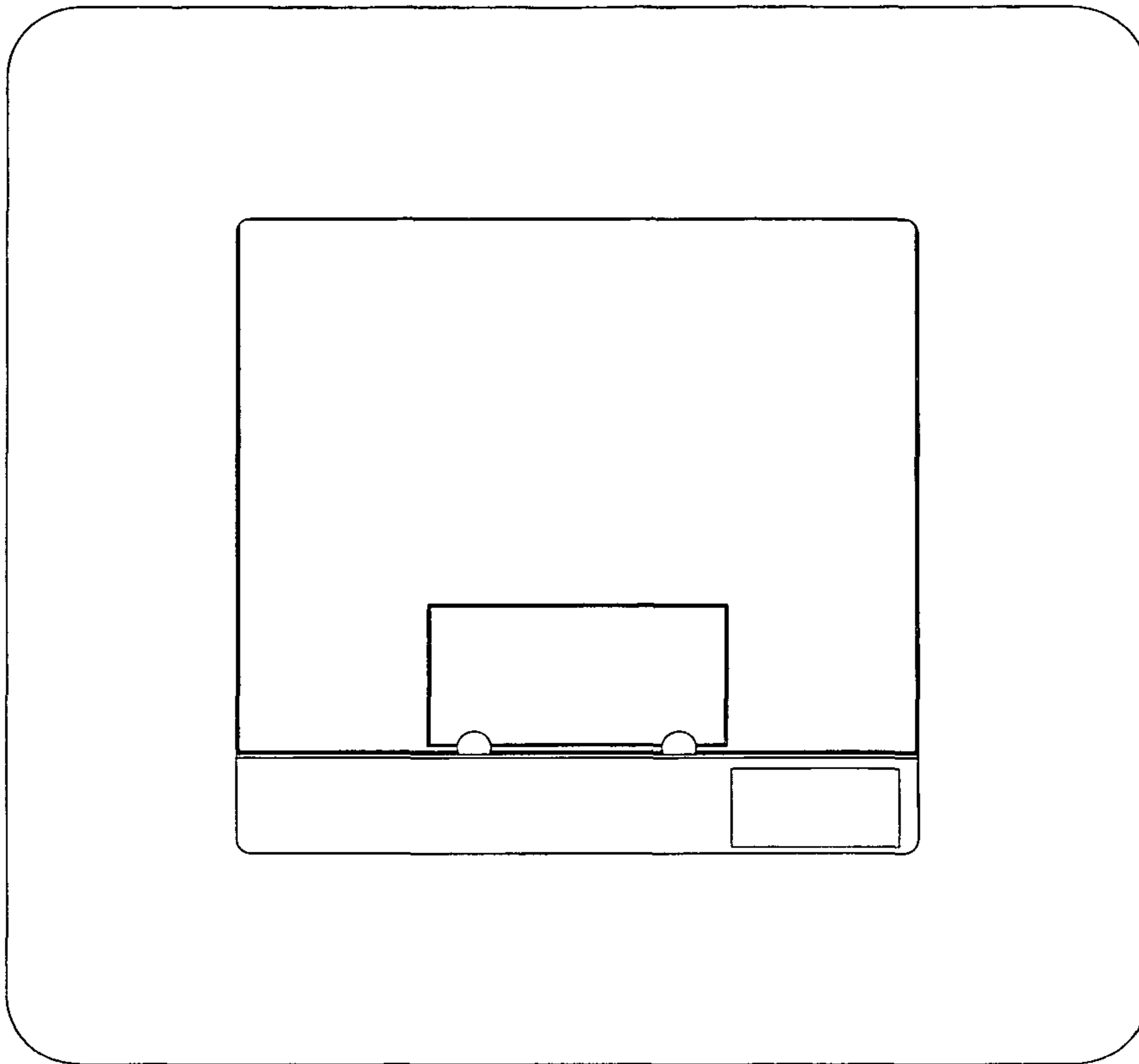


Fig. 2

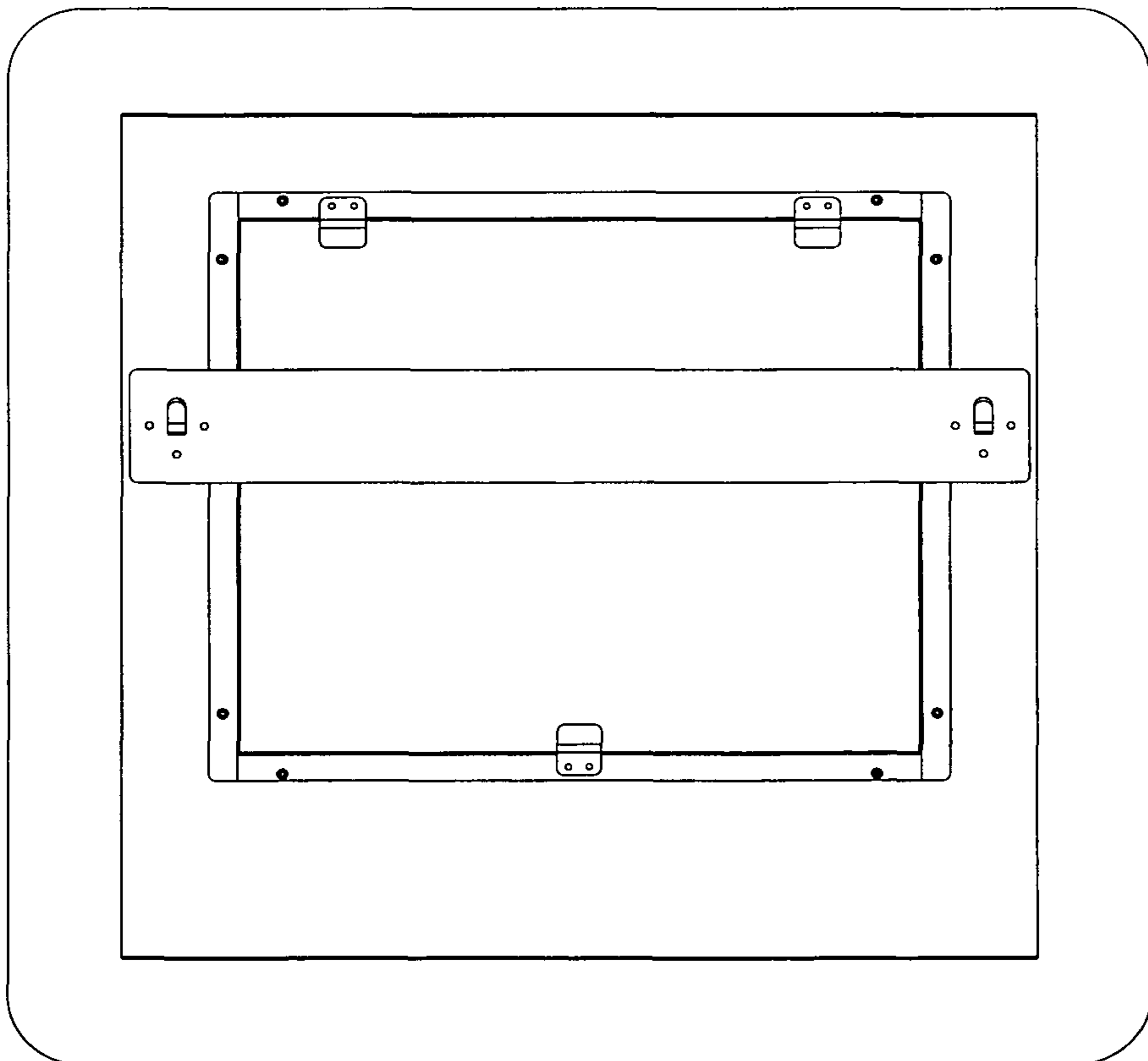


Fig. 3

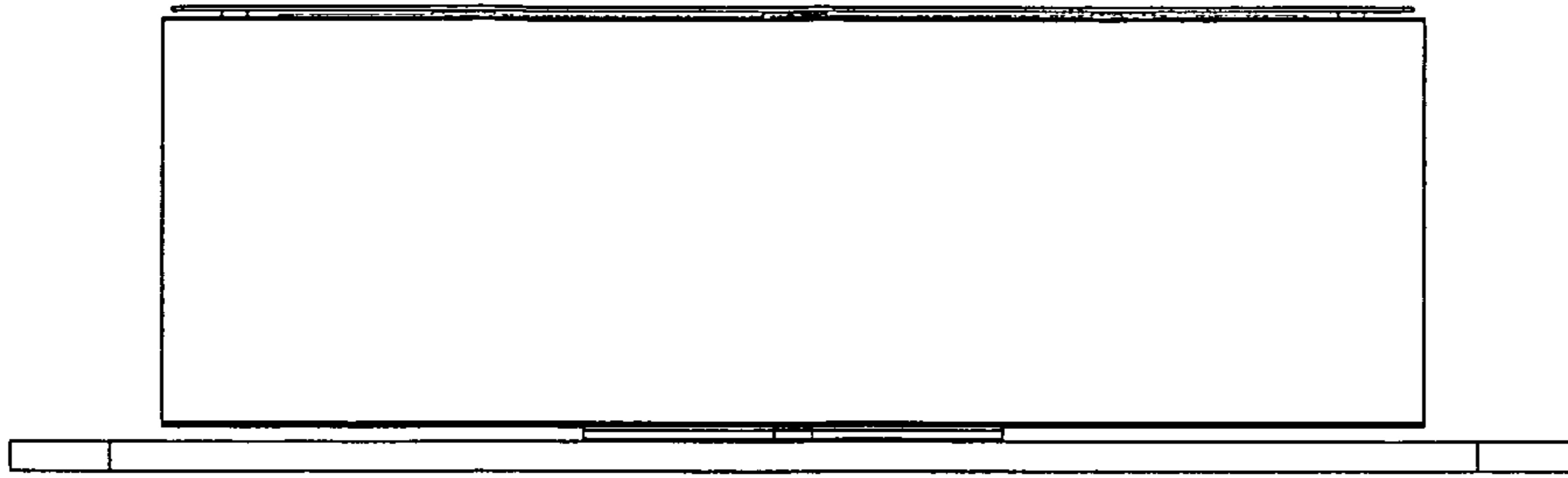


Fig. 4

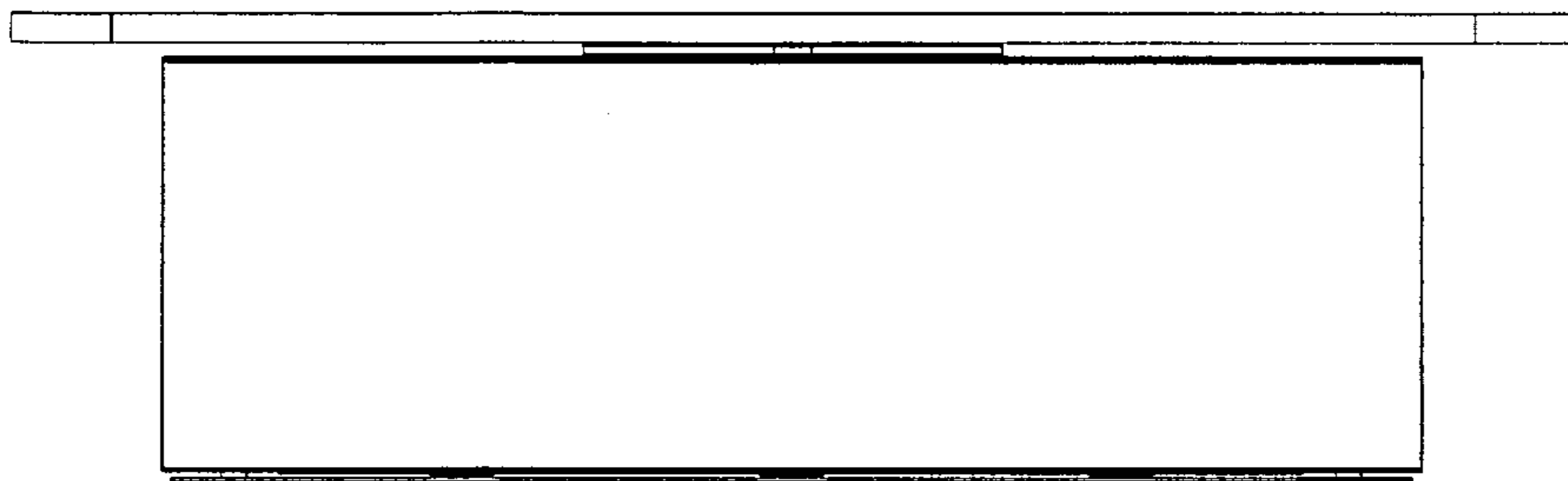


Fig. 5

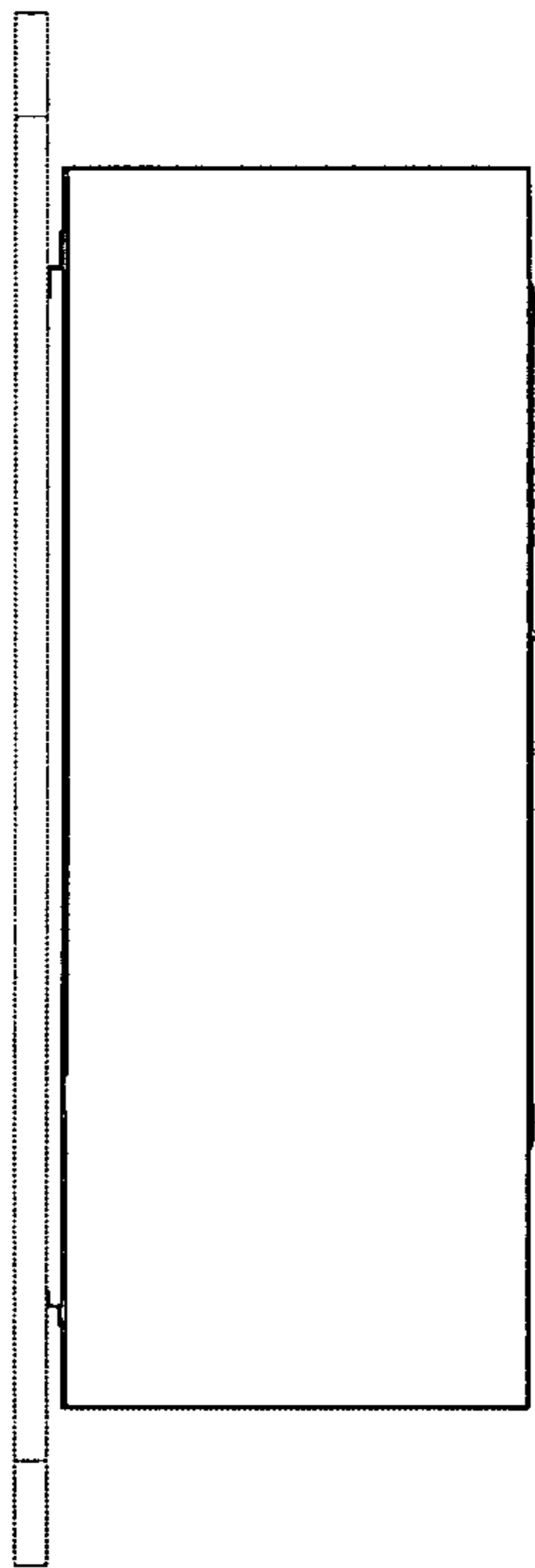


Fig. 6

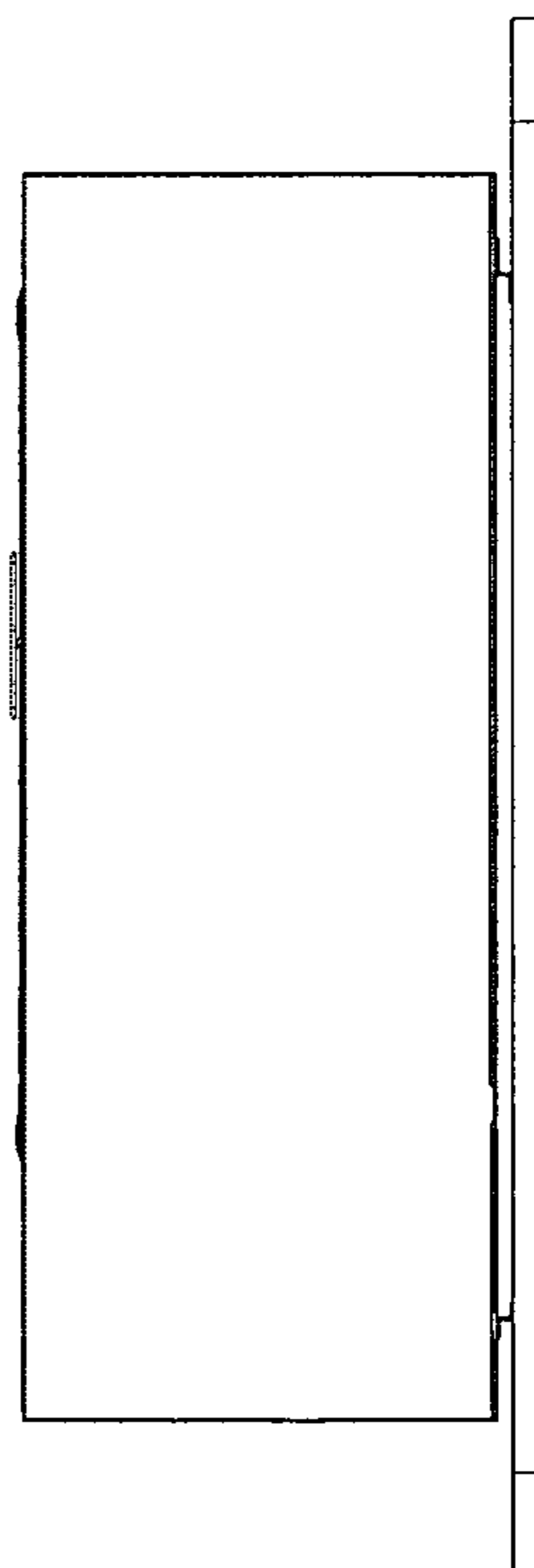


Fig. 7

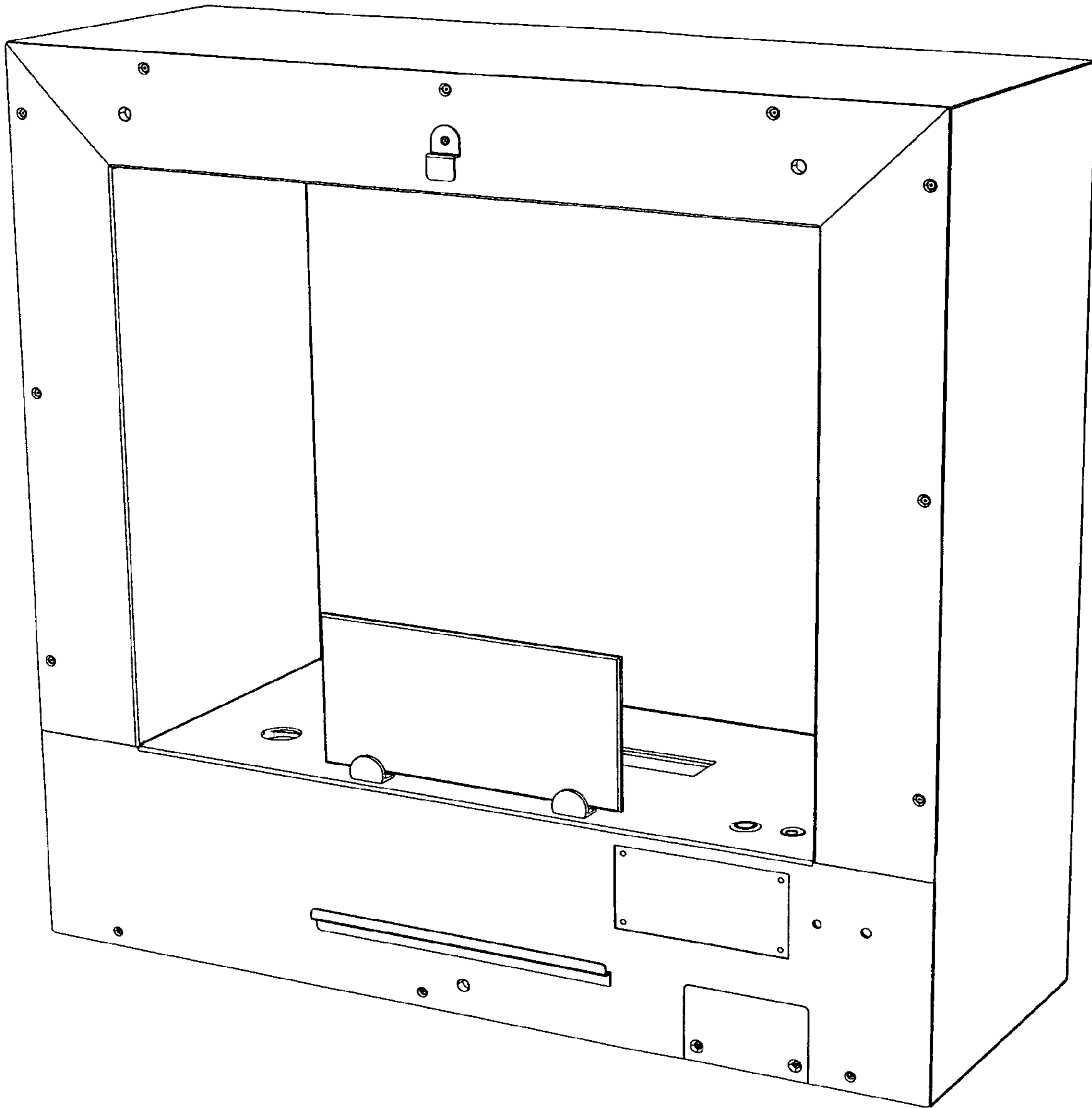


Fig. 8

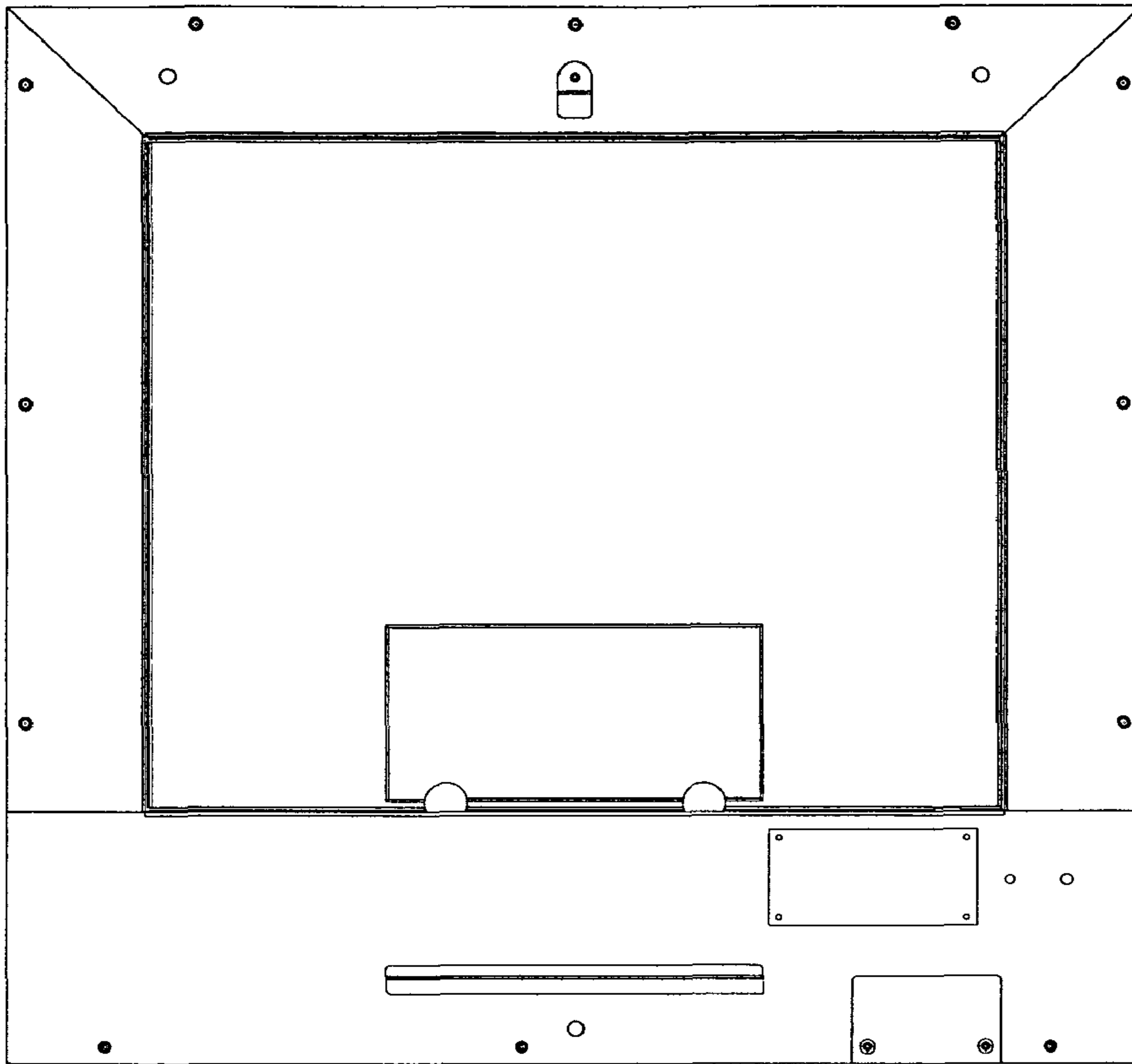


Fig. 9

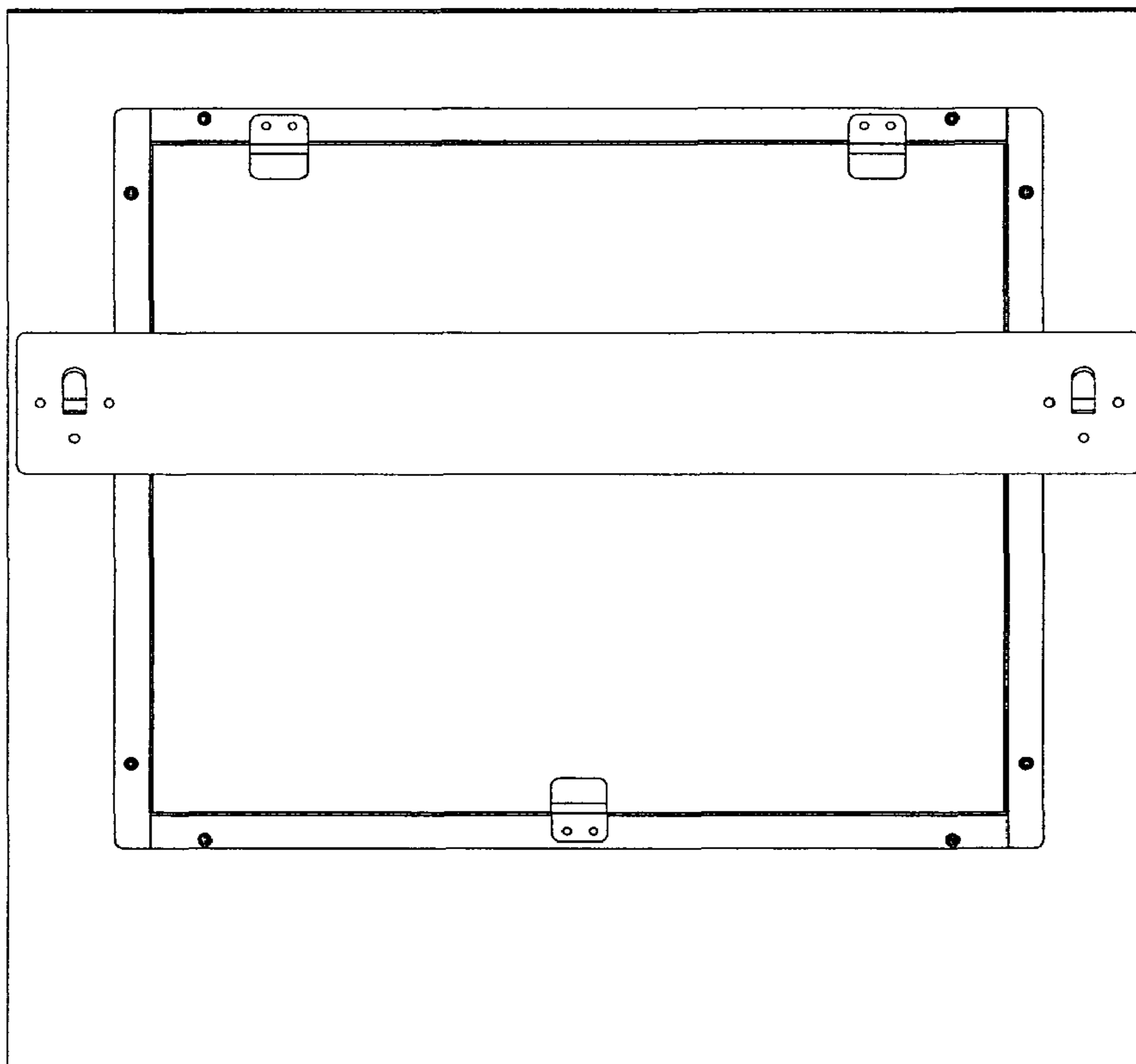


Fig. 10

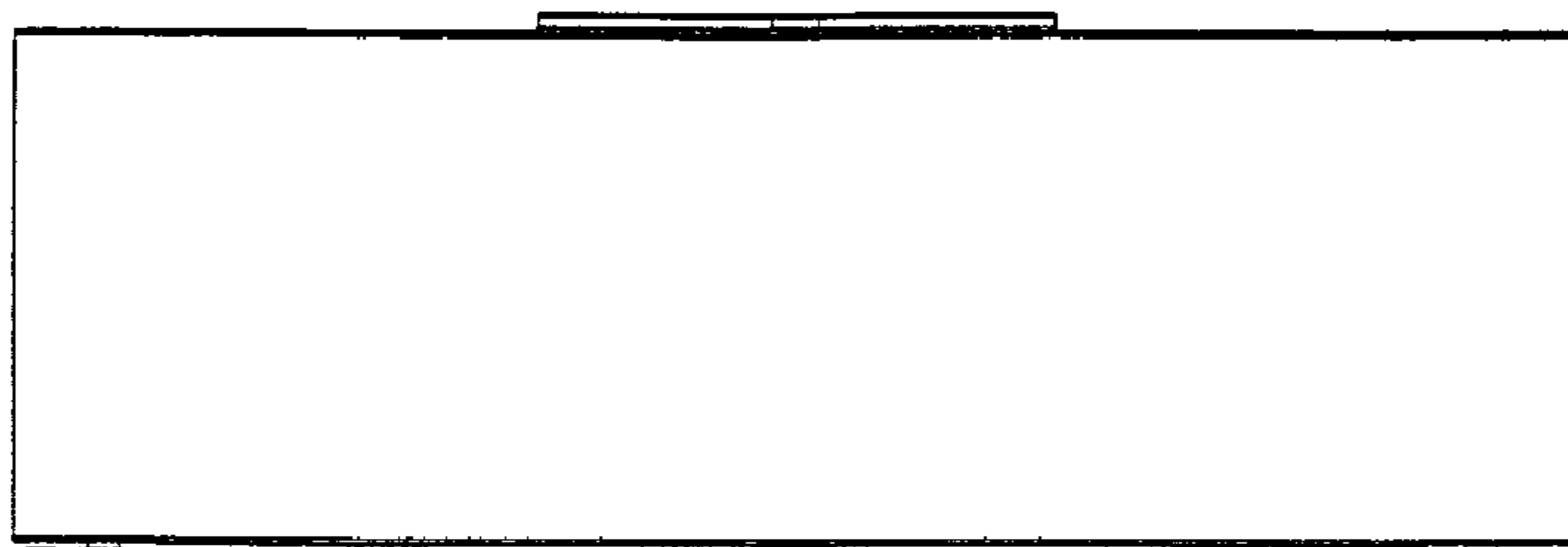


Fig. 11

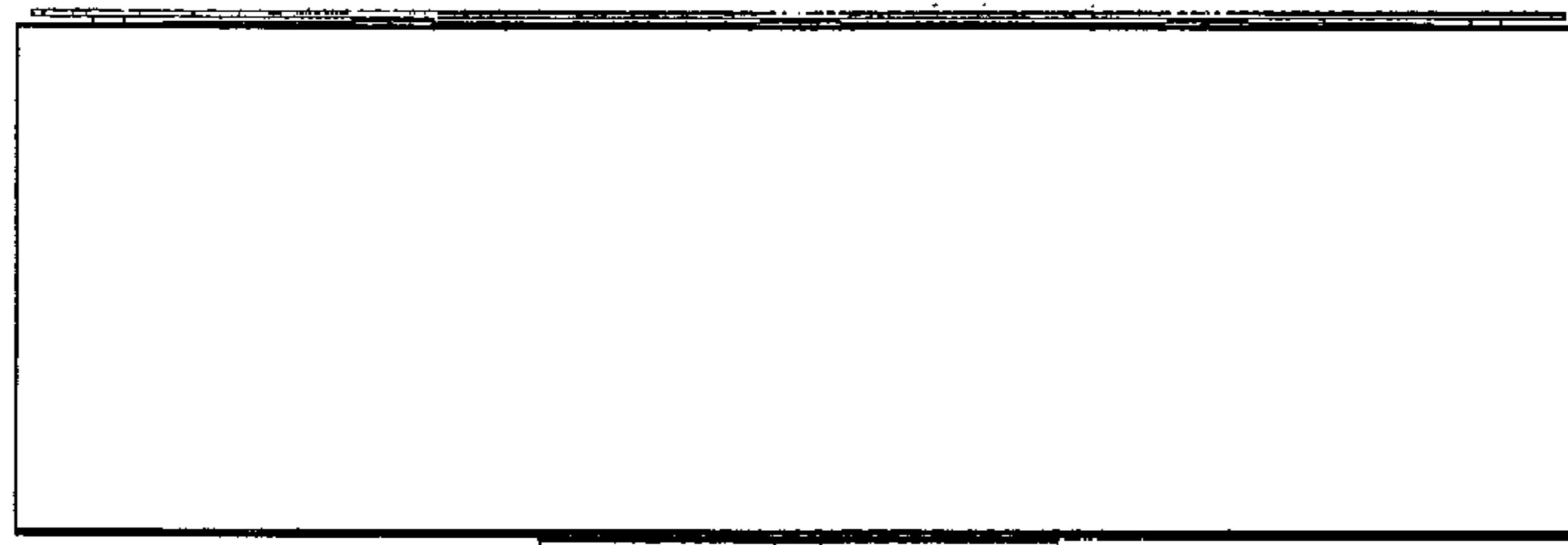


Fig. 12

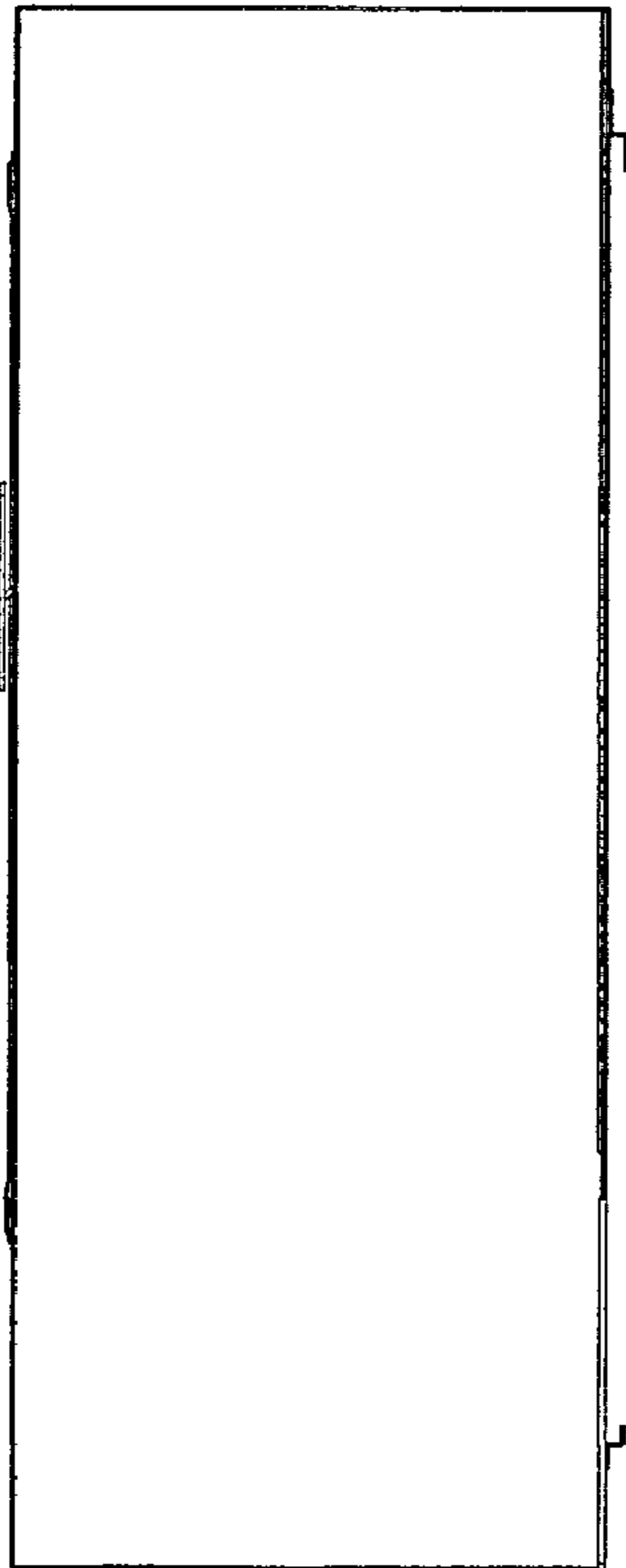


Fig. 13

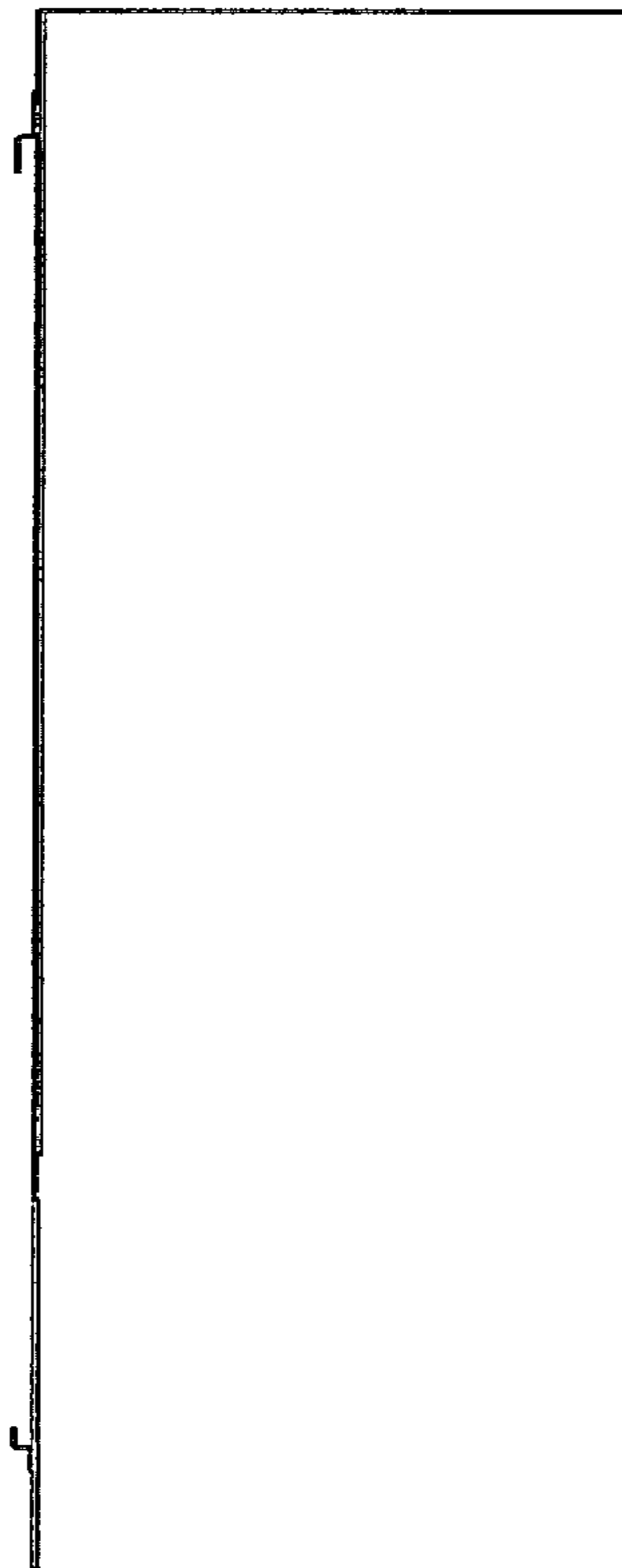


Fig. 14



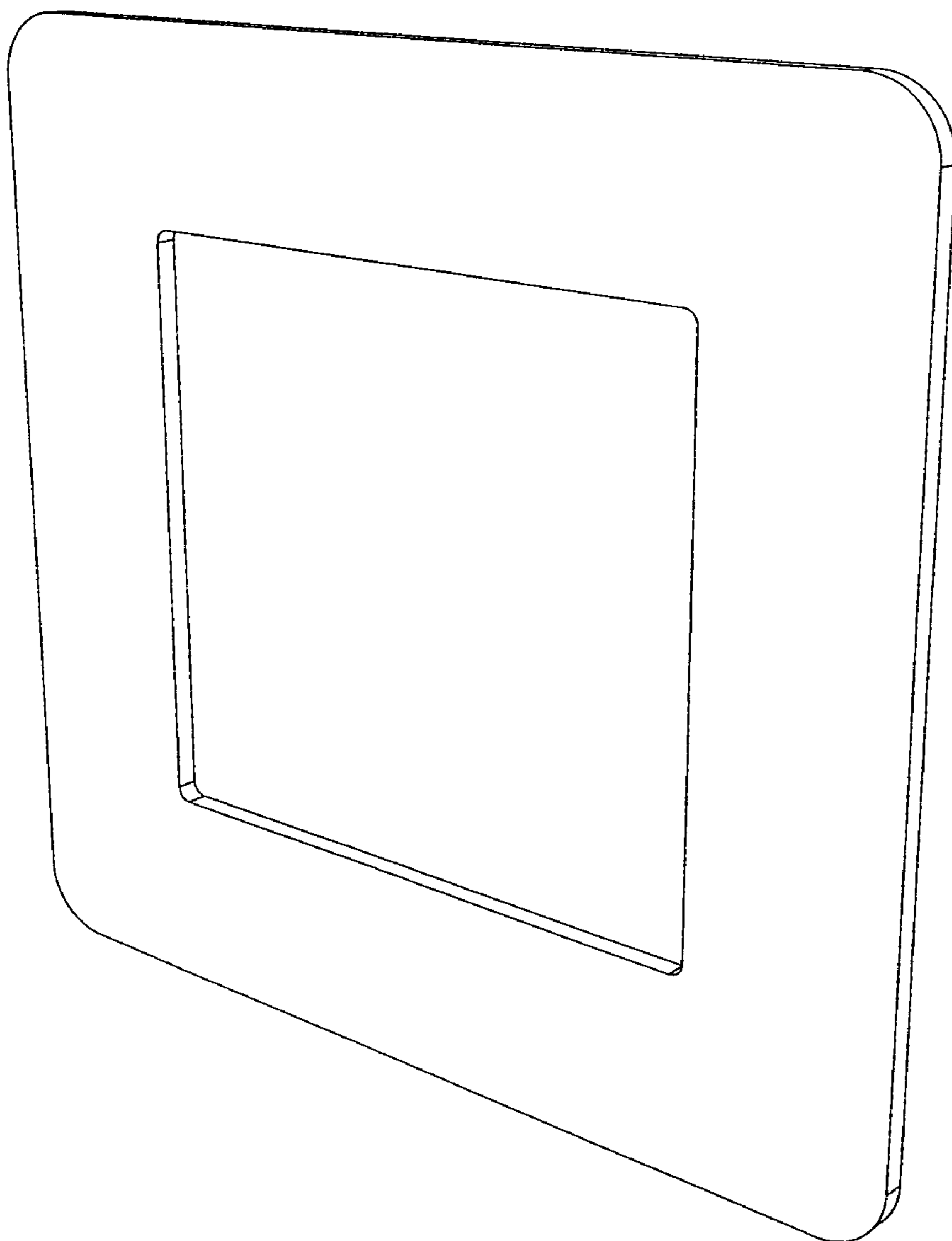


Fig. 15

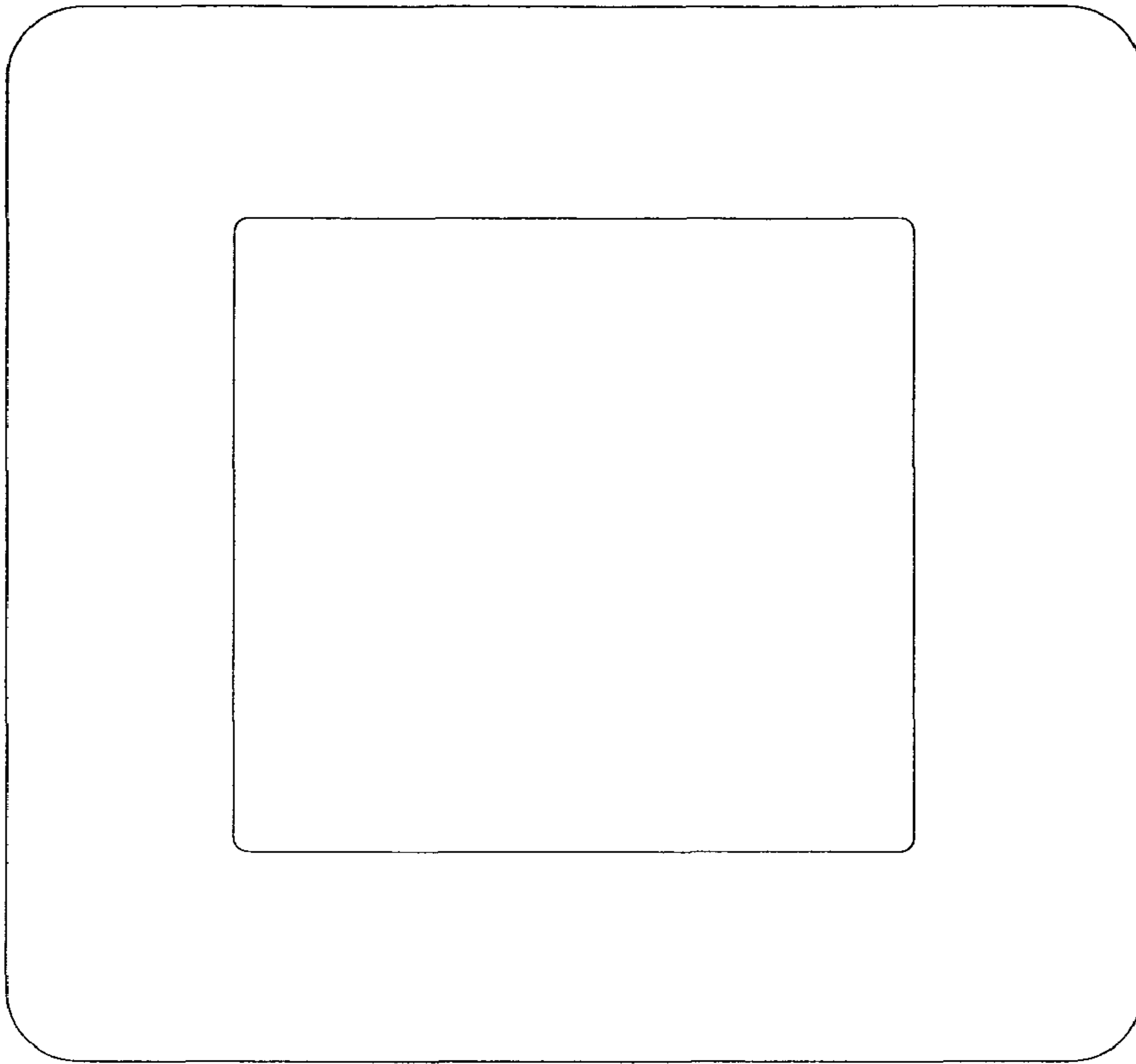


Fig. 16

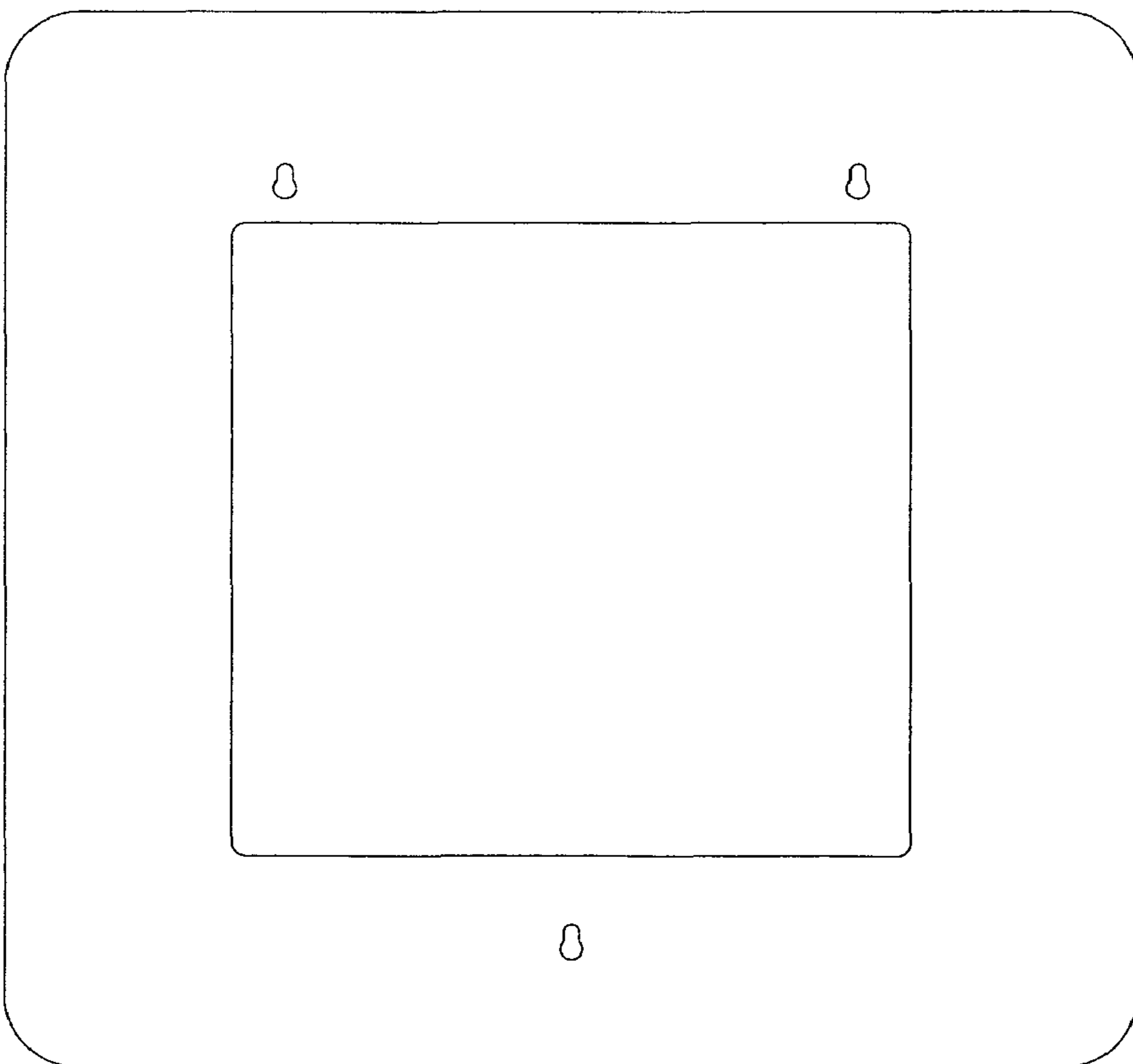


Fig. 17

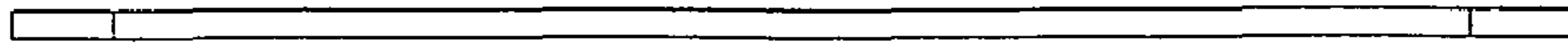


Fig. 18

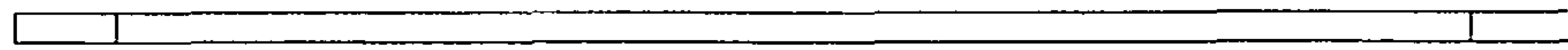


Fig. 19



Fig. 20

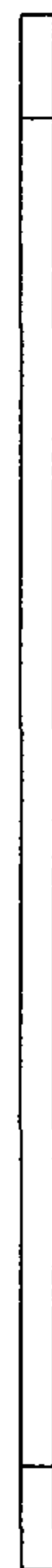


Fig. 21

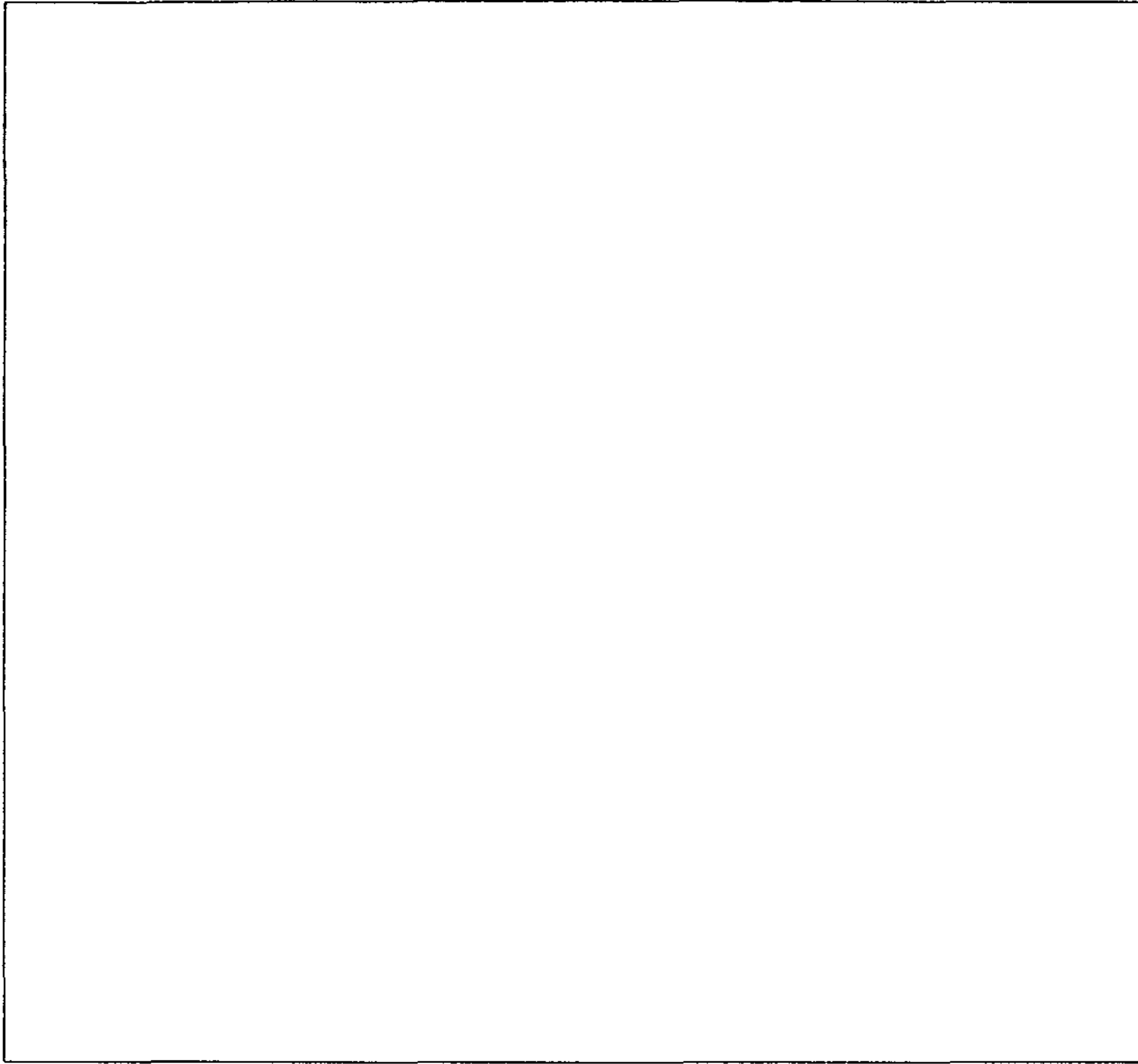


Fig. 22

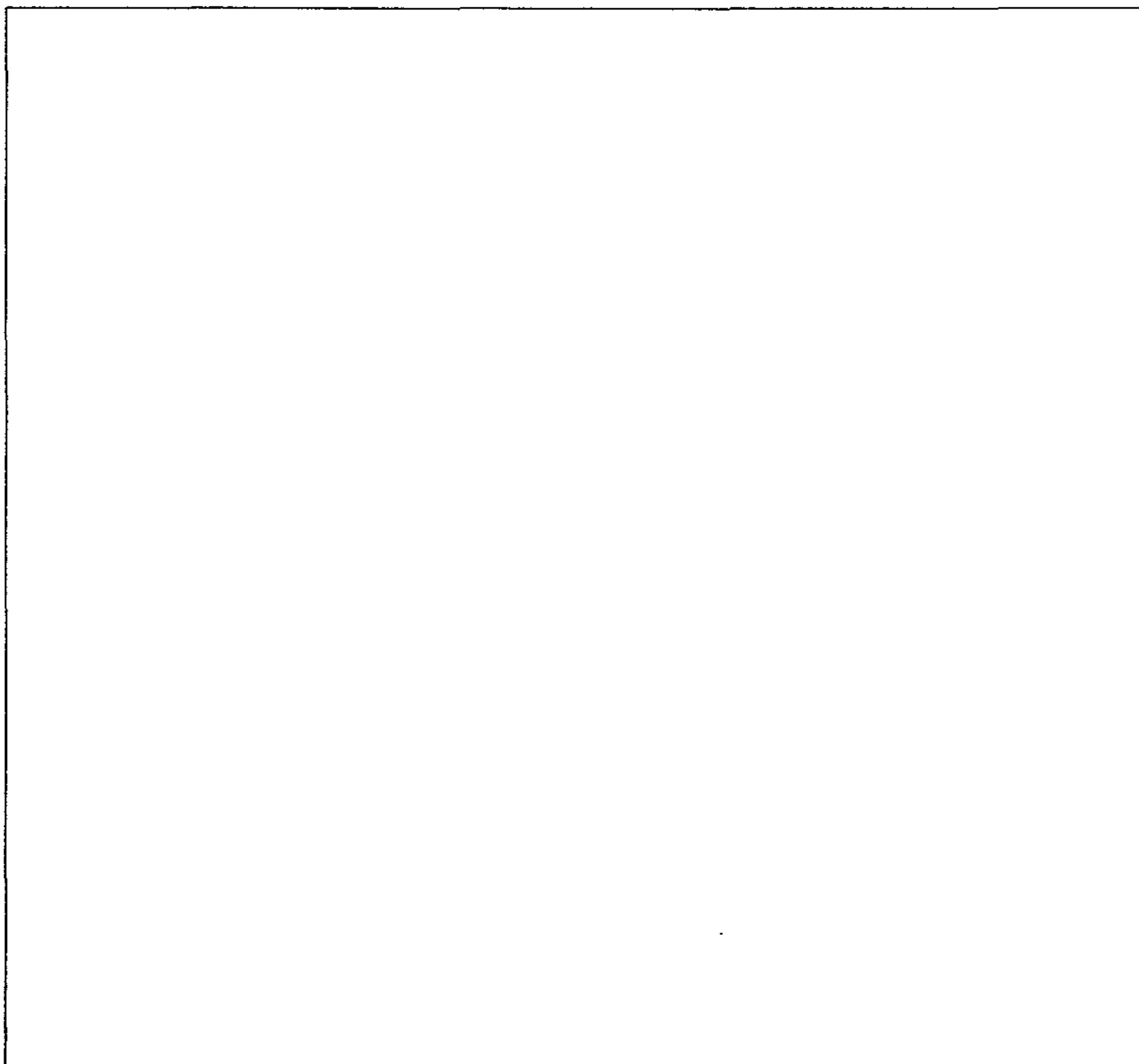


Fig. 23

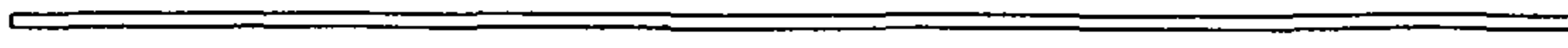


Fig. 24

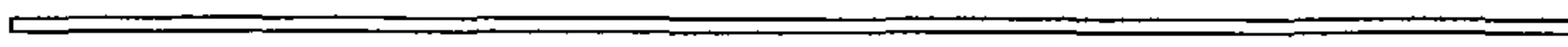


Fig. 25



Fig. 26

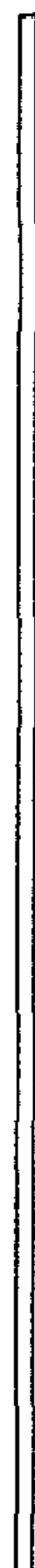


Fig. 27