



US00D674890S

(12) **United States Design Patent**
Mims

(10) **Patent No.:** **US D674,890 S**
(45) **Date of Patent:** **** Jan. 22, 2013**

(54) **CORNER ASSEMBLY FOR GREASE CONTAINMENT APPARATUS**

(75) Inventor: **Shawn William Boland Mims**, Raleigh, NC (US)

(73) Assignee: **Dunnwell, LLC**, Durham, NC (US)

(**) Term: **14 Years**

(21) Appl. No.: **29/390,953**

(22) Filed: **Apr. 30, 2011**

(51) **LOC (9) Cl.** **23-04**

(52) **U.S. Cl.** **D23/386**

(58) **Field of Classification Search** D13/179;
D23/370-394, 411-414; D26/51, 59, 72,
D26/81-86; 34/169; 52/302.1, 302.7; 55/DIG. 36;
123/41.7; 126/58, 60, 61, 64-66, 84, 299 D-299 F,
126/299 R, 300, 301, 312, 531; 138/118,
138/121, 172, 173, 177; 165/54, 59; 285/133.6;
392/364; 415/126, 127, 213.1, 214.1; 416/5,
416/204 R, 210 R, 234, 237, 244 R, 247 R;
454/41, 42, 233, 236, 250-253, 275-277,
454/284, 309, 367, 368

See application file for complete search history.

(56) **References Cited**

U.S. PATENT DOCUMENTS

| | | | | |
|---------------|---------|-------------------|-------|---------|
| D35,342 S * | 11/1901 | Boeck | | D23/386 |
| 3,520,093 A * | 7/1970 | Painter | | 454/356 |
| D233,604 S * | 11/1974 | Weber et al. | | D23/370 |
| 4,113,617 A | 9/1978 | Bereskin et al. | | |
| 4,635,617 A | 1/1987 | Simonsen | | |
| 4,869,236 A | 9/1989 | Blough | | |
| 5,318,607 A | 6/1994 | Malloy et al. | | |
| 6,010,558 A | 1/2000 | Ackland | | |
| 6,143,047 A | 11/2000 | Jodoin et al. | | |
| 6,391,074 B1 | 5/2002 | McCrary | | |
| 6,468,323 B1 | 10/2002 | Chwala | | |
| 6,676,723 B2 | 1/2004 | Chwala | | |
| 6,716,099 B2 | 4/2004 | Pfleiderer et al. | | |

| | | | | |
|-------------------|--------|--------------|-------|--------|
| 7,037,359 B1 | 5/2006 | McCauley | | |
| 7,244,283 B2 | 7/2007 | Mirza | | |
| D640,783 S | 6/2011 | Dunn | | |
| 2004/0040219 A1 * | 3/2004 | Bacik et al. | | 52/11 |
| 2009/0114094 A1 | 5/2009 | Clapp et al. | | |
| 2010/0199618 A1 * | 8/2010 | Tomkiewicz | | 55/421 |

OTHER PUBLICATIONS

“Photograph of grease containment system with single sump (lower center) attached to base of rooftop grease exhauster fan”, Nov. 2008, p. 1.

* cited by examiner

Primary Examiner — Garth Rademaker

(74) *Attorney, Agent, or Firm* — Vincent K. Gustafson; Jenkins, Wilson, Taylor & Hunt, P.A.

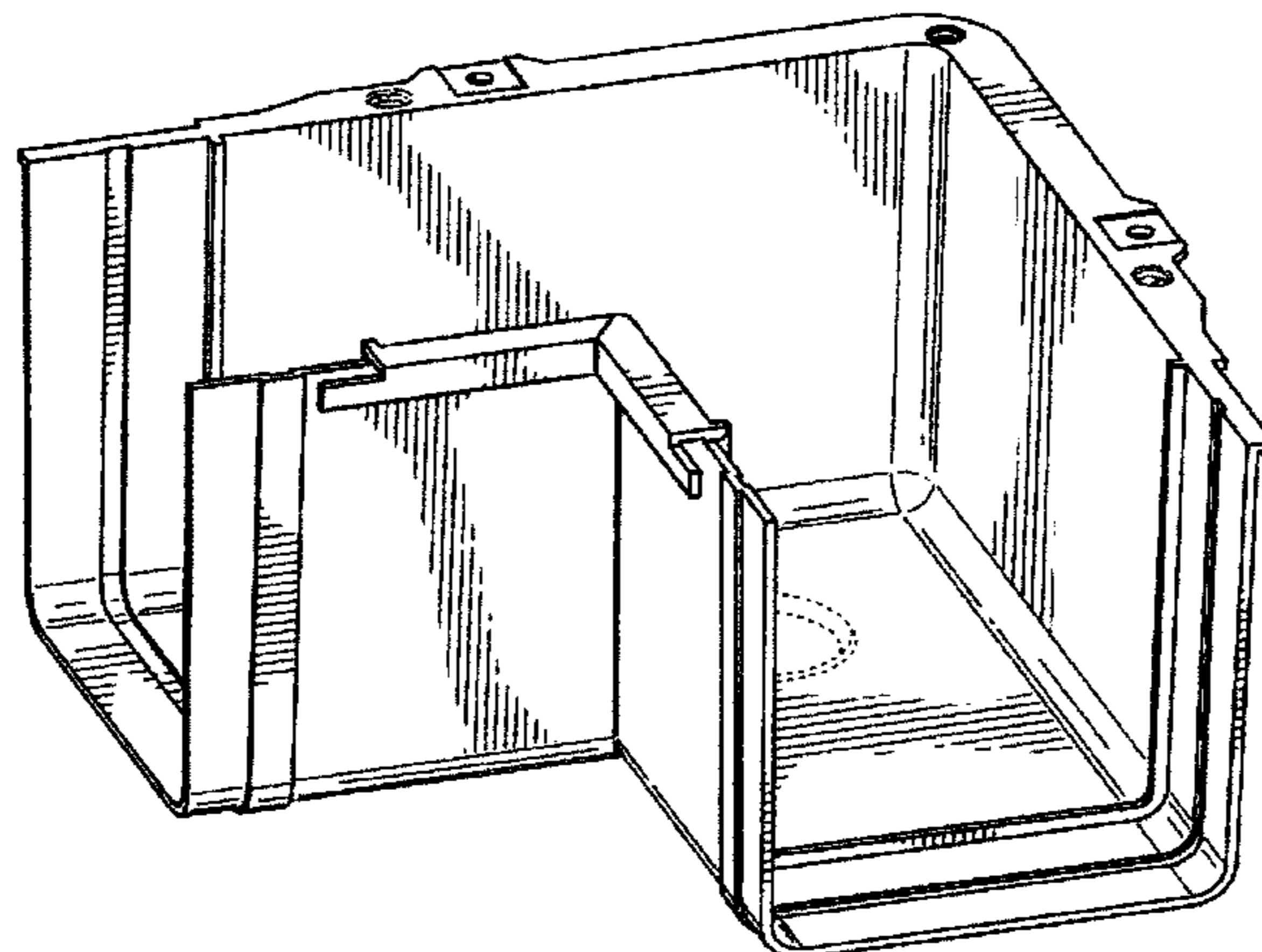
(57) **CLAIM**

The ornamental design for a corner assembly for a grease containment apparatus, as shown and described.

DESCRIPTION

FIG. 1 is a perspective view of a corner assembly for a grease containment apparatus according to my new design; FIG. 2 is a front elevation view of the corner assembly for a grease containment apparatus; FIG. 3 is a left elevation view of the corner assembly for a grease containment apparatus; FIG. 4 is a right side elevation view of the corner assembly for a grease containment apparatus; FIG. 5 is a rear elevation view of the corner assembly for a grease containment apparatus; FIG. 6 is a top plan view of the corner assembly for a grease containment apparatus; and, FIG. 7 is a bottom plan view of the corner assembly for a grease containment apparatus. The broken lines depict environmental subject matter only and form no part of the claimed design.

1 Claim, 7 Drawing Sheets



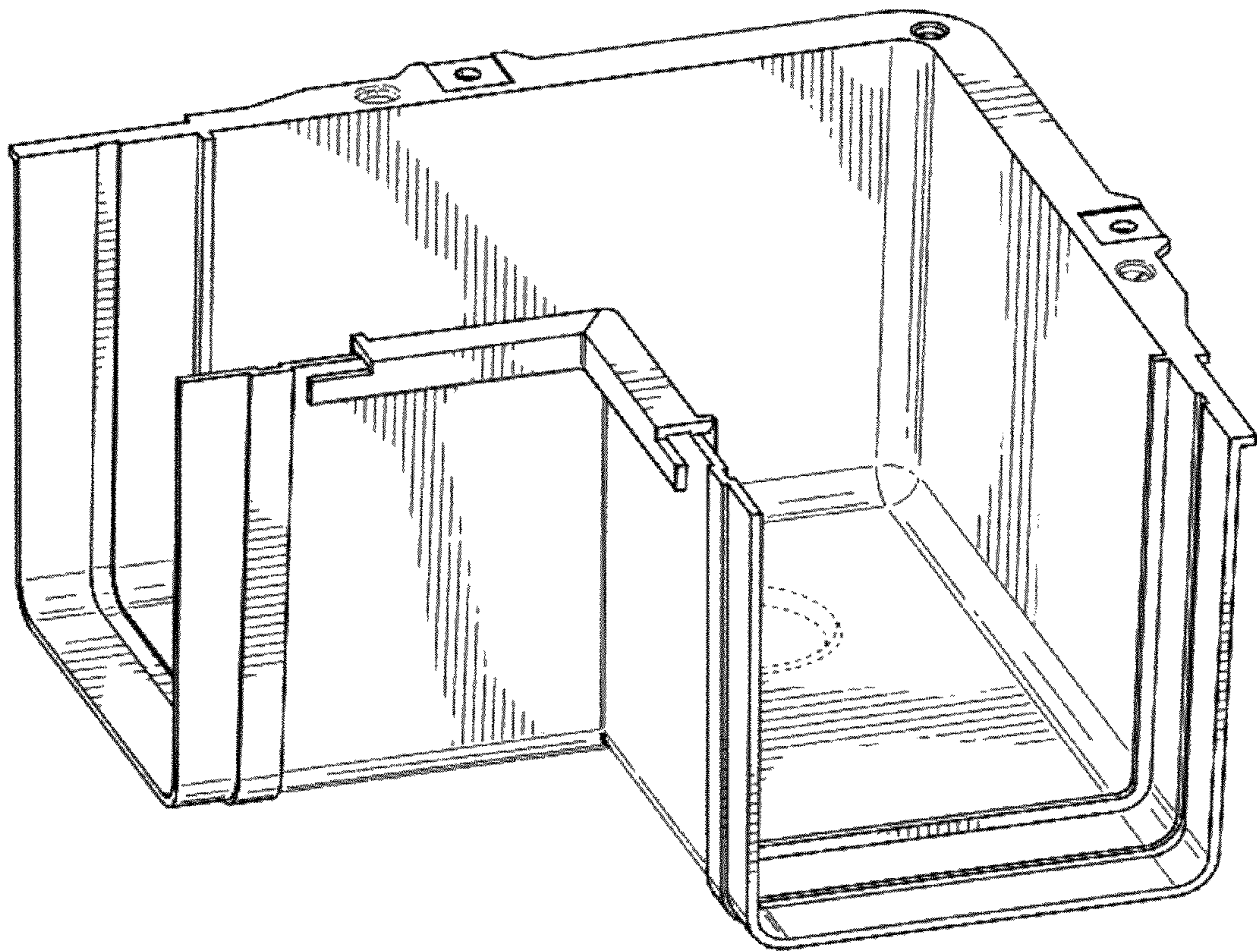


FIG. 1

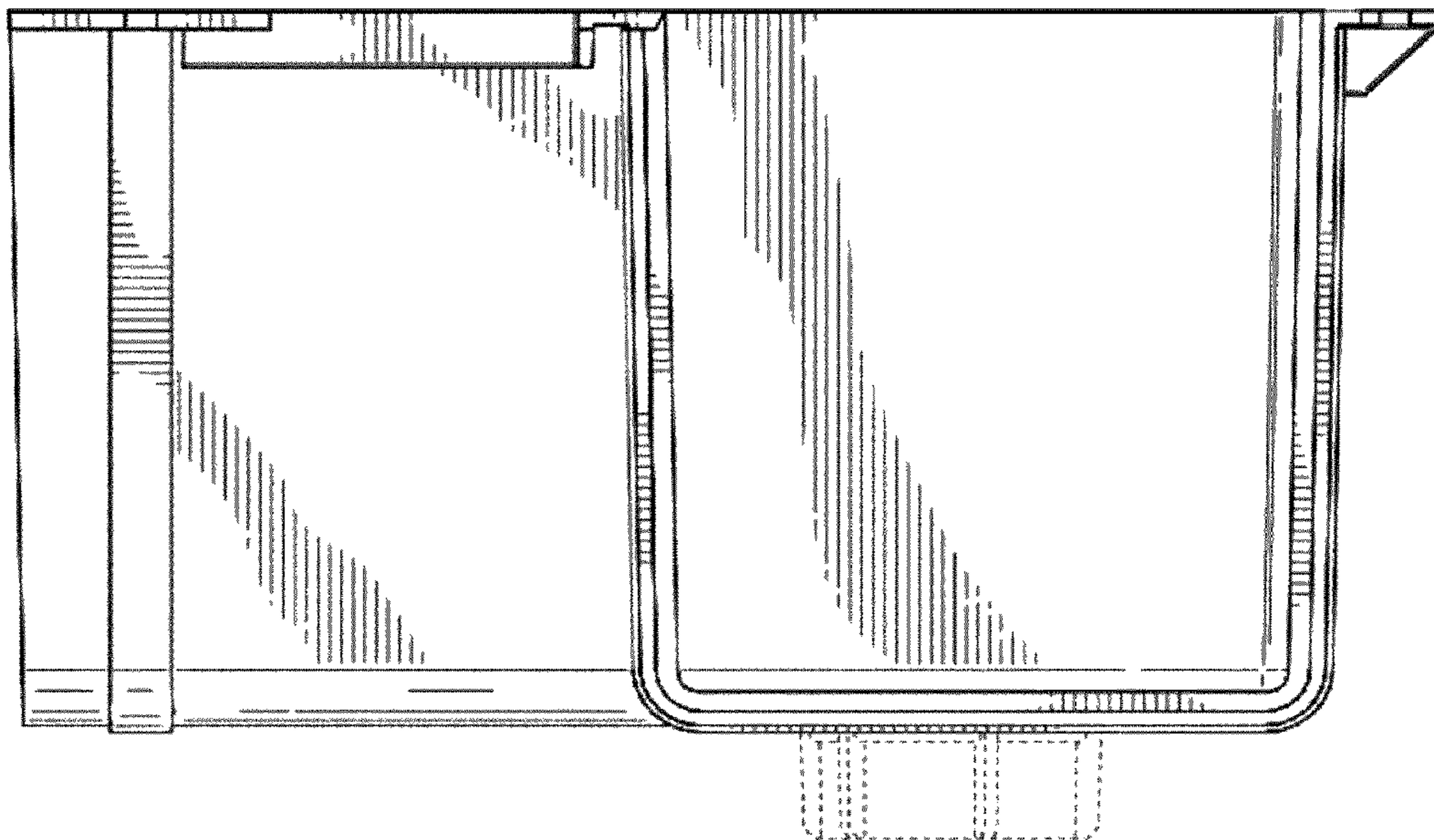


FIG. 2

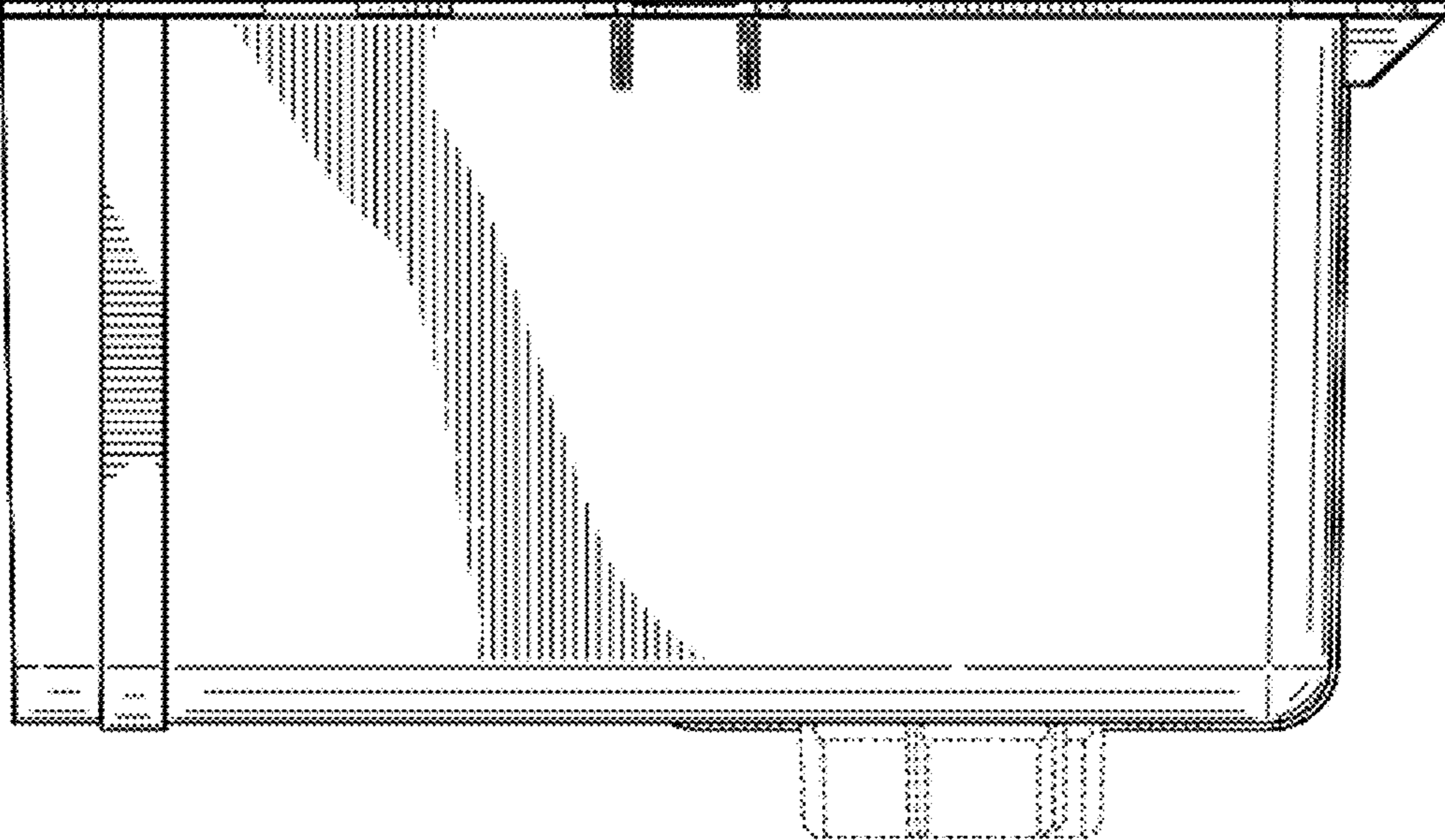


FIG. 3

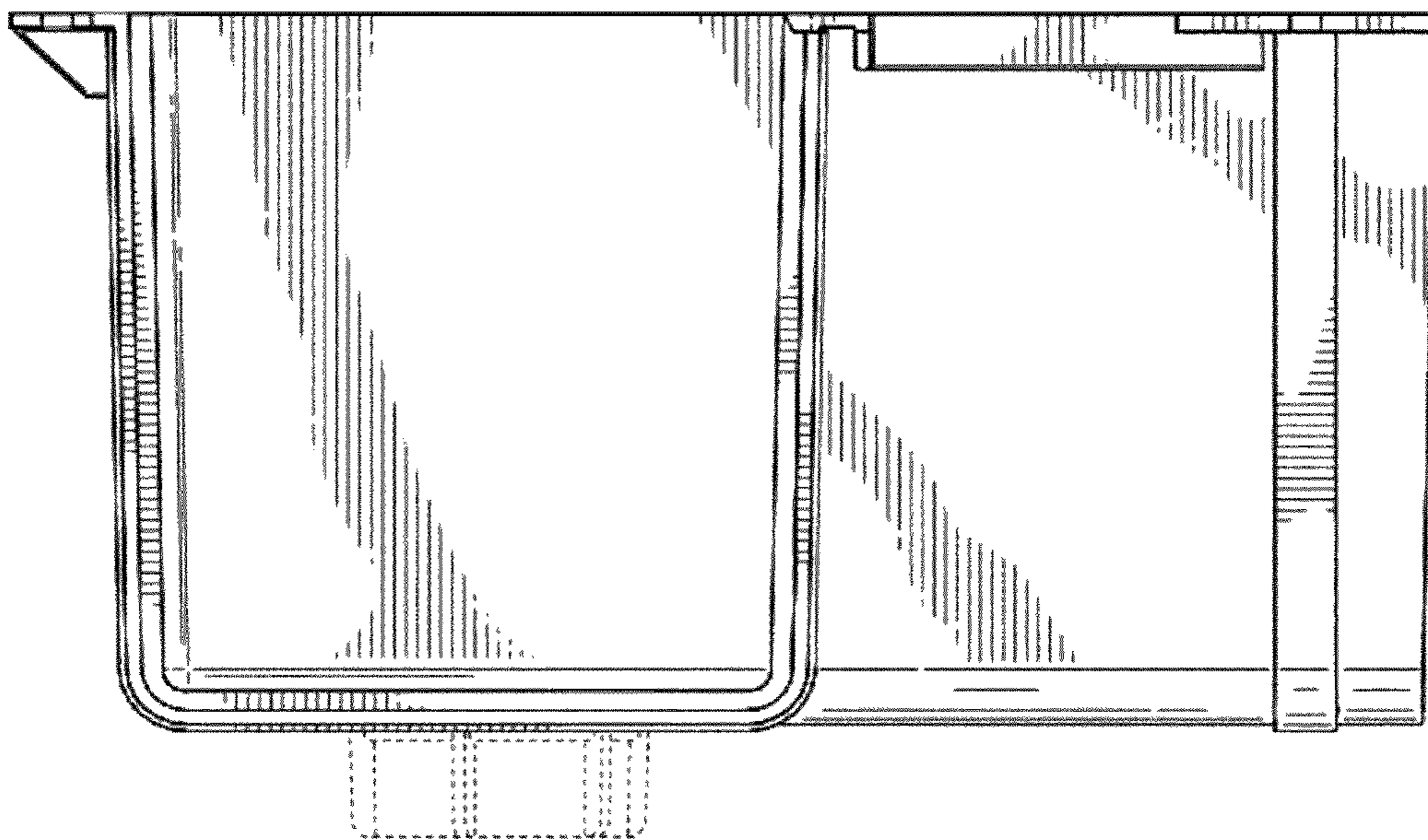


FIG. 4

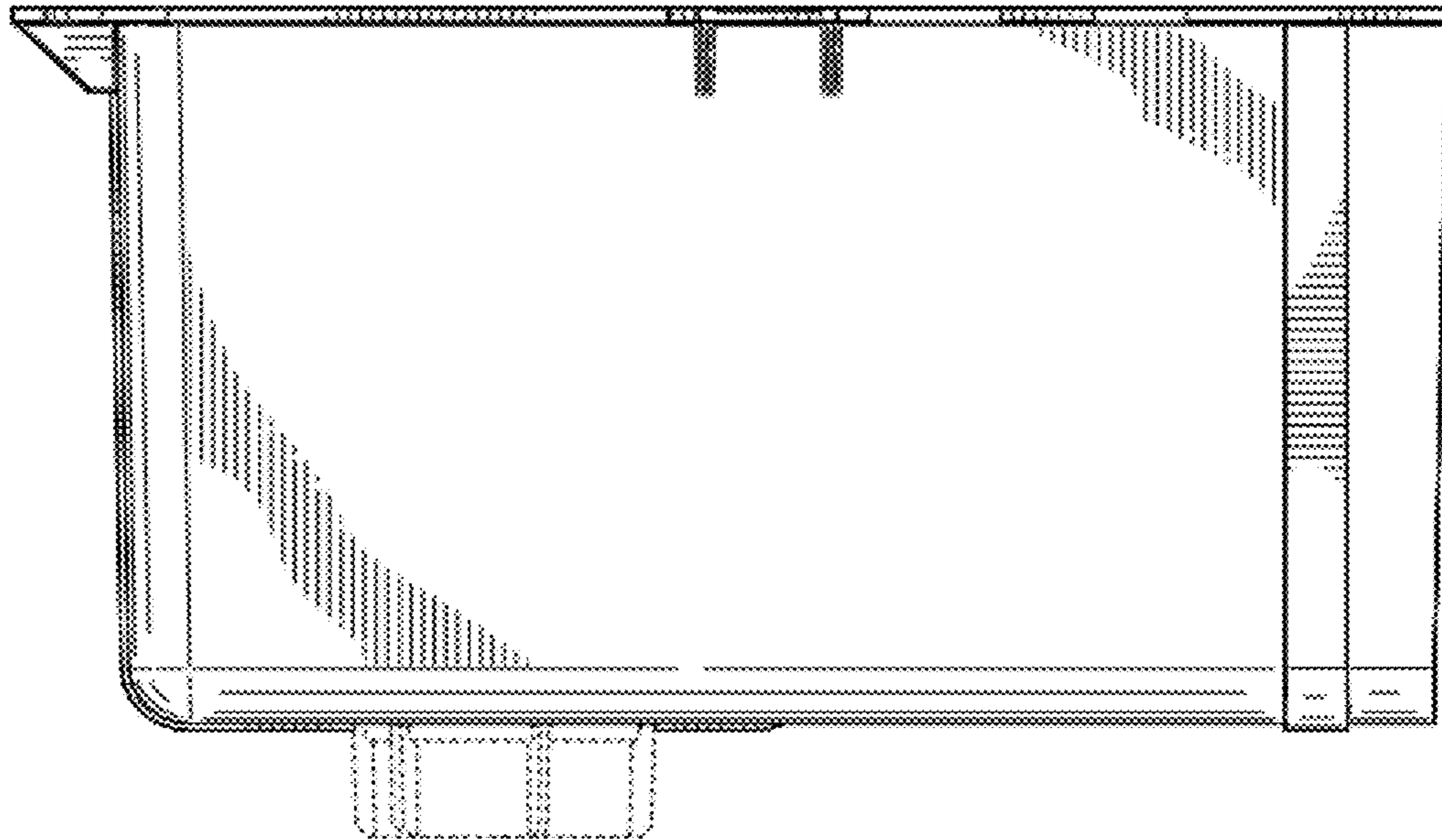


FIG. 5

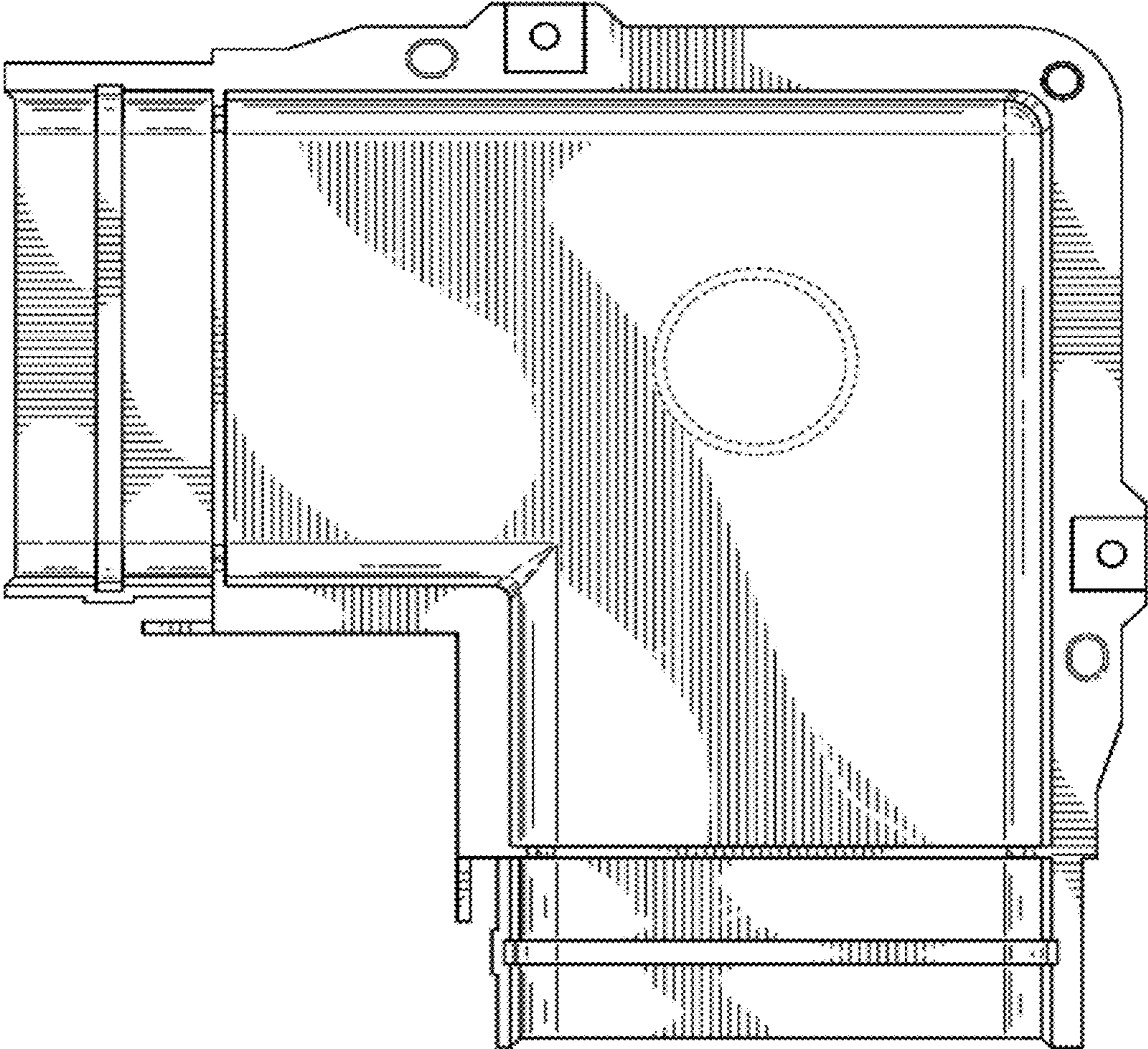


FIG. 6

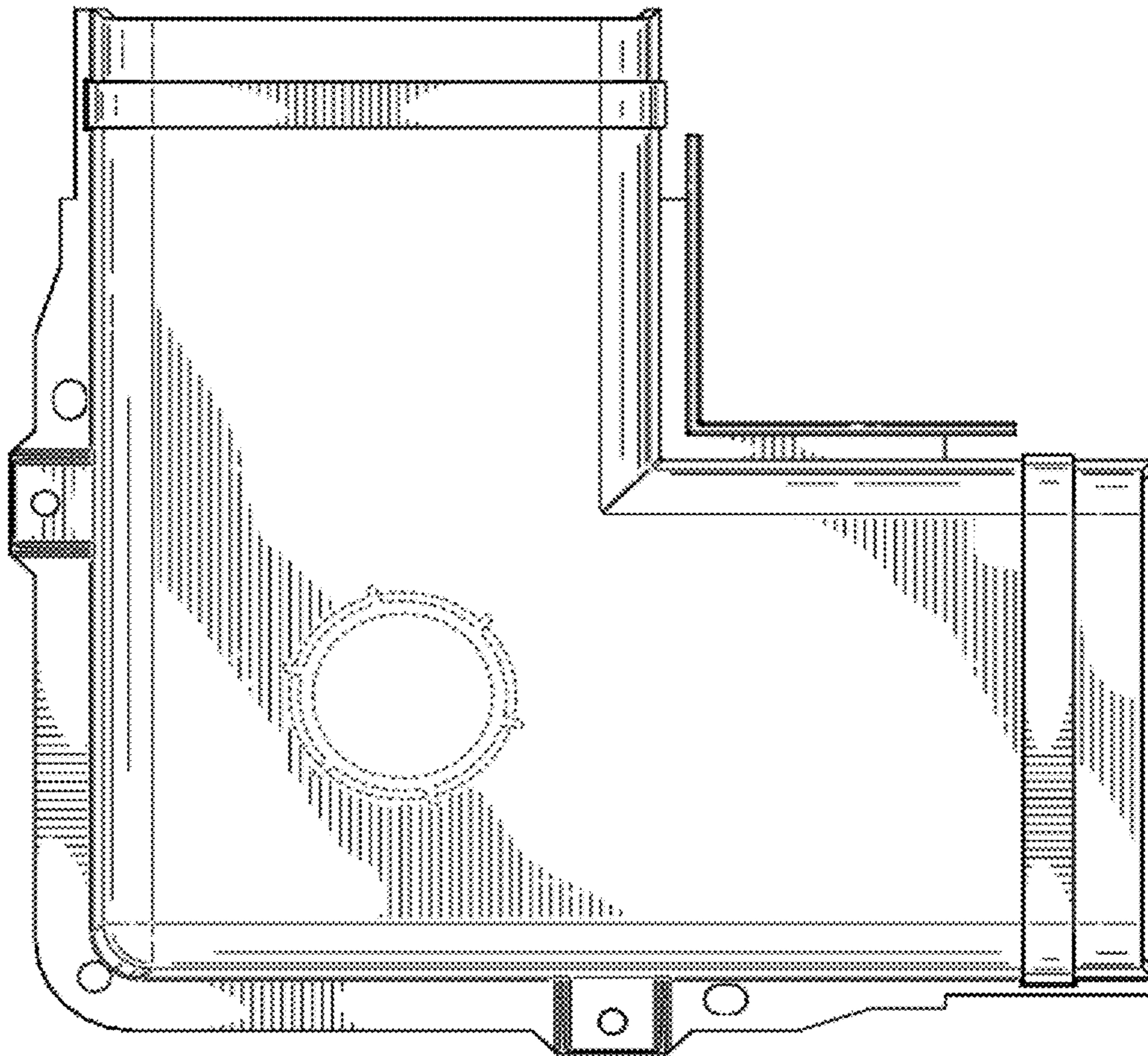


FIG. 7