



US00D674889S

(12) **United States Design Patent**
Mims

(10) **Patent No.:** **US D674,889 S**
(45) **Date of Patent:** **** Jan. 22, 2013**

(54) **GUTTER FOR GREASE CONTAINMENT APPARATUS**

(75) Inventor: **Shawn William Boland Mims**, Raleigh, NC (US)

(73) Assignee: **Dunnwell, LLC**, Durham, NC (US)

(**) Term: **14 Years**

(21) Appl. No.: **29/390,952**

(22) Filed: **Apr. 30, 2011**

(51) **LOC (9) Cl.** **23-04**

(52) **U.S. Cl.** **D23/386**

(58) **Field of Classification Search** D13/179;
D23/370-394, 411-414; D26/51, 59, 72,
D26/81-86; 34/169; 52/302.1, 302.7; 55/DIG. 36;
123/41.7; 126/58, 60, 61, 64-66, 84, 299 D-299 F,
126/299 R, 300, 301, 312, 531; 138/118,
138/121, 172, 173, 177; 165/54, 59; 285/133.6;
392/364; 415/126, 127, 213.1, 214.1; 416/5,
416/204 R, 210 R, 234, 237, 244 R, 247 R;
454/41, 42, 233, 236, 250-253, 275-277,
454/284, 309, 367, 368

See application file for complete search history.

(56) **References Cited**

U.S. PATENT DOCUMENTS

D35,342 S *	11/1901	Boeck	D23/386
D223,577 S *	5/1972	Dowdell et al.	D23/388
D233,604 S *	11/1974	Weber et al.	D23/370
4,113,617 A	9/1978	Bereskin et al.	
4,635,617 A	1/1987	Simonsen	
4,869,236 A	9/1989	Blough	
5,196,040 A	3/1993	Malloy et al.	
D340,110 S *	10/1993	Reed et al.	D23/389
5,318,607 A	6/1994	Malloy et al.	
6,010,558 A	1/2000	Ackland	
6,143,047 A	11/2000	Jodoin et al.	
6,391,074 B1	5/2002	McCrary	
6,468,323 B1	10/2002	Chwala	

6,676,723 B2	1/2004	Chwala	
6,716,099 B2	4/2004	Pfleiderer et al.	
7,037,359 B1	5/2006	McCauley	
7,244,283 B2	7/2007	Mirza	
D640,782 S	6/2011	Dunn	
2004/0040219 A1 *	3/2004	Bacik et al.	52/11
2009/0114094 A1	5/2009	Clapp et al.	
2010/0199618 A1 *	8/2010	Tomkiewicz	55/421

OTHER PUBLICATIONS

“Photograph of grease containment system with single sump (lower center) attached to base of rooftop grease exhauster fan”, Nov. 2008, p. 1.

* cited by examiner

Primary Examiner — Garth Rademaker

(74) *Attorney, Agent, or Firm* — Vincent K. Gustafson; Jenkins, Wilson, Taylor & Hunt, P.A.

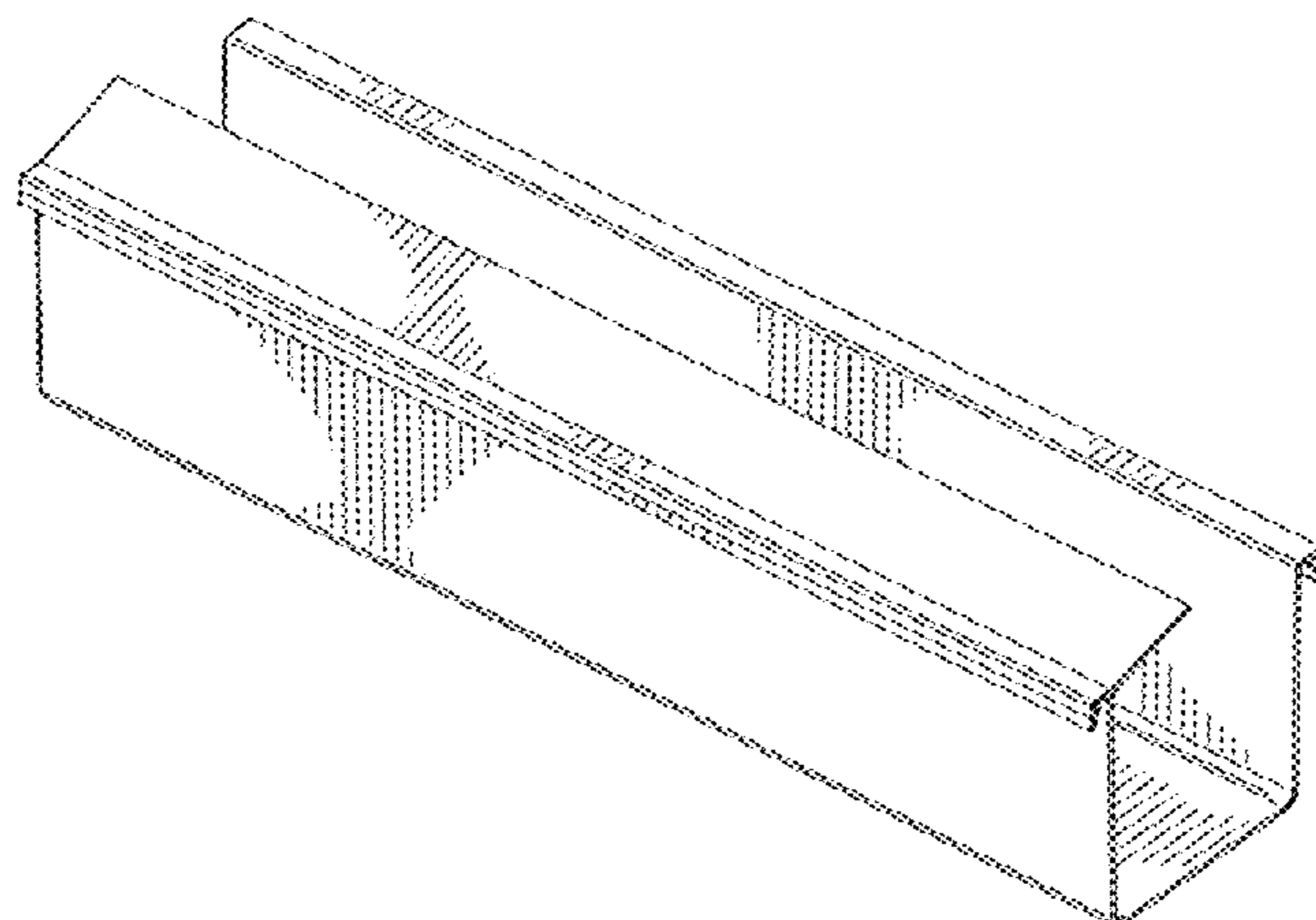
(57) **CLAIM**

The ornamental design for a gutter for a grease containment apparatus, as shown and described.

DESCRIPTION

FIG. 1 is a perspective view of a gutter for a grease containment apparatus according to my new design; FIG. 2 is a front elevation view of the gutter for a grease containment apparatus; FIG. 3 is a rear elevation view of the gutter for a grease containment apparatus; FIG. 4 is a right side elevation view of the gutter for a grease containment apparatus; FIG. 5 is a top plan view of the gutter for a grease containment apparatus; and, FIG. 6 is a bottom plan view of the gutter for a grease containment apparatus. The left side elevation view of the gutter for a grease containment apparatus is a mirror image of the right side elevation view thereof.

1 Claim, 4 Drawing Sheets



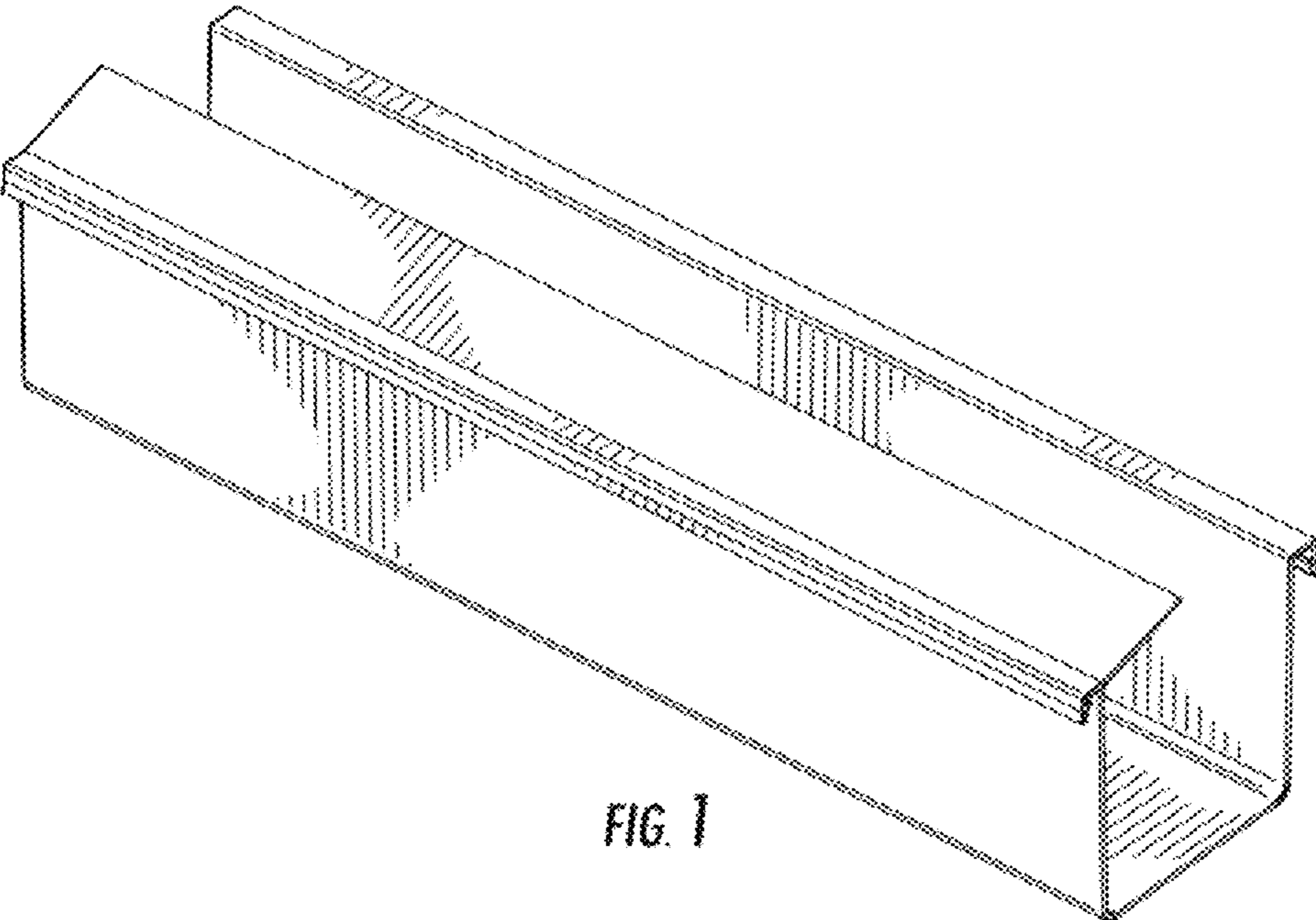


FIG. 1

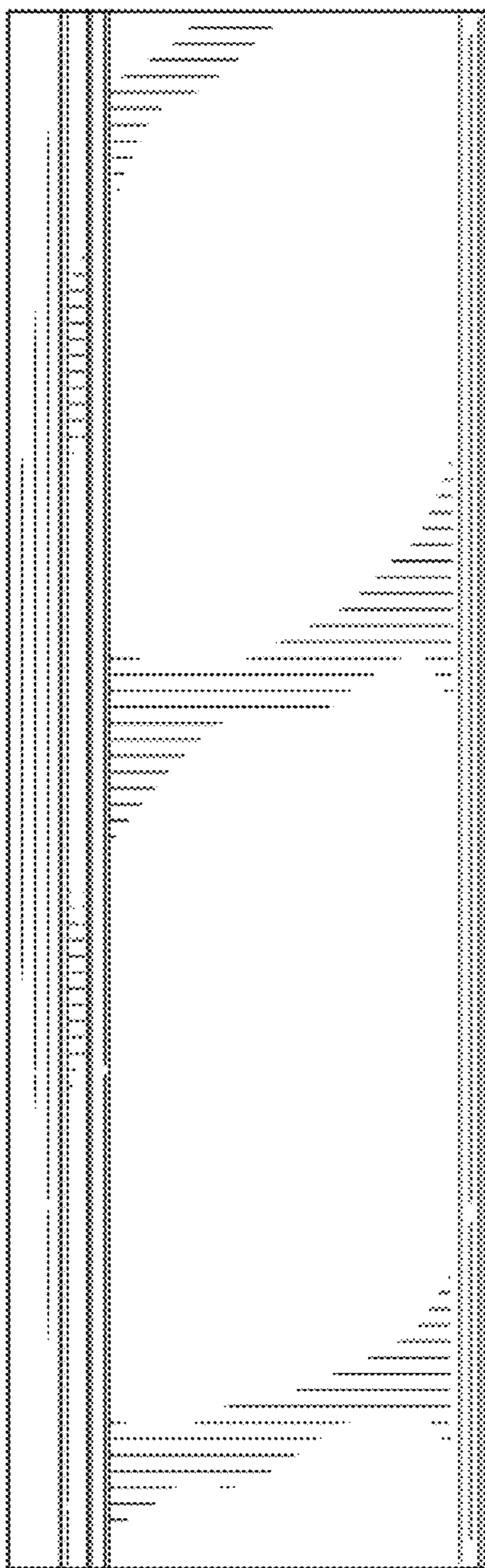


FIG. 2

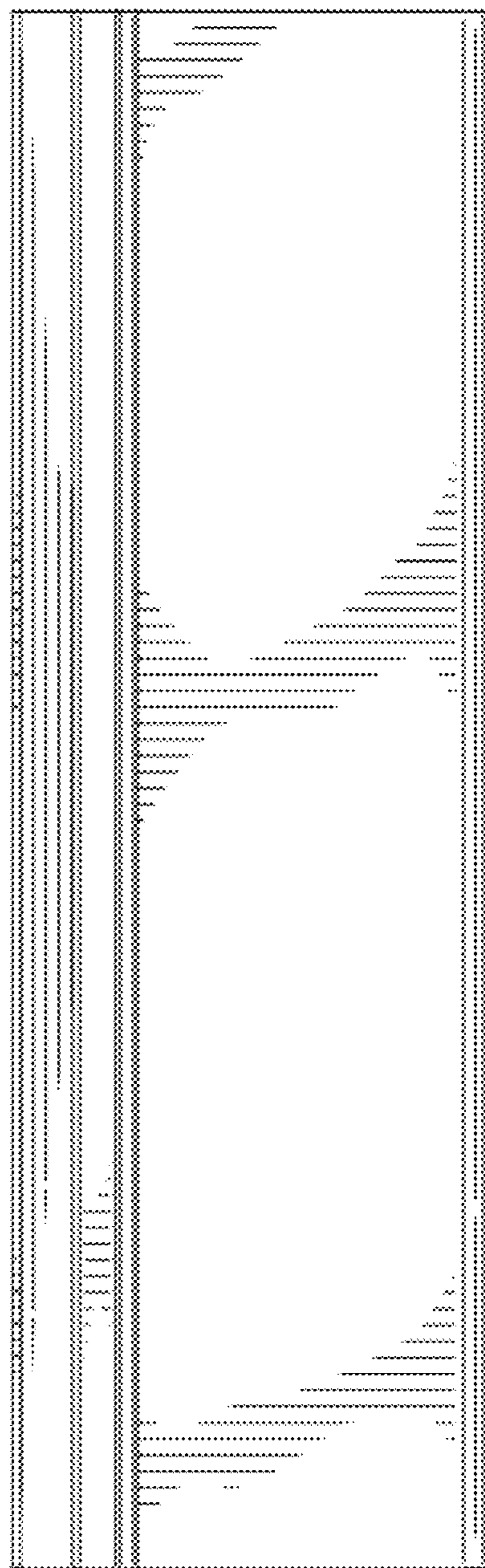


FIG. 3

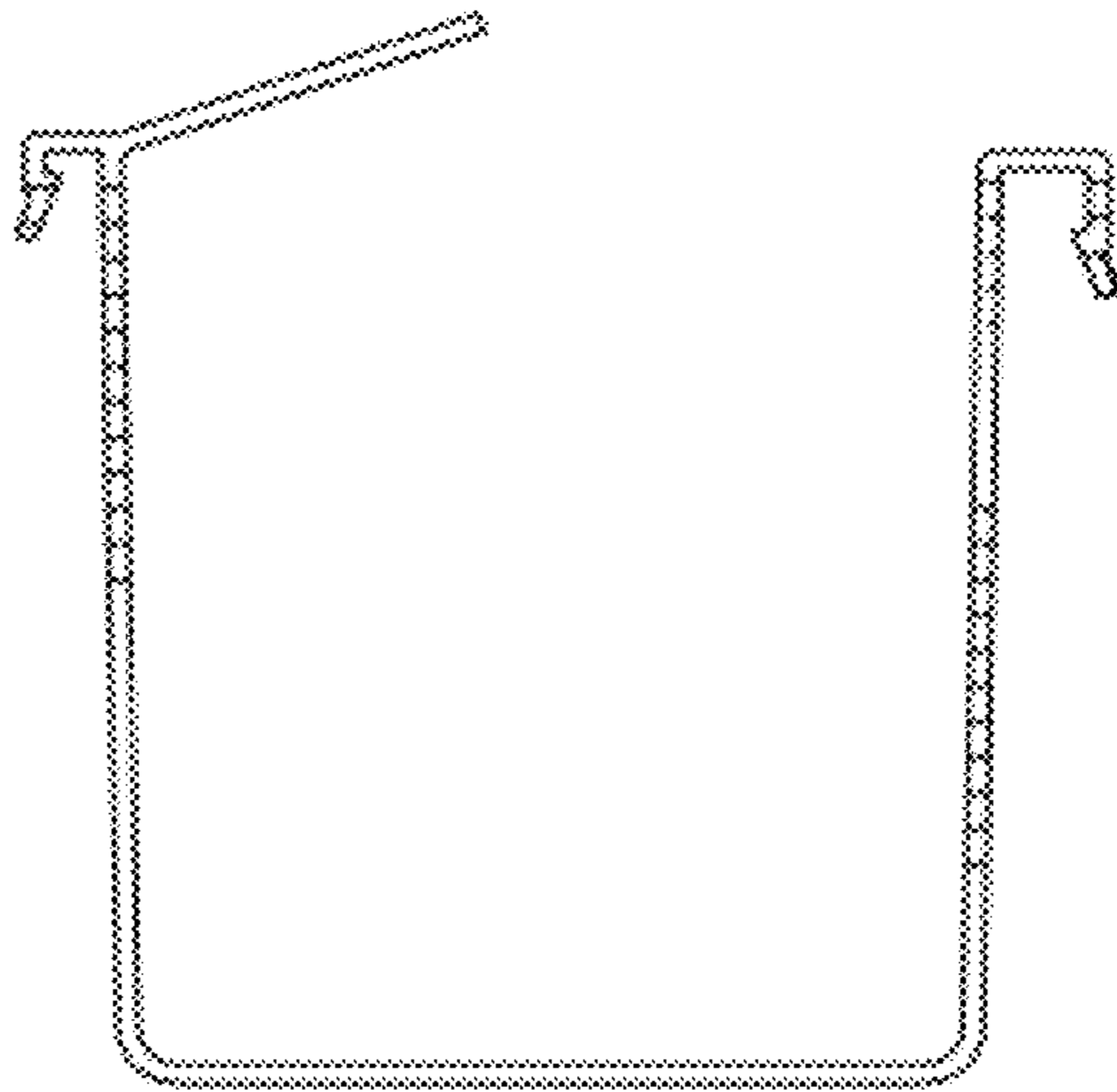


FIG. 4

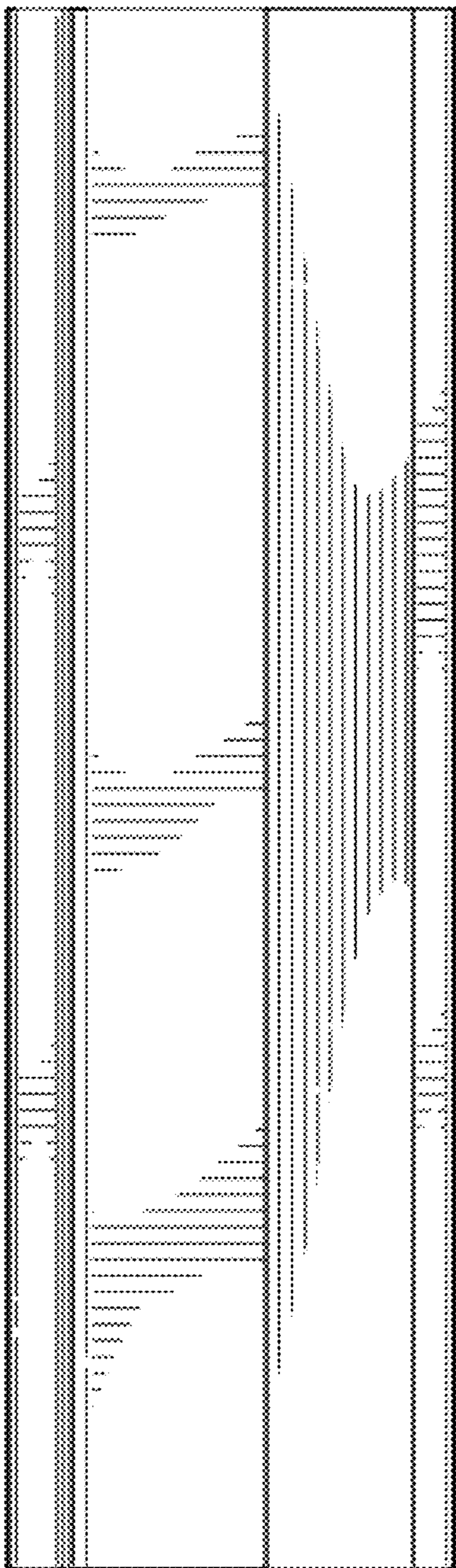


FIG. 5

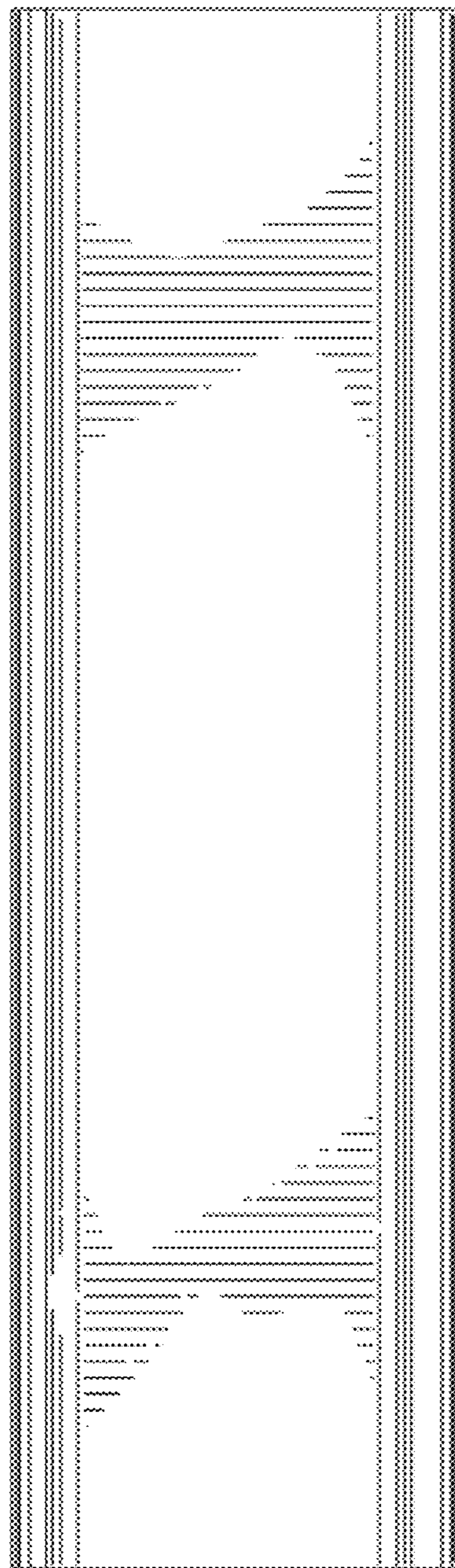


FIG. 6