



US00D674888S

(12) **United States Design Patent**
Kawase et al.

(10) **Patent No.:** **US D674,888 S**
(45) **Date of Patent:** **** Jan. 22, 2013**

(54) **FAN**

(75) Inventors: **Tomonori Kawase**, Aichi (JP); **Chaojie Zhou**, Jiangsu (CN)

(73) Assignee: **Makita Corporation**, Anjo-shi (JP)

(**) Term: **14 Years**

(21) Appl. No.: **29/400,645**

(22) Filed: **Aug. 31, 2011**

(30) **Foreign Application Priority Data**

Apr. 7, 2011 (JP) 2011-008046

(51) **LOC (9) Cl.** **23-04**

(52) **U.S. Cl.** **D23/370; D23/382**

(58) **Field of Classification Search** D23/328,
D23/335, 336, 341, 355, 370, 381, 382, 386,
D23/411-414; 415/90, 121.2, 181, 182.1,
415/208.2, 209.2, 211.2; 416/63, 246, 247 R
See application file for complete search history.

(56) **References Cited**

U.S. PATENT DOCUMENTS

2,677,522	A *	5/1954	Johnson	248/236
D184,469	S *	2/1959	Zeller et al.	D23/382
4,120,615	A *	10/1978	Keem et al.	417/360
D353,660	S *	12/1994	Cunning	D23/328
5,431,544	A *	7/1995	Hsu et al.	416/246
D396,279	S *	7/1998	Ediger et al.	D23/386
D459,454	S *	6/2002	Shapiro	D23/335
D546,933	S *	7/2007	Chen	D23/382
D566,260	S *	4/2008	Chen	D23/382
D610,671	S *	2/2010	Zhuang et al.	D23/382
D621,026	S *	8/2010	Peterson et al.	D23/382

OTHER PUBLICATIONS

Ryobi Power Tools:: 18 Volt One+ Portable Fan, Nov. 29, 2010 [online], [retrieved on Aug. 31, 2011] Retrieved from the Internet URL:www.ryobitools.com/catalog/power_tools/lifestyle/P3300.
Ryobi Operator's Manual:: 18 Volt Portable Fan P3300, Aug. 25, 2006 [online], [retrieved on Aug. 31, 2011] Retrieved from the Internet URL:www.homedepot.com/catalog/pdfImages/2f/2fbedeea-eab9-44ba-a776-b32a8d13d180.pdf.

* cited by examiner

Primary Examiner — Janice Seeger

Assistant Examiner — Martie K Holtje

(74) *Attorney, Agent, or Firm* — Posz Law Group, PLC

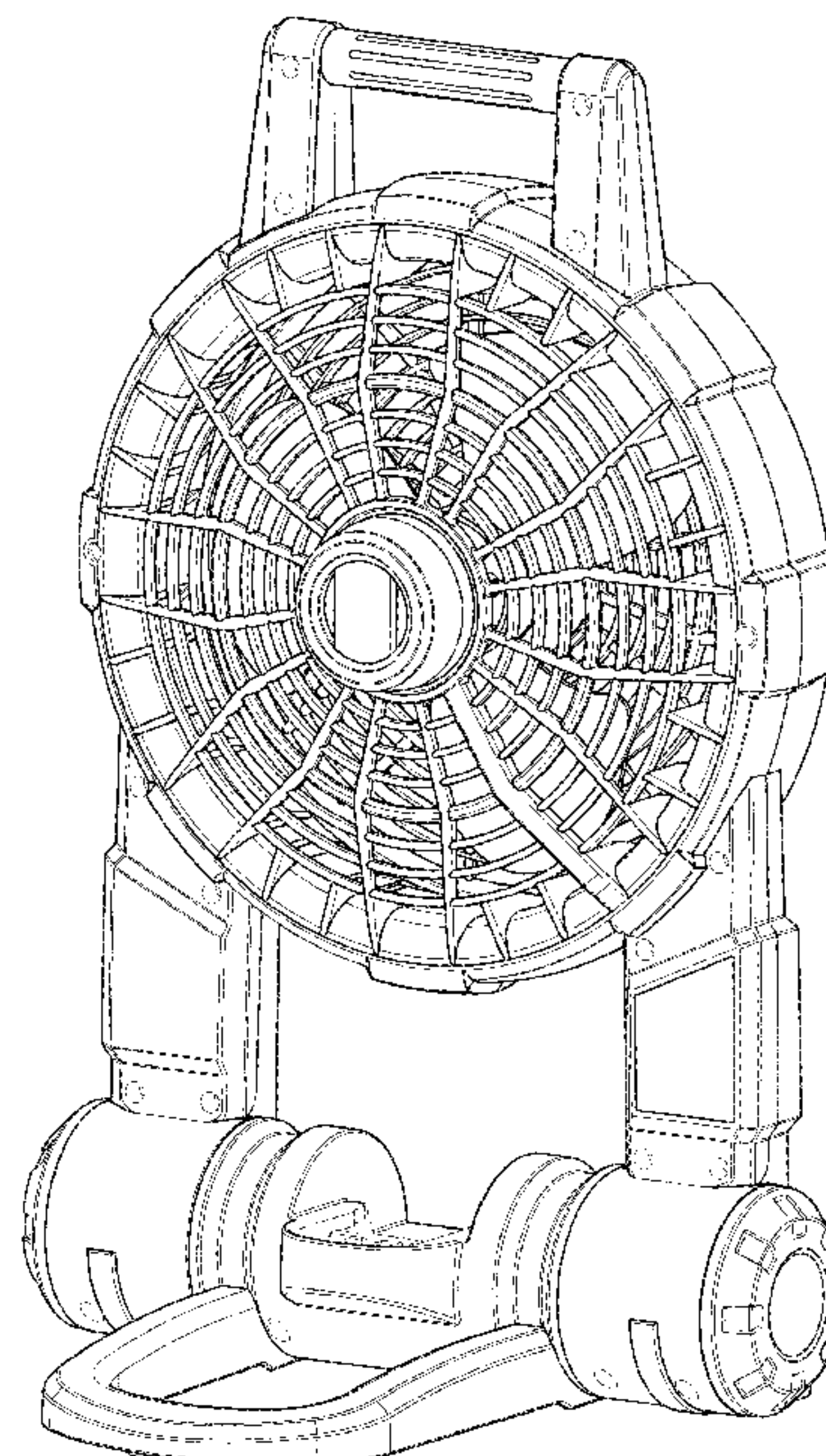
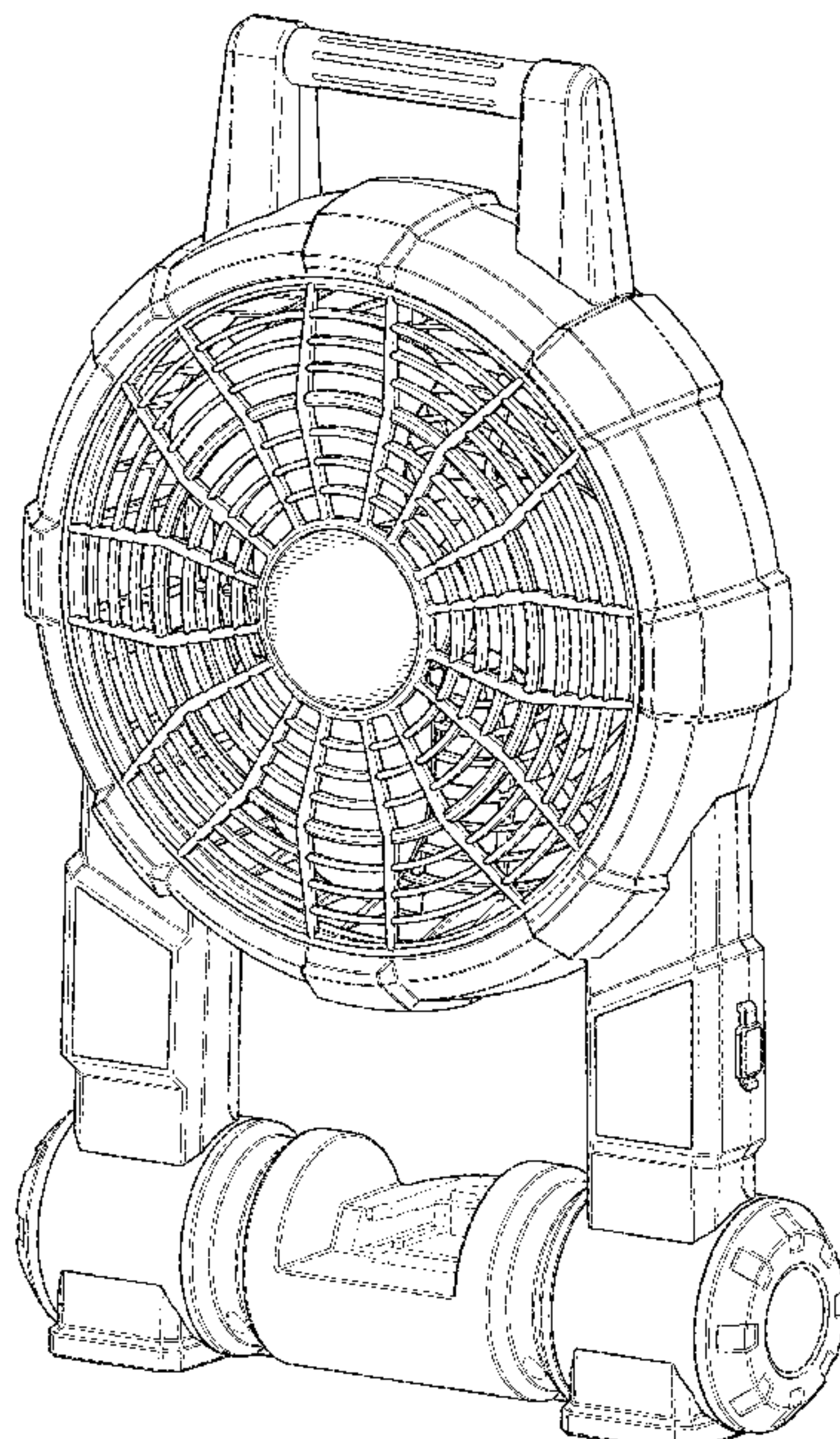
(57) **CLAIM**

The ornamental design for a fan, as shown and described.

DESCRIPTION

FIG. 1 is a perspective view of top, front, and right side of a fan showing our new design;
FIG. 2 is a front view thereof;
FIG. 3 is a rear view thereof;
FIG. 4 is a right side view thereof;
FIG. 5 is a left side view thereof;
FIG. 6 is a top view thereof;
FIG. 7 is a bottom view thereof.
FIG. 8 is a perspective view of top, rear, and left side thereof; and,
FIG. 9 is a perspective view of top, front, and right side thereof with a detachable battery shown in broken lines which is included for the purpose of illustrating environmental structure and which forms no part of the claimed design. The broken line showing of the structural elements in the figures is included for the purpose of illustrating portions of the fan and forms no part of the claimed design.

1 Claim, 9 Drawing Sheets



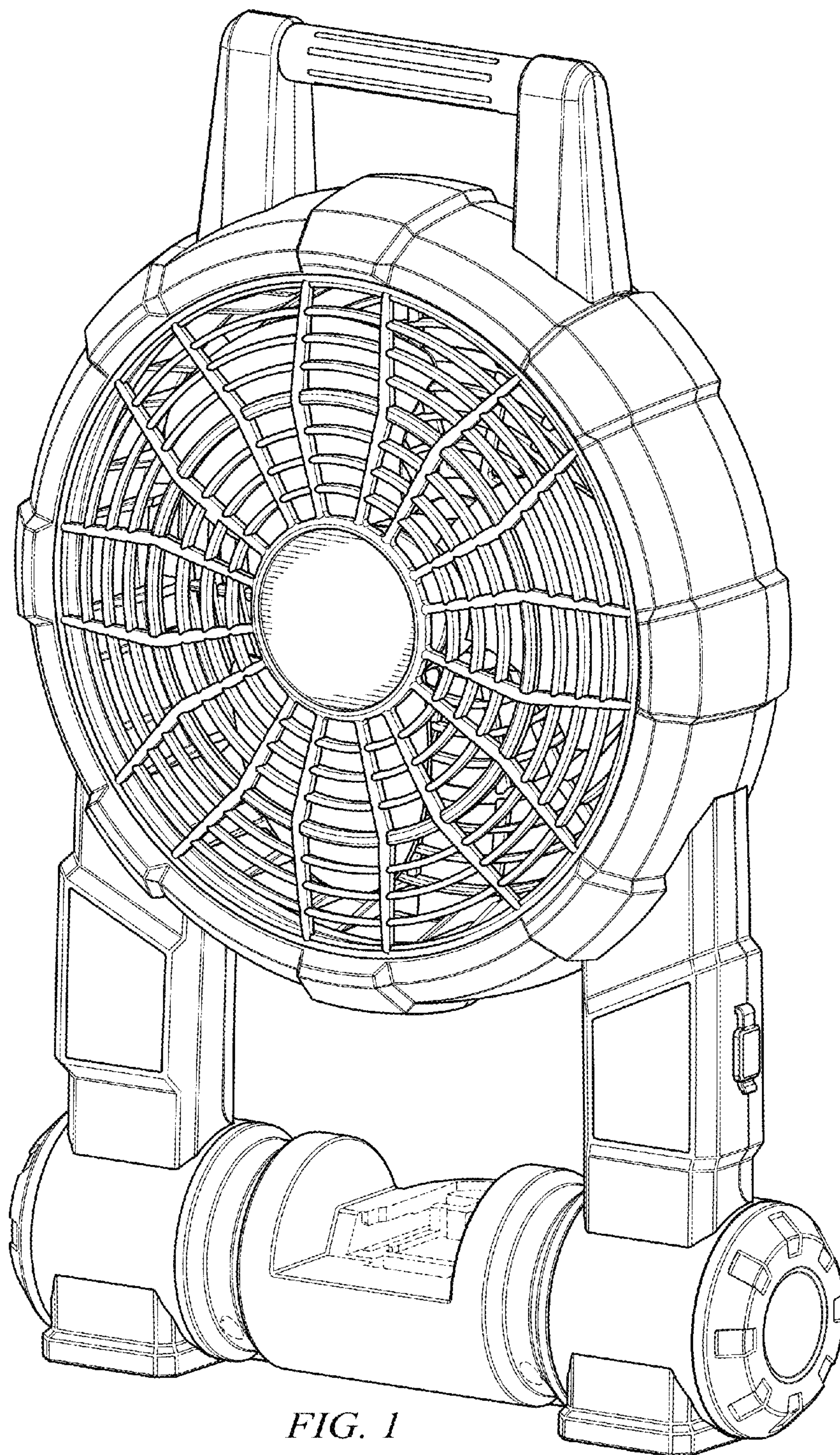


FIG. 1

FIG. 2

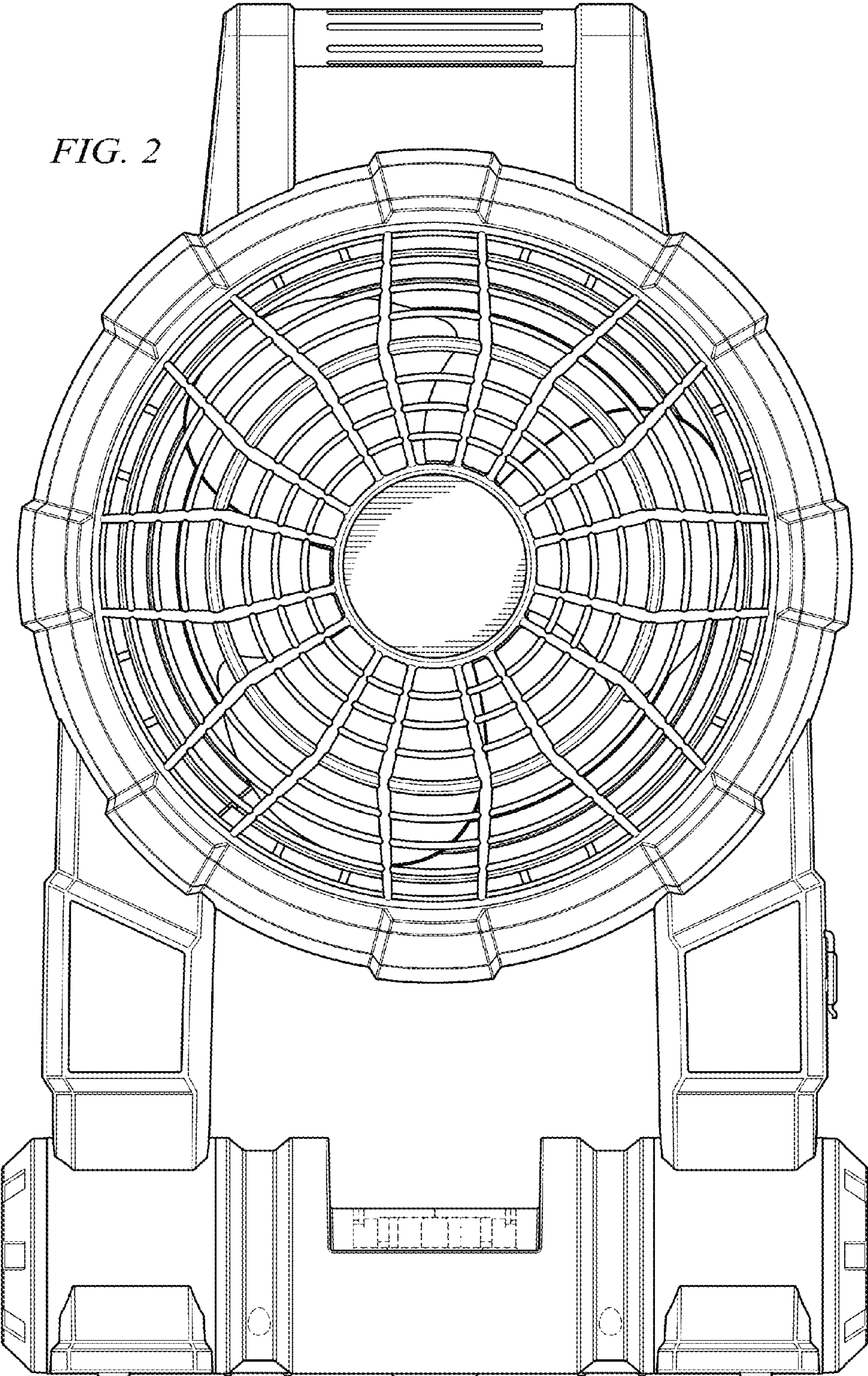
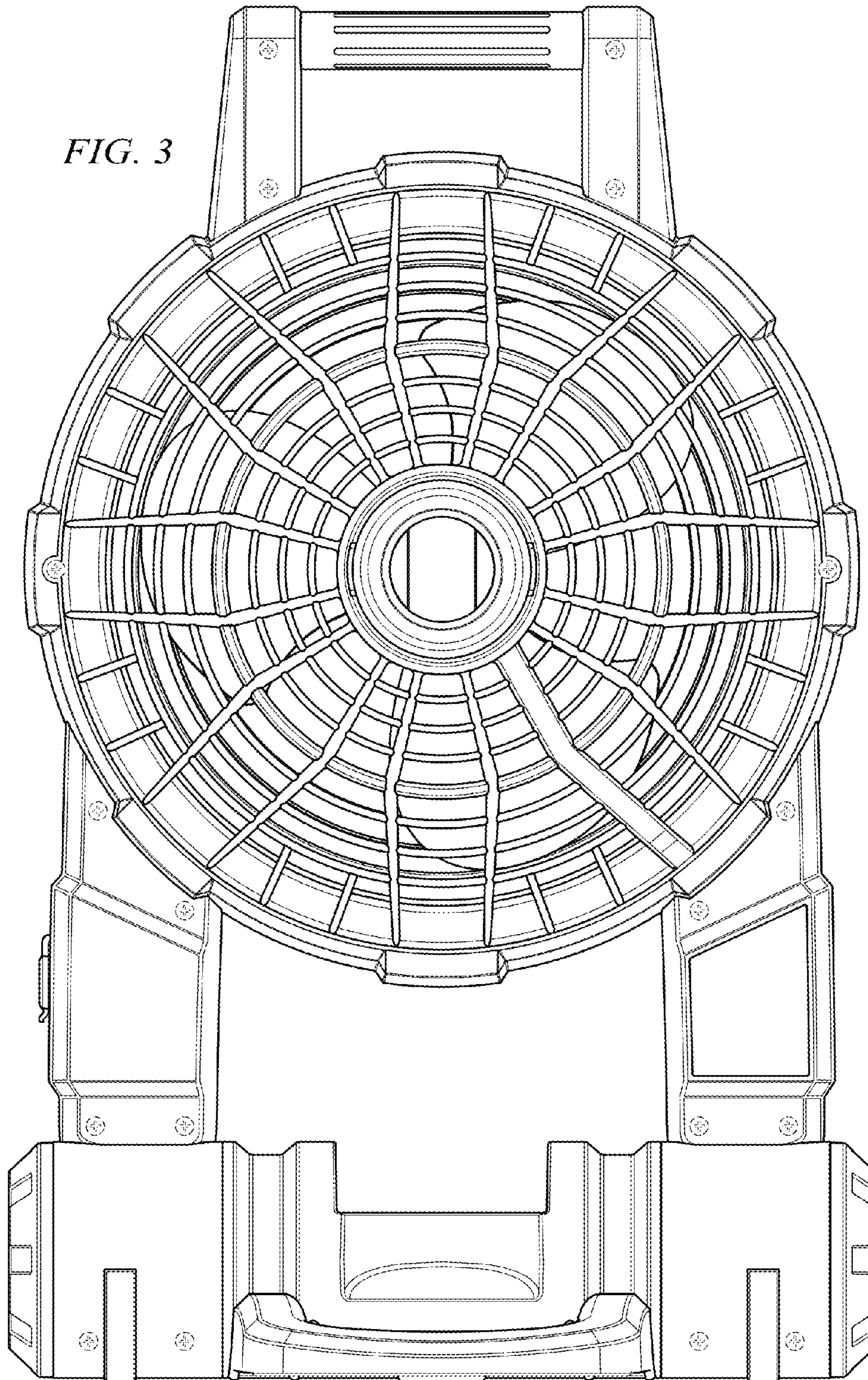


FIG. 3



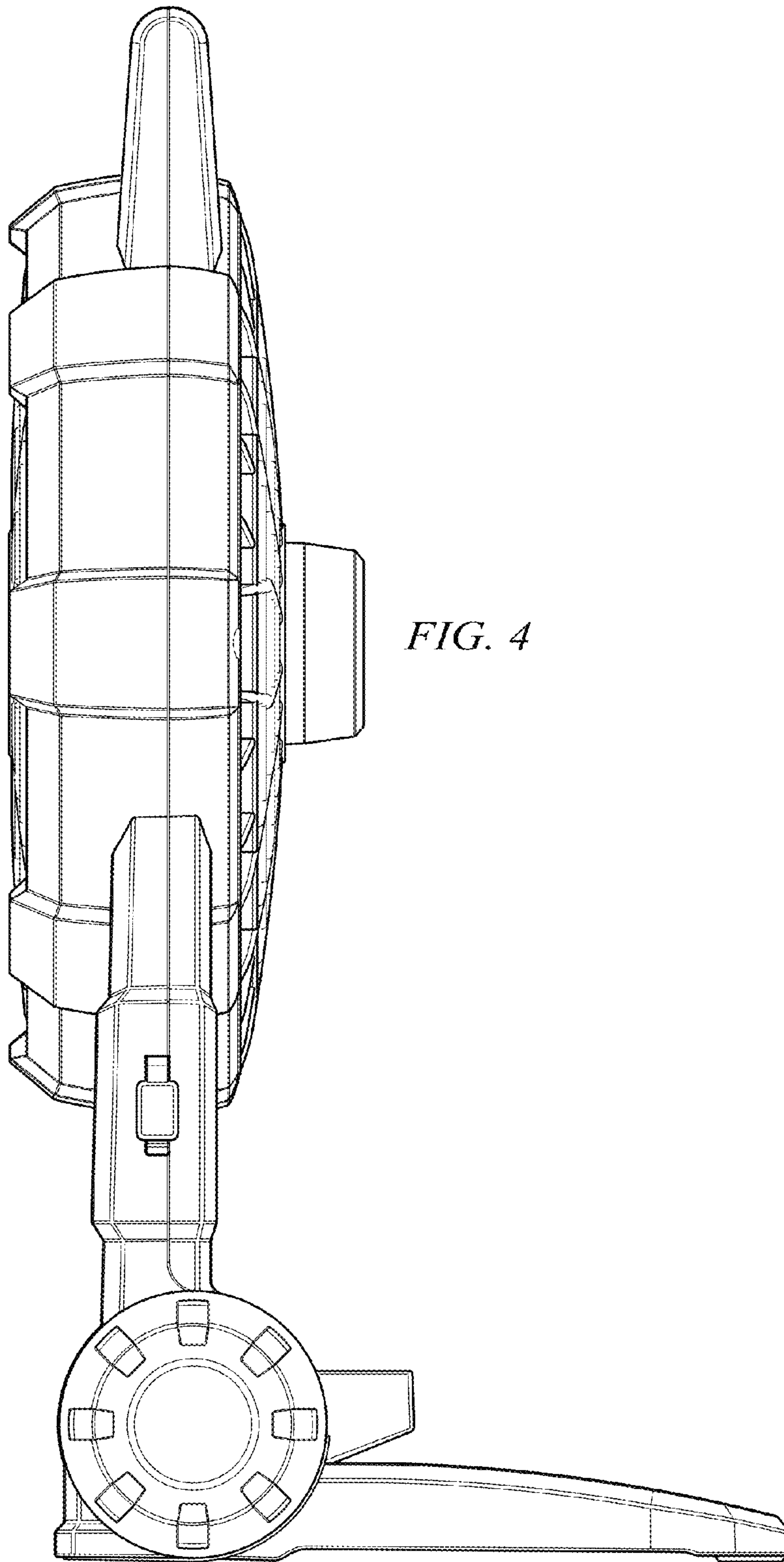


FIG. 4

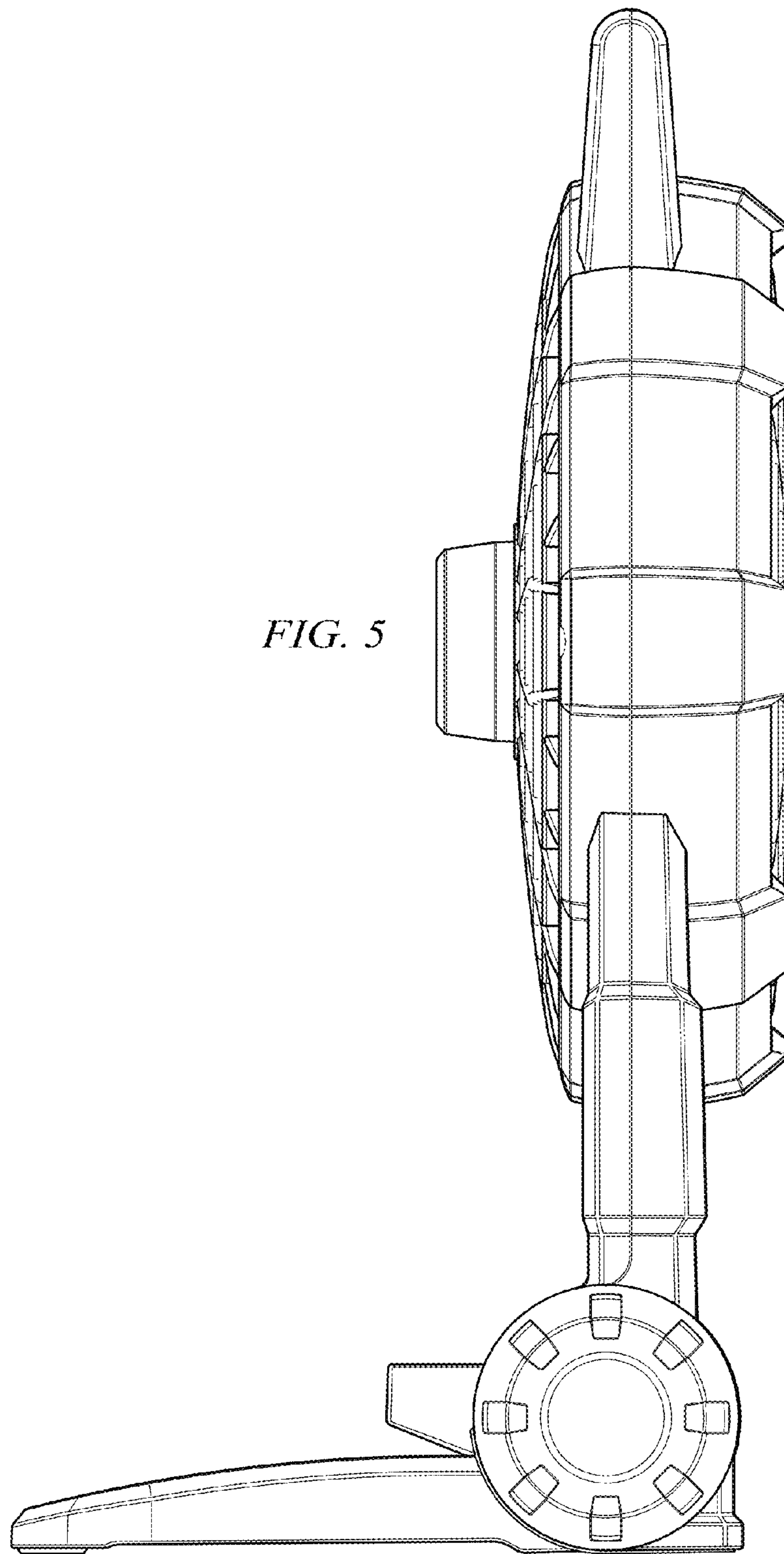


FIG. 5

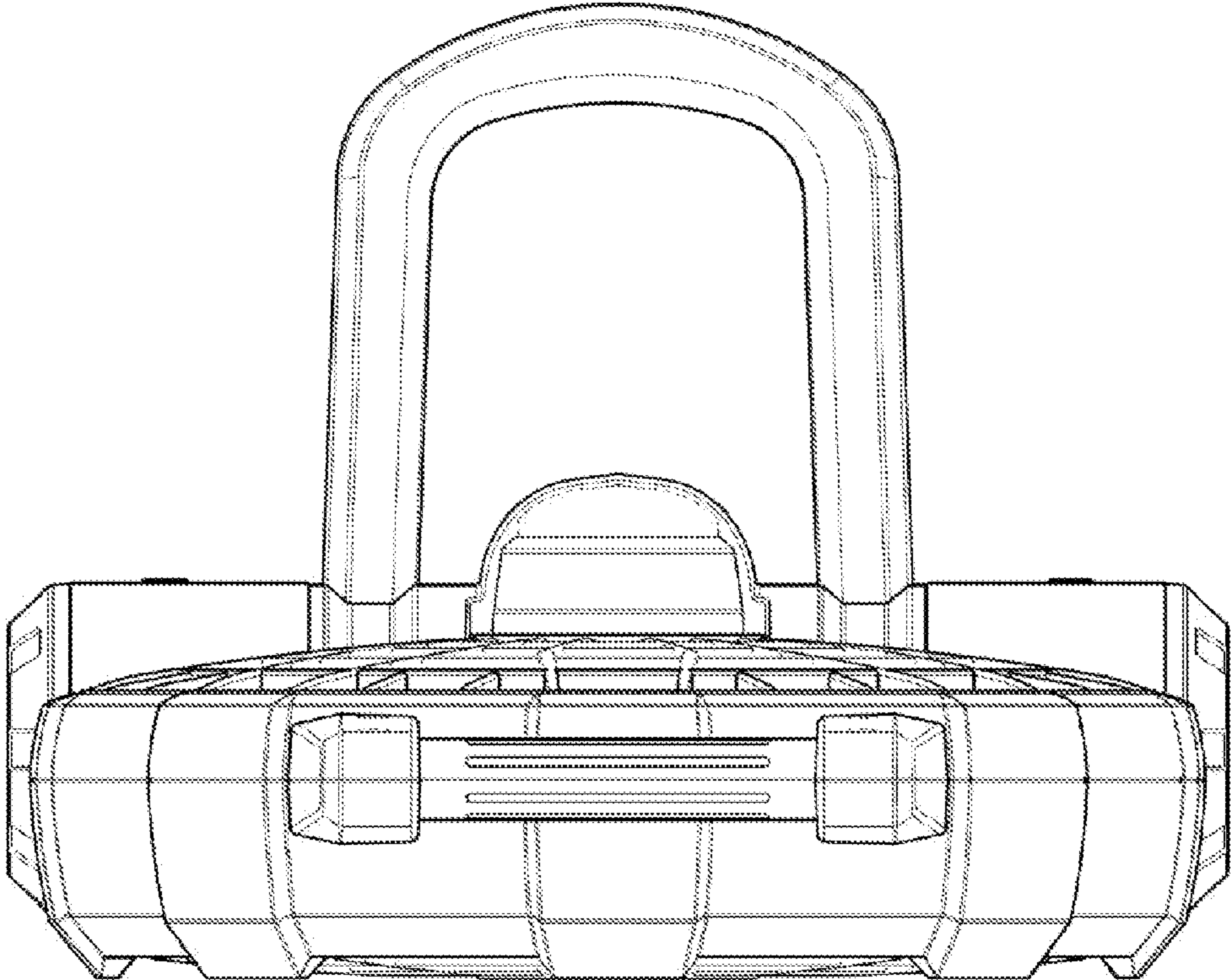


FIG. 6

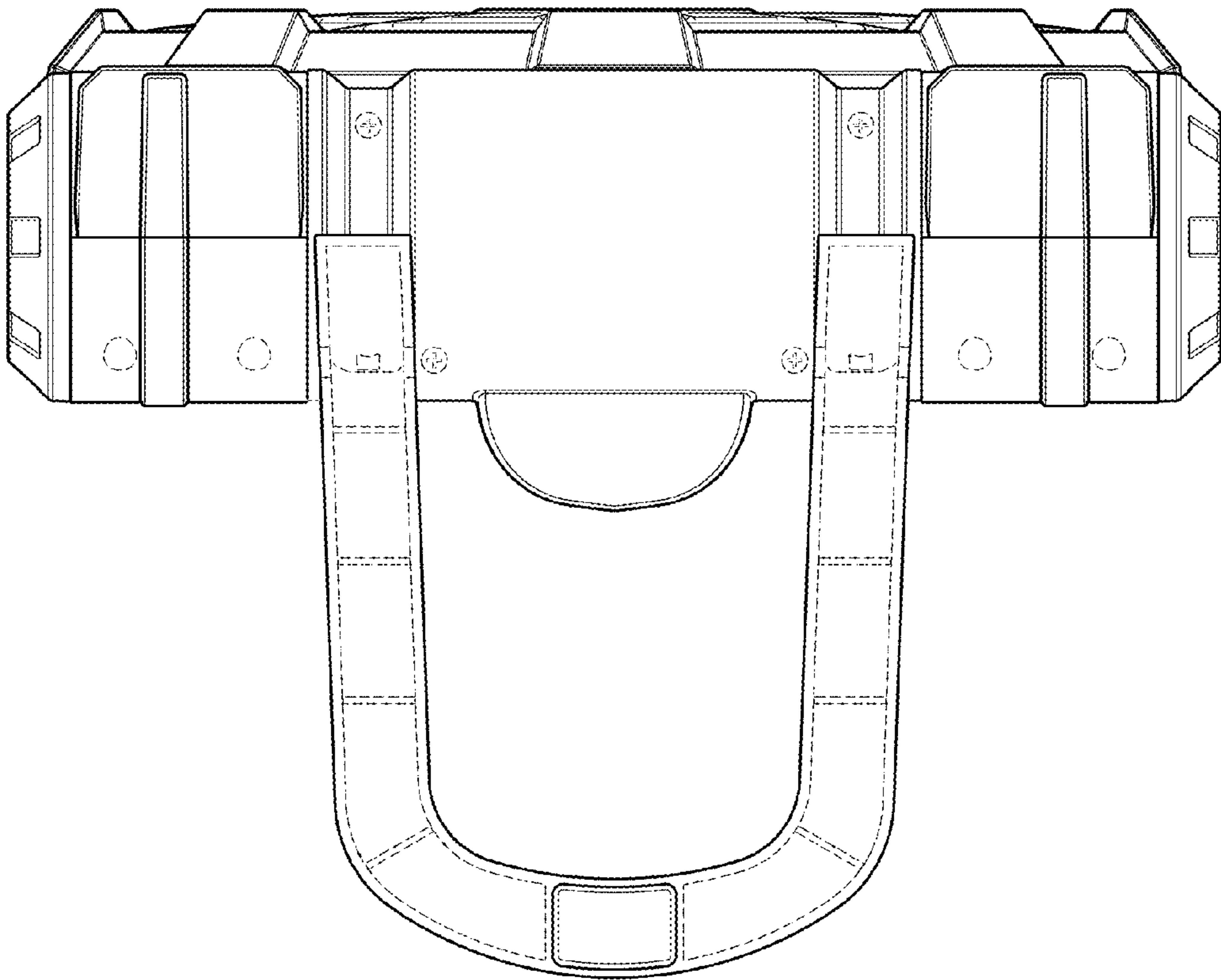


FIG. 7

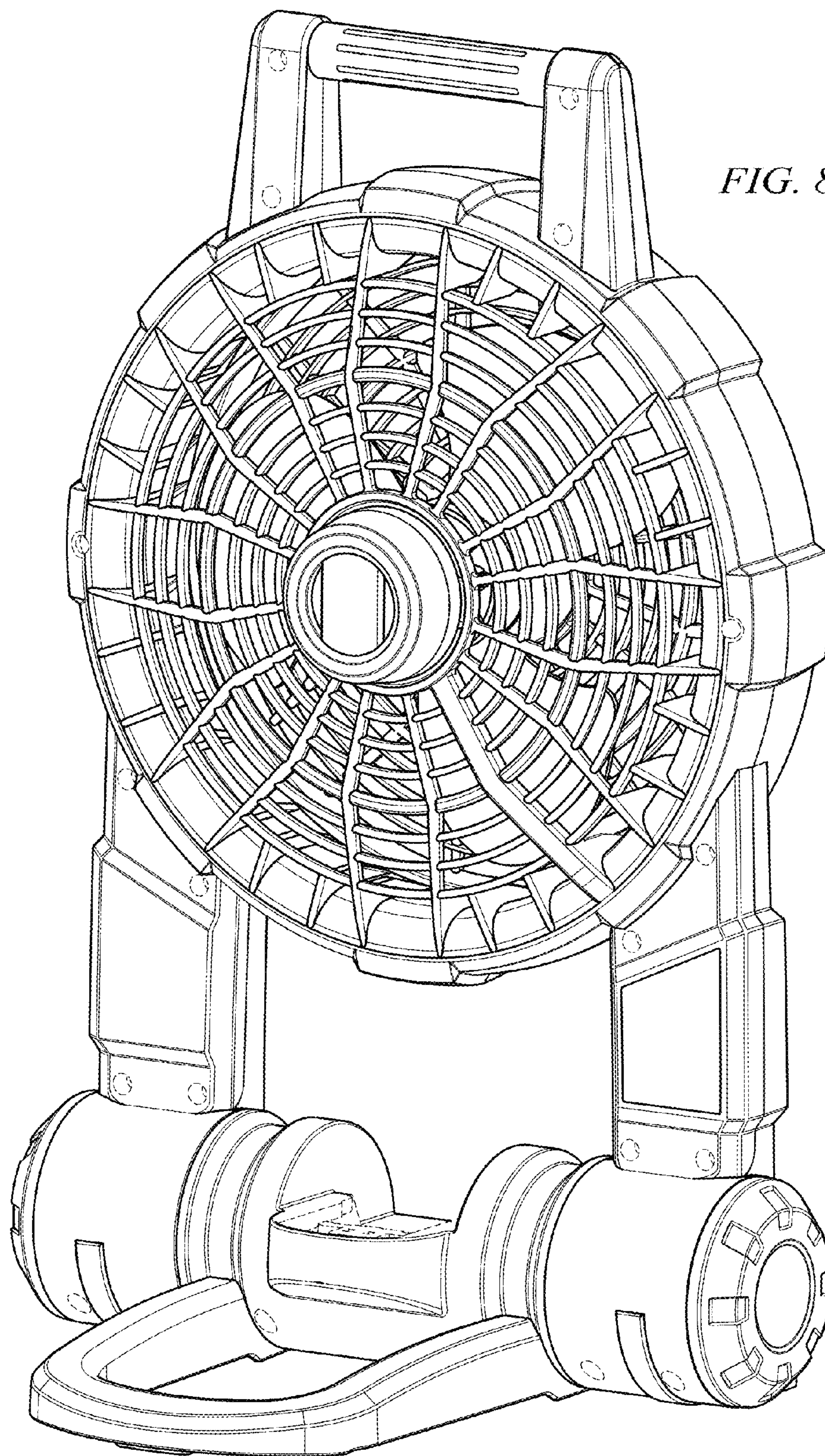


FIG. 8

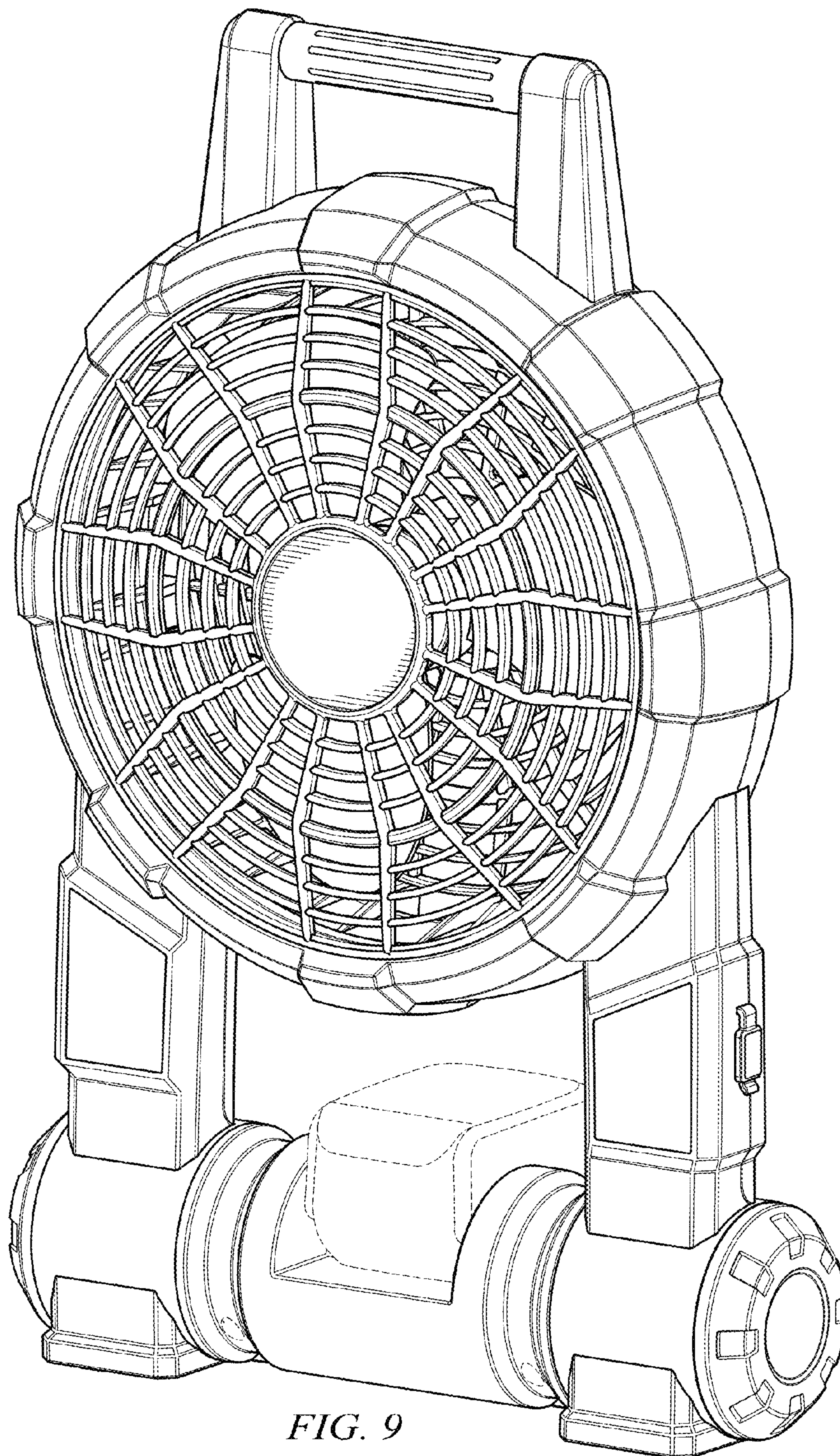


FIG. 9