



US00D674887S

(12) **United States Design Patent**
Dyson

(10) **Patent No.:** **US D674,887 S**
(45) **Date of Patent:** **** Jan. 22, 2013**

(54) **FAN**
(75) **Inventor:** **James Dyson**, Malmesbury (GB)
(73) **Assignee:** **Dyson Limited**, Malmesbury, Wiltshire (GB)
(**) **Term:** **14 Years**
(21) **Appl. No.:** **29/389,157**
(22) **Filed:** **Apr. 7, 2011**

D625,404	S	*	10/2010	Yu	D23/386
D633,997	S	*	3/2011	Hideharu et al.	D23/370
D638,114	S	*	5/2011	Li et al.	D23/370
D644,726	S	*	9/2011	Hideharu et al.	D23/370
8,092,166	B2	*	1/2012	Nicolas et al.	415/209.2
8,197,226	B2	*	6/2012	Fitton et al.	417/198
8,246,317	B2	*	8/2012	Gammack	417/84
2009/0060710	A1	*	3/2009	Gammack et al.	415/90
2009/0060711	A1	*	3/2009	Gammack et al.	415/90
2010/0226763	A1	*	9/2010	Gammack et al.	415/182.1
2010/0254800	A1	*	10/2010	Fitton et al.	415/90
2011/0164959	A1	*	7/2011	Fitton et al.	415/90

* cited by examiner

(30) **Foreign Application Priority Data**
Oct. 8, 2010 (GB) 4017293
(51) **LOC (9) Cl.** **23-04**
(52) **U.S. Cl.** **D23/370; D23/385**
(58) **Field of Classification Search** D23/355,
D23/370, 385, 411; 239/434.5, 568; 415/90,
415/126-128, 182.1, 209.2; 417/423.1, 198,
417/84; 454/292, 296; D26/75; D12/345
See application file for complete search history.

Primary Examiner — Caron D Veynar
Assistant Examiner — Martie K Holtje
(74) *Attorney, Agent, or Firm* — Morrison & Foerster LLP

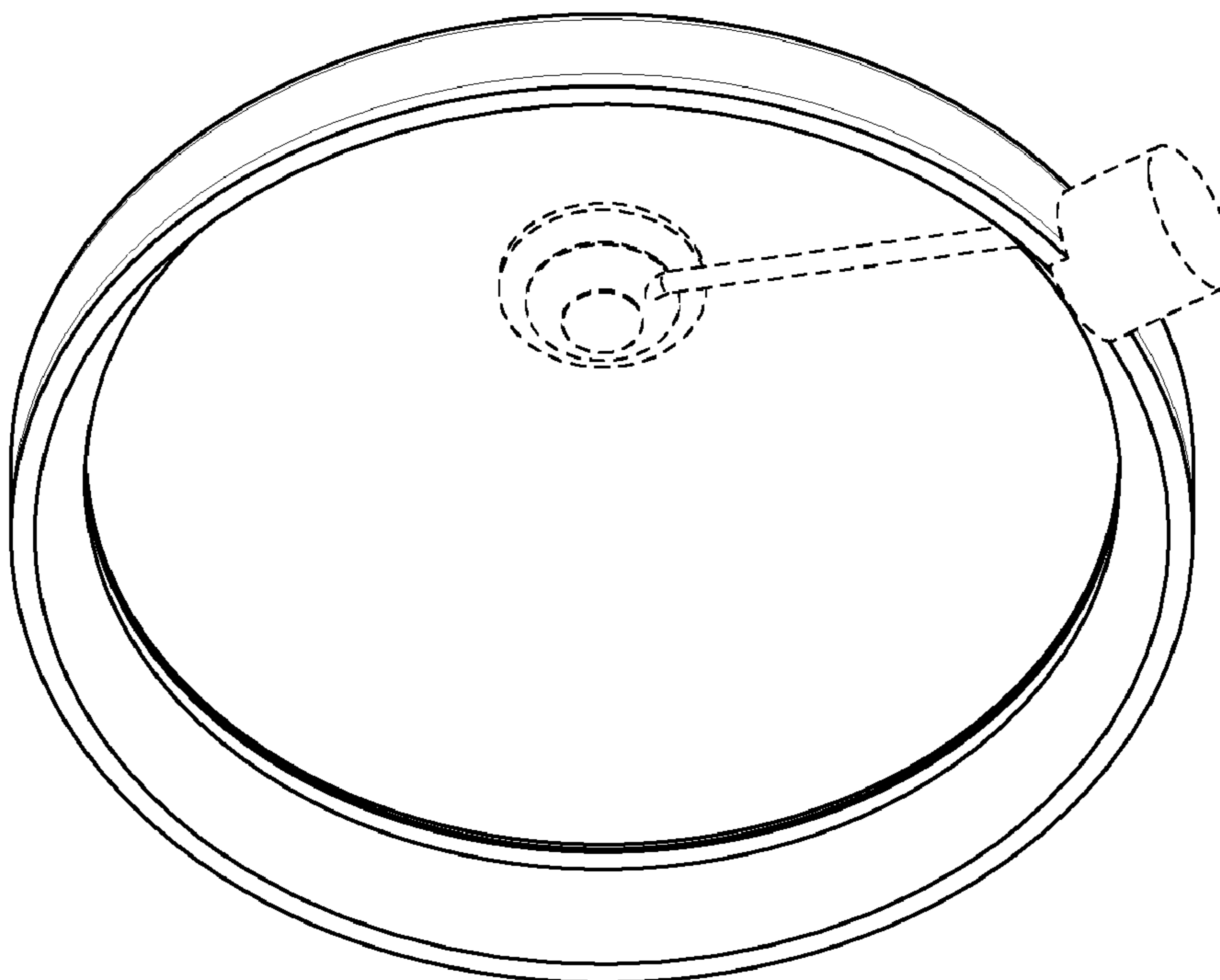
(56) **References Cited**
U.S. PATENT DOCUMENTS
D233,468 S * 10/1974 Shemitz D26/75
D374,074 S * 9/1996 Chen D23/411
D530,004 S * 10/2006 Curtin D23/411
D543,495 S * 5/2007 Williams D12/345
D579,102 S * 10/2008 Leung et al. D23/411
D605,748 S * 12/2009 Gammack et al. D23/370
D614,280 S * 4/2010 Dyson et al. D23/370

(57) **CLAIM**
I claim the ornamental design for a fan, as shown and described.

DESCRIPTION

FIG. 1 is a perspective view of a fan showing my new design;
FIG. 2 is a front view thereof;
FIG. 3 is a rear view thereof;
FIG. 4 is a side view thereof;
FIG. 5 is a side view from the side opposite that of FIG. 4;
FIG. 6 is a plan view thereof from above; and,
FIG. 7 is a plan view thereof from below.
The broken line showing of structural elements is included for the purpose of illustrating portions of the article and forms no part of the claimed design.

1 Claim, 3 Drawing Sheets



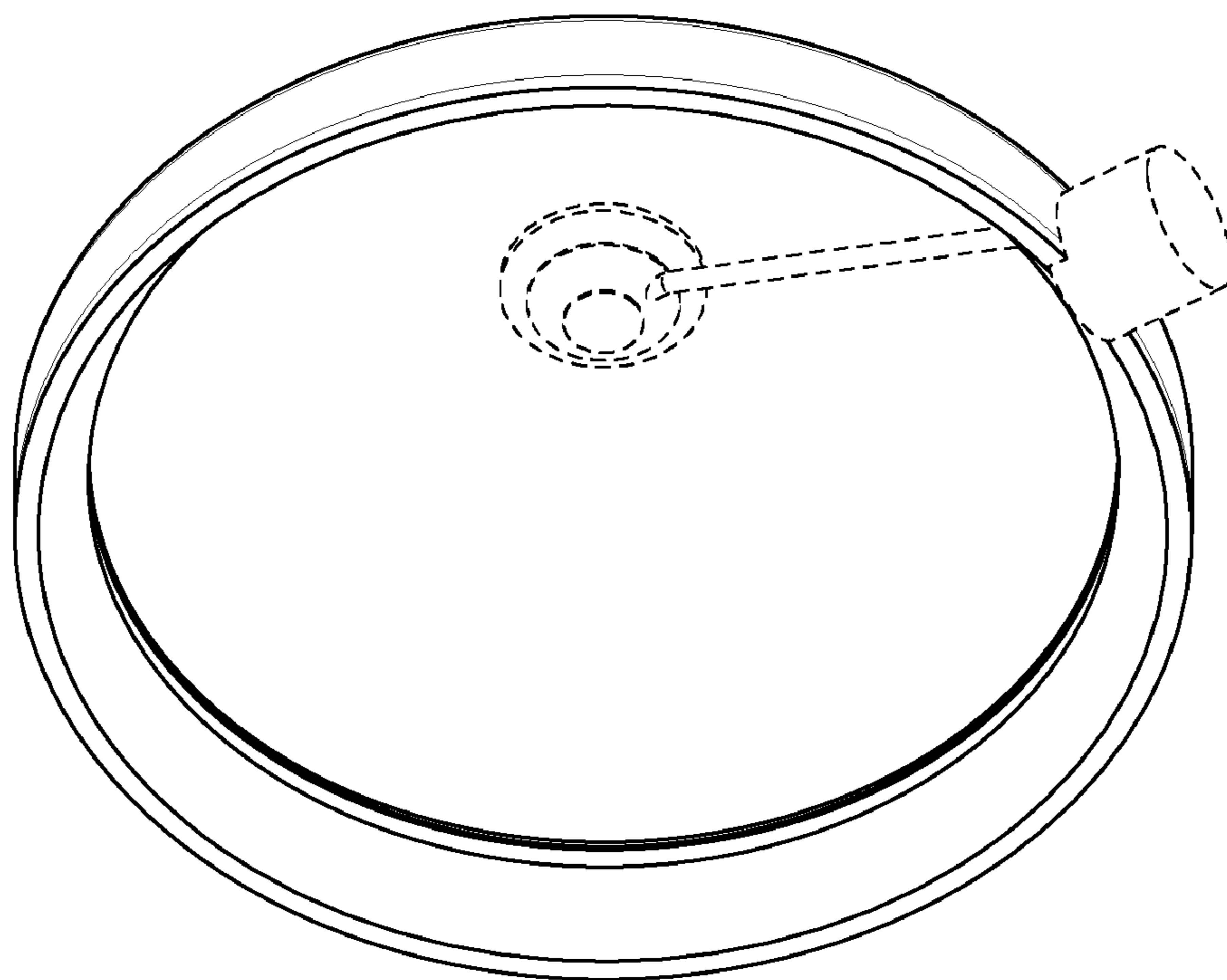


FIG. 1

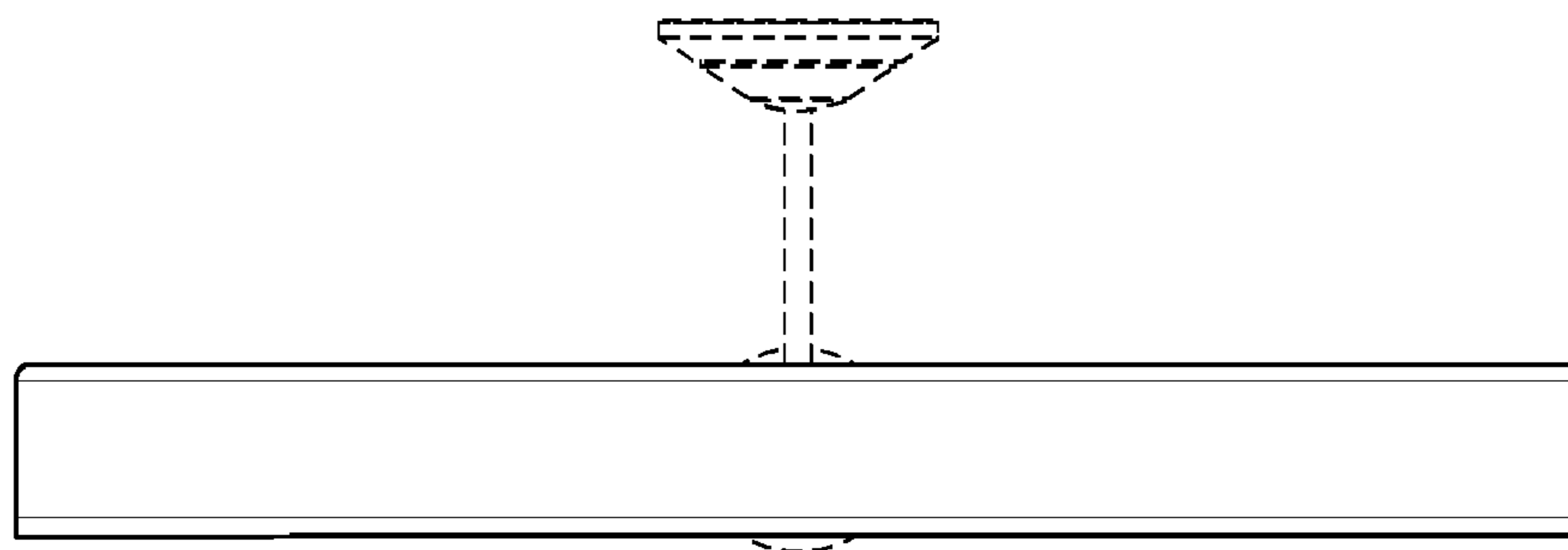


FIG. 2

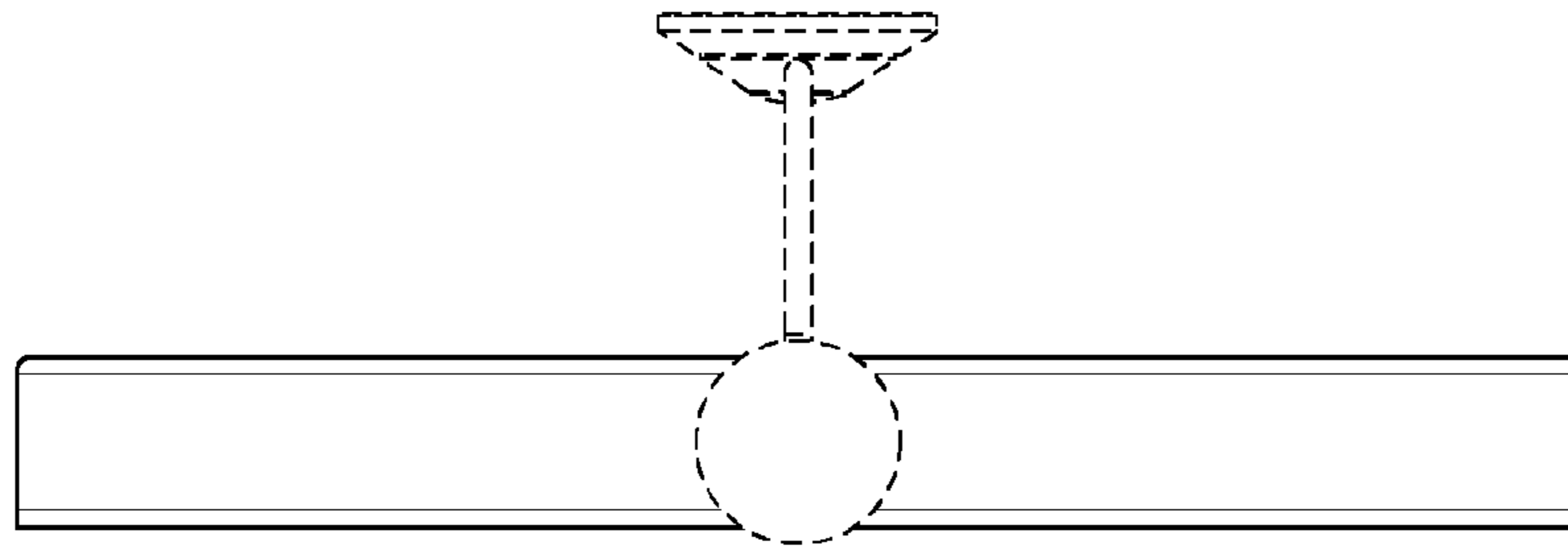


FIG. 3

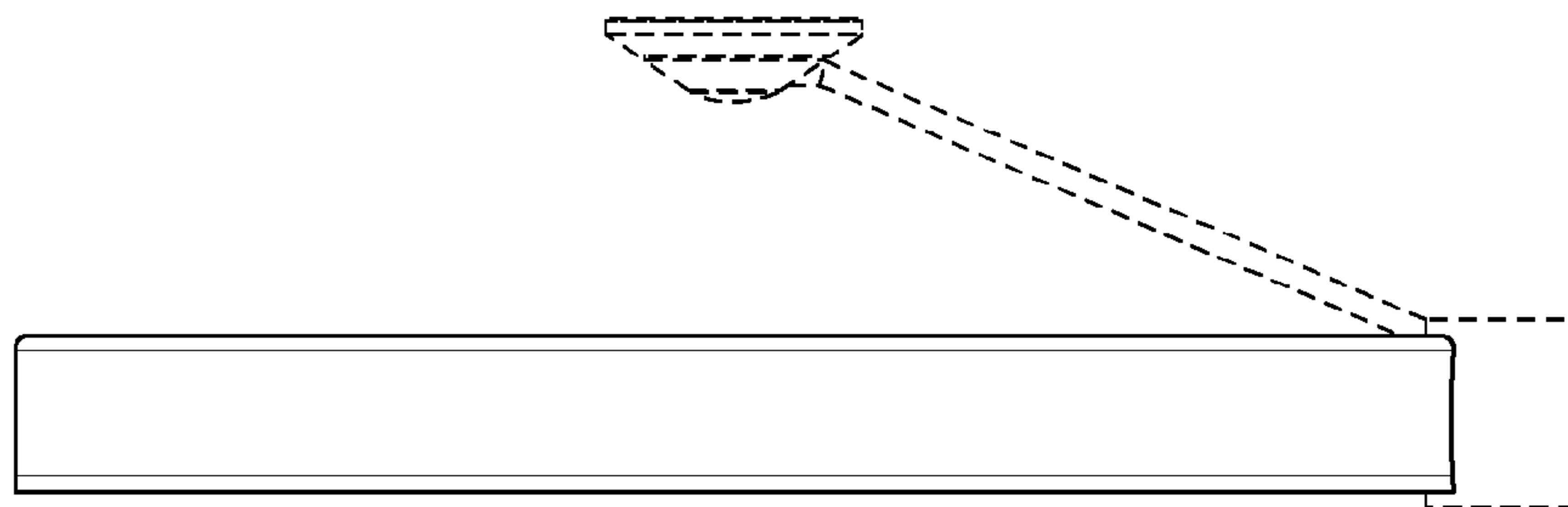


FIG. 4

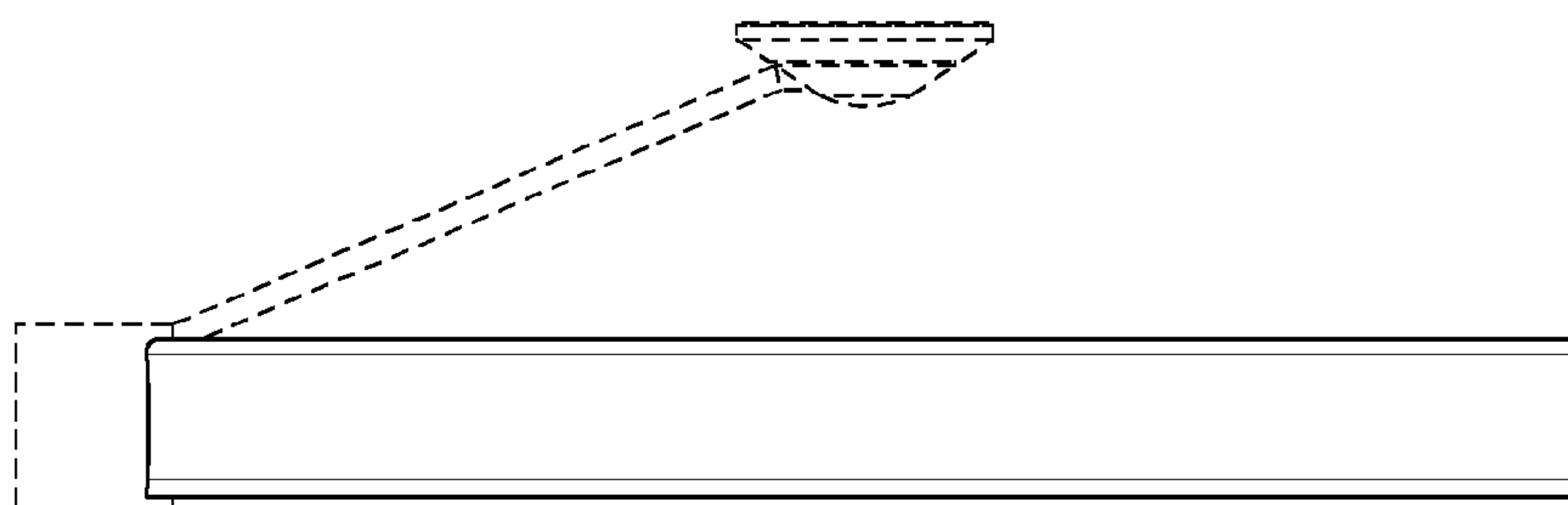


FIG. 5

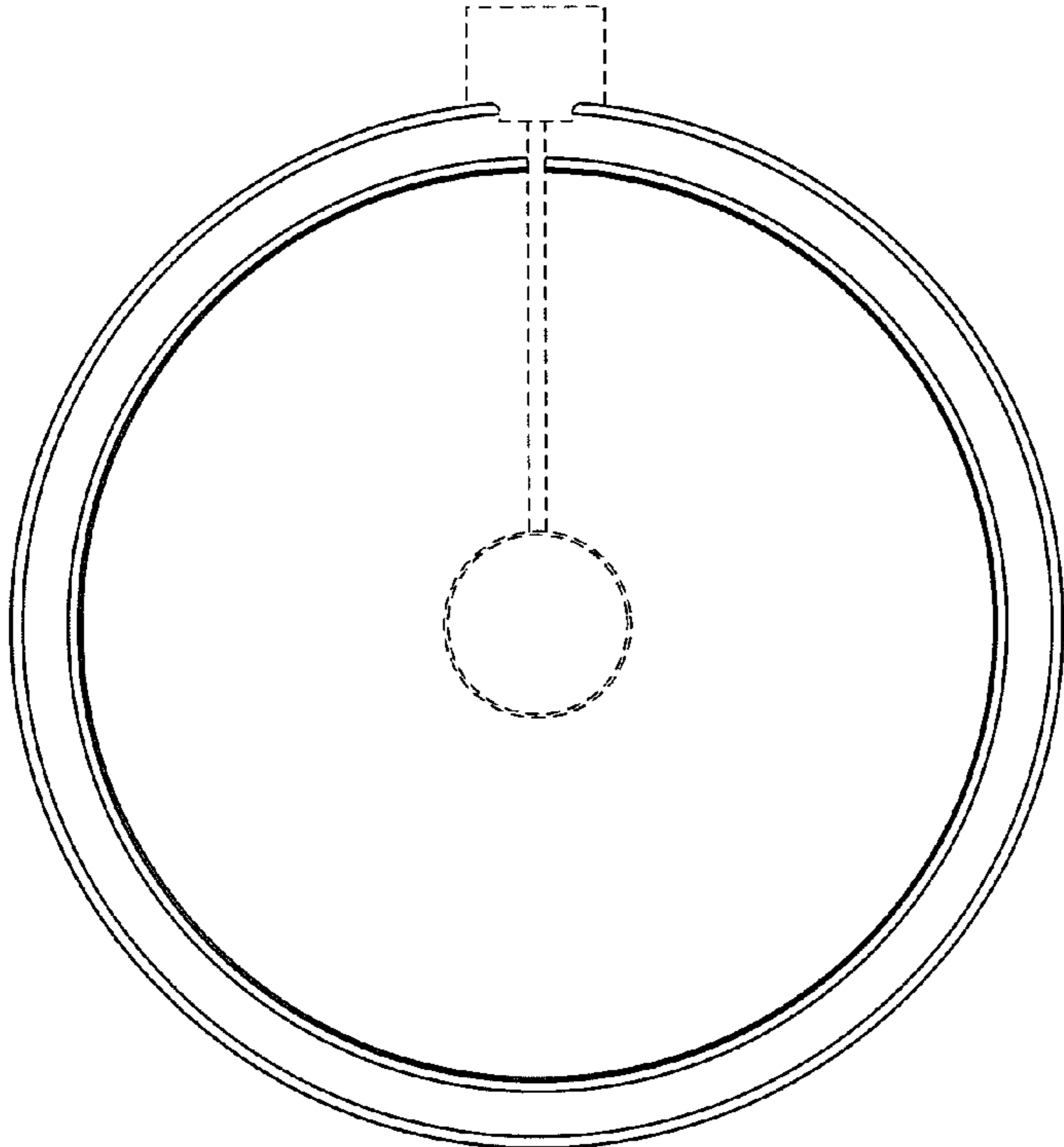


FIG. 6

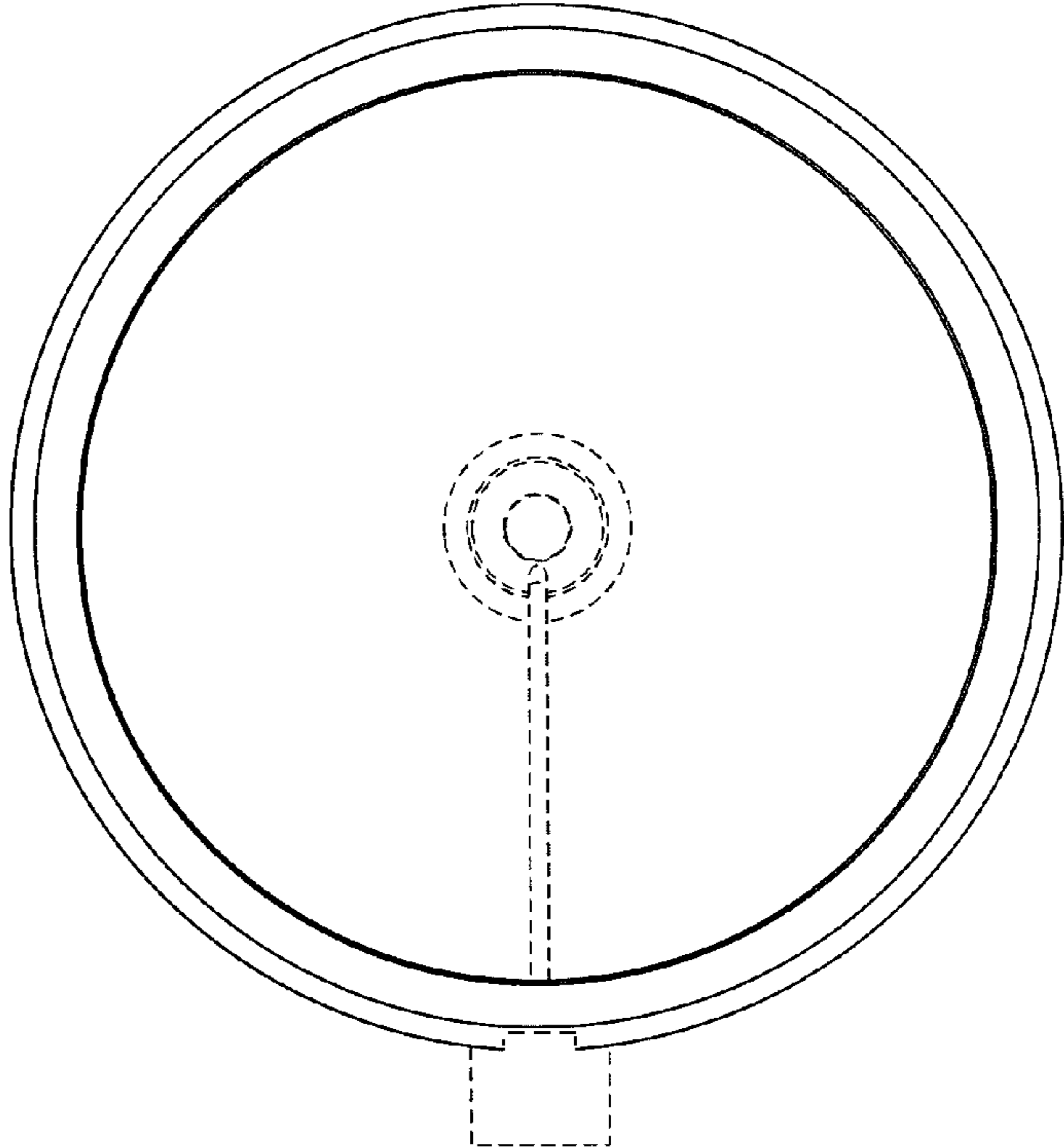


FIG. 7