



US00D674884S

(12) **United States Design Patent**  
**Rejkowski et al.**

(10) **Patent No.:** **US D674,884 S**  
(45) **Date of Patent:** **\*\* Jan. 22, 2013**

(54) **CONTROL PANEL FOR VEHICLE HEATING AND AIR CONDITIONING SYSTEMS**

D445,049 S \* 7/2001 Lee ..... D10/103  
D528,485 S \* 9/2006 Montijo et al. .... D12/192  
D641,673 S \* 7/2011 Zimmermann et al. .... D12/192

(75) Inventors: **Michael W. Rejkowski**, Irving, TX (US); **Stephen J. Sexton**, McKinney, TX (US)

\* cited by examiner

*Primary Examiner* — T. Chase Nelson  
*Assistant Examiner* — Ania Aman

(73) Assignee: **Classic Auto Air Manufacturing LP**, Cleveland, OH (US)

(57) **CLAIM**

The ornamental design for a control panel for vehicle heating and air conditioning systems, as shown and described.

(\*\*) Term: **14 Years**

**DESCRIPTION**

(21) Appl. No.: **29/426,578**

FIG. 1 is a perspective front view of a control panel for a vehicle heating and air conditioning system showing the design;

(22) Filed: **Jul. 6, 2012**

(51) **LOC (9) Cl.** ..... **12-16**

(52) **U.S. Cl.** ..... **D23/324**

(58) **Field of Classification Search** ..... D23/314,  
D23/324, 325, 326, 327; D10/50, 49, 60,  
D10/103; D12/400, 192; D14/247, 258;  
361/694; 236/1 C; 62/131

FIG. 2 is a top view of the control panel for a vehicle heating and air conditioning system of FIG. 1;

FIG. 3 is a front view of the control panel design of FIG. 1; FIG. 4 is a right end view of the control panel design of FIG. 1;

See application file for complete search history.

FIG. 5 is a left end view of the control panel design of FIG. 1; FIG. 6 is a bottom view of the control panel design of FIG. 1; and,

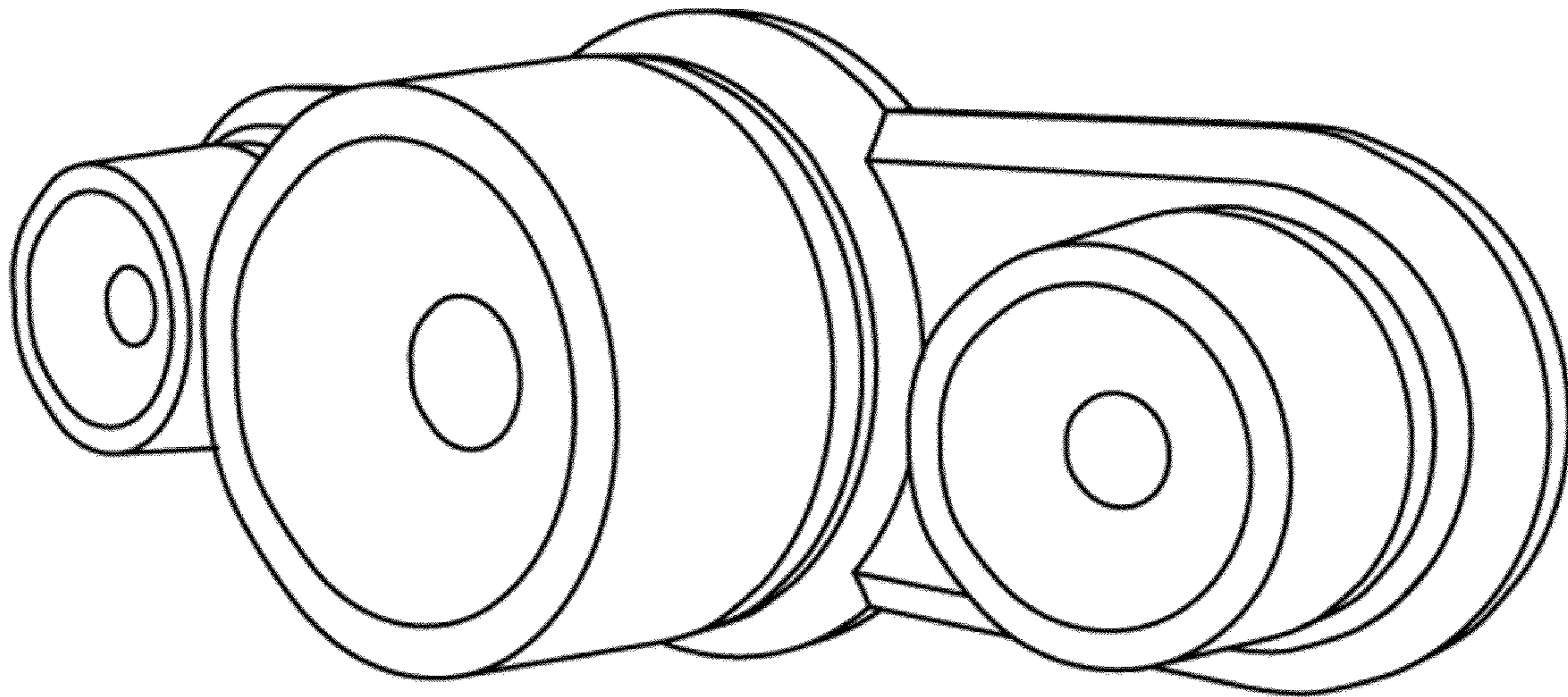
(56) **References Cited**

**U.S. PATENT DOCUMENTS**

5,700,191 A \* 12/1997 Nieling et al. .... 454/69  
6,066,225 A \* 5/2000 Lopes ..... 156/245

FIG. 7 is a rear view of the control panel design of FIG. 1. The broken lines are provided solely for illustrative purposes and form no part of the claimed design.

**1 Claim, 2 Drawing Sheets**



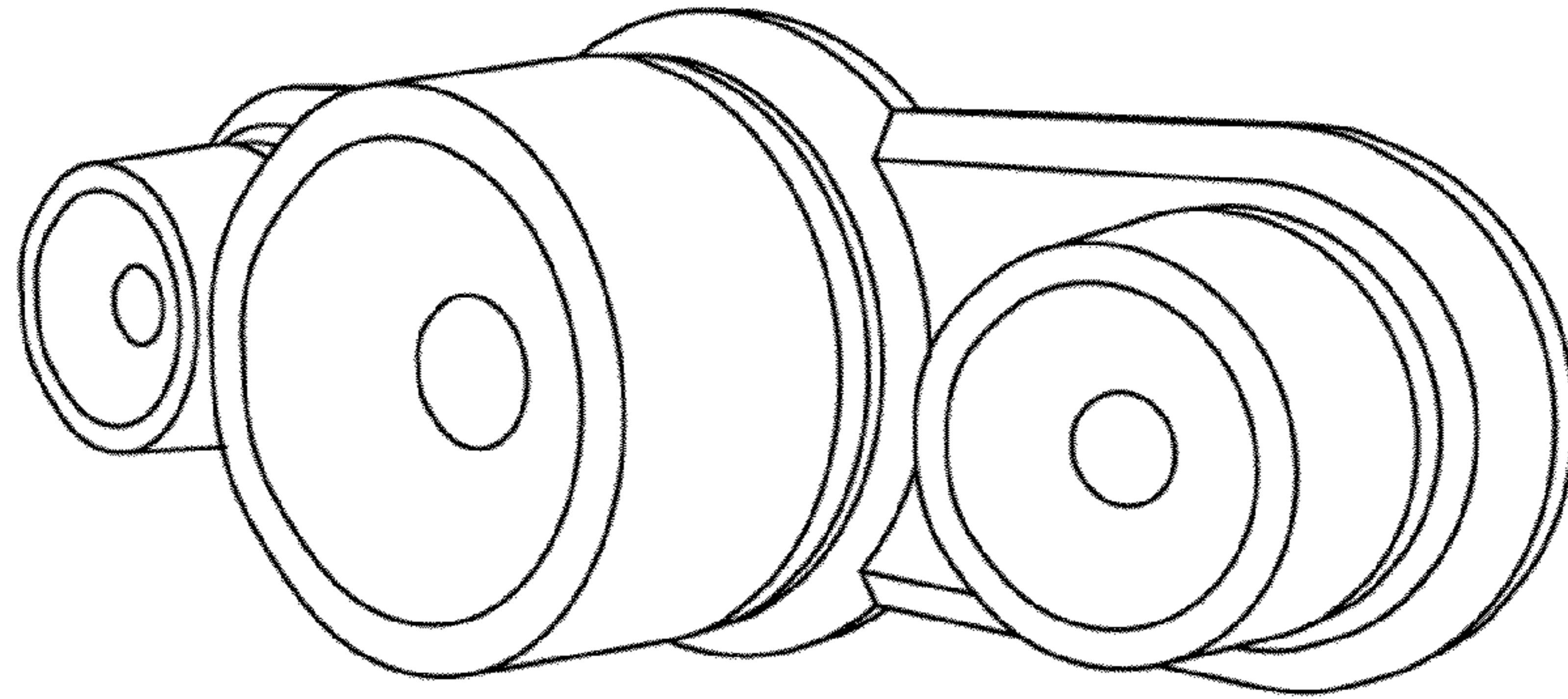


Fig. 1

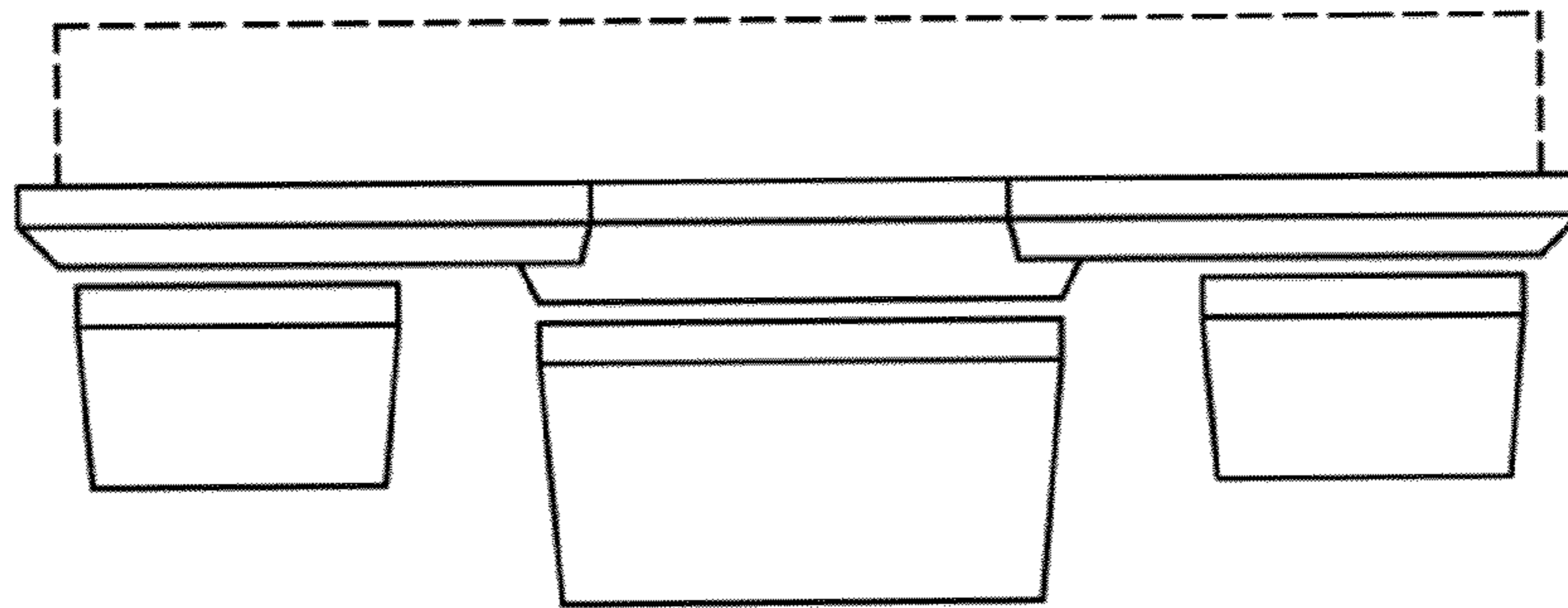


Fig. 2

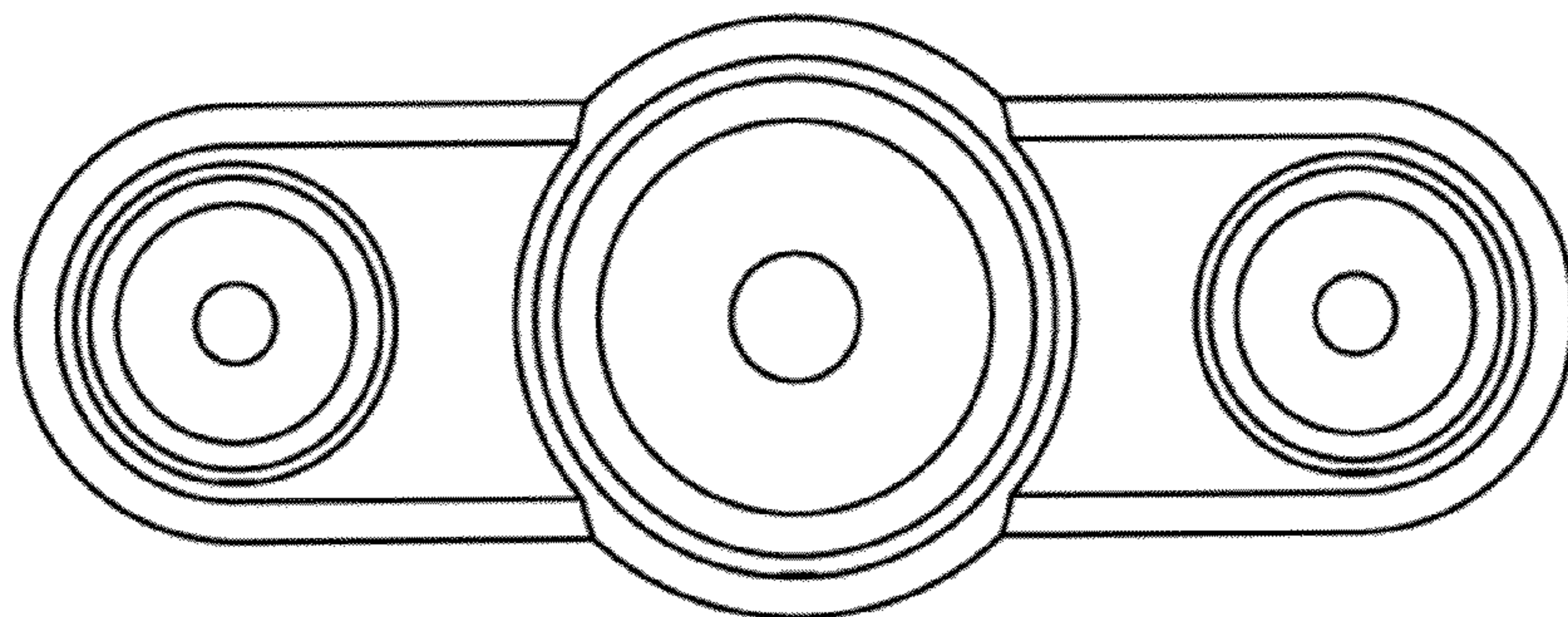


Fig. 3

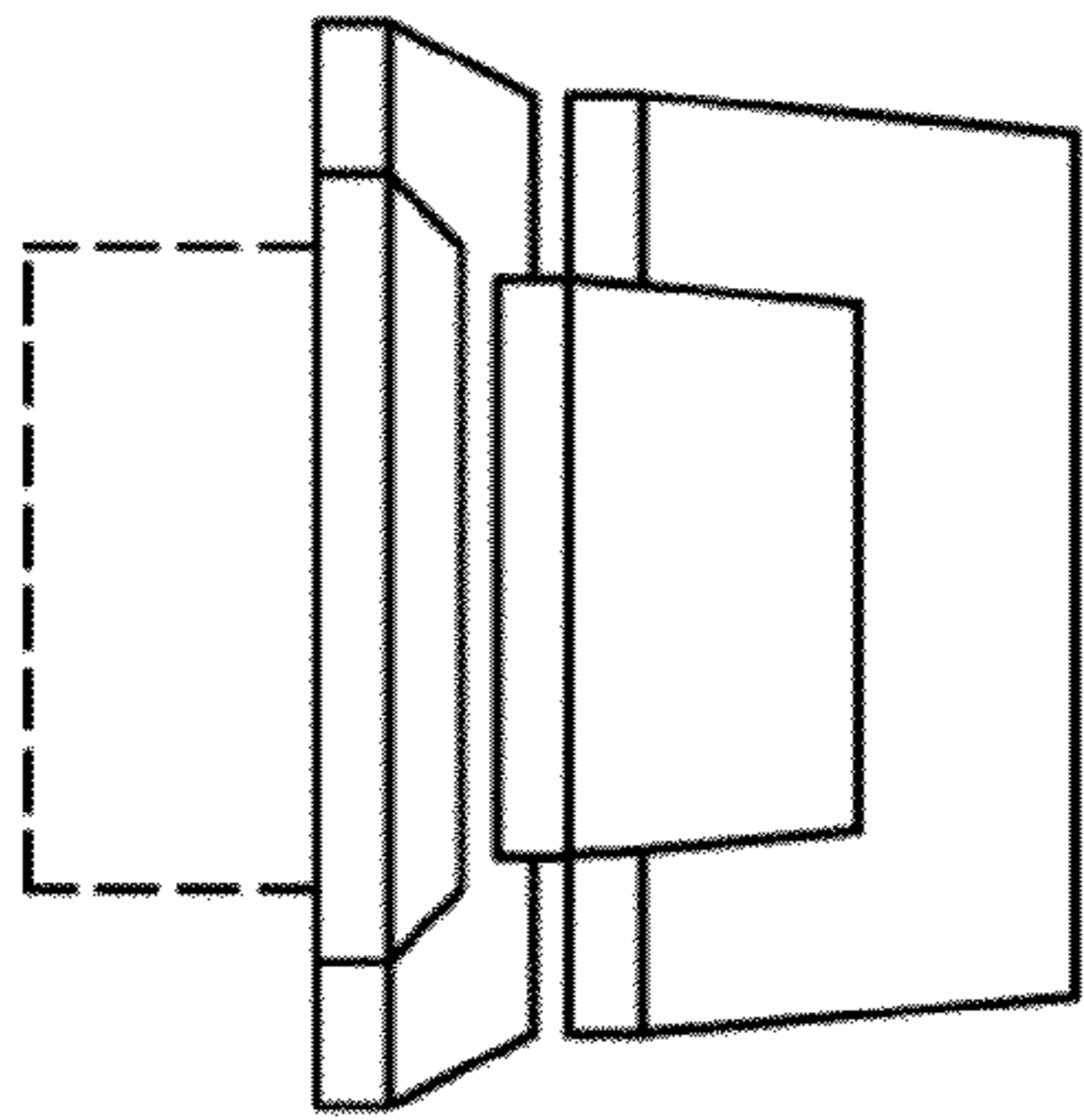


Fig. 4

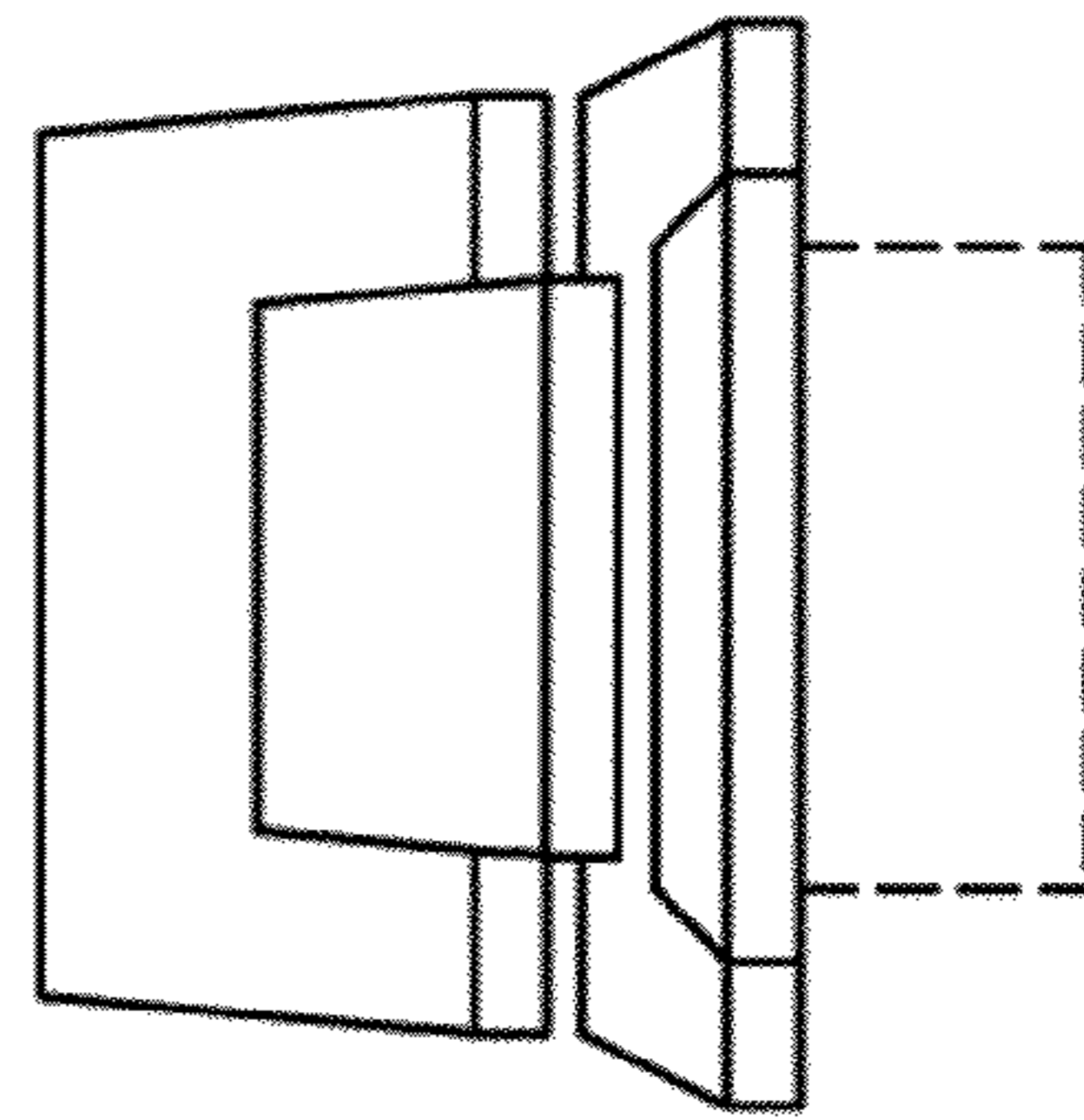


Fig. 5

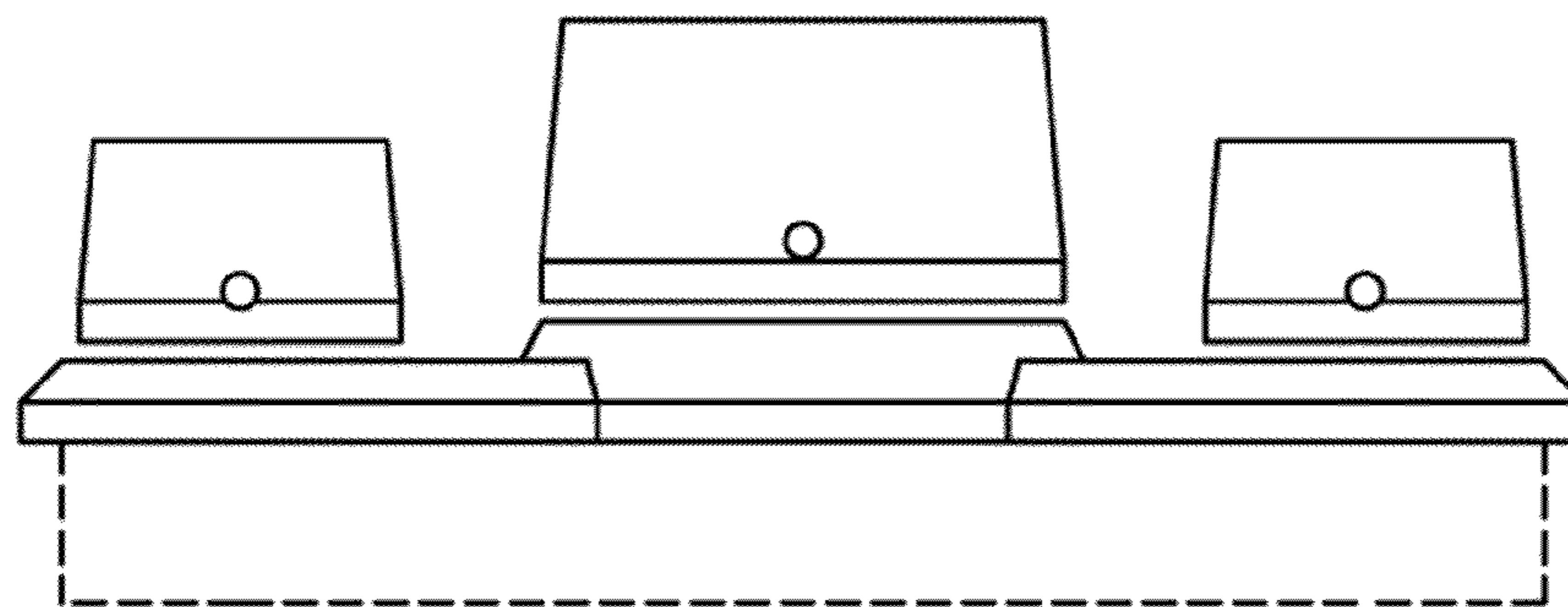


Fig. 6

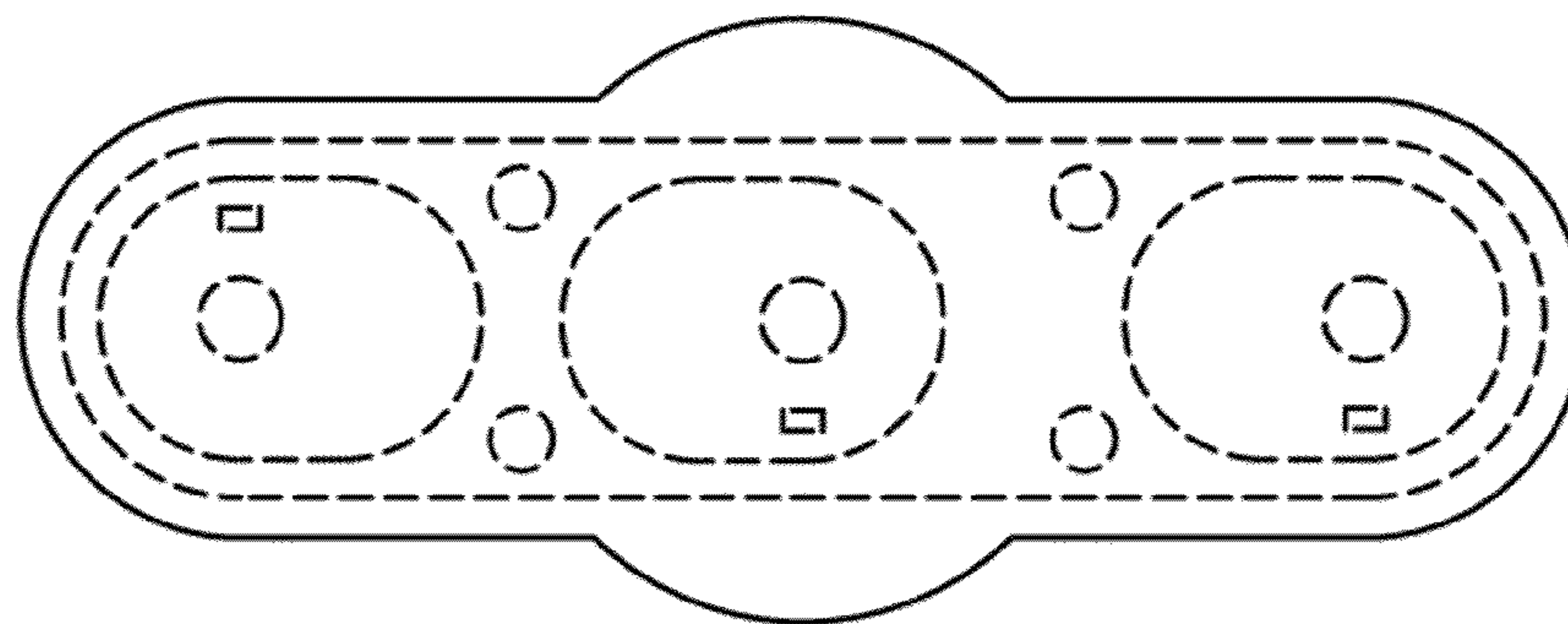


Fig. 7