



US00D674883S

(12) **United States Design Patent**
Ball

(10) **Patent No.:** **US D674,883 S**

(45) **Date of Patent:** **** *Jan. 22, 2013**

(54) **FLEXIBLE BATHTUB WASTE PIPE ASSEMBLY**

(75) Inventor: **William T. Ball**, Colorado Springs, CO (US)

(73) Assignee: **WCM Industries, Inc.**, Colorado Springs, CO (US)

(*) Notice: This patent is subject to a terminal disclaimer.

(**) Term: **14 Years**

(21) Appl. No.: **29/396,333**

(22) Filed: **Jun. 29, 2011**

Related U.S. Application Data

(63) Continuation-in-part of application No. 12/100,762, filed on Apr. 10, 2008, which is a continuation-in-part of application No. 10/971,895, filed on Oct. 22, 2004.

(51) **LOC (9) Cl.** **23-01**

(52) **U.S. Cl.** **D23/266**

(58) **Field of Classification Search** D23/238, D23/249, 259, 262, 266; 285/179, 179.1; 4/679, 680, 686-687

See application file for complete search history.

(56) **References Cited**

U.S. PATENT DOCUMENTS

37,956 A	3/1863	Doytt
437,289 A	9/1890	Clark
1,018,021 A	2/1912	Willetts
1,068,039 A	7/1913	Clark
1,213,466 A	1/1917	Delanoy
1,692,710 A	11/1928	Spahn
1,781,719 A	11/1930	Henry
1,873,274 A	8/1932	Boosey

1,925,008 A	8/1933	Schact
1,980,493 A	11/1934	Morisseau
2,044,253 A	6/1936	Morris
2,084,437 A	6/1937	Frankenberger
2,580,575 A	5/1949	Muckler
3,263,244 A	8/1966	Katz
3,416,982 A	12/1968	Petzetakis
3,724,507 A	4/1973	Kleykamp et al.

(Continued)

FOREIGN PATENT DOCUMENTS

FR 1191141 10/1959

(Continued)

OTHER PUBLICATIONS

“Ultralite®—Type NM (Liquidtight Flexible Nonmetallic Conduit)”, Southwire Company brochure/pamphlet, as early as 2003, printed on Dec. 14, 2008, pp. 1-3.

(Continued)

Primary Examiner — Eric Goodman

(74) *Attorney, Agent, or Firm* — Sheridan Ross P.C.

(57) **CLAIM**

The ornamental design for a flexible bathtub waste pipe assembly, as shown and described.

DESCRIPTION

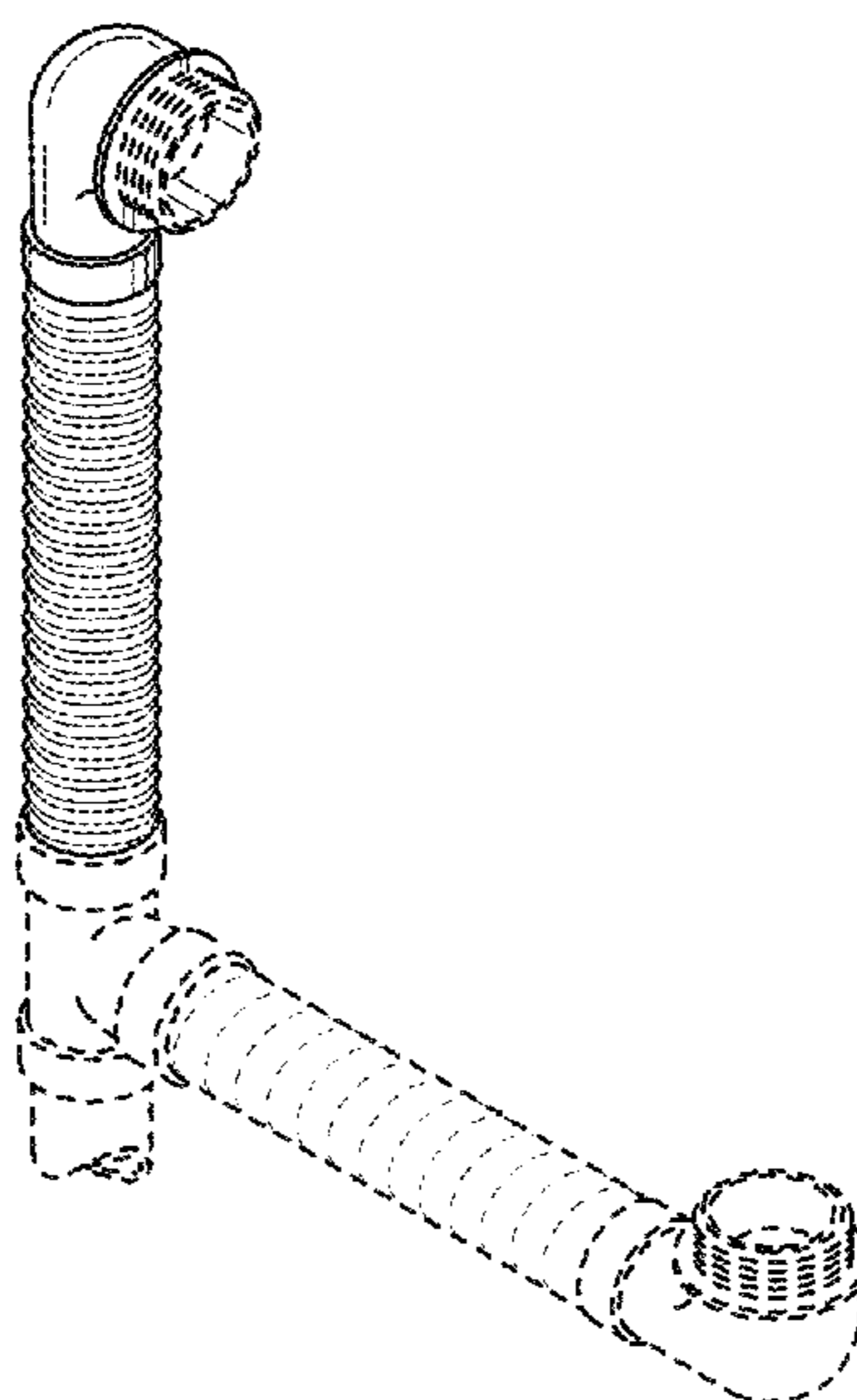
FIG. 1 is a perspective view of the flexible bathtub waste pipe assembly showing the new design;

FIG. 2 is a front elevation view thereof, the rear elevation view being a mirror image of the front elevation view; and,

FIG. 3 is another front elevation view thereof wherein a flexible vertical pipe is shown in a second position of use.

The broken lines in the figures show environment and is for illustrative purposes only and forms no part of the claimed design.

1 Claim, 1 Drawing Sheet



US D674,883 S

U.S. PATENT DOCUMENTS

3,860,977	A	1/1975	Poltz
3,937,497	A	2/1976	Studer
D248,133	S	6/1978	Shames et al.
4,146,939	A	4/1979	Izzi
4,194,251	A	3/1980	Pennerstorfer
4,233,697	A	11/1980	Cornwall
4,240,166	A	12/1980	Altman et al.
4,294,370	A	10/1981	Toeppen
4,307,901	A	12/1981	Orberg et al.
4,352,213	A	10/1982	Watts
4,470,437	A	9/1984	Rabinovich
4,594,738	A	6/1986	Gebert
4,599,784	A	7/1986	Canu, Jr. et al.
4,683,597	A	8/1987	Taylor et al.
4,722,556	A	2/1988	Todd
4,796,926	A	1/1989	Rapsilver
4,825,477	A	5/1989	Aranda
4,920,582	A	5/1990	Alker
4,936,350	A	6/1990	Huber
5,115,554	A	5/1992	Fell, Sr.
5,163,480	A	11/1992	Huber
D341,410	S	11/1993	Molinaro
5,324,001	A	6/1994	Duke
5,350,266	A	9/1994	Espey et al.
5,377,361	A	1/1995	Piskula
5,507,501	A	4/1996	Palmer
D373,623	S	9/1996	Mathison
D381,405	S	7/1997	Waidele et al.
5,692,248	A	12/1997	Ball
5,745,931	A	5/1998	Ball
5,890,241	A	4/1999	Ball
5,944,985	A	8/1999	Bowman
5,957,514	A	9/1999	Brookshire
5,971,438	A	10/1999	Johnson
5,997,049	A	12/1999	Kingsford et al.
6,058,525	A	5/2000	Paden
6,058,526	A	5/2000	Parisi et al.
6,062,254	A	5/2000	Brady et al.
6,076,545	A	6/2000	Cooper
6,085,363	A	7/2000	Huber
6,088,843	A	7/2000	Francisco
6,145,136	A	11/2000	Parisi et al.
6,173,459	B1	1/2001	Ball
6,192,531	B1	2/2001	Fritz et al.
6,263,518	B1	7/2001	Magtanong
6,295,664	B2	10/2001	Fritz et al.
6,317,906	B1	11/2001	Ball
6,338,168	B1	1/2002	Valentine
6,418,570	B1	7/2002	Ball
6,484,331	B2	11/2002	Minnick
6,530,722	B1	3/2003	Shaw et al.
6,546,573	B1	4/2003	Ball
6,592,669	B2	7/2003	Damrau
6,618,875	B1	9/2003	Oropallo et al.
6,637,050	B1	10/2003	Ball

6,640,358	B2	11/2003	Ball
6,675,406	B2	1/2004	Ball
6,681,420	B1	1/2004	Ball
6,691,411	B2	2/2004	Ball
6,901,611	B2	6/2005	McEntire et al.
7,210,493	B1	5/2007	Wang
7,343,923	B2	3/2008	Foster
7,451,502	B2	11/2008	Ball
D627,862	S	11/2010	Ball
D636,468	S	4/2011	Ball
7,963,568	B2 *	6/2011	Jensen 285/191
2002/0032926	A1	3/2002	Lewis
2004/0012197	A1	1/2004	Guillaud et al.
2004/0034926	A1	2/2004	Ball
2004/0055083	A1	3/2004	Ball
2004/0055084	A1	3/2004	Ball
2004/0068792	A1	4/2004	Ball
2004/0068793	A1	4/2004	Ball
2004/0103474	A1	6/2004	Ball
2004/0117907	A1	6/2004	Ball
2006/0085907	A1	4/2006	Ball
2006/0096018	A1	5/2006	Ball
2006/0096019	A1	5/2006	Ball
2008/0196161	A1	8/2008	Ball
2009/0173396	A1	7/2009	Spadavecchia
2009/0250120	A1	10/2009	Robbins
2009/0260154	A1	10/2009	Shoop et al.
2010/0163131	A1	7/2010	Fehr et al.
2011/0154566	A1 *	6/2011	Shafik 4/680
2012/0005824	A1 *	1/2012	Ball 4/680

FOREIGN PATENT DOCUMENTS

FR	2643097	8/1990
GB	1216208	12/1970

OTHER PUBLICATIONS

Official Action for Mexico Patent Application No. PA/a/2005/011301, dated Mar. 18, 2010 3 pages.

Official Action for Mexico Patent Application No. PA/a/2005/011301, dated Oct. 10, 2010.

Official Action for U.S. Appl. No. 10/971,895, mailed Apr. 25, 2007.

Official Action for U.S. Appl. No. 10/971,895, mailed Oct. 12, 2007.

Official Action for U.S. Appl. No. 29/360,523, mailed Oct. 5, 2010.

Notice of Allowability for U.S. Appl. No. 29/360,524, mailed Oct. 7, 2010.

Notice of Allowability for U.S. Appl. No. 29/360,523, mailed Jan. 11, 2011.

Official Action for U.S. Appl. No. 29/360,523, mailed Dec. 23, 2010.

Corrected Notice of Allowance for U.S. Appl. No. 29/360,523, mailed Mar. 16, 2011 3 pages.

Official Action for U.S. Appl. No. 12/100,762, mailed Sep. 15, 2011 9 pages.

* cited by examiner

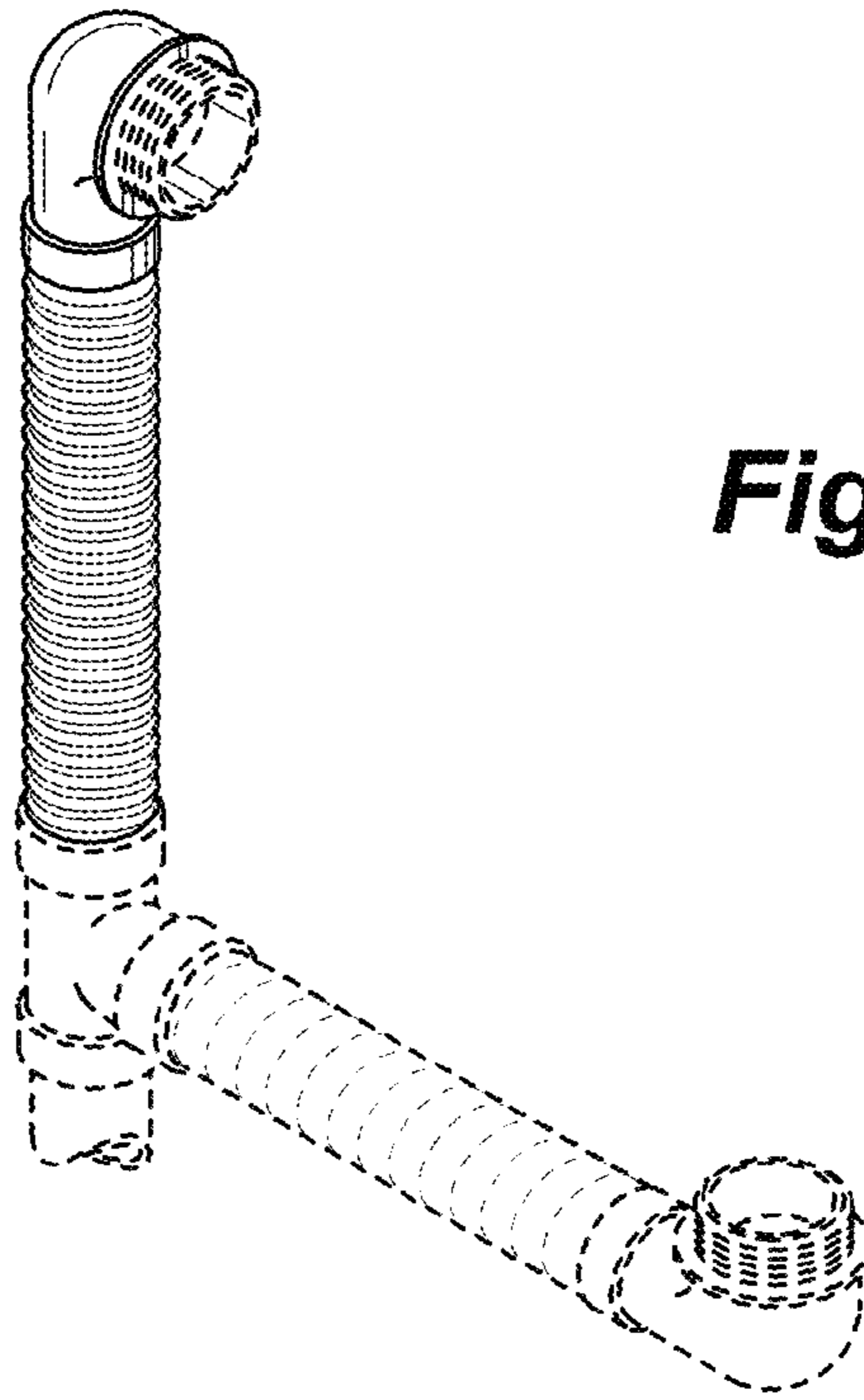


Fig. 1

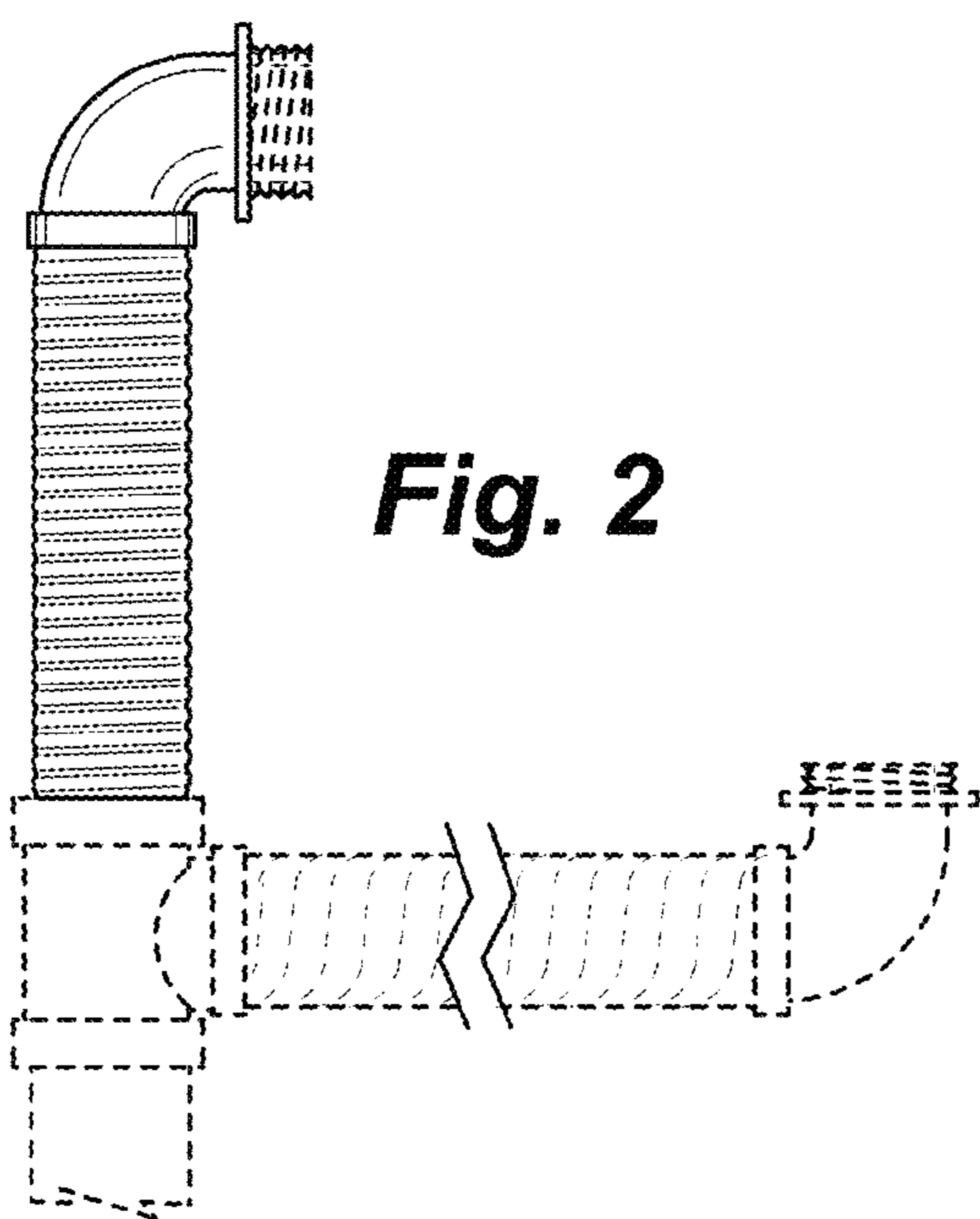


Fig. 2

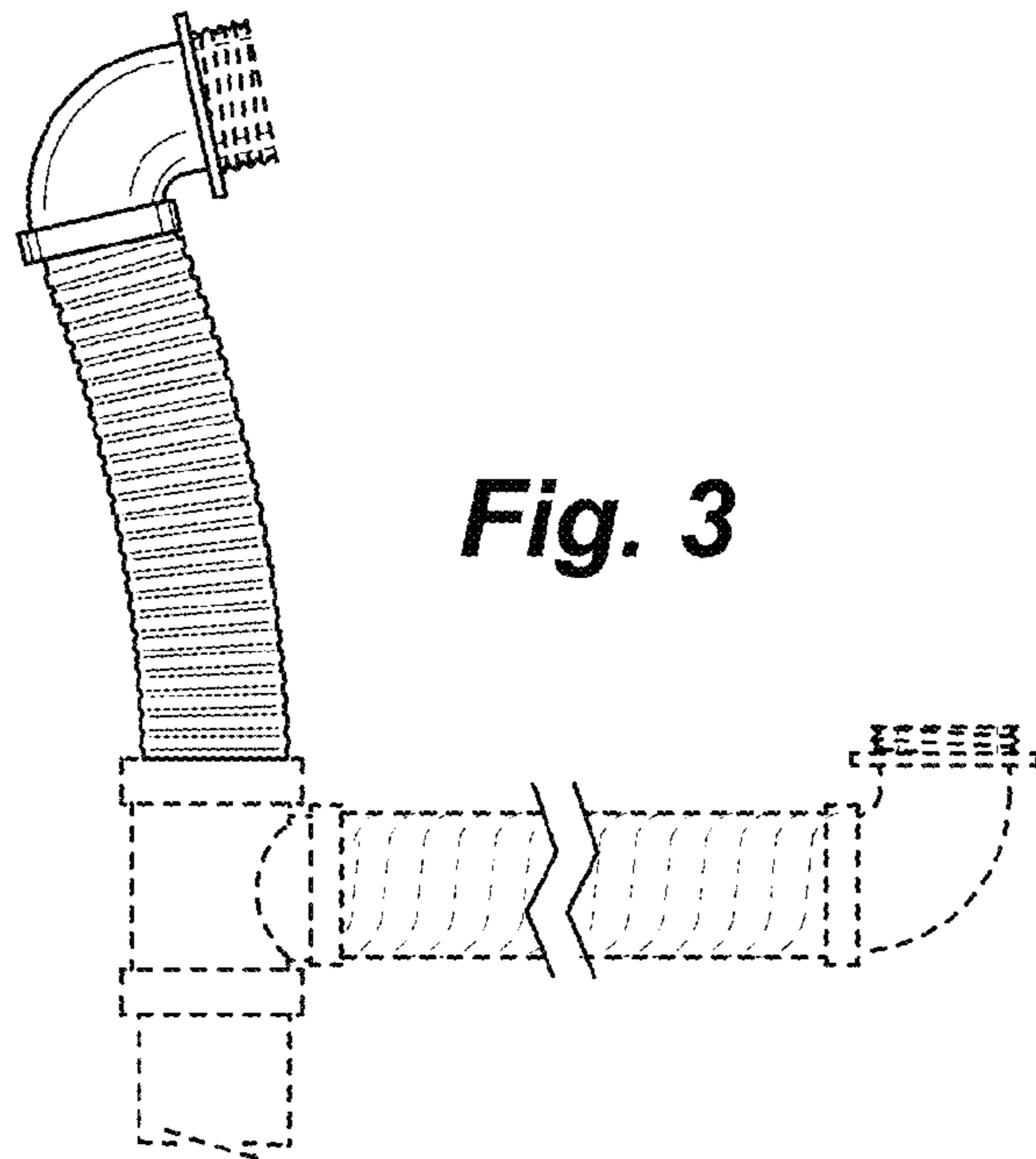


Fig. 3