



US00D674882S

(12) **United States Design Patent**
Kwok

(10) **Patent No.:** **US D674,882 S**

(45) **Date of Patent:** **** Jan. 22, 2013**

(54) **FAUCET HUB**

(75) **Inventor:** **Celine Kwok**, Indianapolis, IN (US)

(73) **Assignee:** **Masco Corporation of Indiana**,
Indianapolis, IN (US)

(**) **Term:** **14 Years**

(21) **Appl. No.:** **29/417,859**

(22) **Filed:** **Apr. 10, 2012**

(51) **LOC (9) Cl.** **23-01**

(52) **U.S. Cl.** **D23/252**

(58) **Field of Classification Search** D23/238–243,
D23/250, 252, 249, 245; 4/675–678; 137/801
See application file for complete search history.

(56) **References Cited**

U.S. PATENT DOCUMENTS

D437,394 S *	2/2001	Mark et al.	D23/238
D468,400 S *	1/2003	Panis et al.	D23/238
D496,092 S *	9/2004	Otero	D23/252
D550,330 S *	9/2007	Mullenmeister	D23/238
D620,559 S *	7/2010	Romero	D23/238

* cited by examiner

Primary Examiner — Robert Delehanty

(74) *Attorney, Agent, or Firm* — Edgar A. Zarins; Nirav D. Parikh; Lora J. Graentzdoerffer

(57) **CLAIM**

The ornamental design for a faucet hub, as shown and described.

DESCRIPTION

FIG. 1 is a perspective view of a faucet hub showing my new design;

FIG. 2 is a front elevational view thereof;

FIG. 3 is a rear view thereof;

FIG. 4 is a first side view thereof;

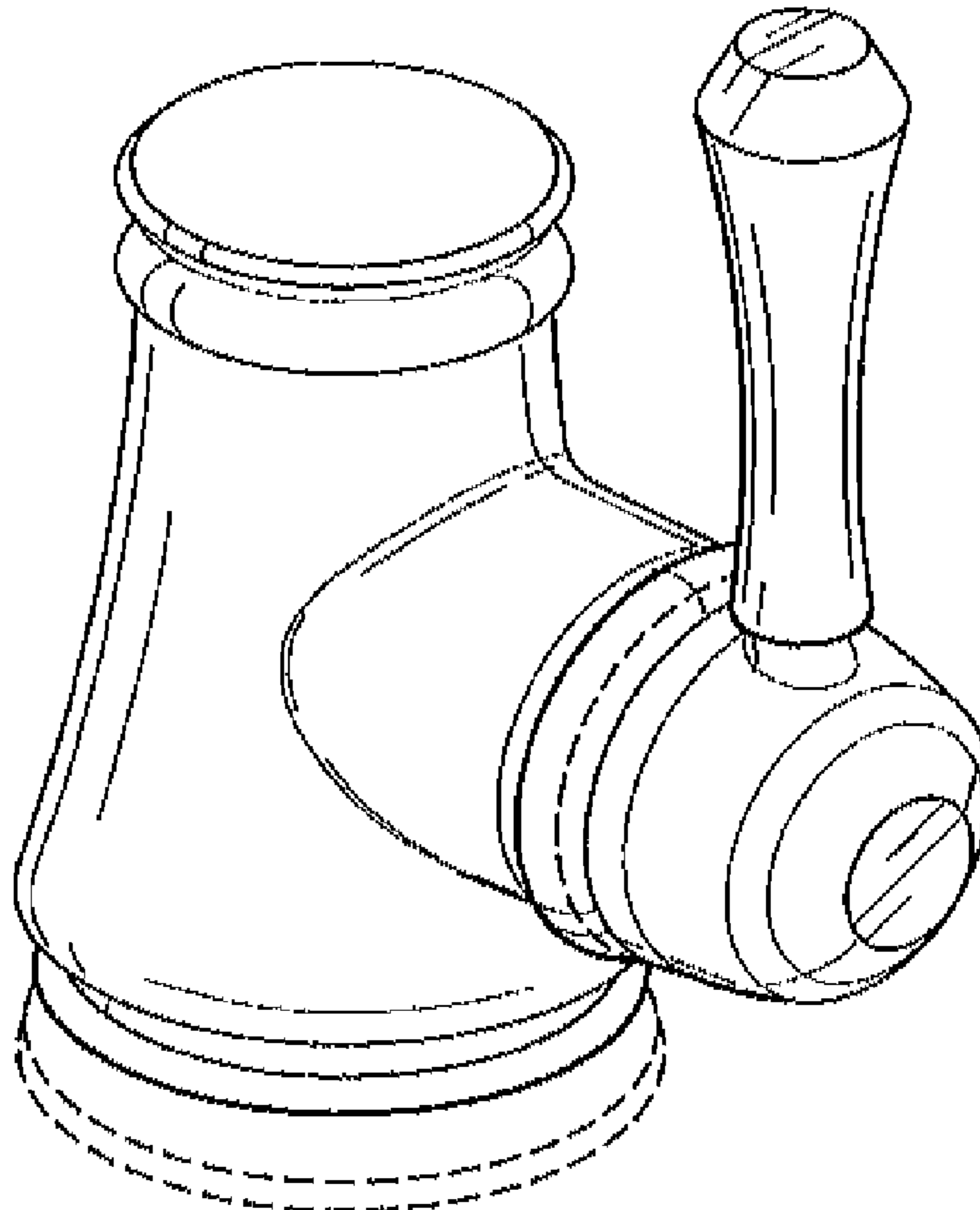
FIG. 5 is a second side view thereof;

FIG. 6 is a top plan view thereof; and,

FIG. 7 is a bottom view thereof.

The broken lines shown in the drawings are included for the purpose of illustrating a portion of the faucet handle that forms no part of the claimed design.

1 Claim, 2 Drawing Sheets



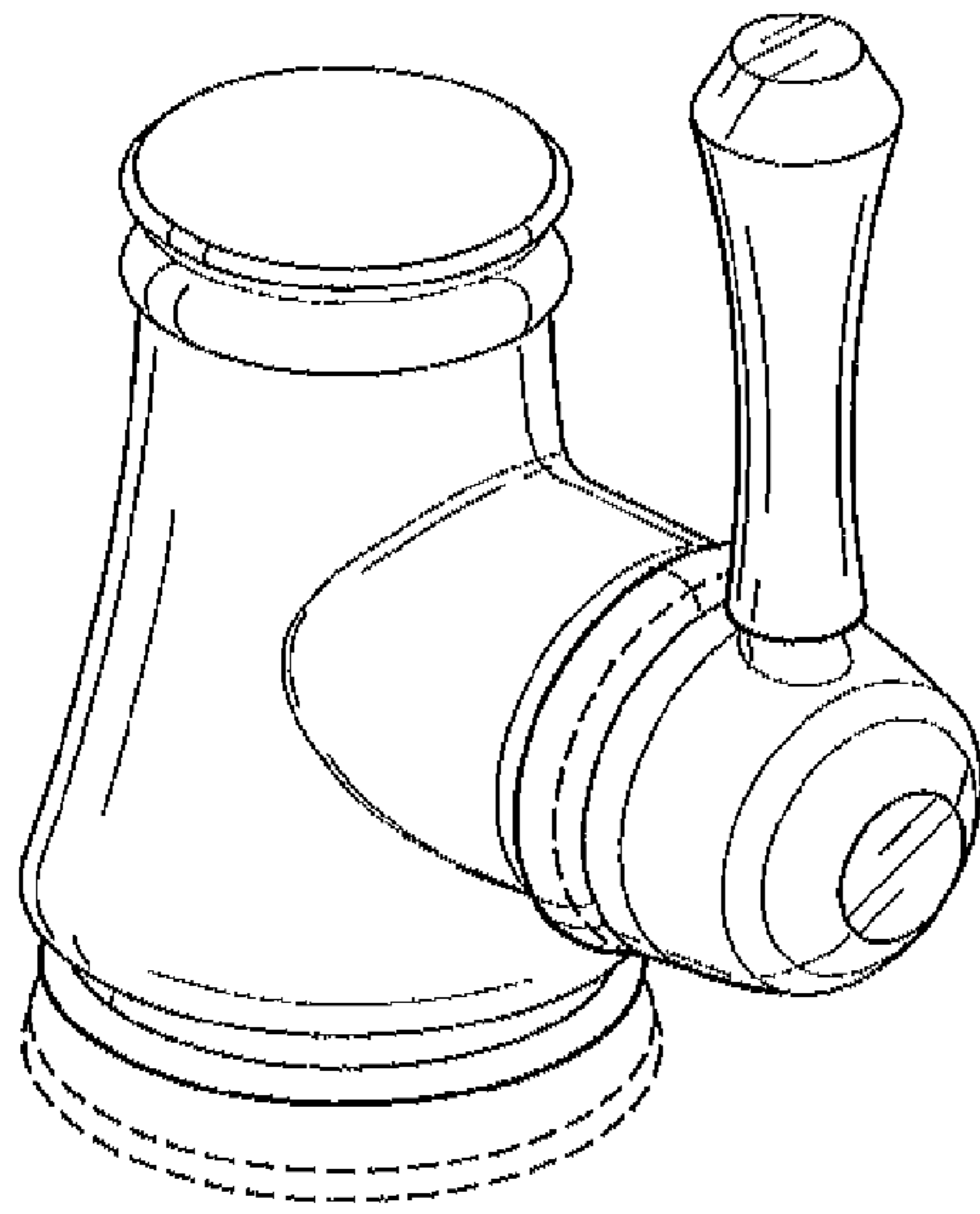


Fig-1

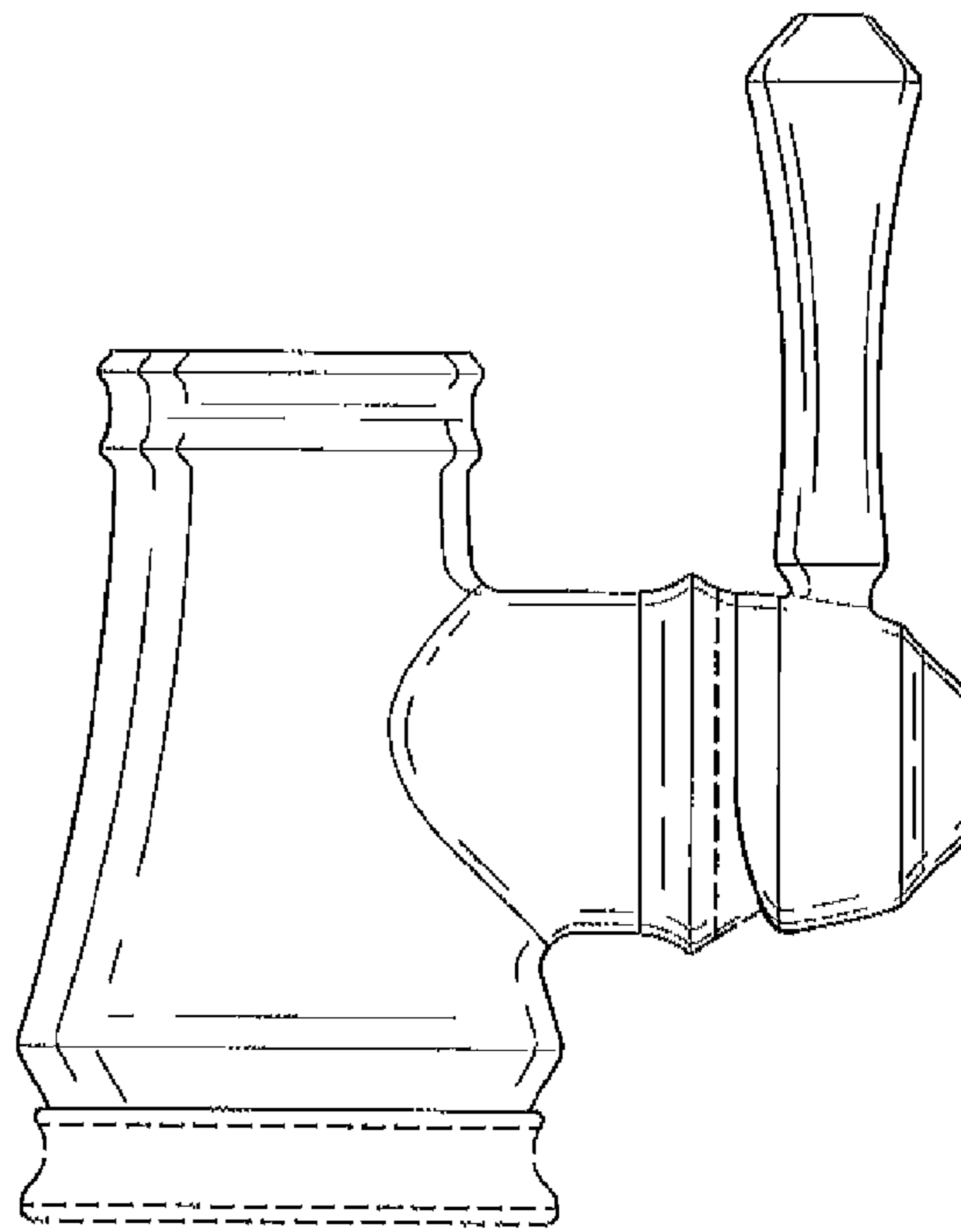


Fig-2

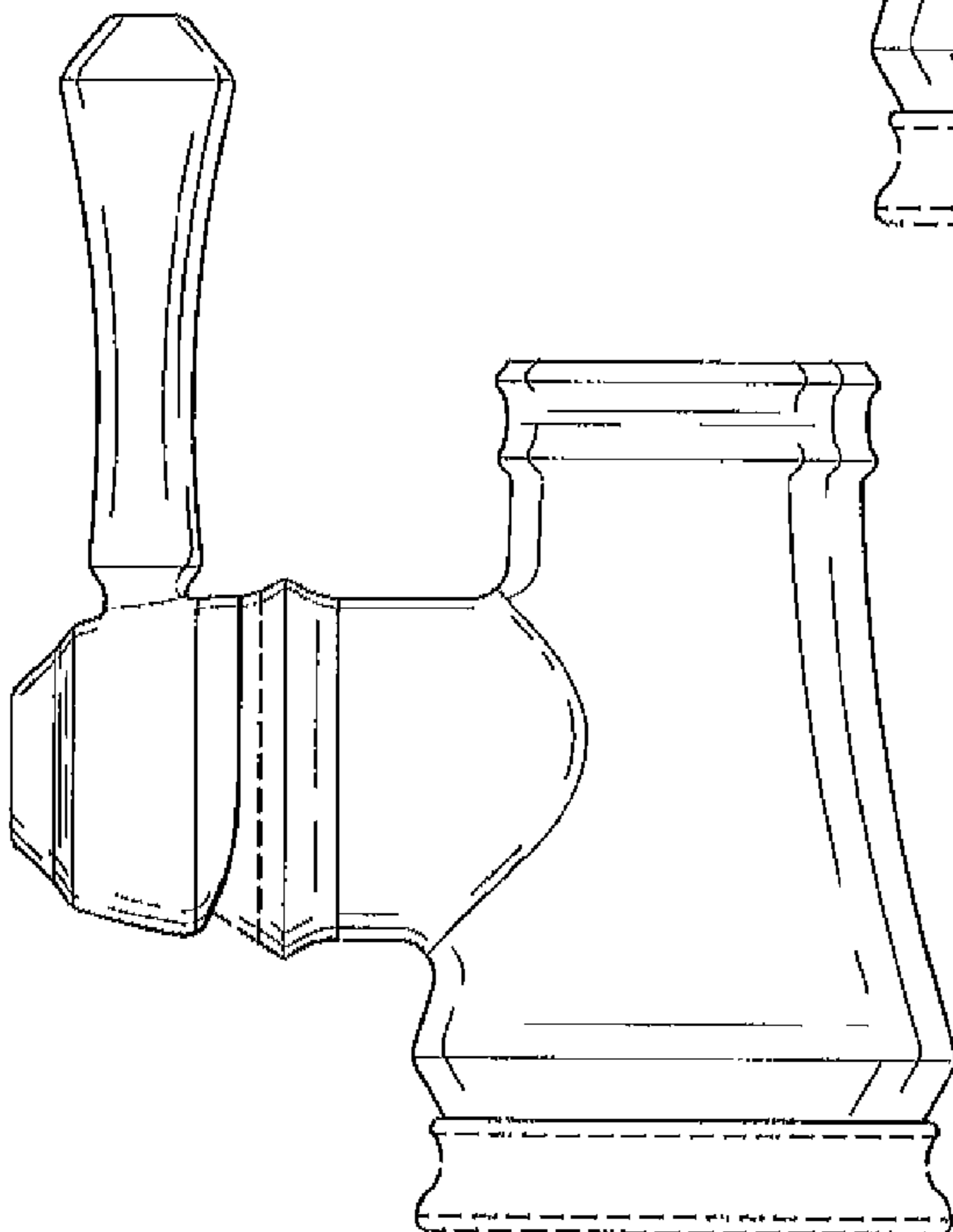


Fig-3

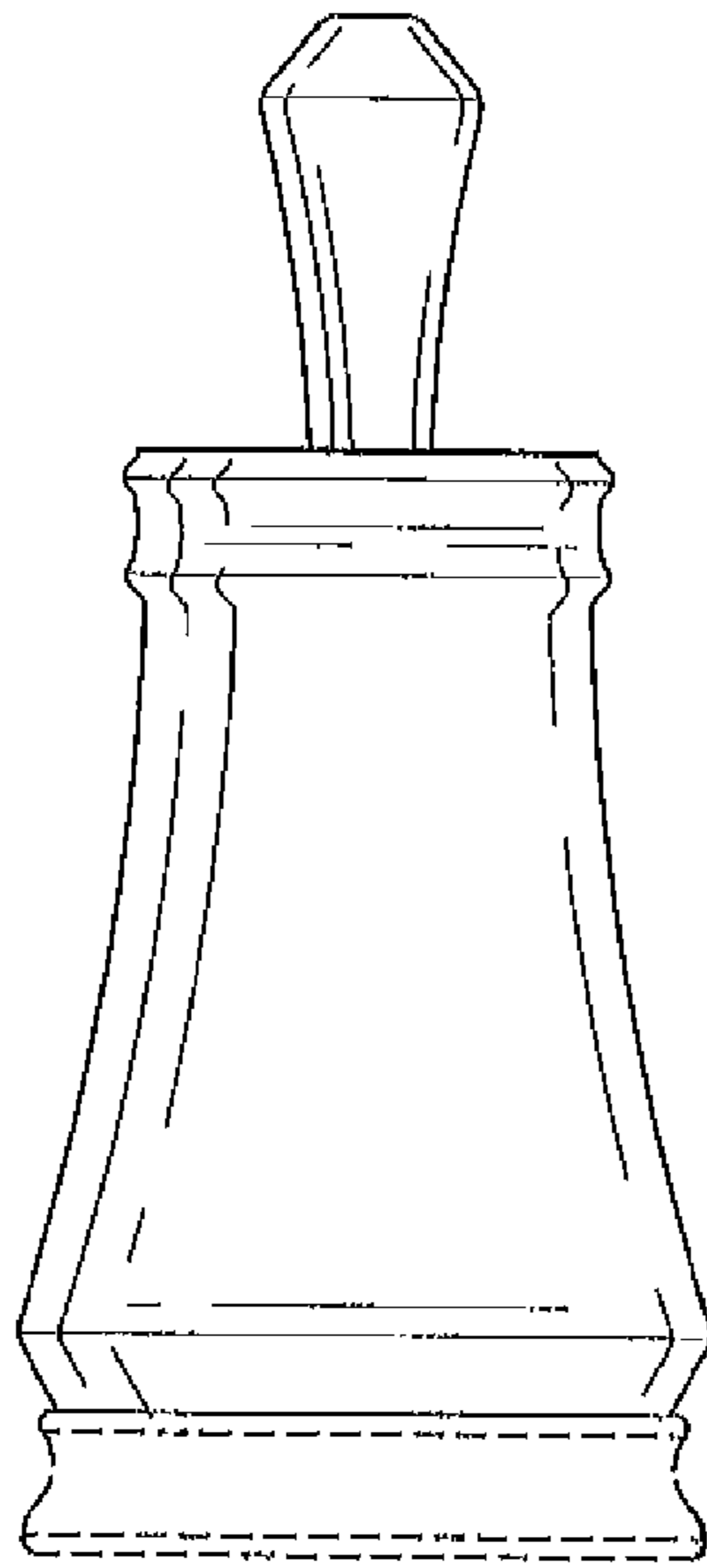


Fig-4

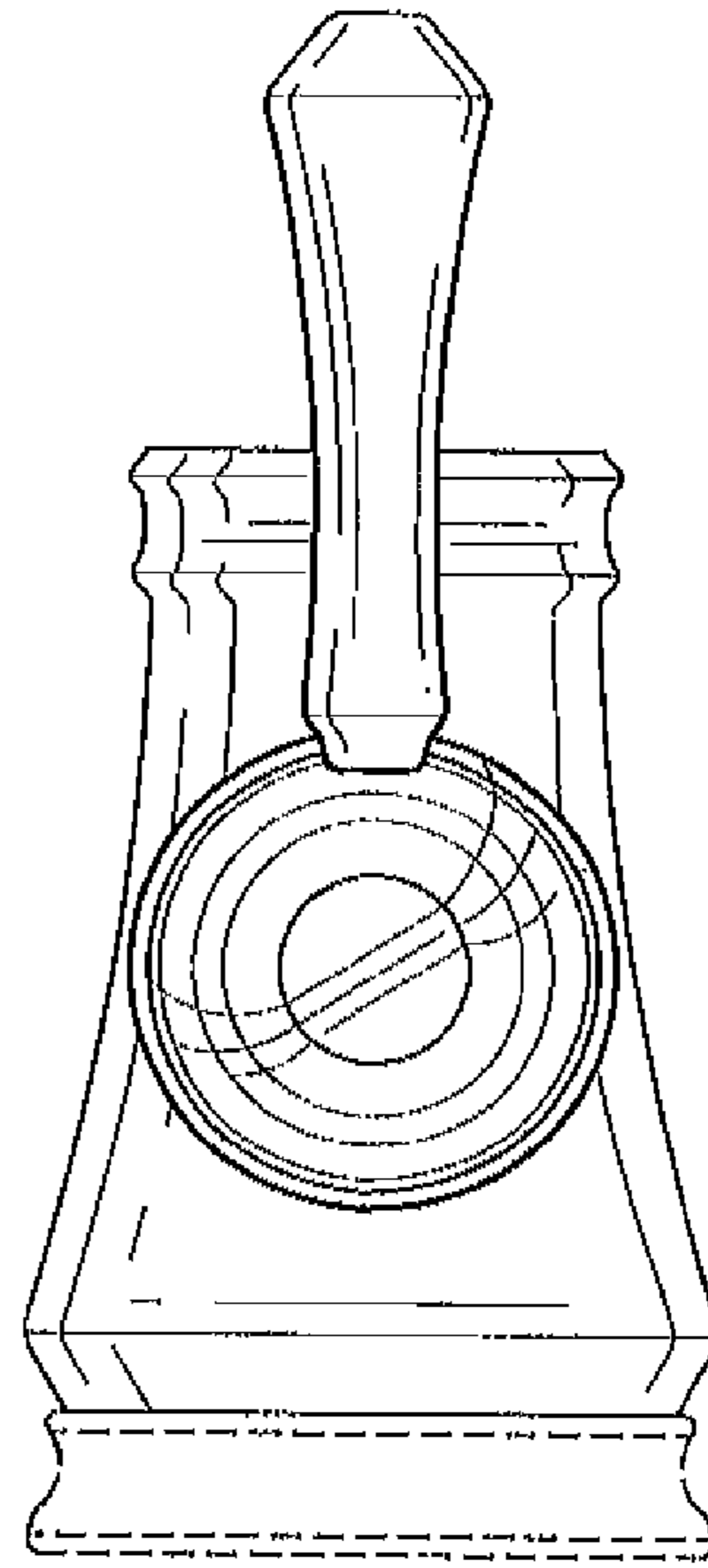


Fig-5

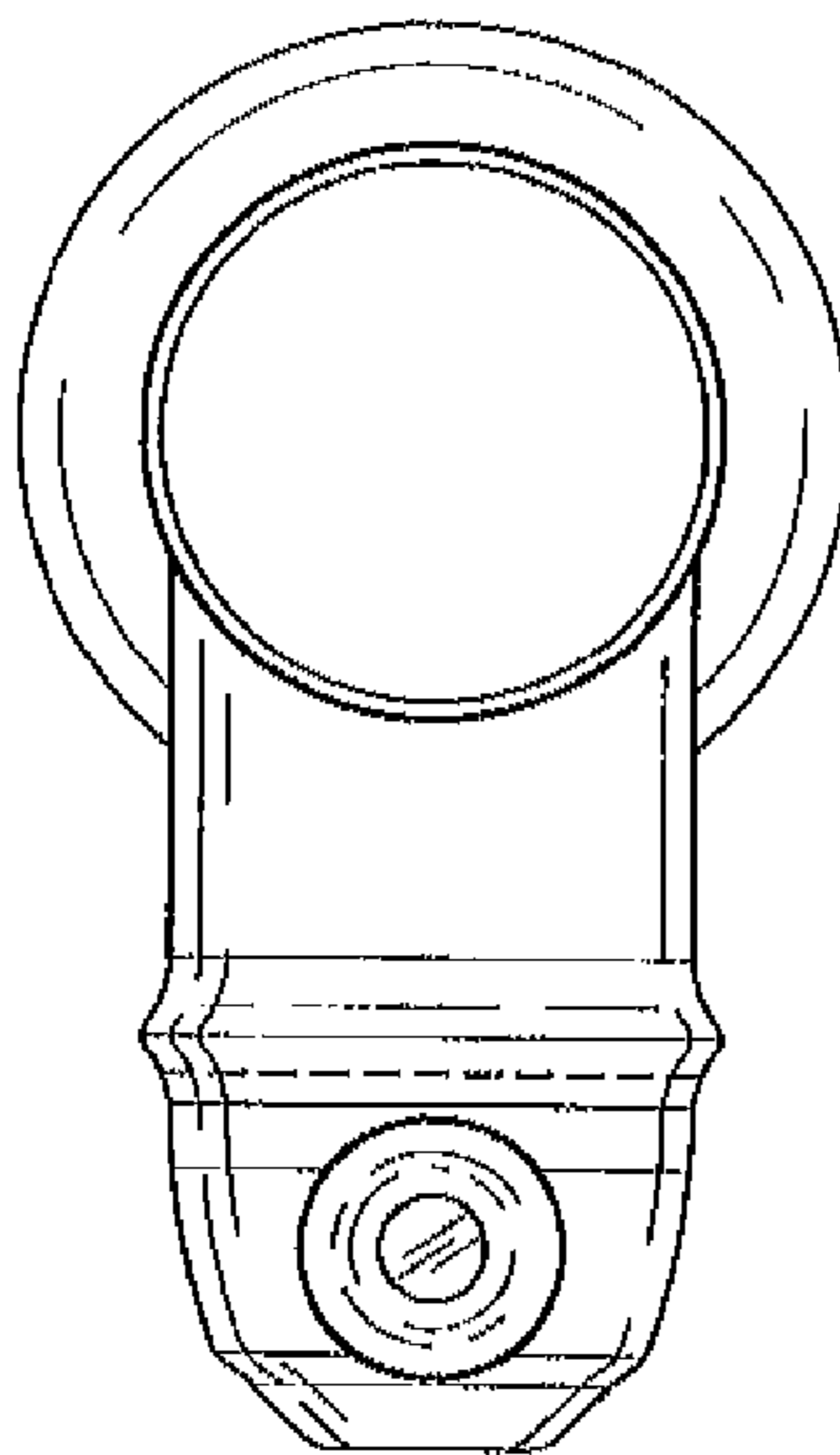


Fig-6

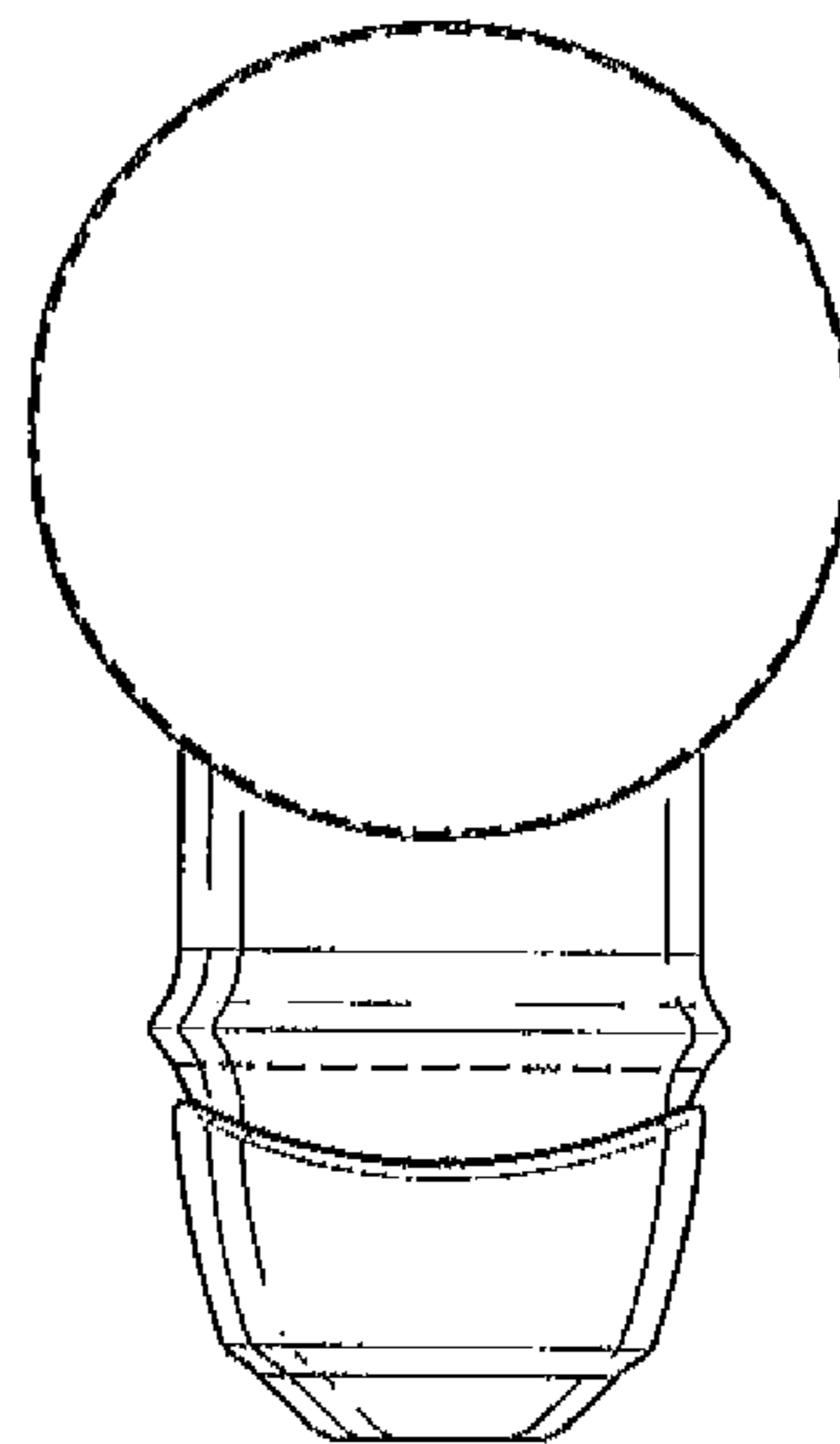


Fig-7