



US00D674879S

(12) **United States Design Patent**  
**Spangler**

(10) **Patent No.:** **US D674,879 S**

(45) **Date of Patent:** **\*\* Jan. 22, 2013**

(54) **HANDHELD SHOWER**

(56) **References Cited**

(75) **Inventor:** **Anthony Spangler**, Indianapolis, IN  
(US)

U.S. PATENT DOCUMENTS

D546,919 S \* 7/2007 Dingler et al. .... D23/223  
D603,936 S \* 11/2009 Hoernig et al. .... D23/223  
D621,907 S \* 8/2010 Miller et al. .... D23/223

(73) **Assignee:** **Masco Corporation of Indiana**,  
Indianapolis, IN (US)

\* cited by examiner

*Primary Examiner* — Robin V Webster

(\*\*) **Term:** **14 Years**

(74) *Attorney, Agent, or Firm* — Edgar A. Zarins; Nirav D. Parikh; Lora J. Graentzdoerffer

(21) **Appl. No.:** **29/418,007**

(57) **CLAIM**

The ornamental design for a handheld shower, as shown and described.

(22) **Filed:** **Apr. 11, 2012**

**DESCRIPTION**

(51) **LOC (9) Cl.** ..... **23-01**

FIG. 1 is a perspective view of a handheld shower showing my new design;

(52) **U.S. Cl.** ..... **D23/223**

FIG. 2 is a top end view thereof;

(58) **Field of Classification Search** ..... D23/213,  
D23/223, 226, 229, 230; 4/615; 239/282,  
239/283, 462

FIG. 3 is a front elevational view thereof;

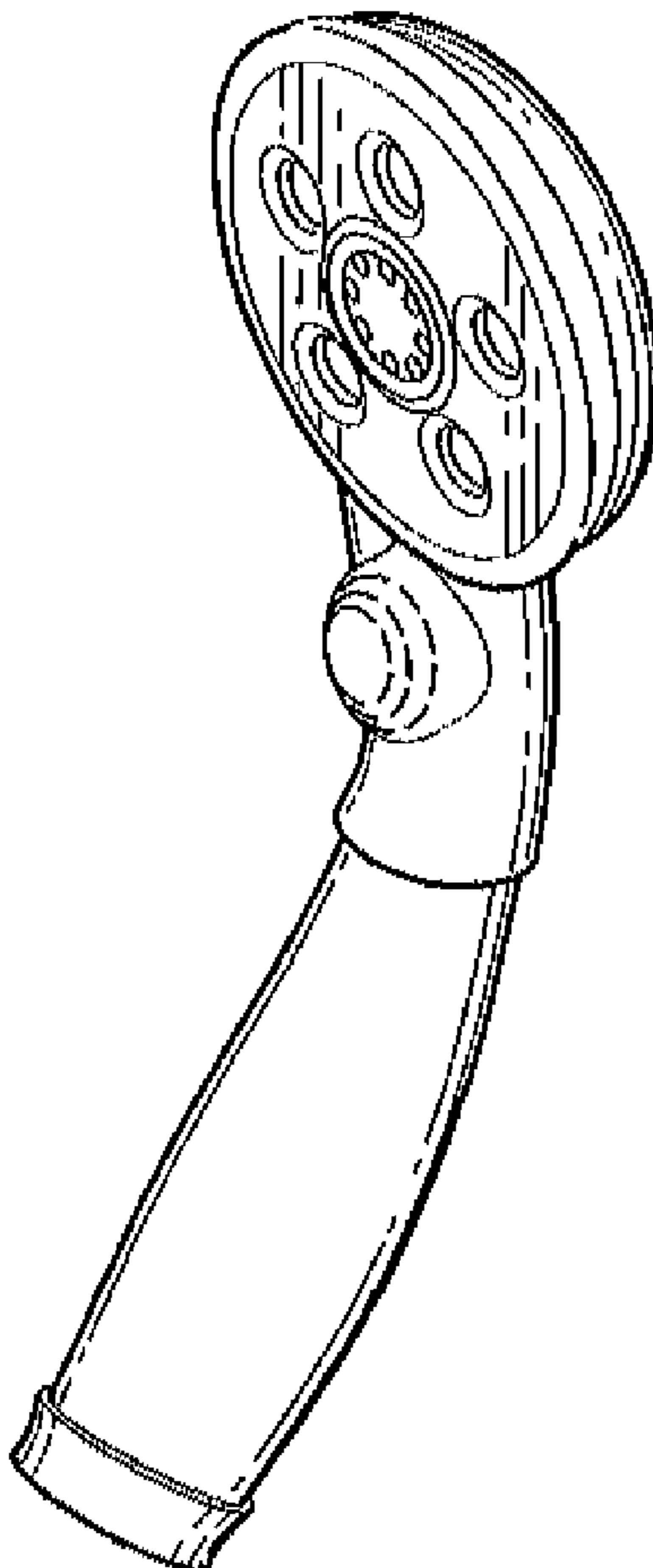
FIG. 4 is a bottom end view thereof;

FIG. 5 is a rear view thereof; and,

FIG. 6 is a first side view thereof, the opposite side being a mirror image of the side shown.

See application file for complete search history.

**1 Claim, 1 Drawing Sheet**



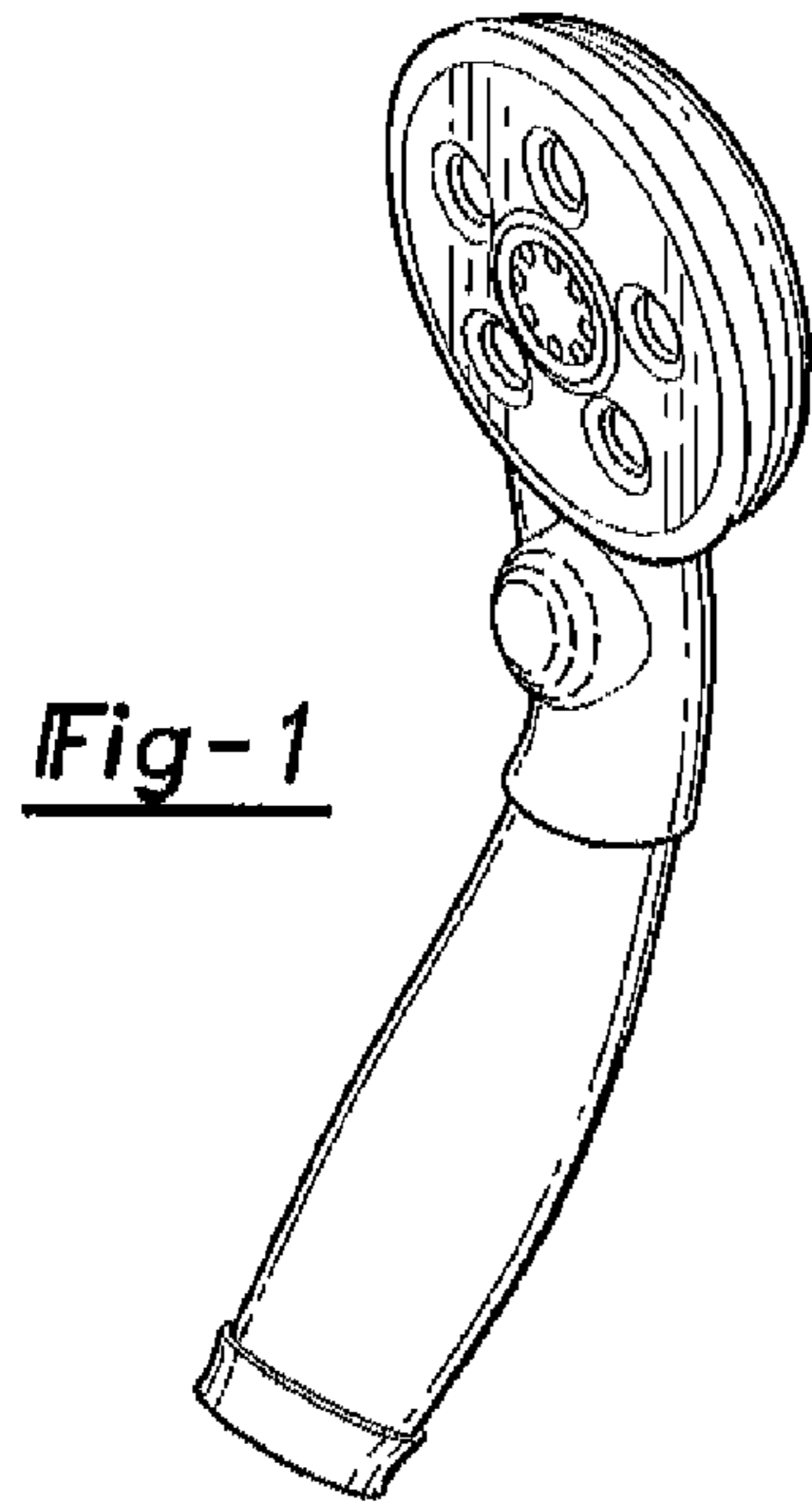


Fig-1

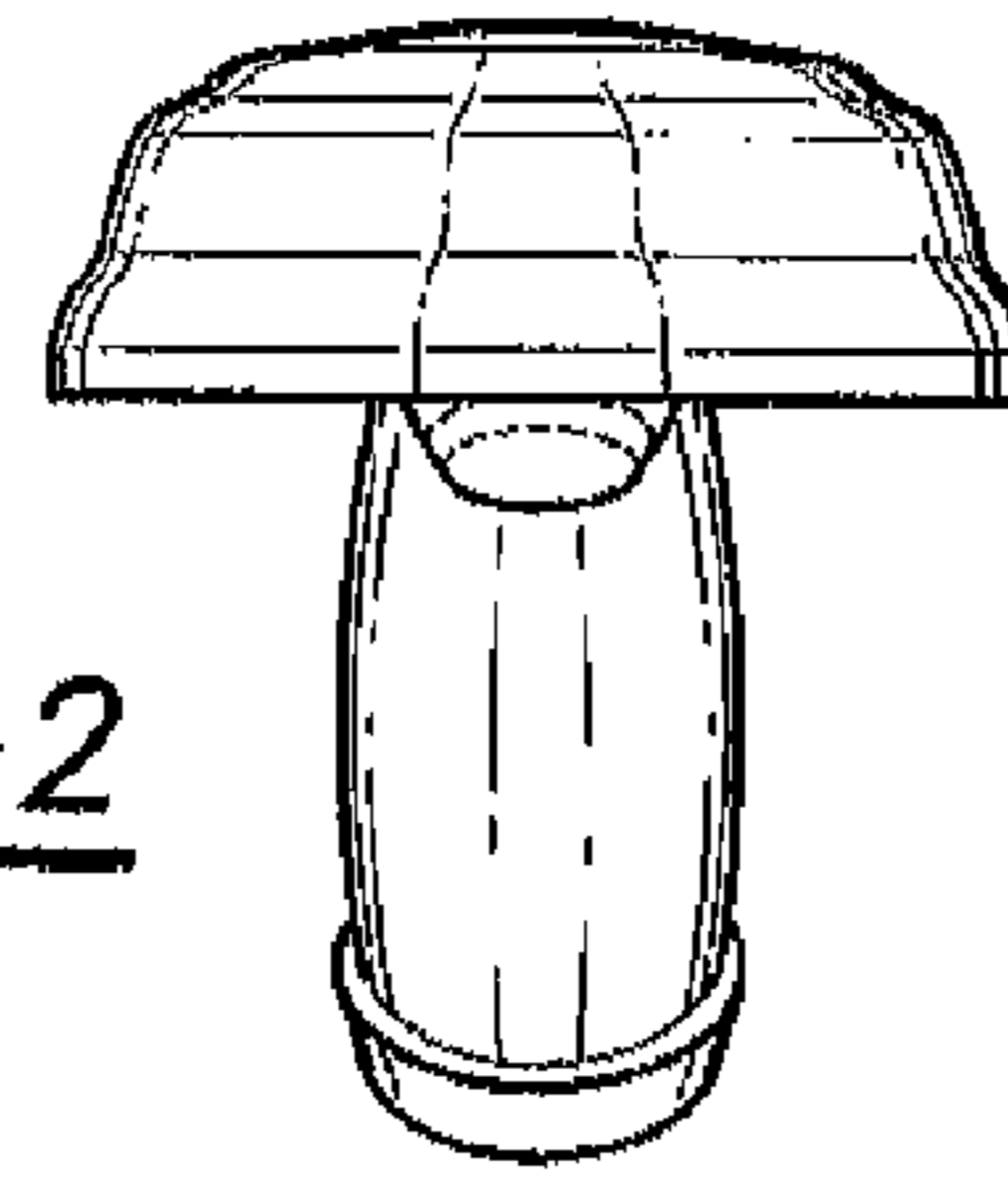


Fig-2

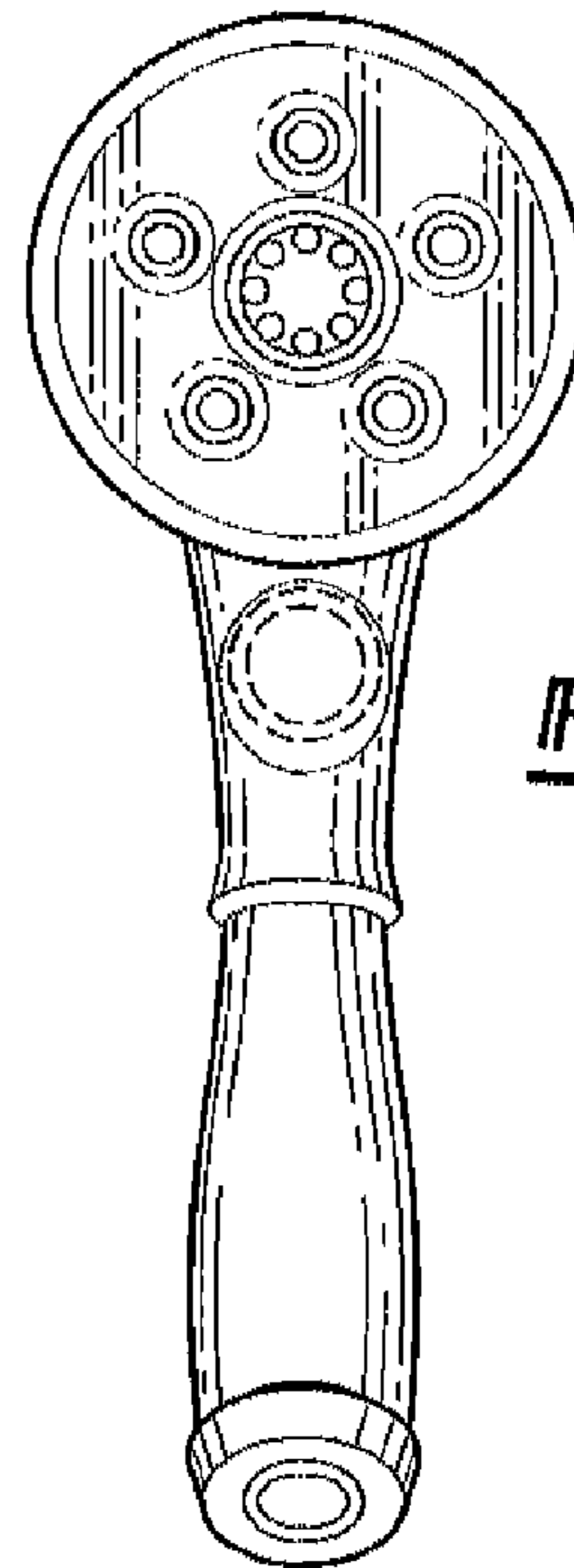


Fig-3

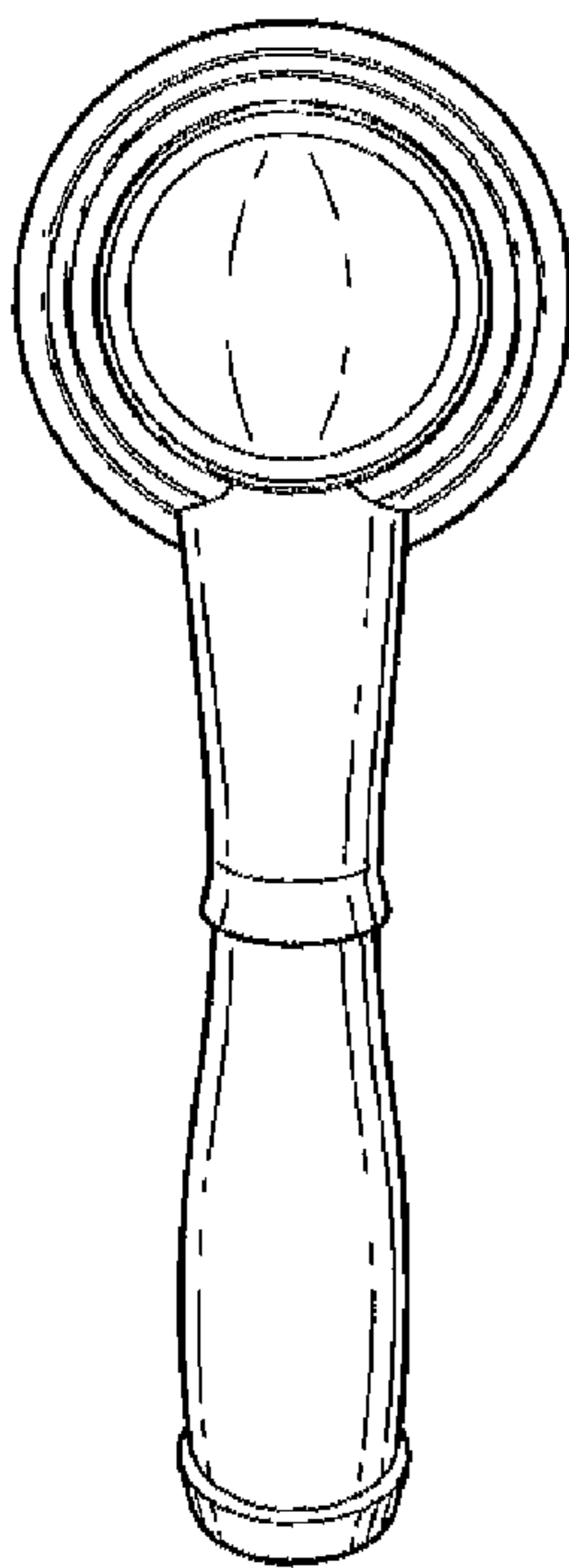


Fig-5

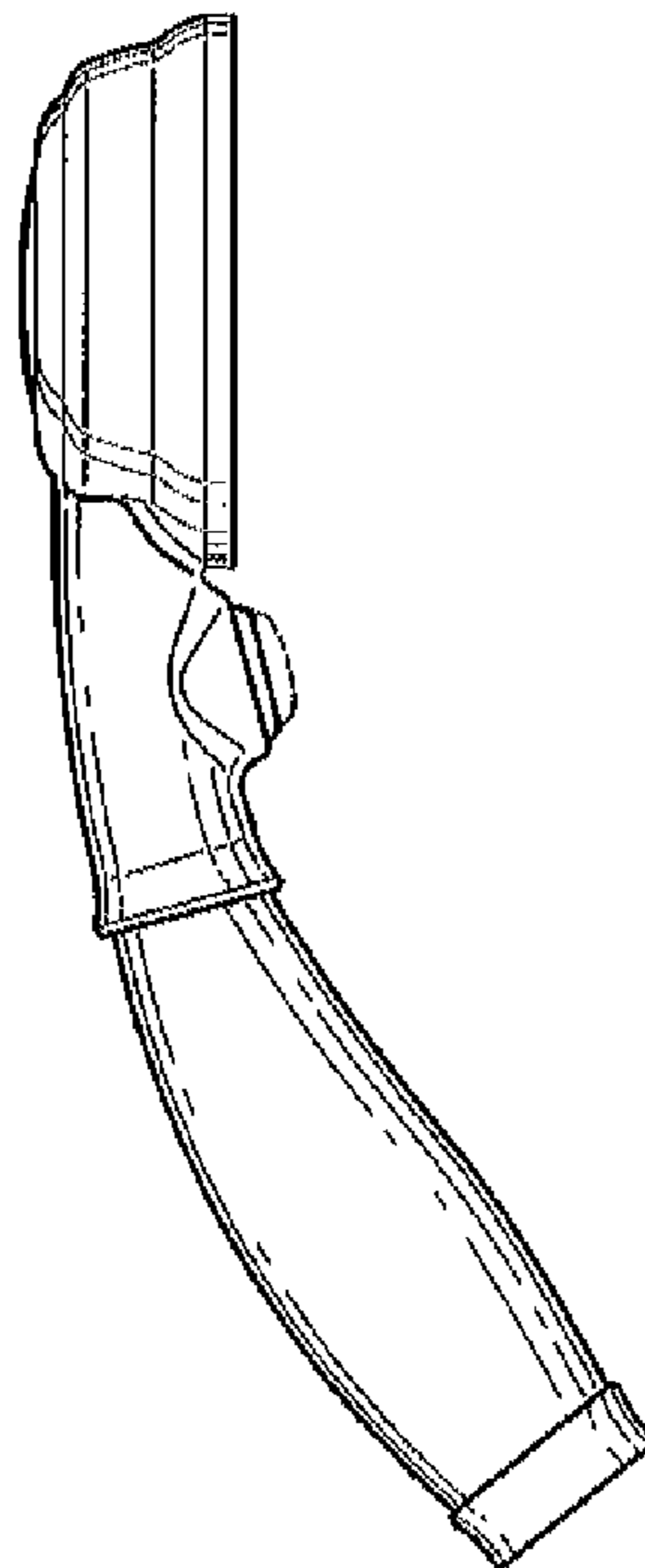


Fig-6

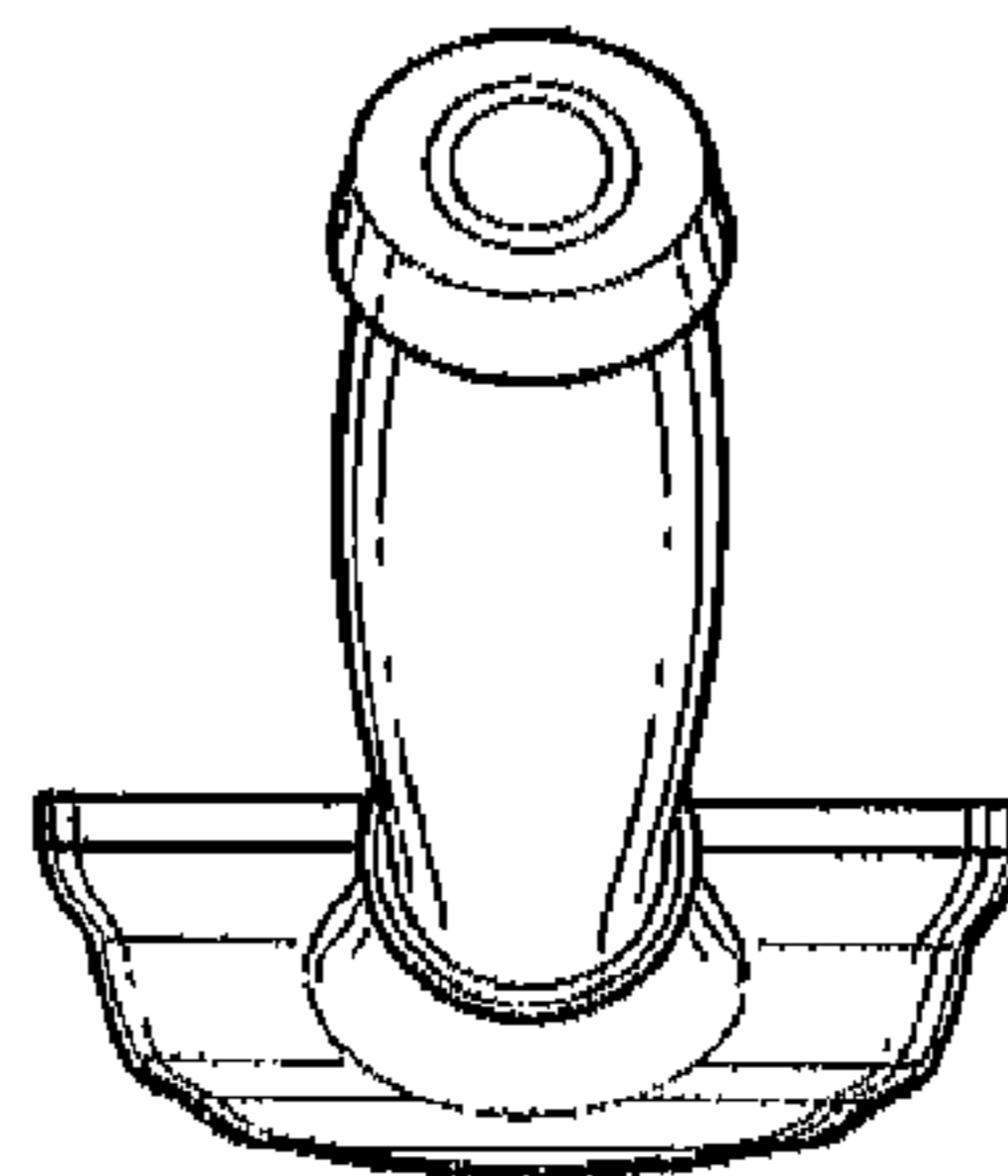


Fig-4