



US00D674878S

(12) **United States Design Patent**
Jones et al.

(10) **Patent No.:** **US D674,878 S**

(45) **Date of Patent:** **** Jan. 22, 2013**

(54) **UNIVERSAL AERATOR**

(75) Inventors: **Chad H. Jones**, Frisco, TX (US); **Justin D. Pendleton**, The Colony, TX (US)

(73) Assignee: **Danco, Inc.**, Irving, TX (US)

(**) Term: **14 Years**

(21) Appl. No.: **29/420,680**

(22) Filed: **May 11, 2012**

(51) **LOC (9) Cl.** **23-01**

(52) **U.S. Cl.** **D23/213**

(58) **Field of Classification Search** D23/213,
D23/249; 239/428.5, 437; 261/DIG. 22

See application file for complete search history.

(56) **References Cited**

U.S. PATENT DOCUMENTS

D191,975 S * 12/1961 Lehman D23/213
D195,324 S * 5/1963 Gloor D23/213
D231,929 S * 6/1974 Ranson D23/213

D322,837 S * 12/1991 Woodruff D23/213
D529,140 S * 9/2006 Grether D23/249
D539,872 S * 4/2007 Grether D23/249
D641,834 S * 7/2011 Blum D23/249

* cited by examiner

Primary Examiner — Robin V Webster

(74) *Attorney, Agent, or Firm* — Ross Barnes LLP; Monty L Ross; Robin L Barnes

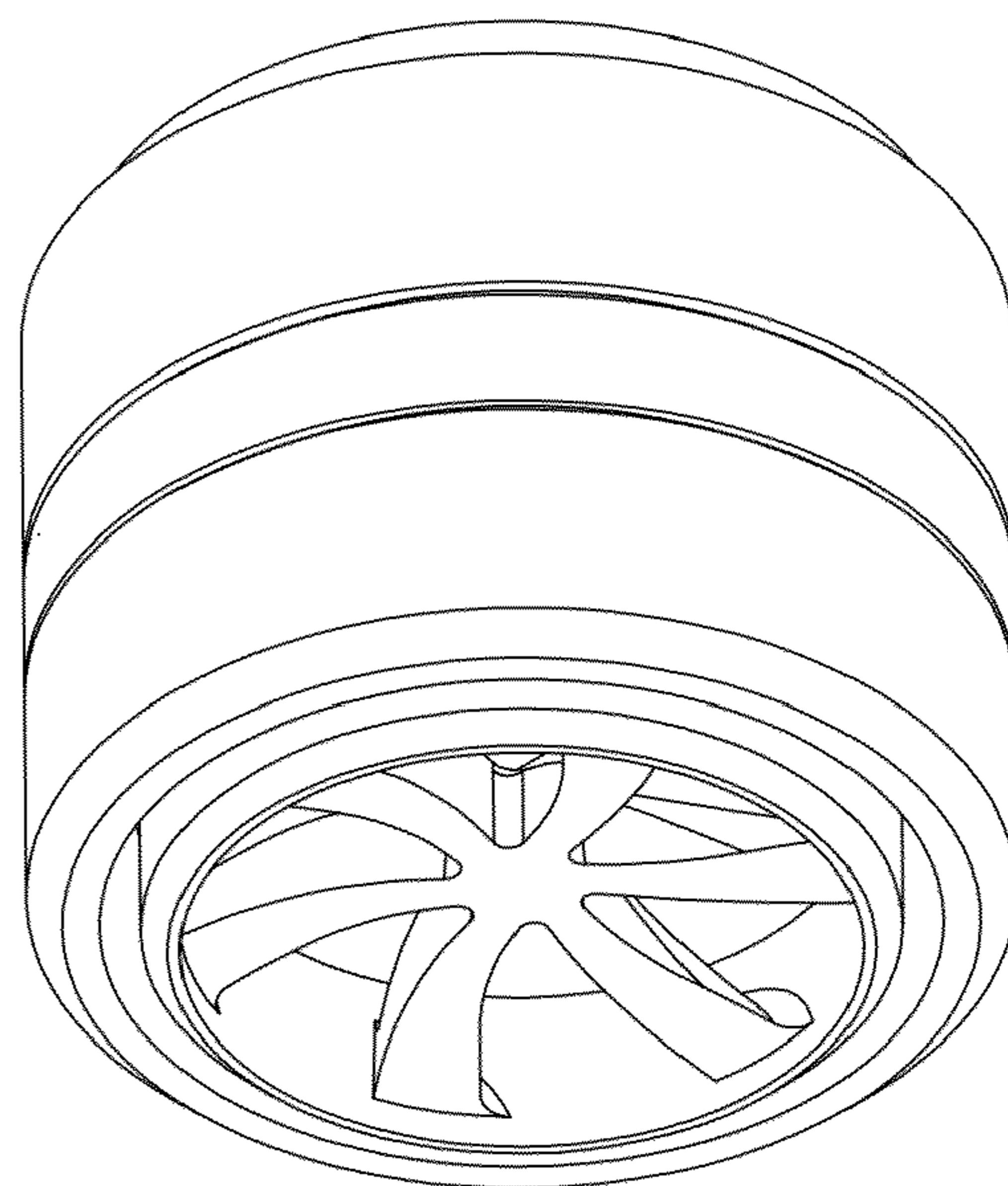
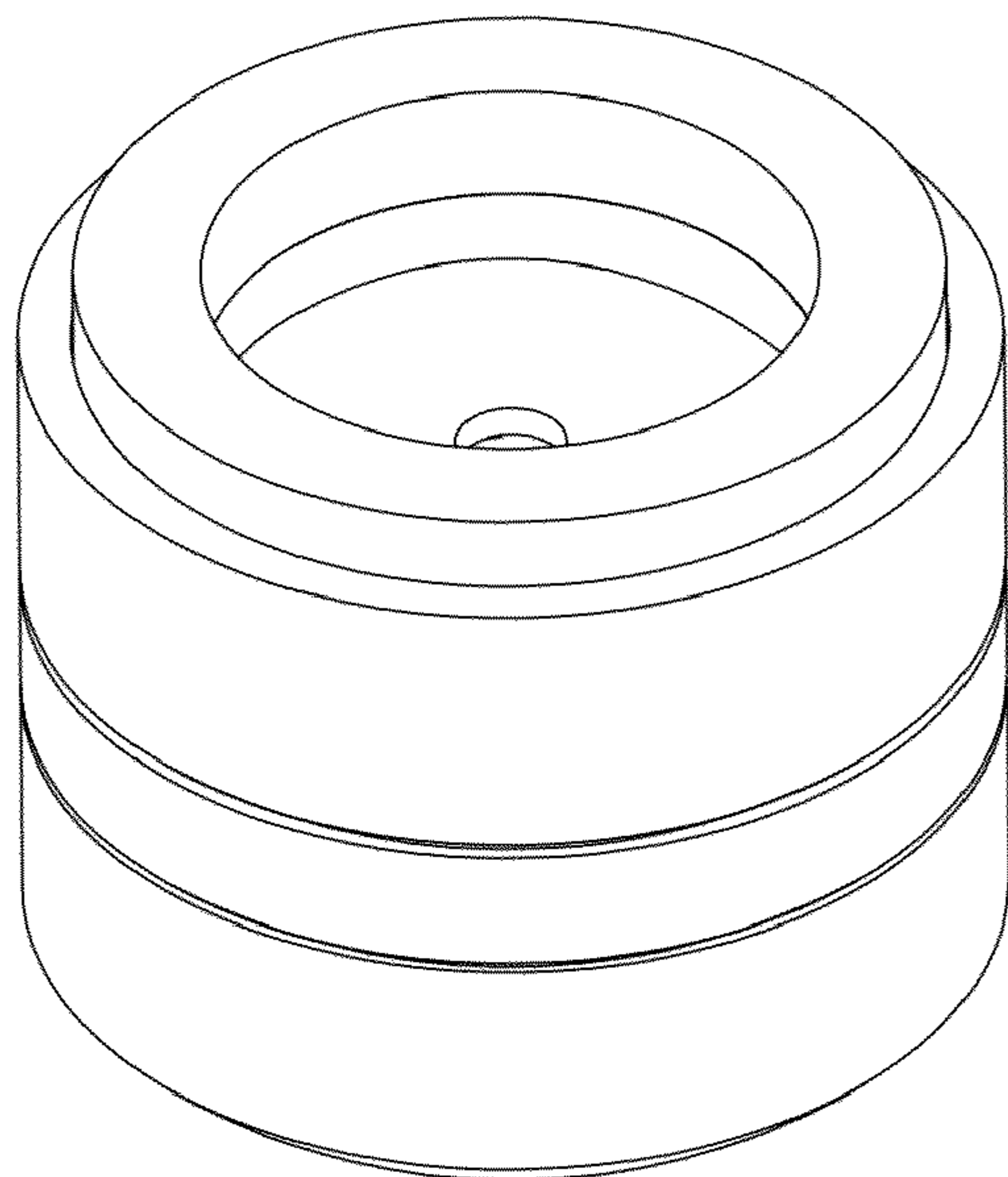
(57) **CLAIM**

The ornamental design for a universal aerator, as shown and described.

DESCRIPTION

FIG. 1 is a top perspective view;
FIG. 2 is a bottom perspective view;
FIG. 3 is a front elevation view;
FIG. 4 is a top plan view; and,
FIG. 5 is a bottom plan view.
The left side, right side and rear elevation views are the same as the front elevation view.

1 Claim, 3 Drawing Sheets



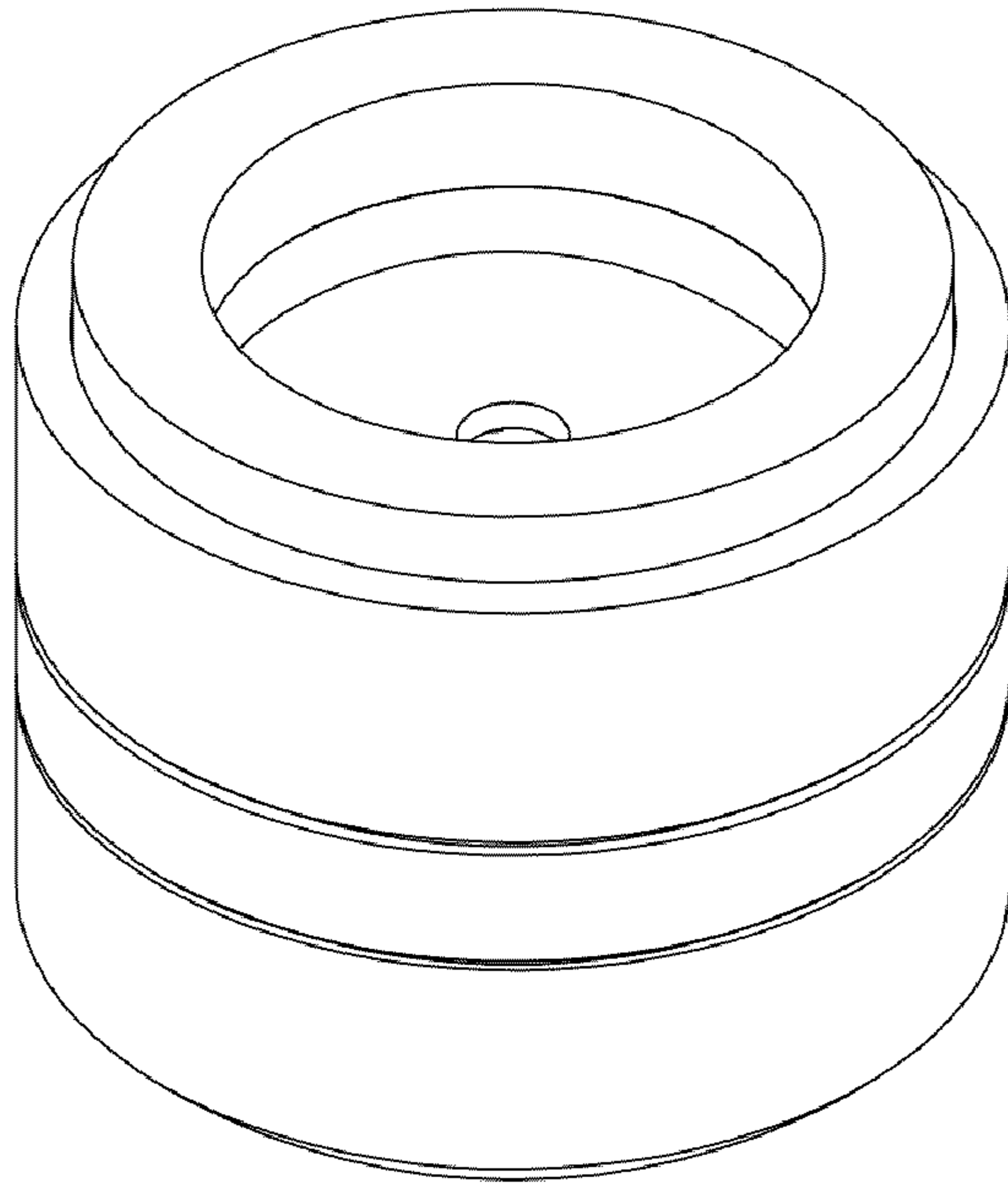


FIG. 1

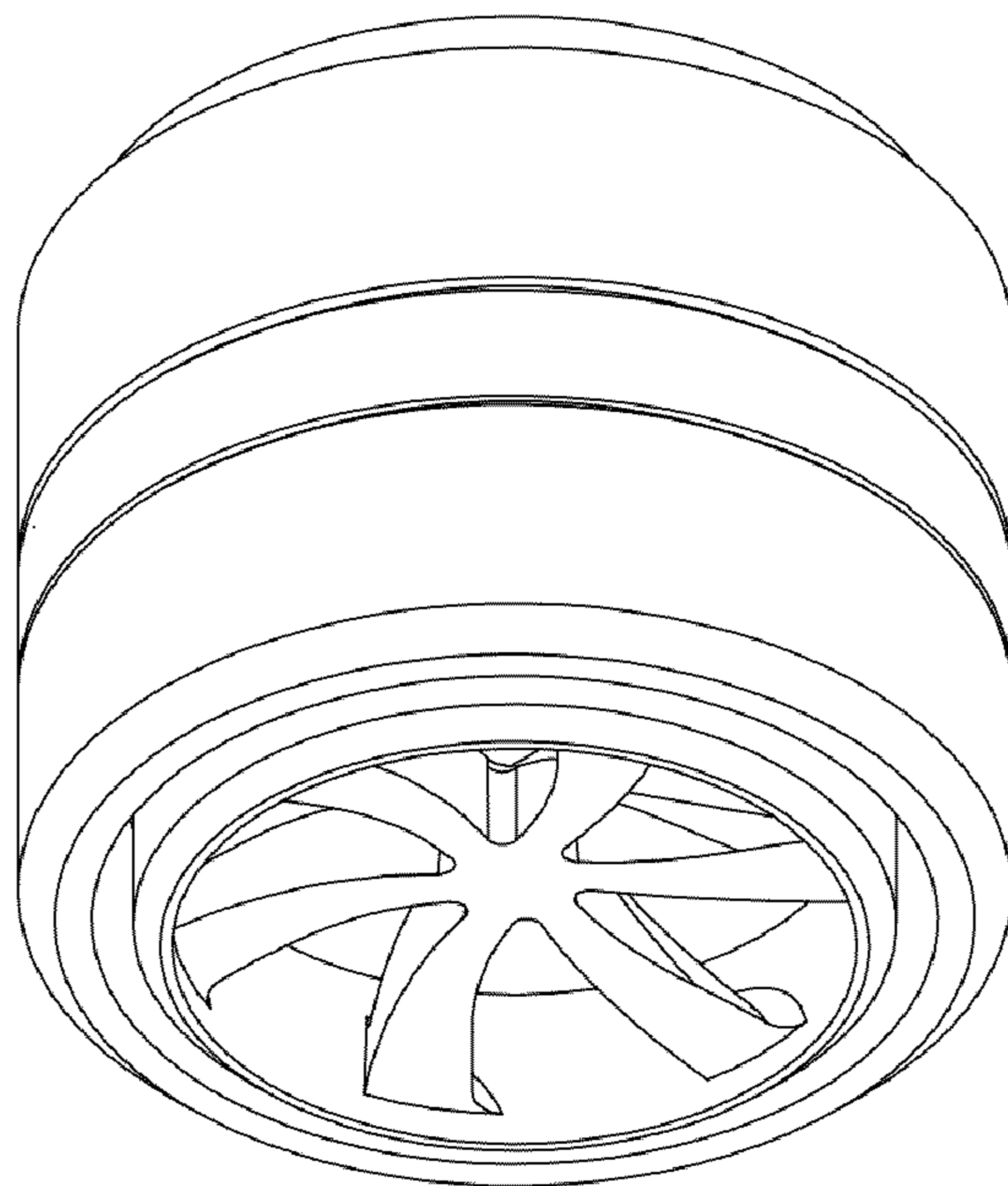


FIG. 2

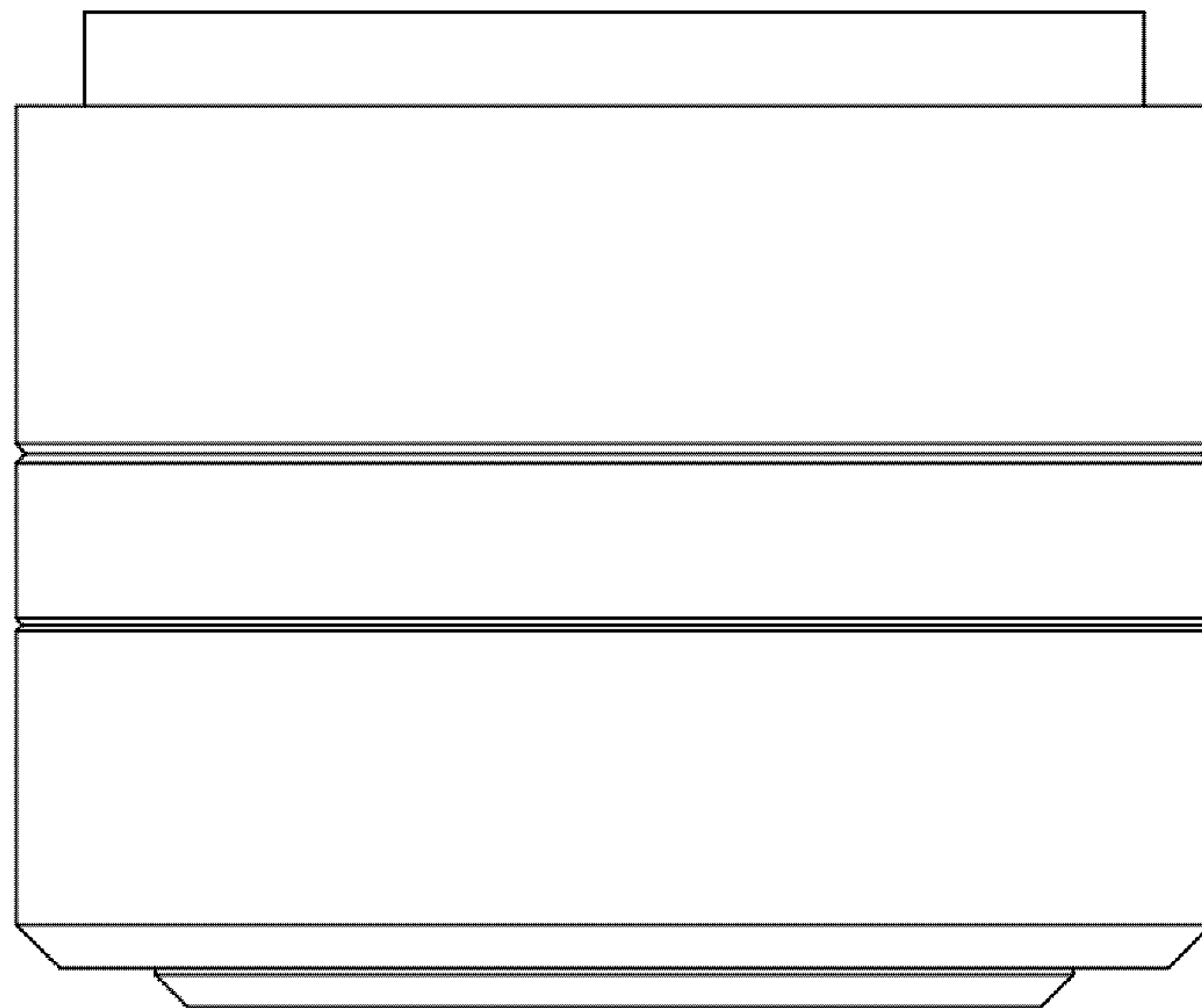


FIG. 3

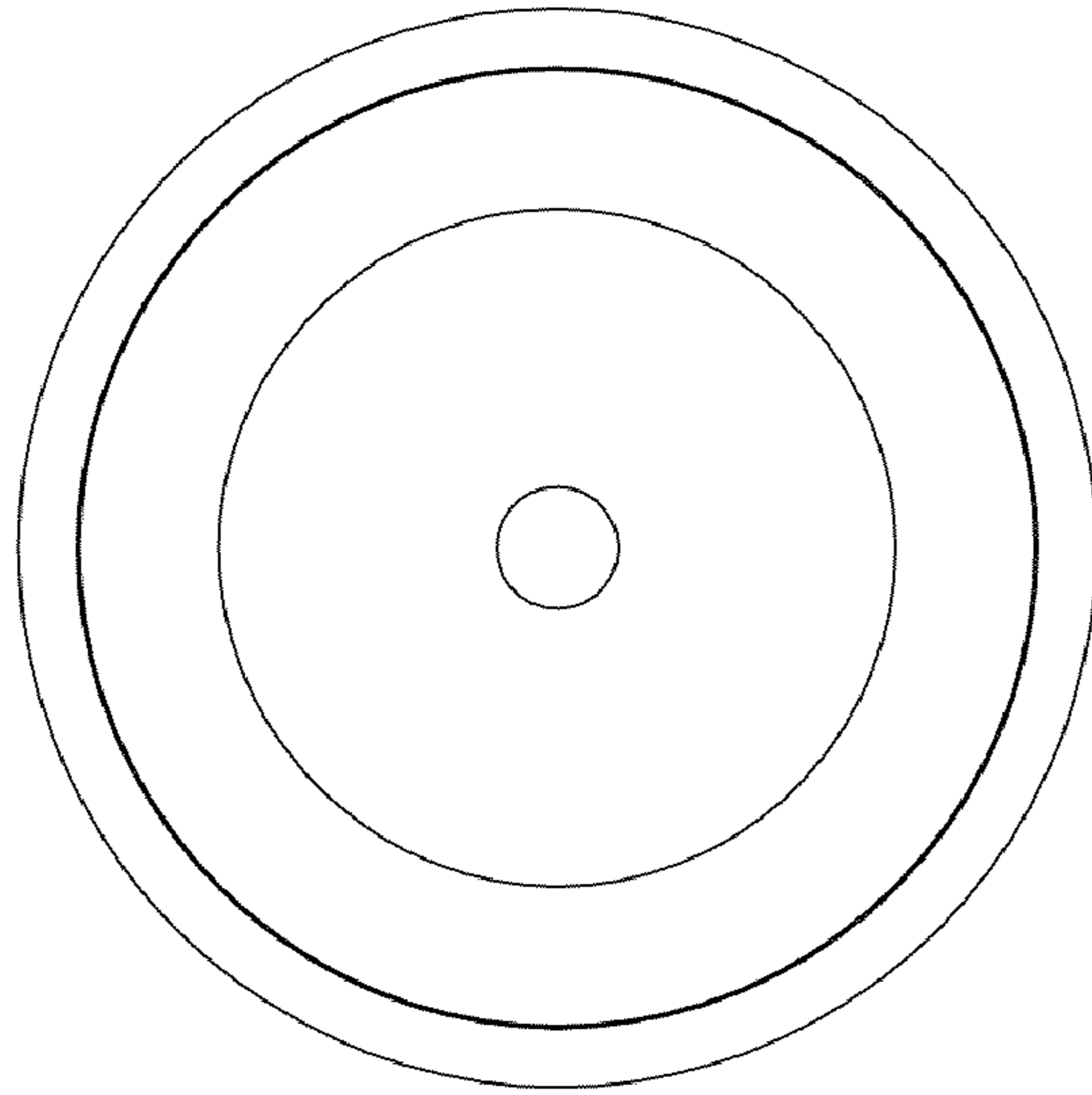


FIG. 4

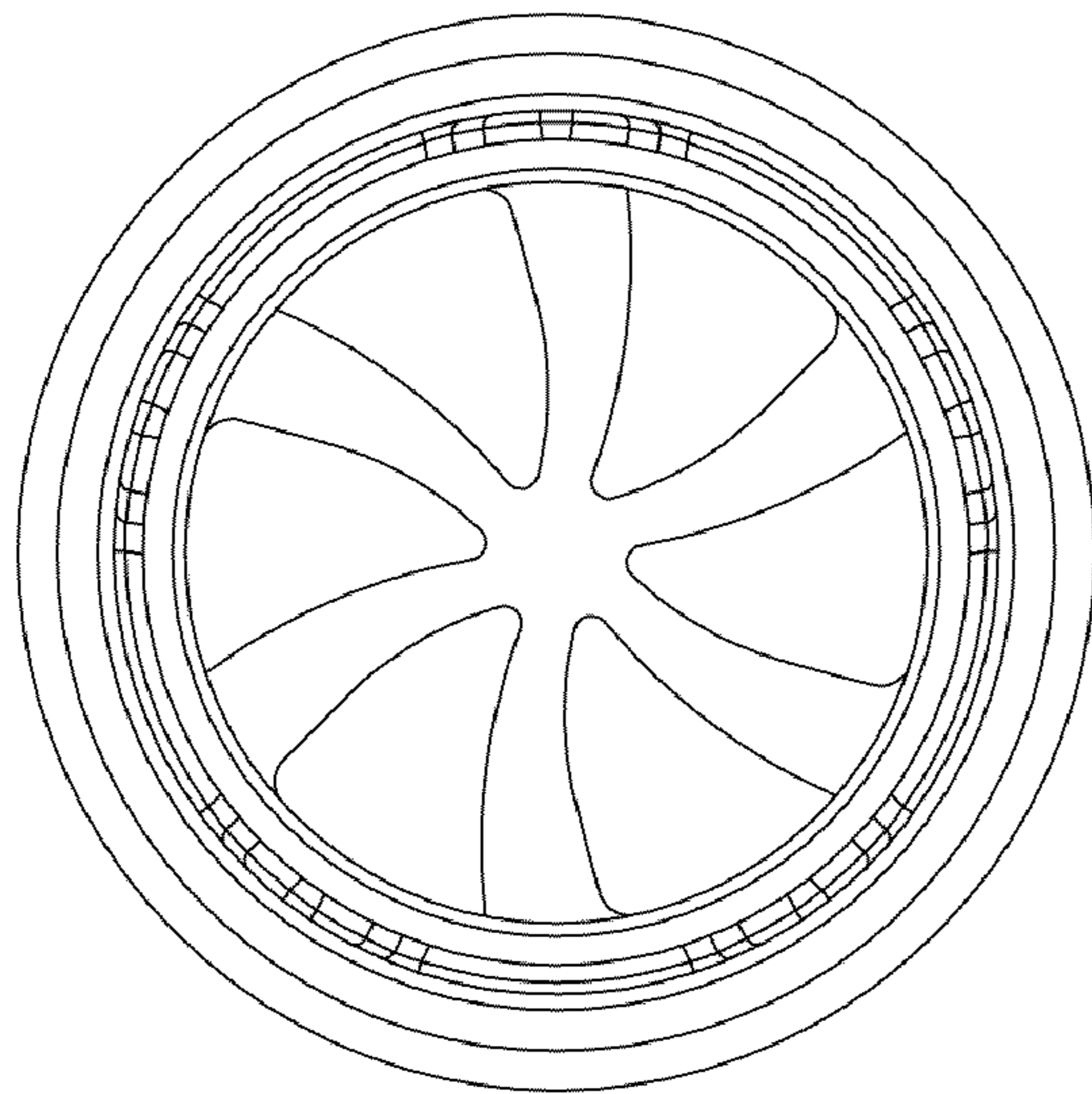


FIG. 5