



US00D674877S

(12) **United States Design Patent**
Jones et al.

(10) **Patent No.:** **US D674,877 S**

(45) **Date of Patent:** **** Jan. 22, 2013**

(54) **SWIVEL AERATOR**

(75) Inventors: **Chad H. Jones**, Frisco, TX (US); **Justin D. Pendleton**, The Colony, TX (US)

(73) Assignee: **Danco, Inc.**, Irving, TX (US)

(**) Term: **14 Years**

(21) Appl. No.: **29/420,676**

(22) Filed: **May 11, 2012**

(51) **LOC (9) Cl.** **23-01**

(52) **U.S. Cl.** **D23/213**

(58) **Field of Classification Search** D23/213,
D23/249; 239/428.5, 437; 261/DIG. 22
See application file for complete search history.

(56) **References Cited**

U.S. PATENT DOCUMENTS

D191,975 S *	12/1961	Lehman	D23/213
D195,324 S *	5/1963	Gloor	D23/213
D231,929 S *	6/1974	Ranson	D23/213
D322,837 S *	12/1991	Woodruff	D23/213

D529,140 S *	9/2006	Grether	D23/249
D539,872 S *	4/2007	Grether	D23/249
D641,834 S *	7/2011	Blum	D23/249

* cited by examiner

Primary Examiner — Robin V Webster

(74) *Attorney, Agent, or Firm* — Ross Barnes LLP; Monty L Ross; Robin L Barnes

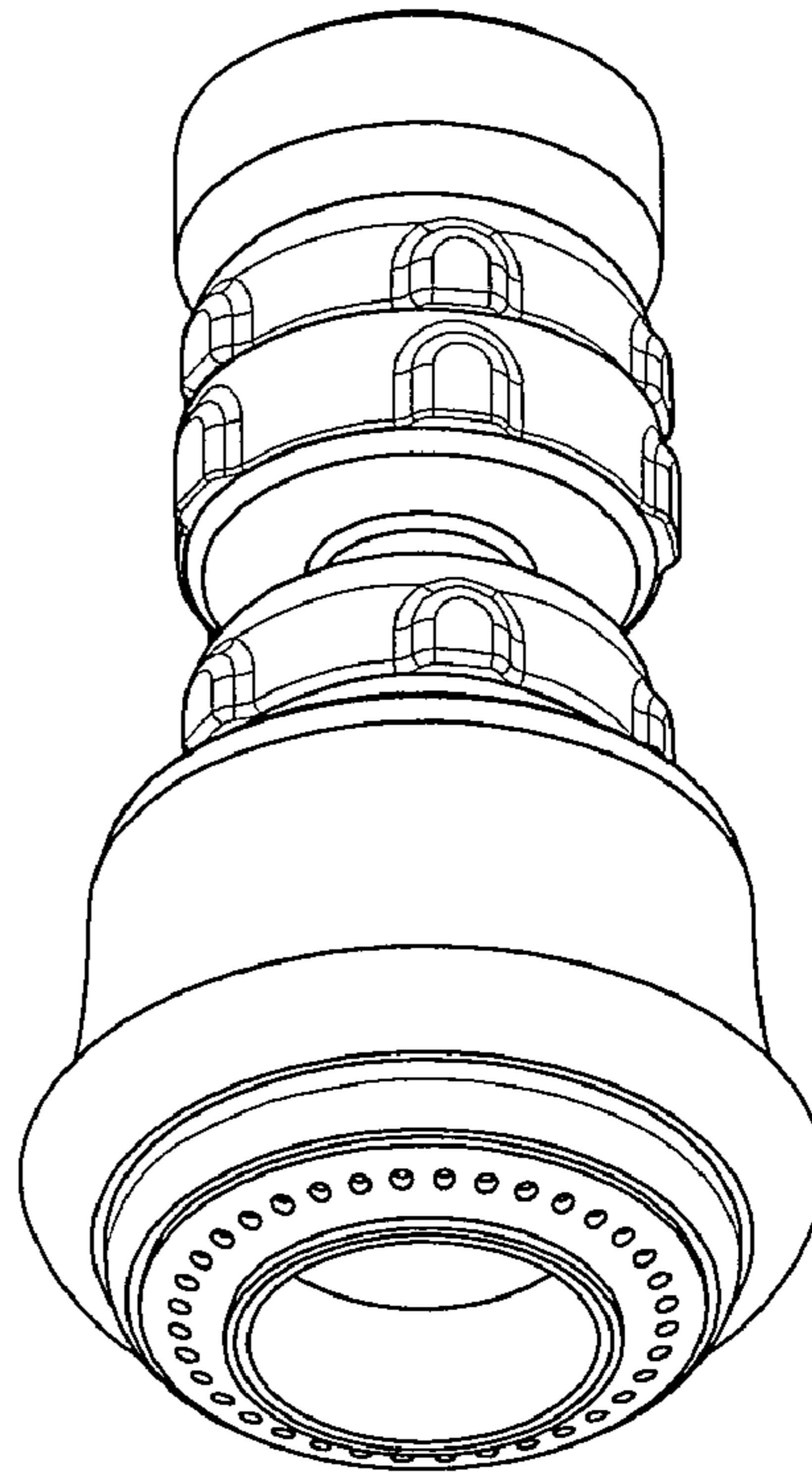
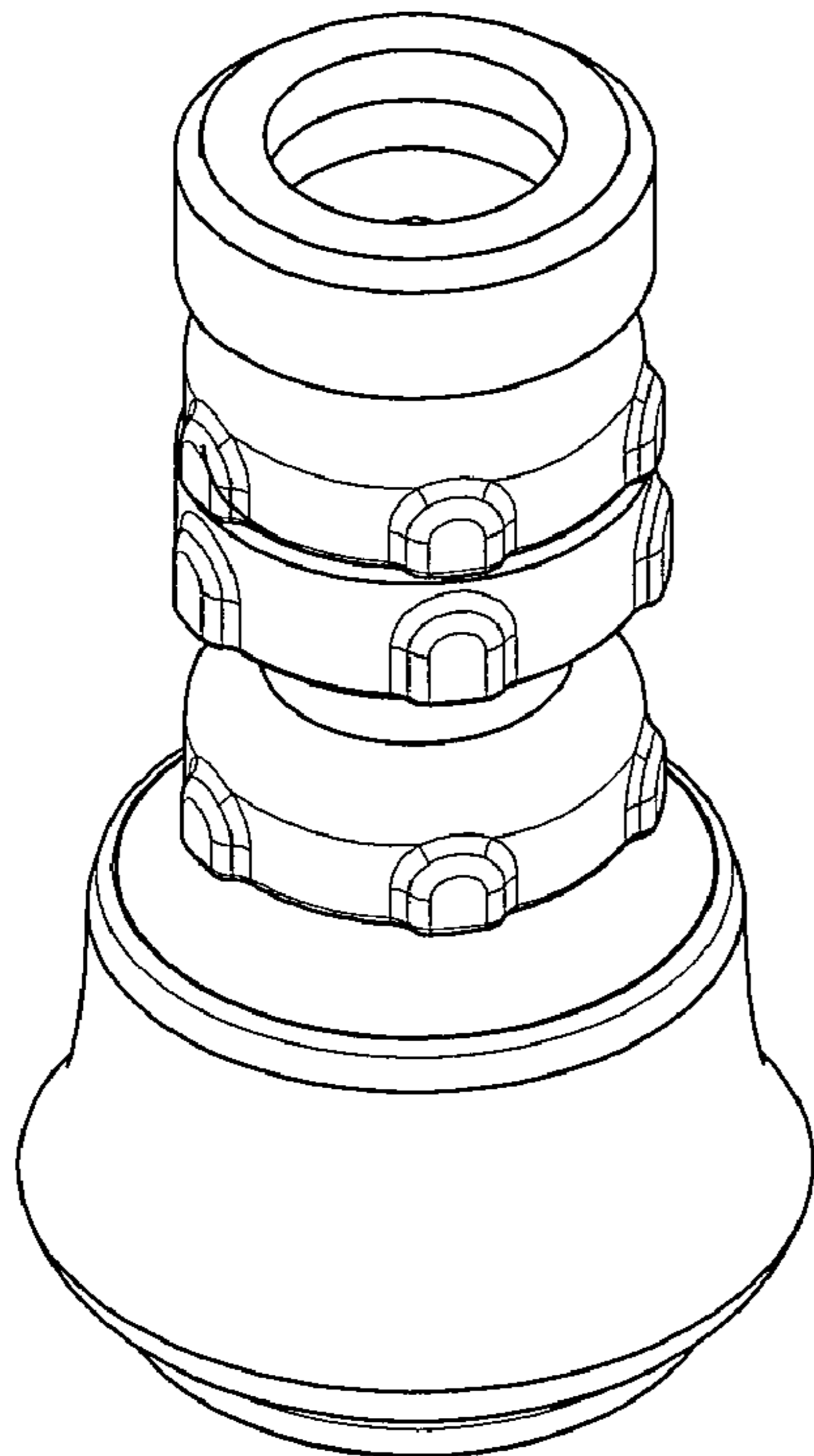
(57) **CLAIM**

The ornamental design for a swivel aerator, as shown and described.

DESCRIPTION

FIG. 1 is a top perspective view;
FIG. 2 is a bottom perspective view;
FIG. 3 is a left side elevation view;
FIG. 4 is a front elevation view;
FIG. 5 is a right side elevation view;
FIG. 6 is a top plan view; and,
FIG. 7 is a bottom plan view.
The rear elevation view is the same as the front elevation views.

1 Claim, 3 Drawing Sheets



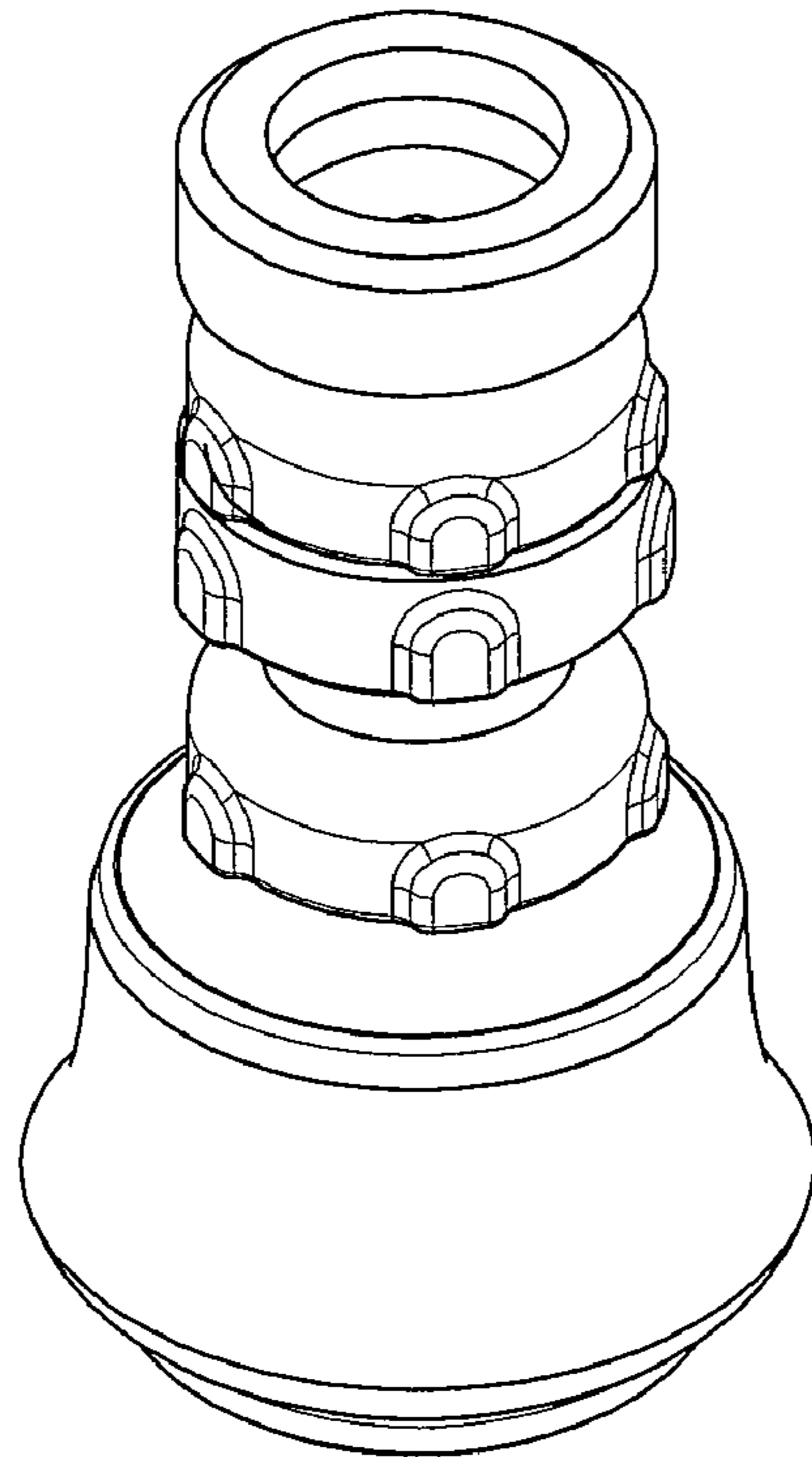


FIG. 1

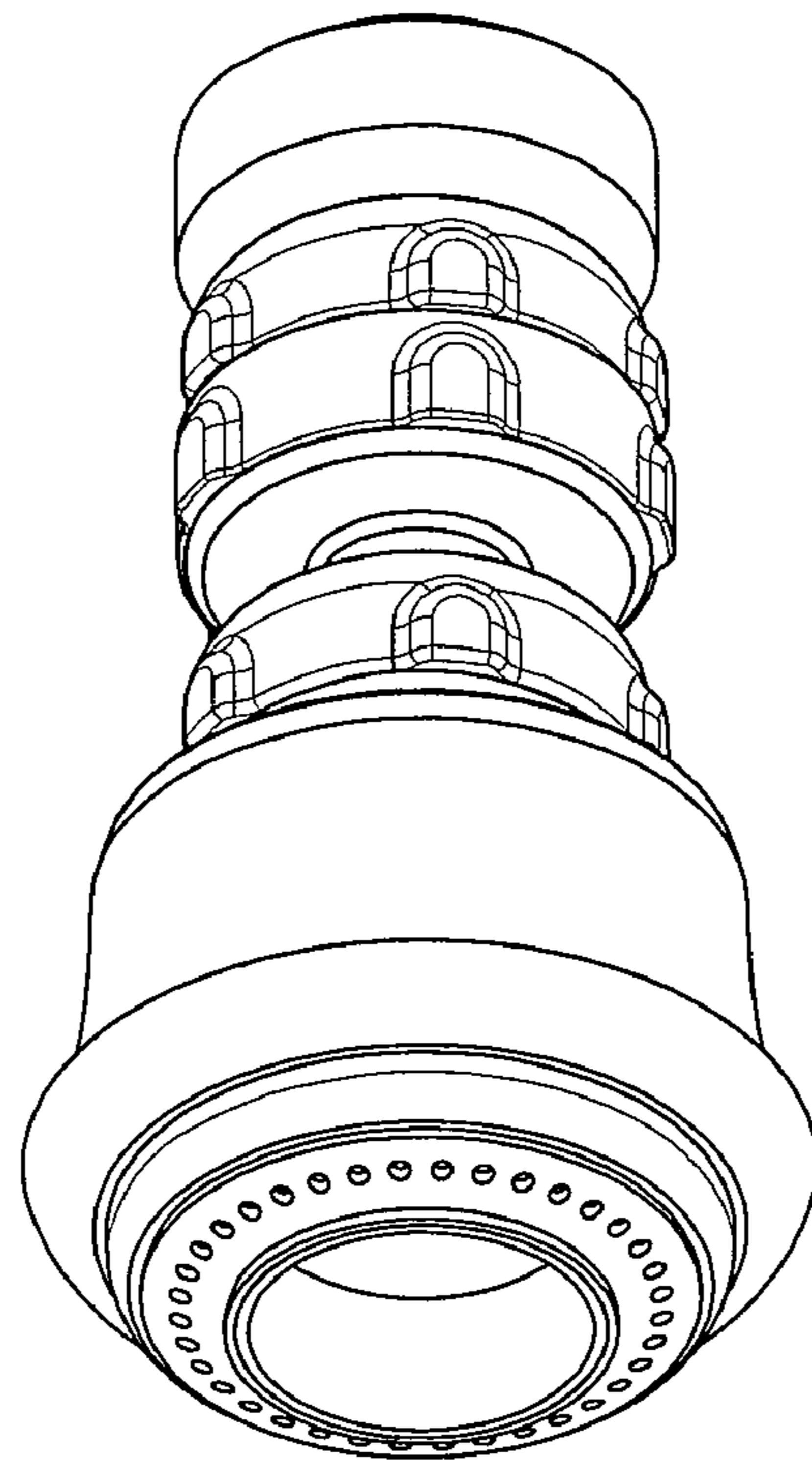


FIG. 2

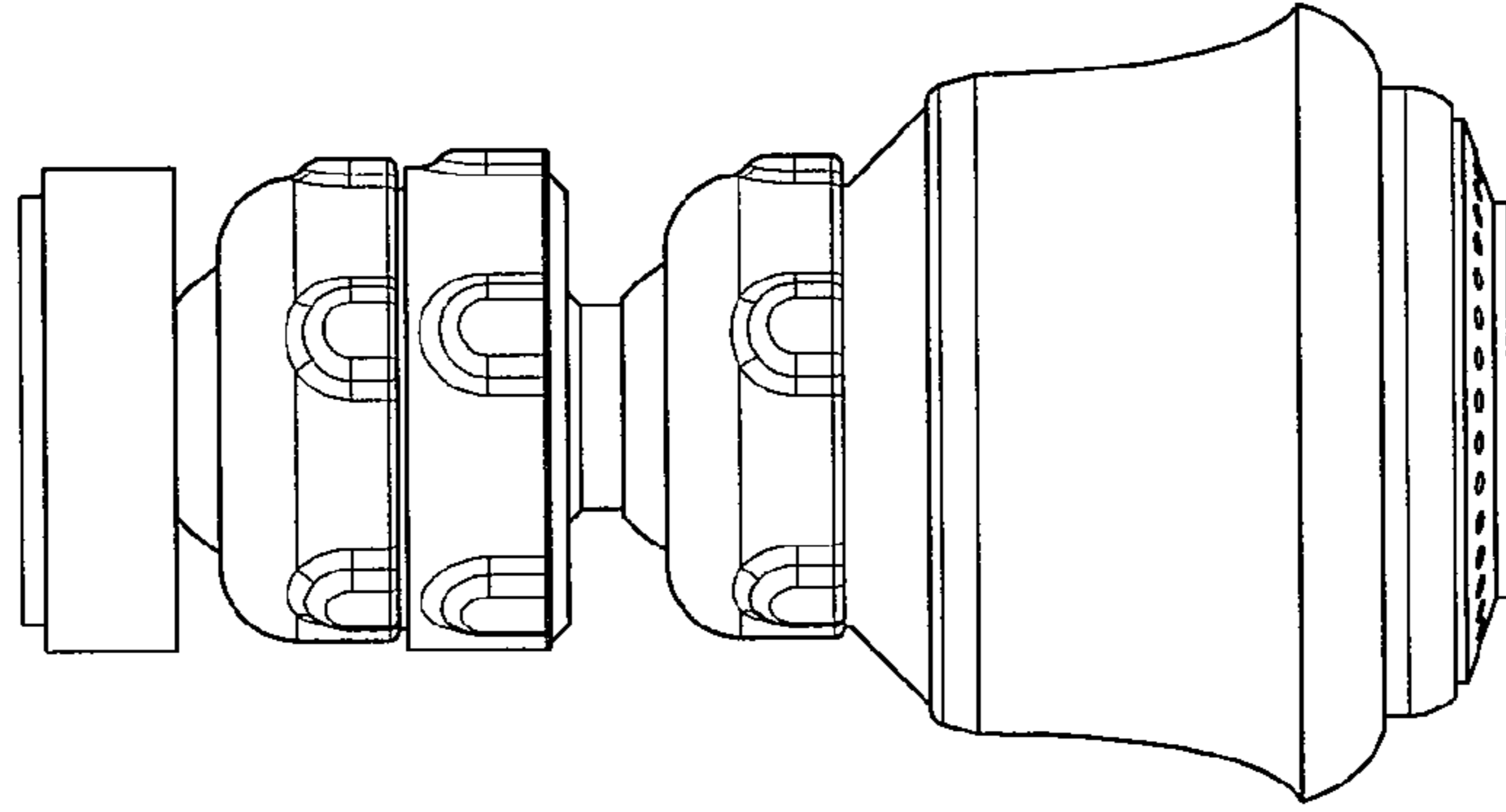


FIG. 3

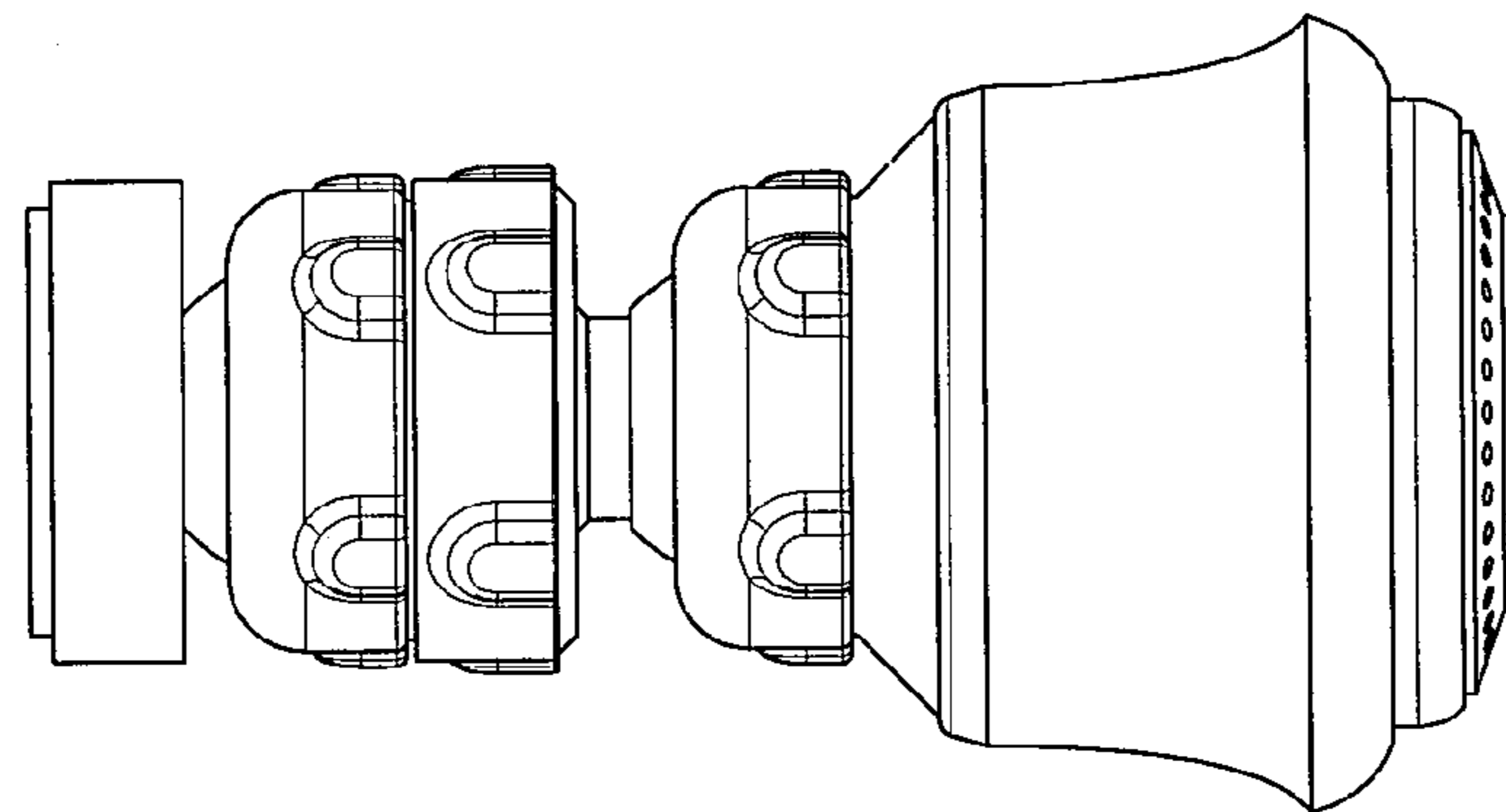


FIG. 4

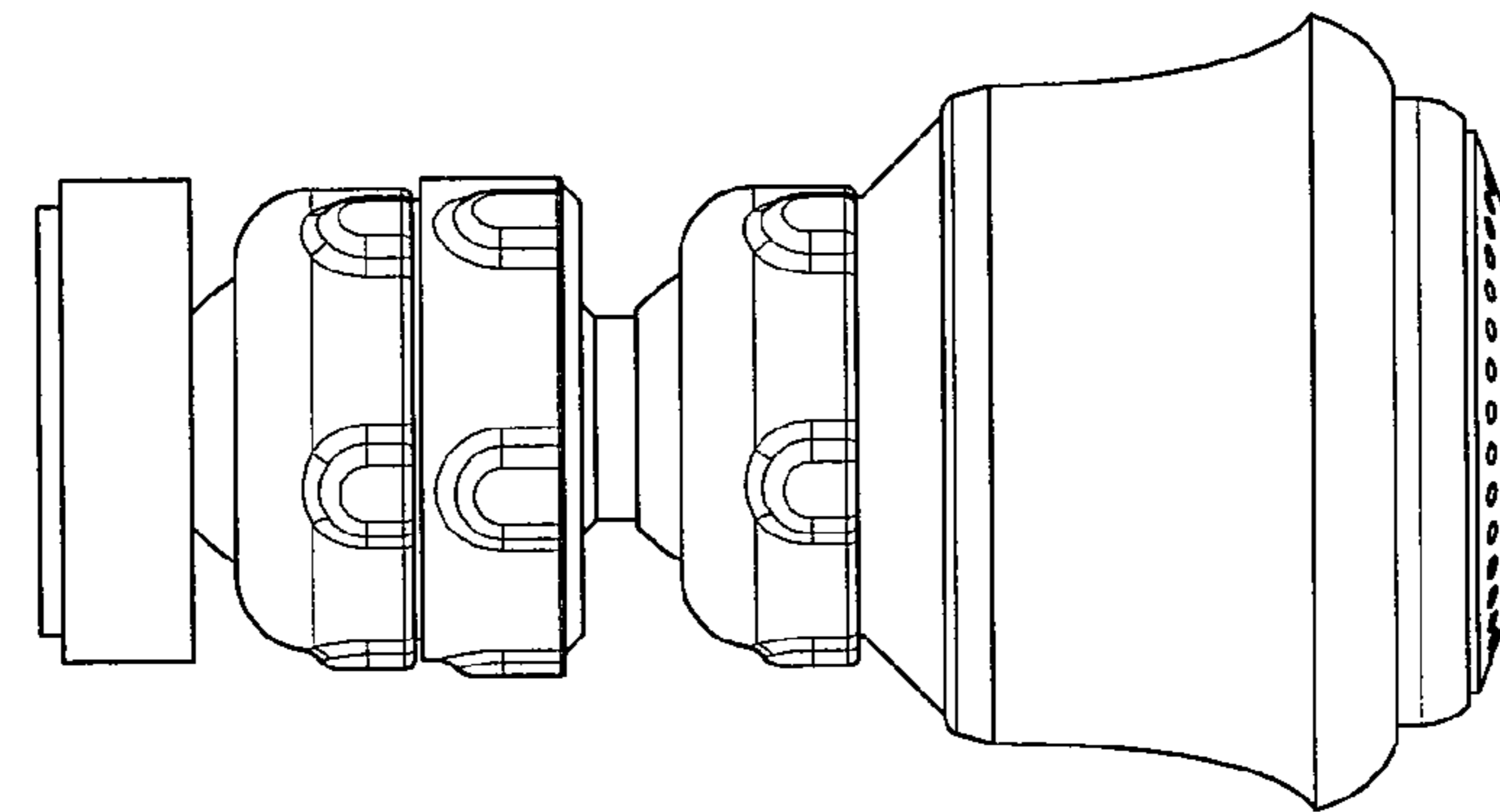


FIG. 5

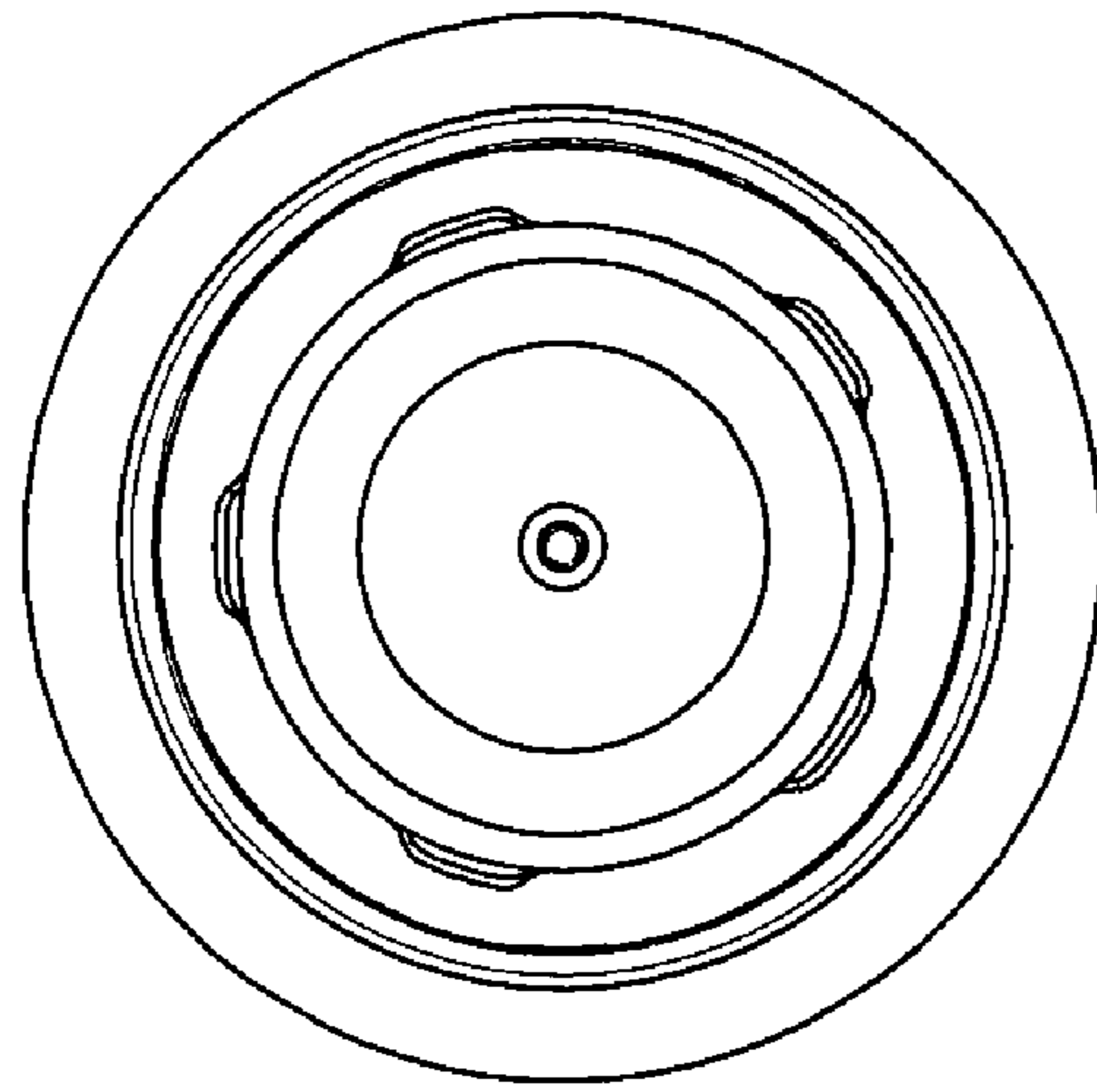


FIG. 6

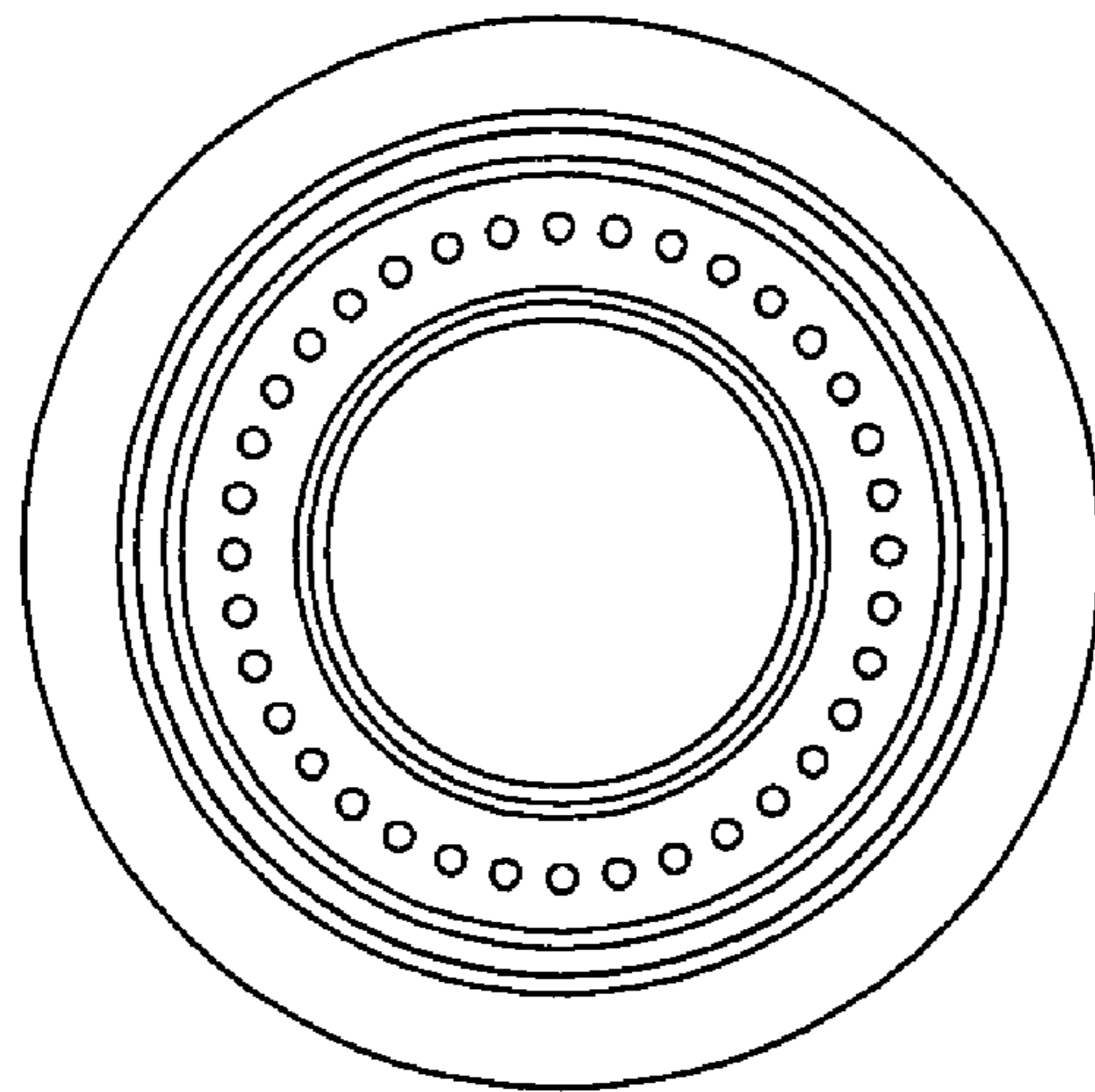


FIG. 7