



US00D674875S

(12) **United States Design Patent**
Spangler

(10) **Patent No.:** **US D674,875 S**

(45) **Date of Patent:** **** Jan. 22, 2013**

(54) **SHOWERHEAD**

(75) Inventor: **Anthony Spangler**, Indianapolis, IN (US)

(73) Assignee: **Masco Corporation of Indiana**, Indianapolis, IN (US)

(**) Term: **14 Years**

(21) Appl. No.: **29/418,010**

(22) Filed: **Apr. 11, 2012**

(51) **LOC (9) Cl.** **23-01**

(52) **U.S. Cl.** **D23/213**

(58) **Field of Classification Search** D23/213,
D23/223, 226, 229, 230, 228; 4/615; 239/282-283,
239/462

See application file for complete search history.

(56) **References Cited**

U.S. PATENT DOCUMENTS

D509,562 S * 9/2005 Kobi et al. D23/213
D559,945 S * 1/2008 Patterson et al. D23/213

* cited by examiner

Primary Examiner — Robin V Webster

(74) *Attorney, Agent, or Firm* — Edgar A. Zarins; Nirav D. Parikh; Lora J. Graentzdoerffer

(57) **CLAIM**

The ornamental design for a showerhead, as shown and described.

DESCRIPTION

FIG. 1 is a perspective view of a showerhead showing my new design;

FIG. 2 is a rear view thereof;

FIG. 3 is a first side view thereof;

FIG. 4 is a second view thereof;

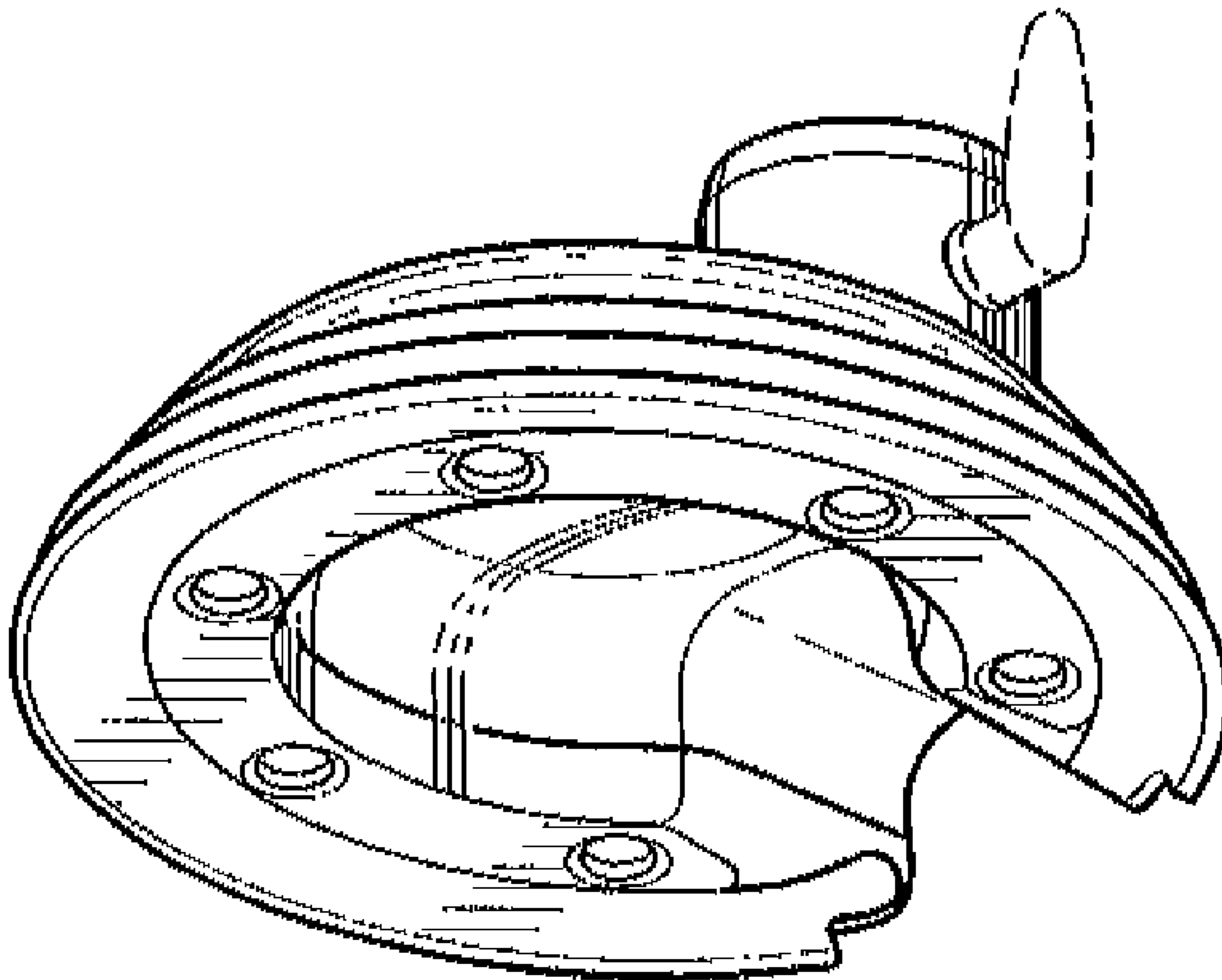
FIG. 5 is a top plan view thereof;

FIG. 6 is a bottom view thereof; and,

FIG. 7 is a front view thereof.

The broken line showing in FIGS. 1-7 is included for the purpose of illustrating and forms no part of the claimed design.

1 Claim, 1 Drawing Sheet



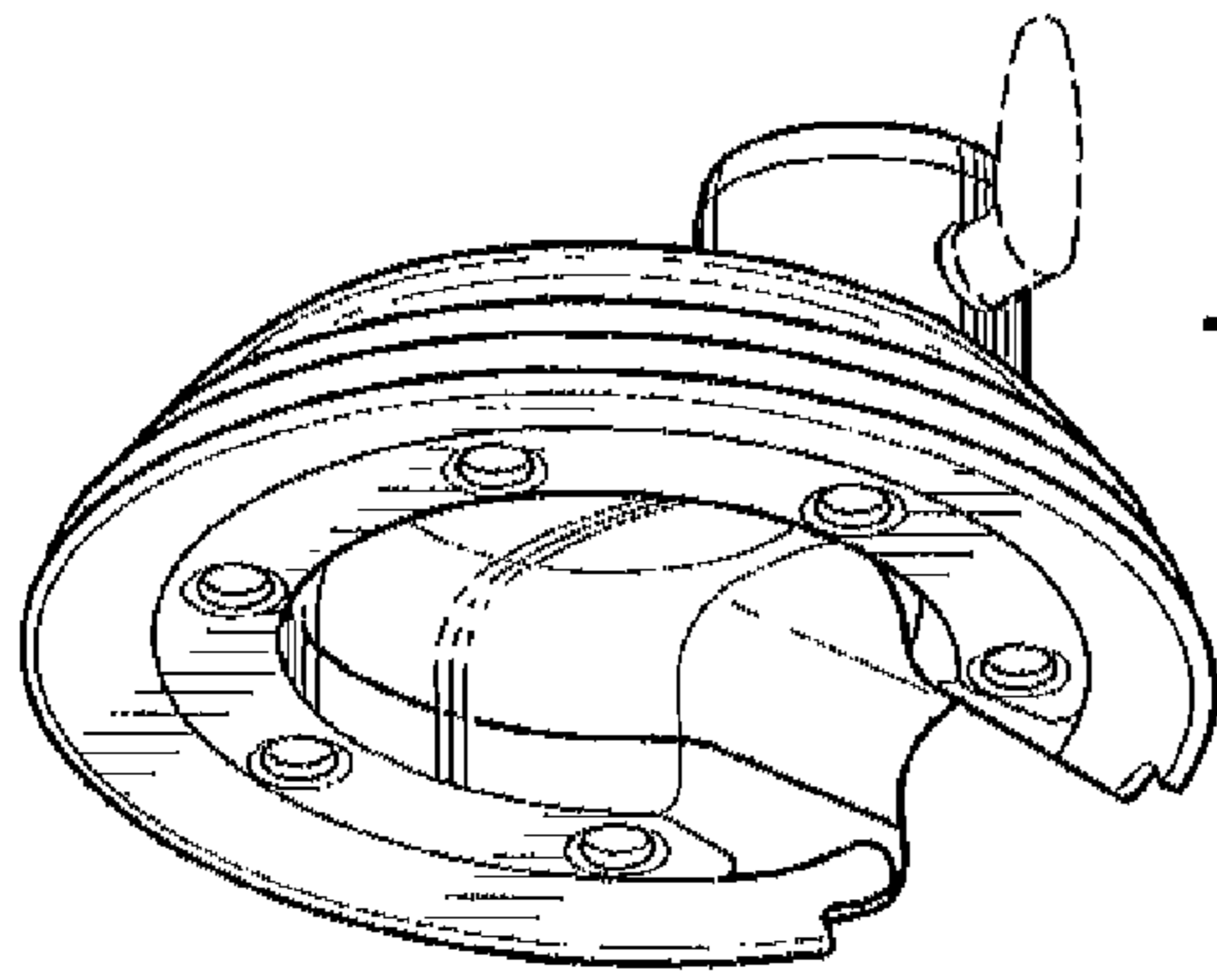


Fig-1

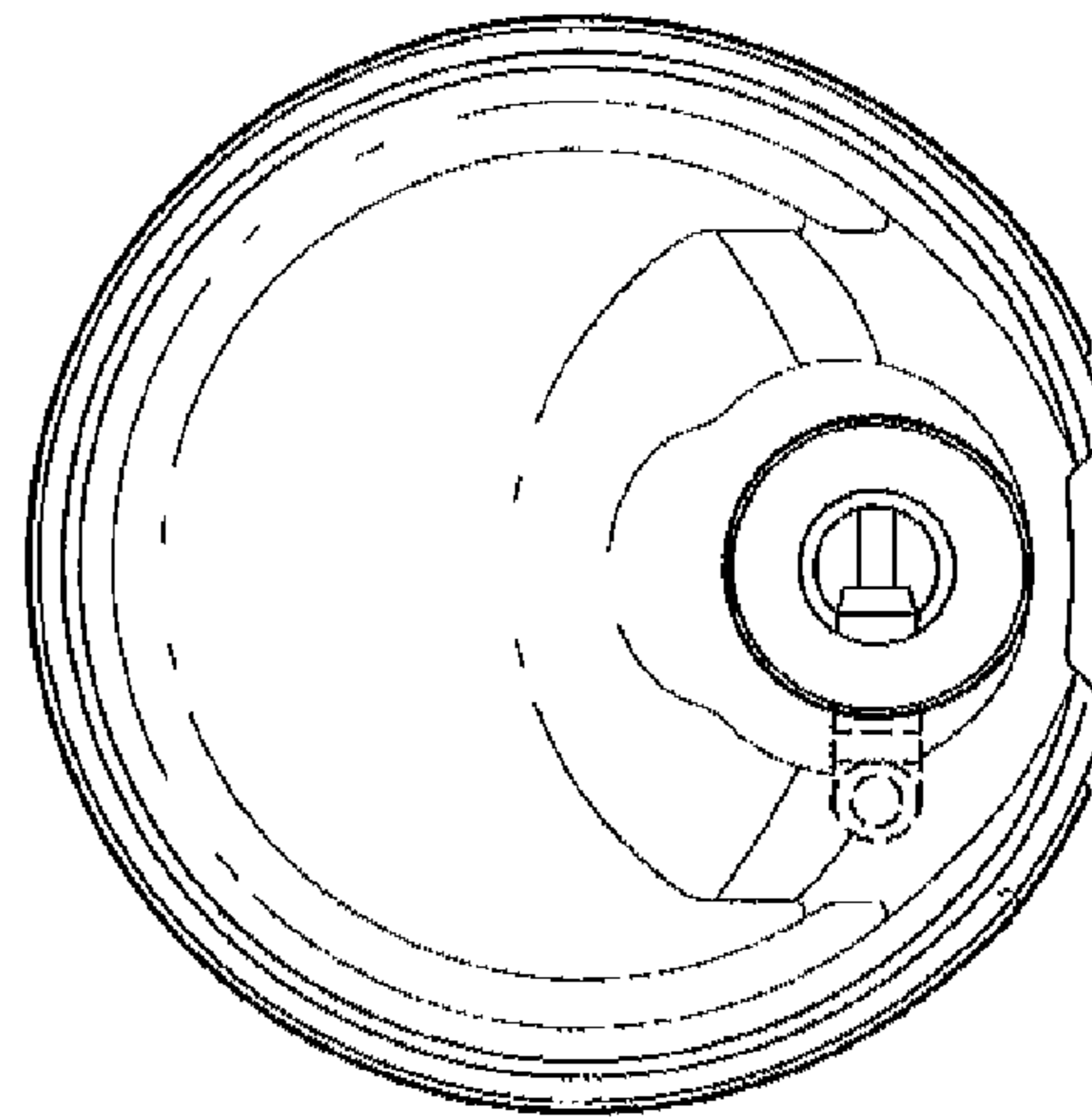


Fig-2

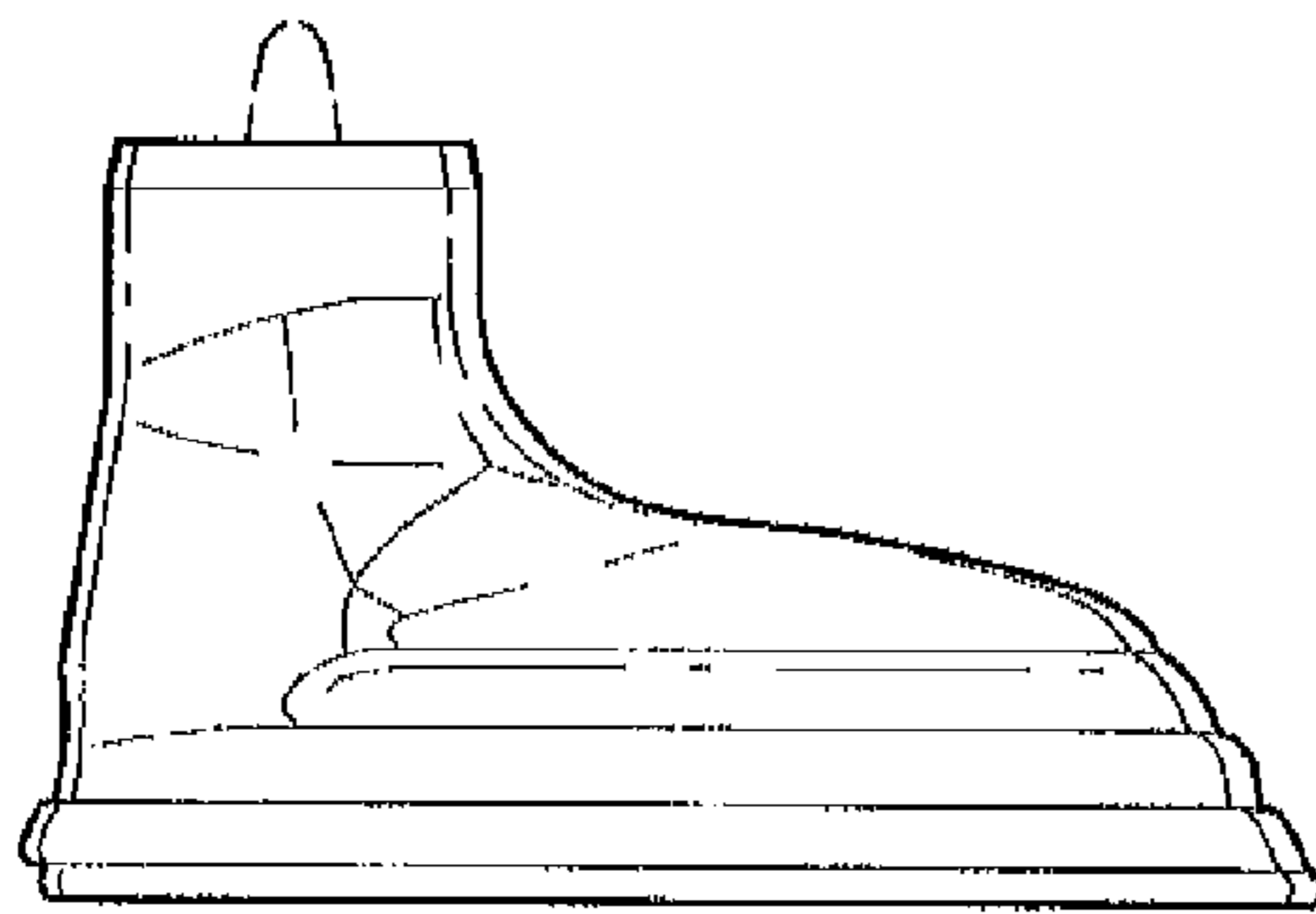


Fig-3

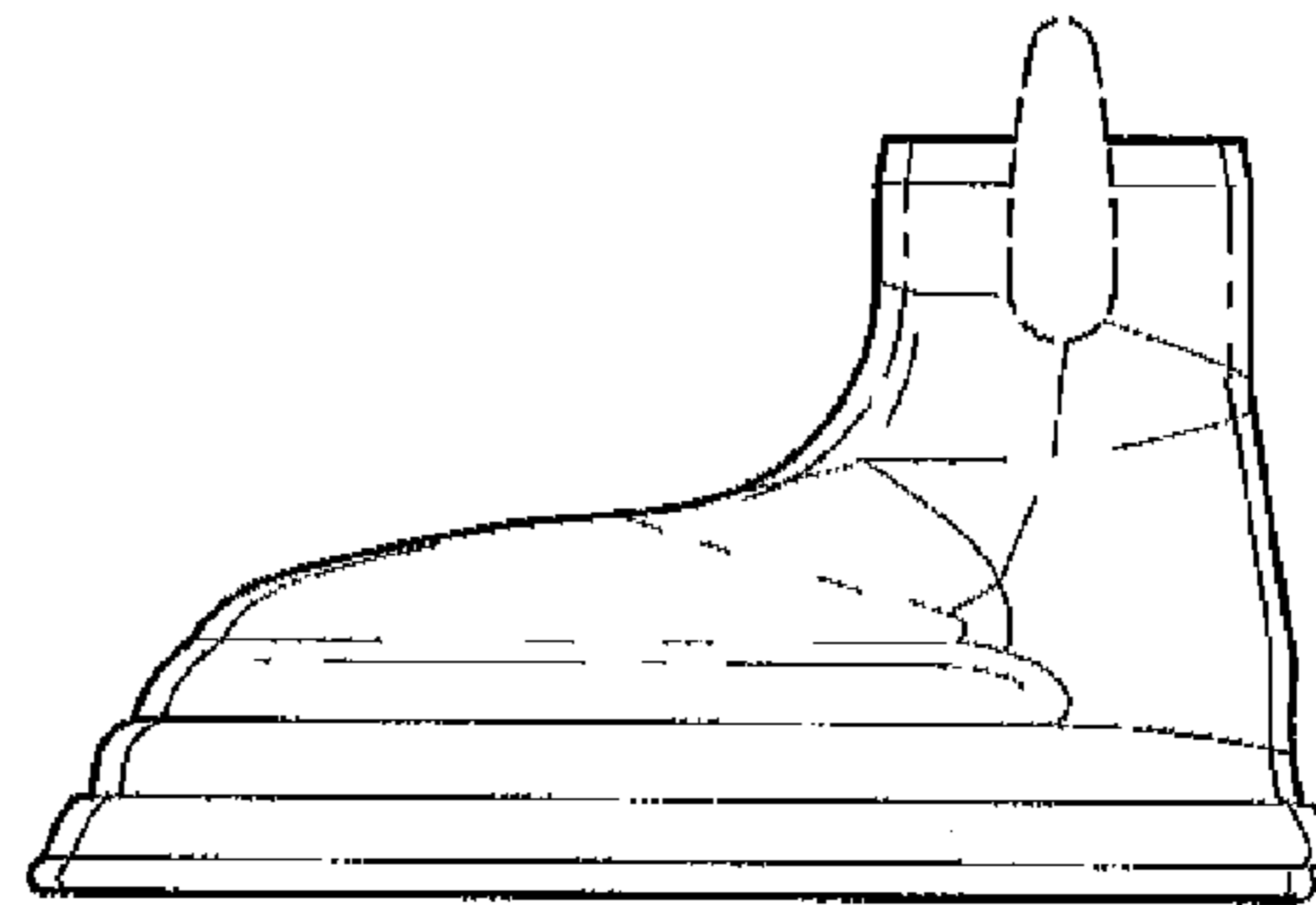


Fig-4

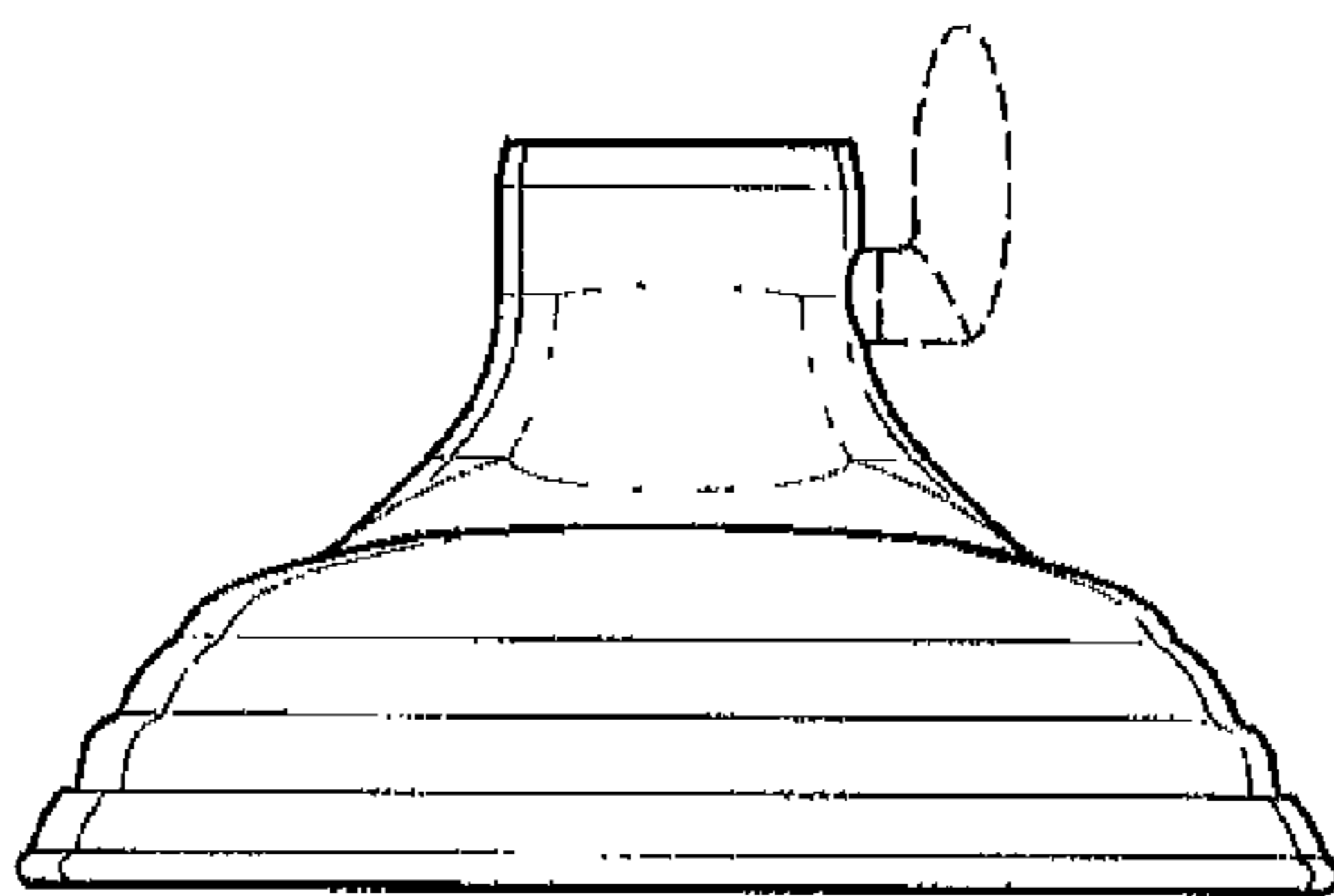


Fig-5

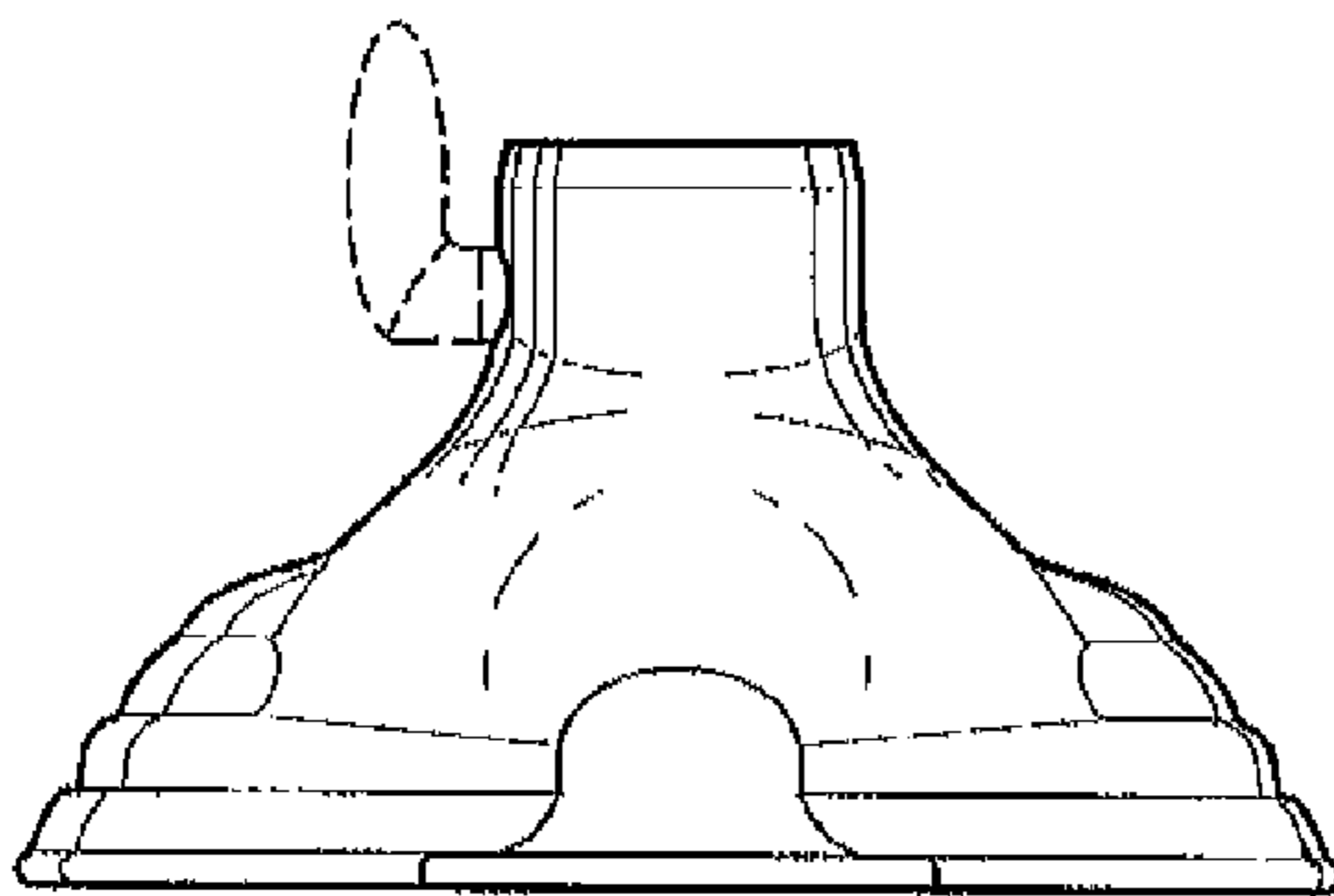


Fig-6

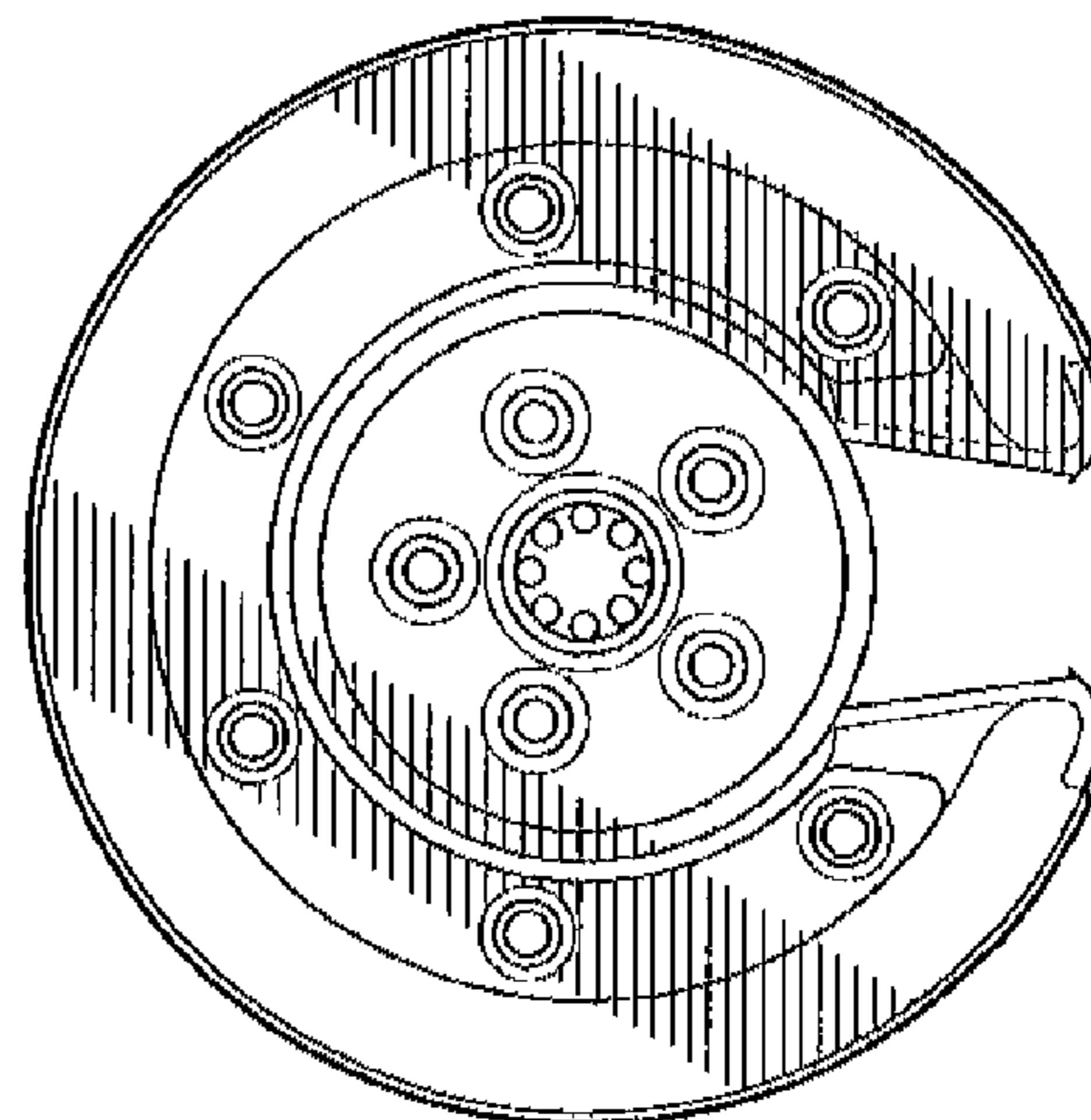


Fig-7