



US00D674874S

(12) **United States Design Patent**
Mueller et al.

(10) **Patent No.:** **US D674,874 S**
(45) **Date of Patent:** **** Jan. 22, 2013**

(54) **WATER CONDITIONER**

Primary Examiner — Robin V Webster

(75) Inventors: **Alexander Mueller**, Fuerth (DE);
Sebastian Maier, Fuerth (DE)

(74) *Attorney, Agent, or Firm* — Gerald E. Hespos; Michael J. Porco

(73) Assignee: **Sartorius Weighing Technology GmbH**
(DE)

(57) **CLAIM**

(**) Term: **14 Years**

The ornamental design for a water conditioner, as shown and described.

(21) Appl. No.: **29/410,020**

(22) Filed: **Jan. 3, 2012**

DESCRIPTION

(30) **Foreign Application Priority Data**

Aug. 2, 2011 (EM) 001287601-0002

(51) **LOC (9) Cl.** **23-01**

(52) **U.S. Cl.** **D23/207**

(58) **Field of Classification Search** D23/207-209;
210/435, 241, 266

See application file for complete search history.

FIG. 1 is a front perspective view of a water conditioner showing the new design;

FIG. 2 is a rear perspective view thereof;

FIG. 3 is a top view thereof;

FIG. 4 is a front elevational view thereof;

FIG. 5 is a right side view thereof;

FIG. 6 is a left side view thereof;

FIG. 7 is a rear view thereof; and,

FIG. 8 is a bottom view thereof.

The broken line showing in FIG. 8 is included for the purpose of illustrating and forms no part of the claimed design.

(56) **References Cited**

U.S. PATENT DOCUMENTS

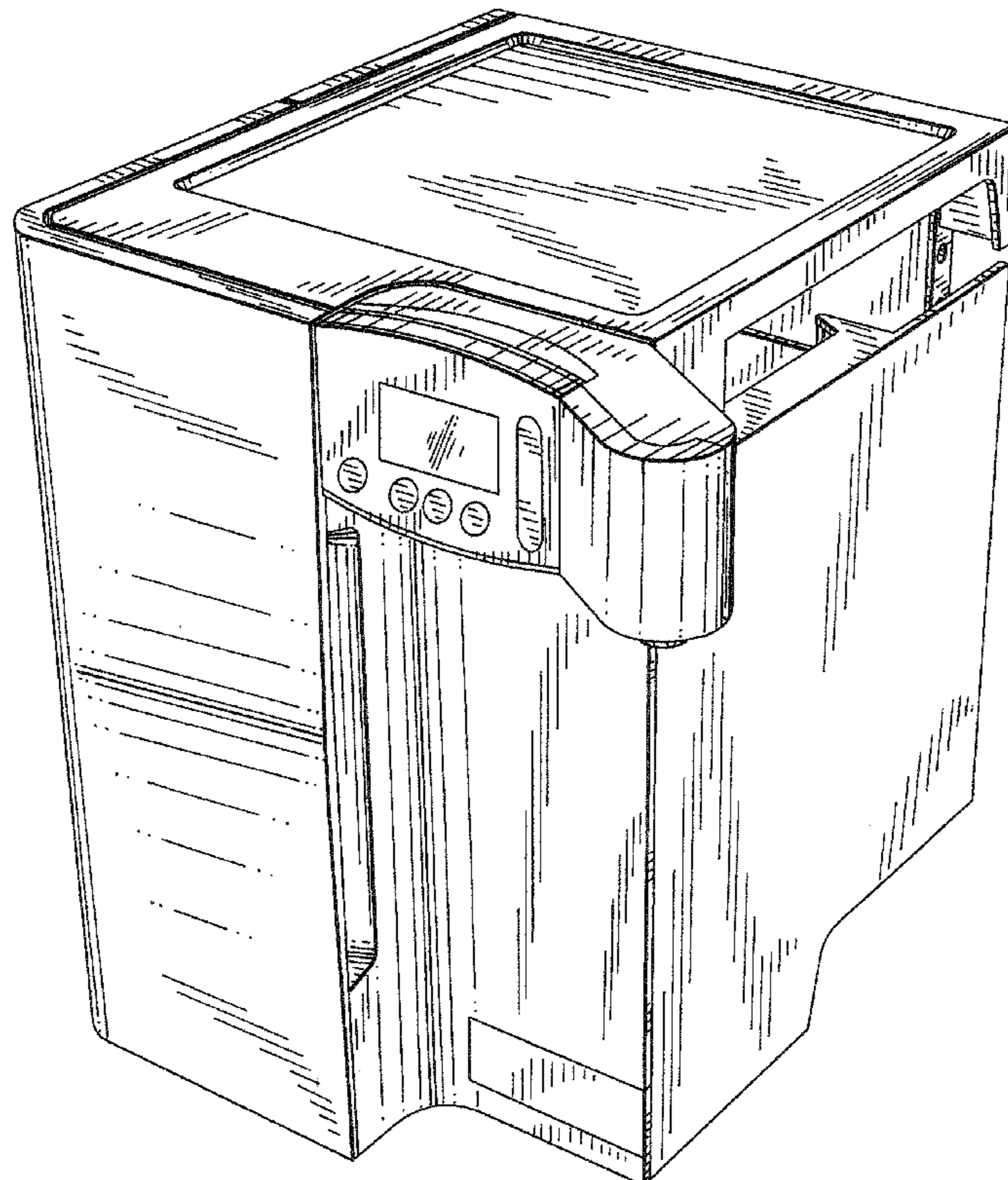
D295,656 S * 5/1988 Bond et al. D23/207

D412,550 S * 8/1999 Bell D23/207

D486,880 S * 2/2004 Garcias et al. D23/207

* cited by examiner

1 Claim, 8 Drawing Sheets



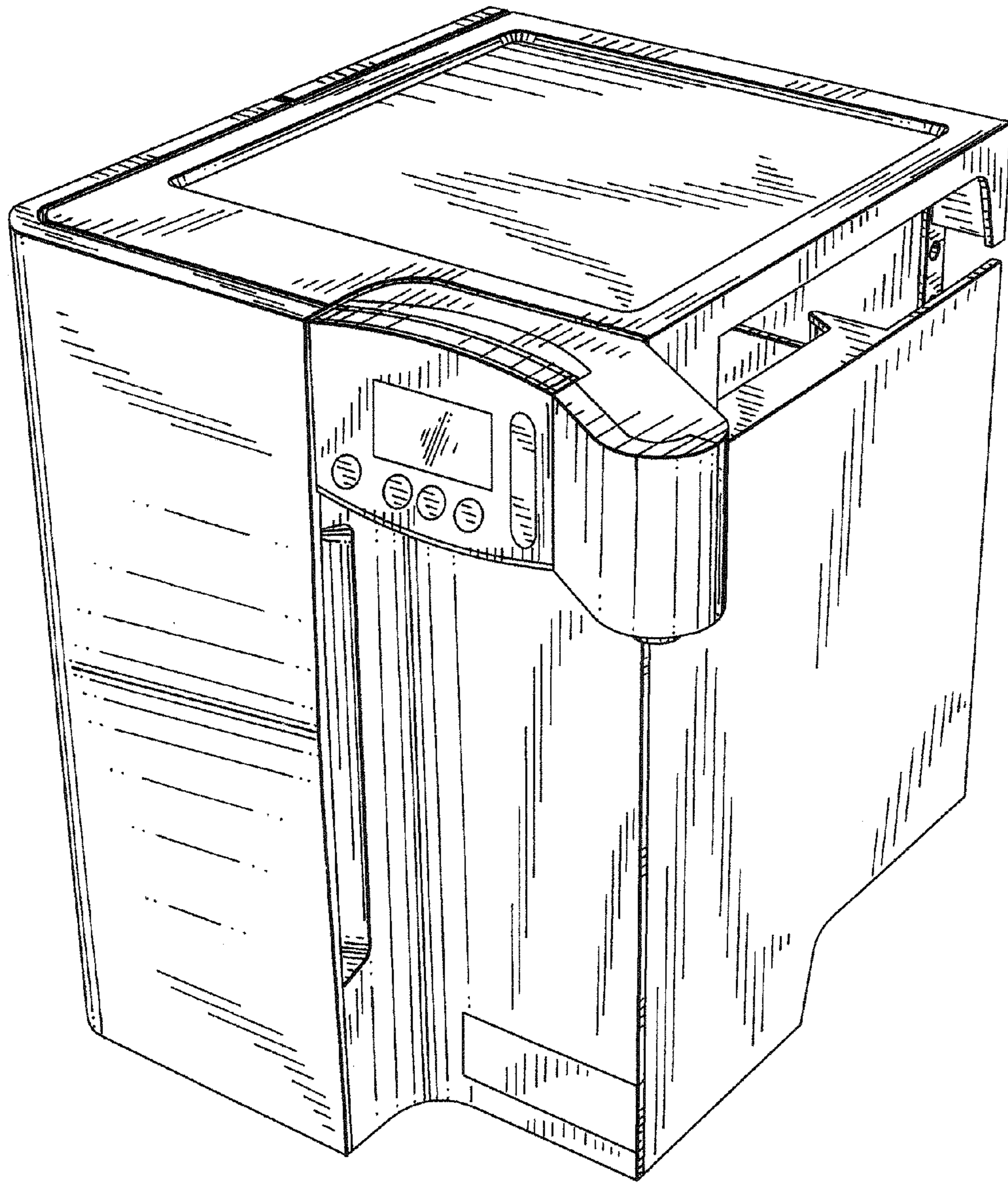


FIG. 1

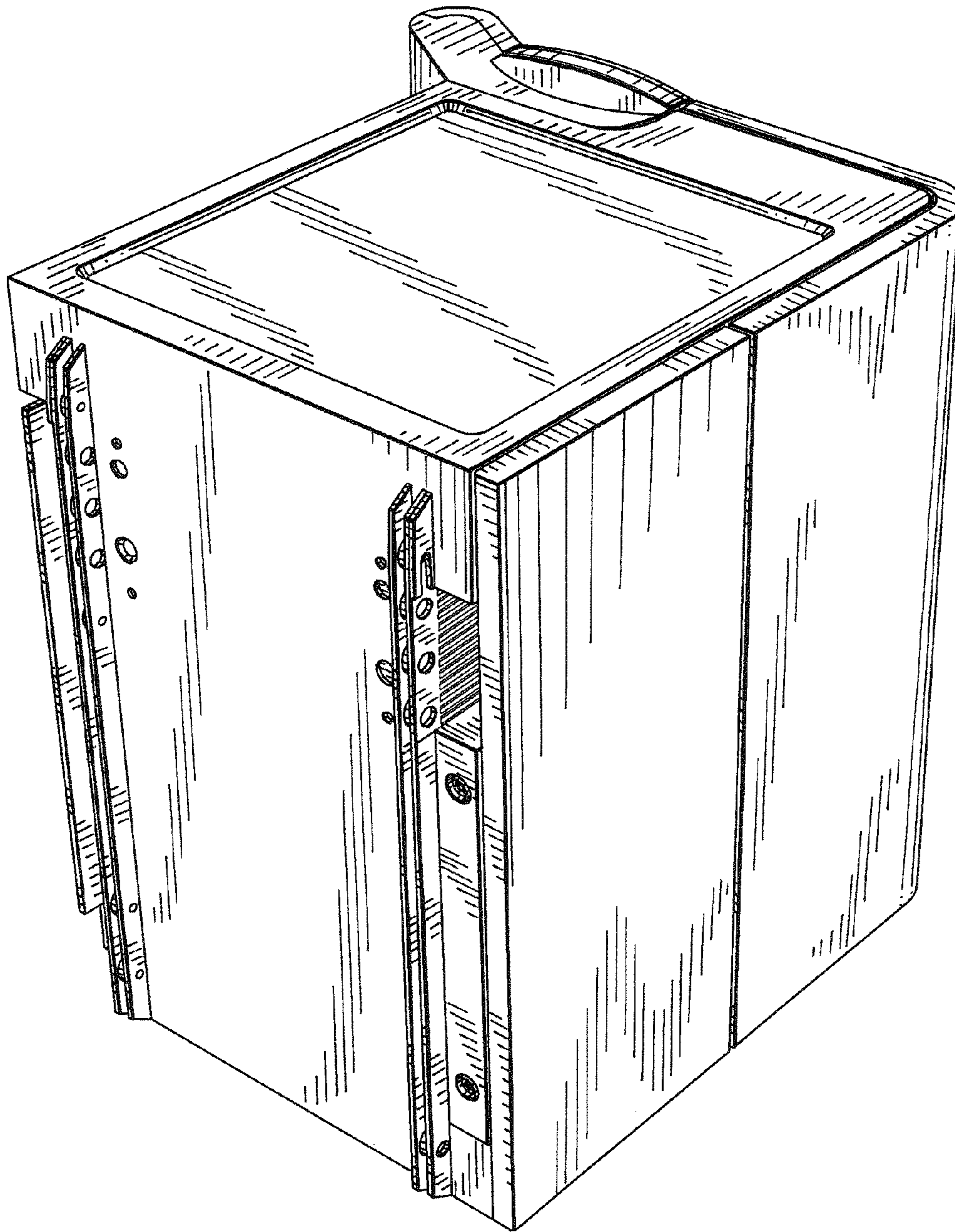


FIG.2

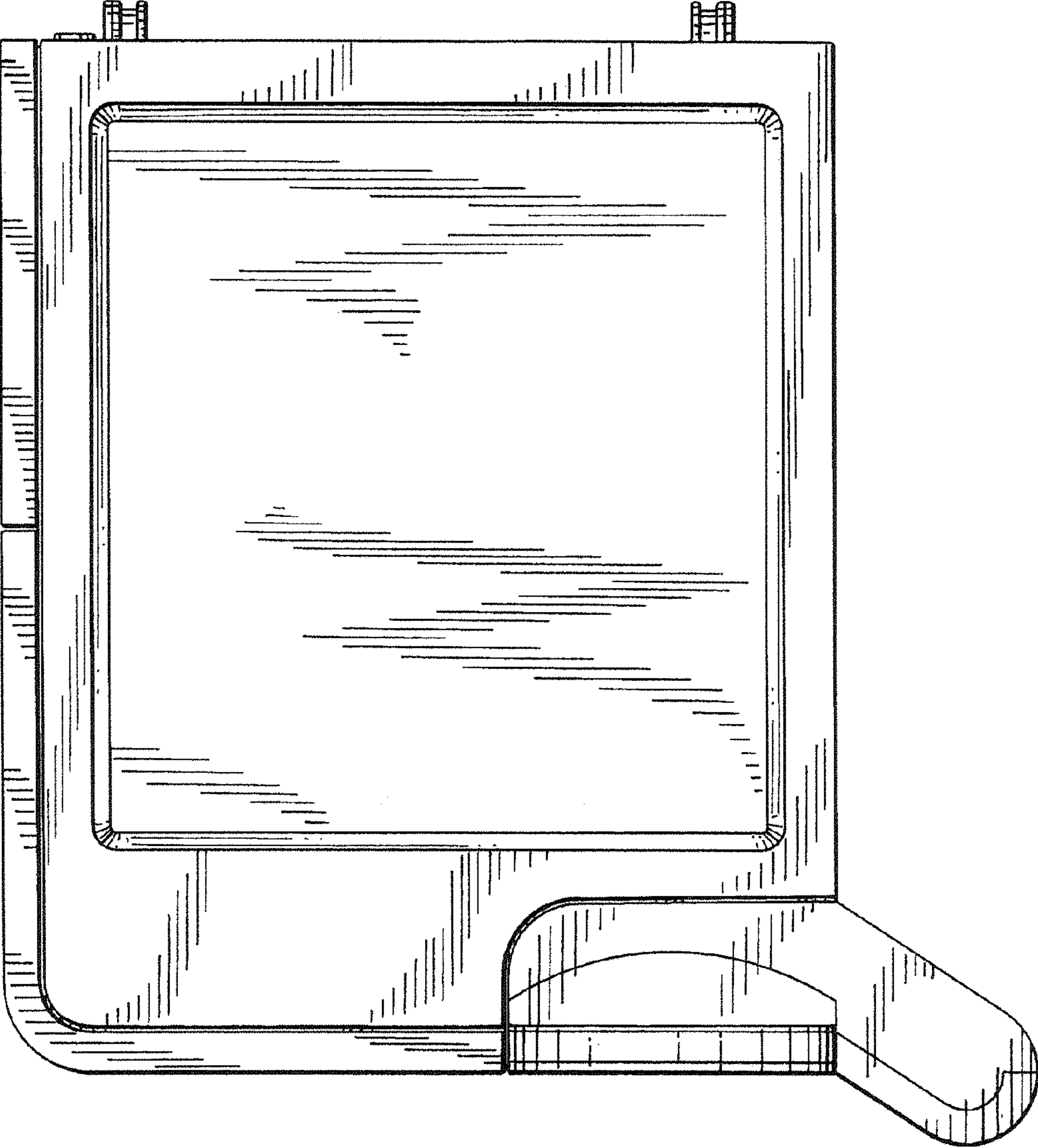


FIG.3

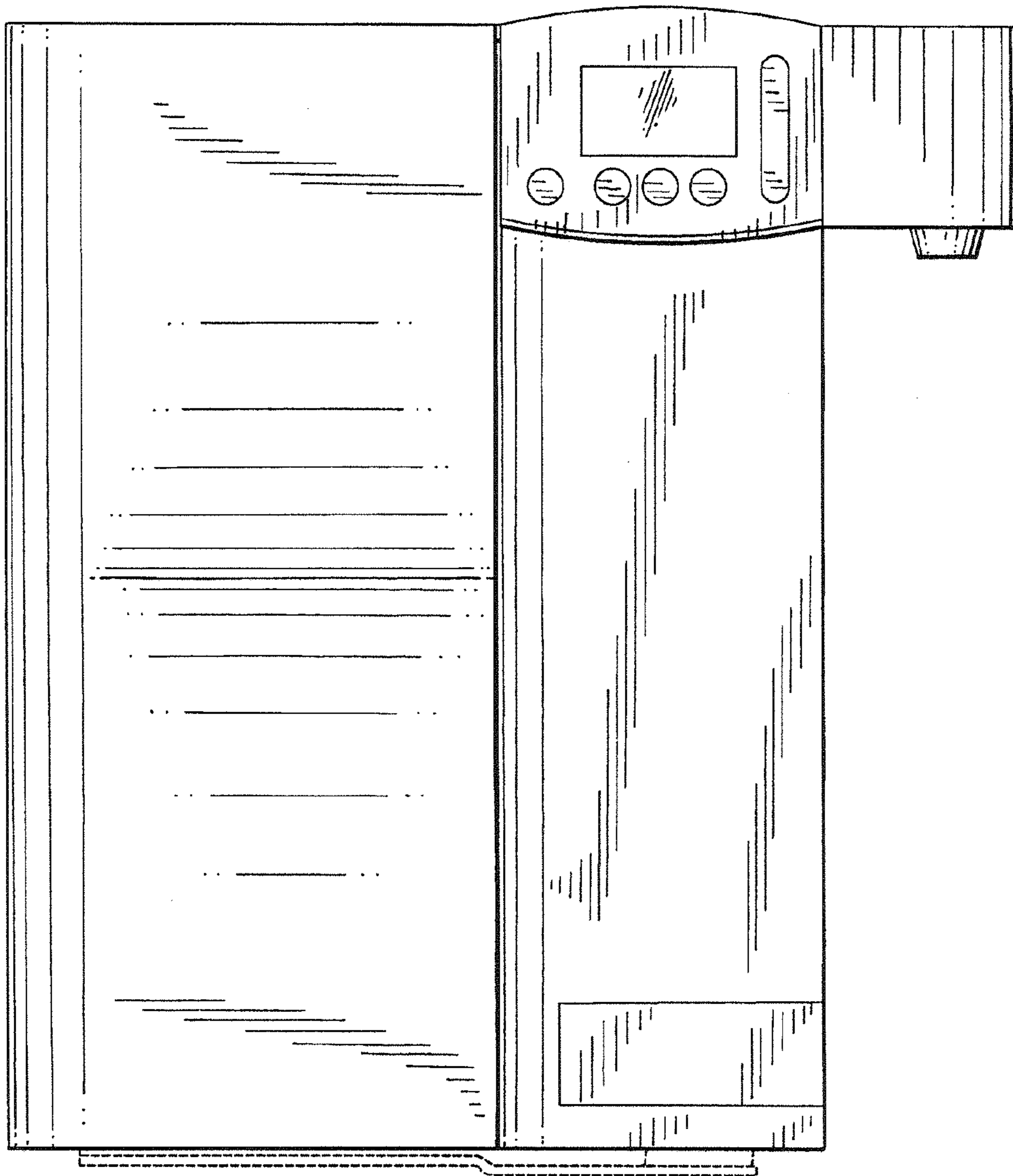


FIG.4

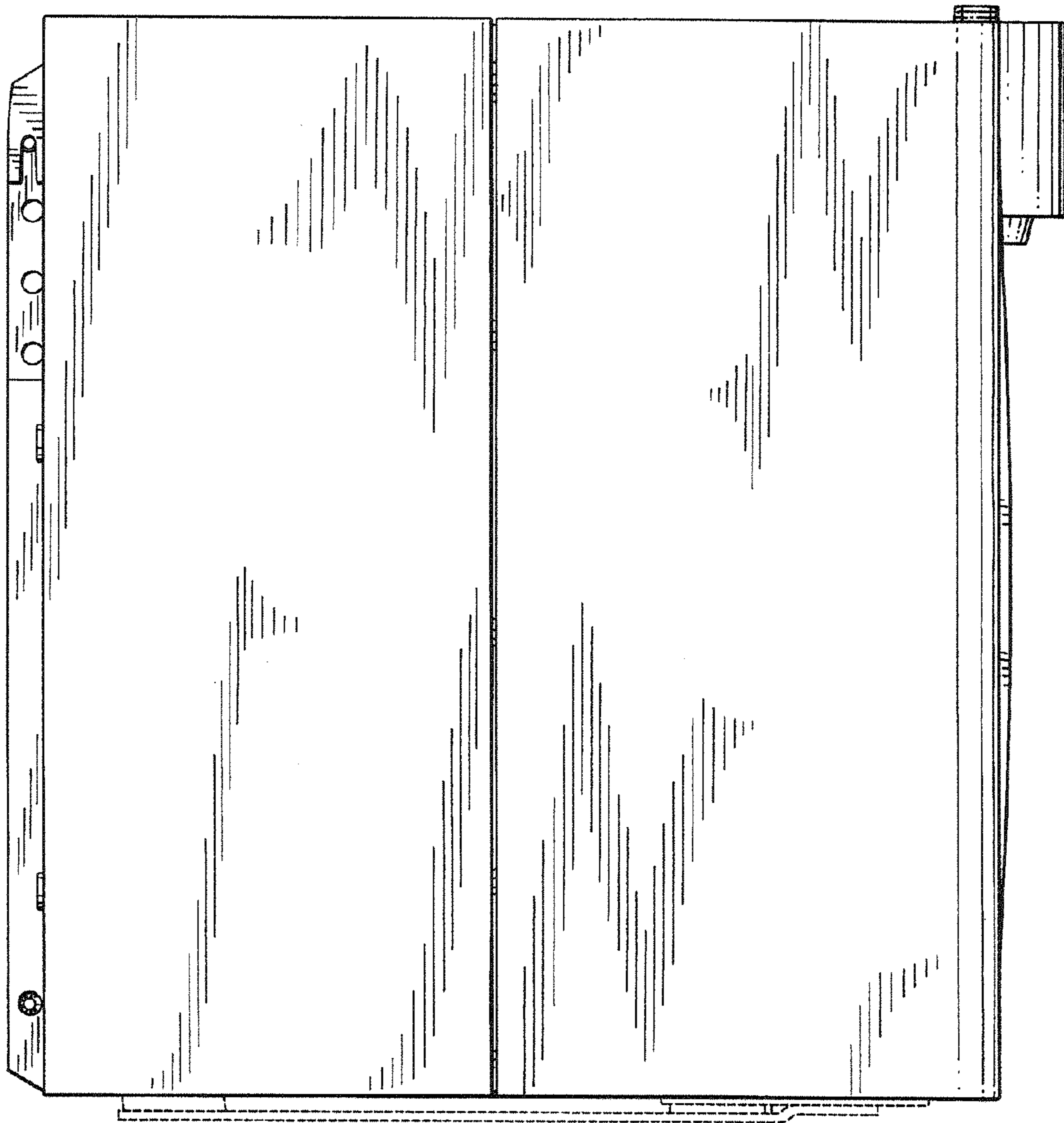


FIG.5

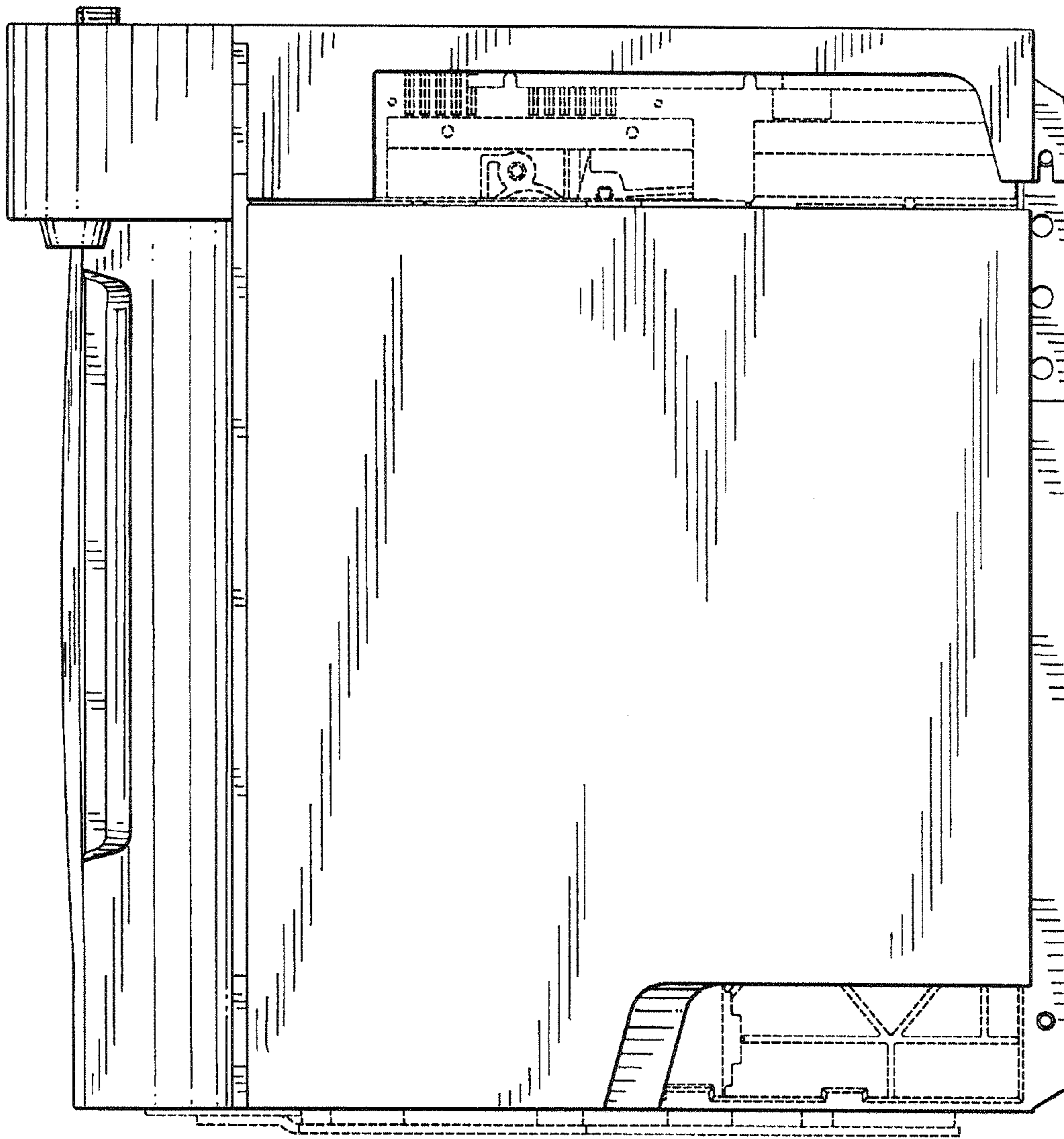


FIG. 6

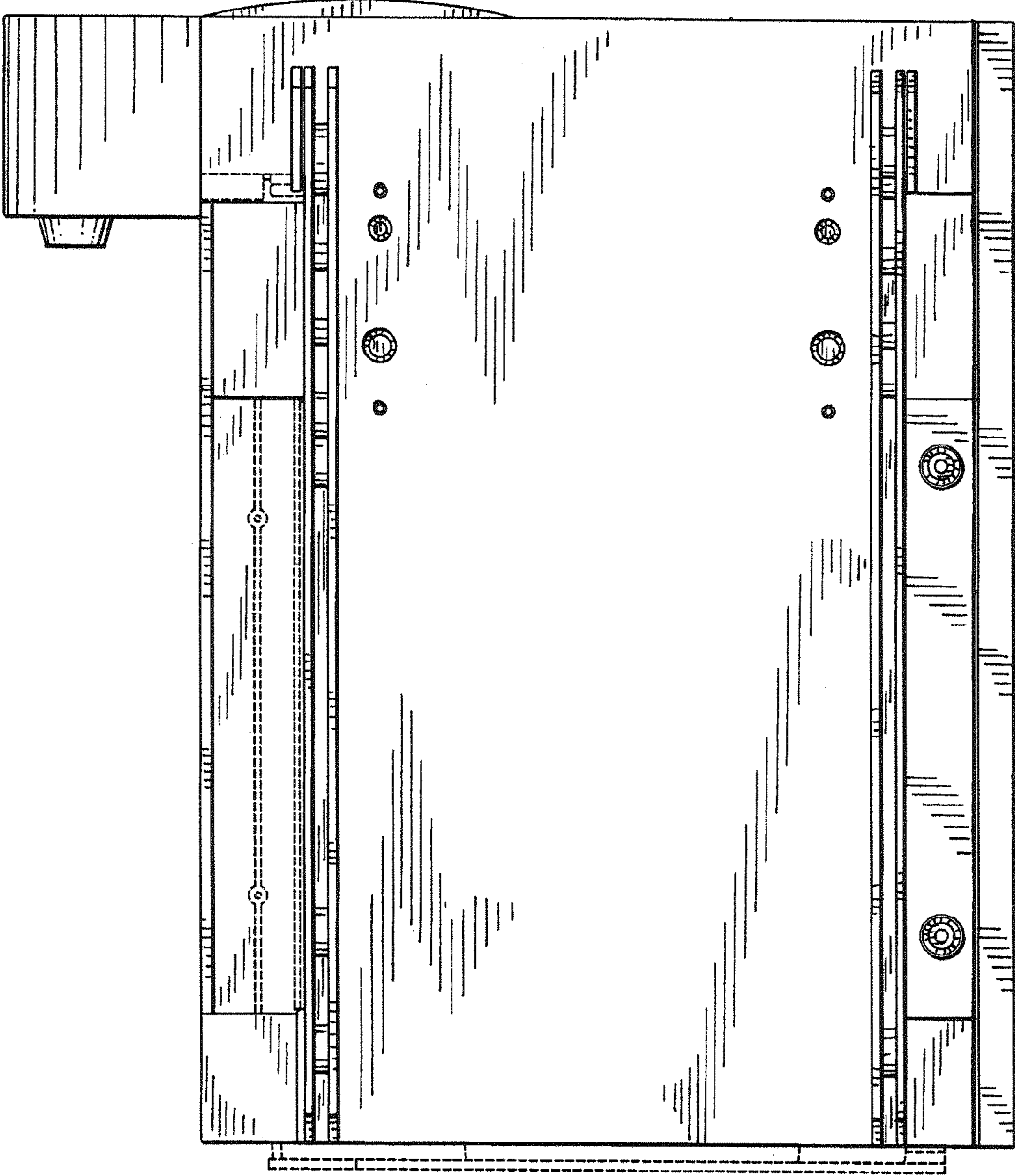


FIG.7

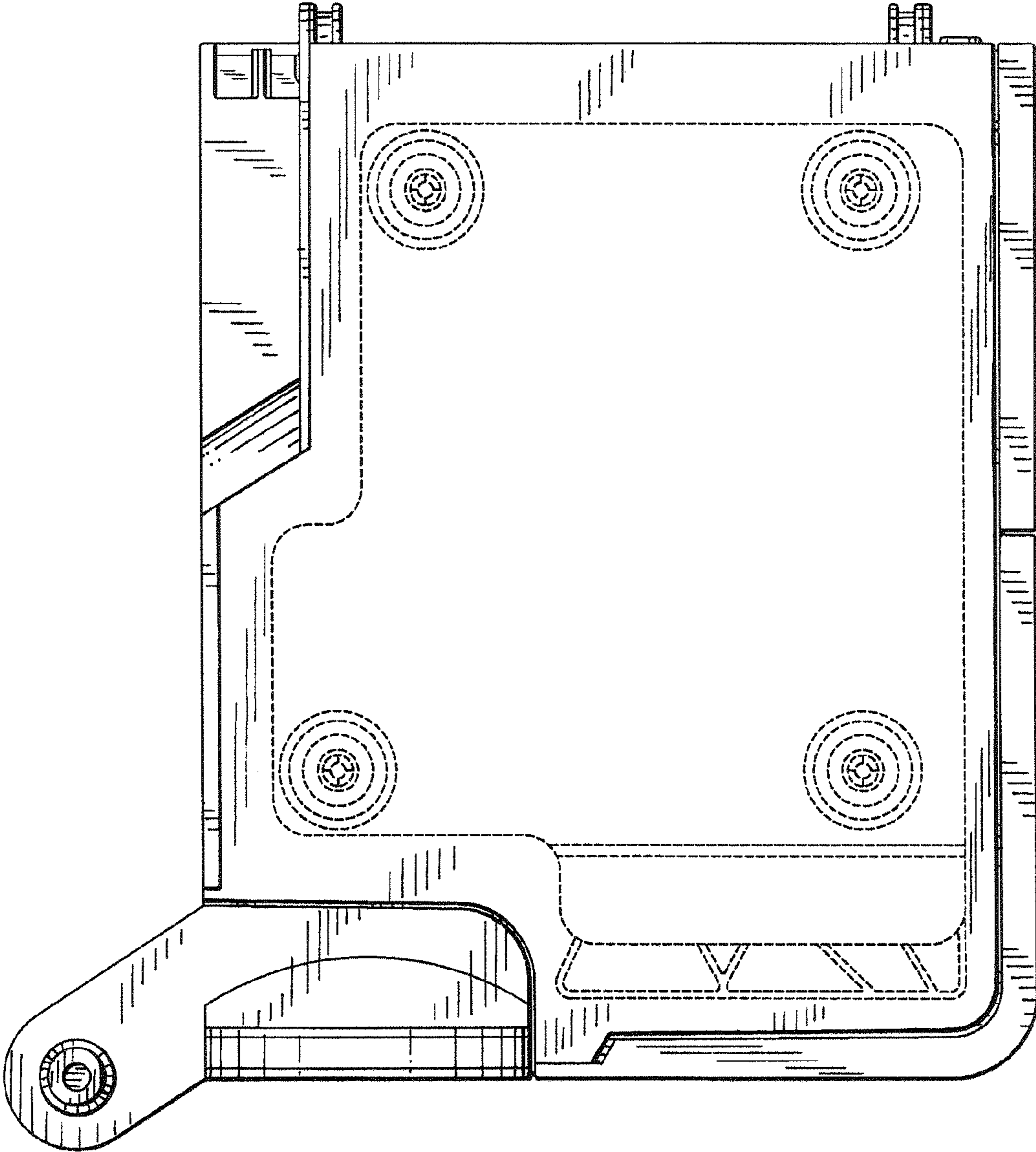


FIG.8