



US00D674873S

(12) **United States Design Patent**  
**Rogers et al.**

(10) **Patent No.:** **US D674,873 S**

(45) **Date of Patent:** **\*\* Jan. 22, 2013**

(54) **BORE CLEANING TOOL**

(76) Inventors: **William H. Rogers**, St. Augustine, FL  
(US); **Matthew E. McKendrick**,  
Jacksonville, FL (US)

(\*\*) Term: **14 Years**

(21) Appl. No.: **29/378,937**

(22) Filed: **Nov. 11, 2010**

(51) **LOC (9) Cl.** ..... **22-99**

(52) **U.S. Cl.** ..... **D22/199**

(58) **Field of Classification Search** ..... D22/108,  
D22/199; D21/572-574; 42/95;  
15/104.011-104.05

See application file for complete search history.

(56) **References Cited**

U.S. PATENT DOCUMENTS

99,557	A *	2/1870	Gillette	15/104.19
101,997	A *	4/1870	Greve	15/104.16
172,996	A *	2/1876	Gregg	15/104.16
209,276	A *	10/1878	Longden	15/104.16
387,410	A *	8/1888	Gillette	15/104.16
1,264,290	A *	4/1918	Fletcher	15/104.2
1,288,495	A *	12/1918	Brooks	15/104.16
1,373,999	A *	4/1921	Drummond	15/104.19
1,490,038	A *	4/1924	Smith	15/104.16
1,526,177	A *	2/1925	Olberding	15/104.16
1,532,222	A *	4/1925	Belding	15/104.16
1,665,257	A *	4/1928	Dake	15/104.165
2,495,793	A *	1/1950	Webb	15/104.18
D247,936	S *	5/1978	Wortley et al.	D4/120
4,962,607	A *	10/1990	Baldwin	42/95
D322,696	S *	12/1991	Redwine	D32/35
D393,115	S *	3/1998	Bell et al.	D32/35
6,276,017	B1 *	8/2001	Lino et al.	15/104.061
D545,935	S *	7/2007	Morris	D22/108
7,454,812	B1 *	11/2008	Lyle	15/104.05
D651,684	S *	1/2012	Rogers et al.	D22/199

2007/0266610	A1 *	11/2007	Coffield	42/95
2007/0294930	A1 *	12/2007	Mays	42/95
2009/0283115	A1 *	11/2009	Dentico	134/22.1
2011/0047853	A1 *	3/2011	Williams	42/95
2011/0107646	A1 *	5/2011	Anderson	42/95

\* cited by examiner

*Primary Examiner* — Mark Goodwin

(74) *Attorney, Agent, or Firm* — Arthur G. Yeager

(57) **CLAIM**

The ornamental design for a bore cleaning tool, as shown and described.

**DESCRIPTION**

FIG. 1 is a perspective view of a longitudinal side and front axial end, according to a first embodiment thereof;

FIG. 2 is a perspective view of a longitudinal side and rear axial end, according to the first embodiment thereof;

FIG. 3 is a longitudinal side view thereof, according to the first embodiment thereof;

FIG. 4 is a front axial end view thereof, according to the first embodiment thereof;

FIG. 5 is a rear axial end view thereof according to the first embodiment thereof;

FIG. 6 is a perspective view of a longitudinal side and front axial end, according to a second embodiment thereof;

FIG. 7 is a perspective view of a longitudinal side and rear axial end, according to the second embodiment thereof;

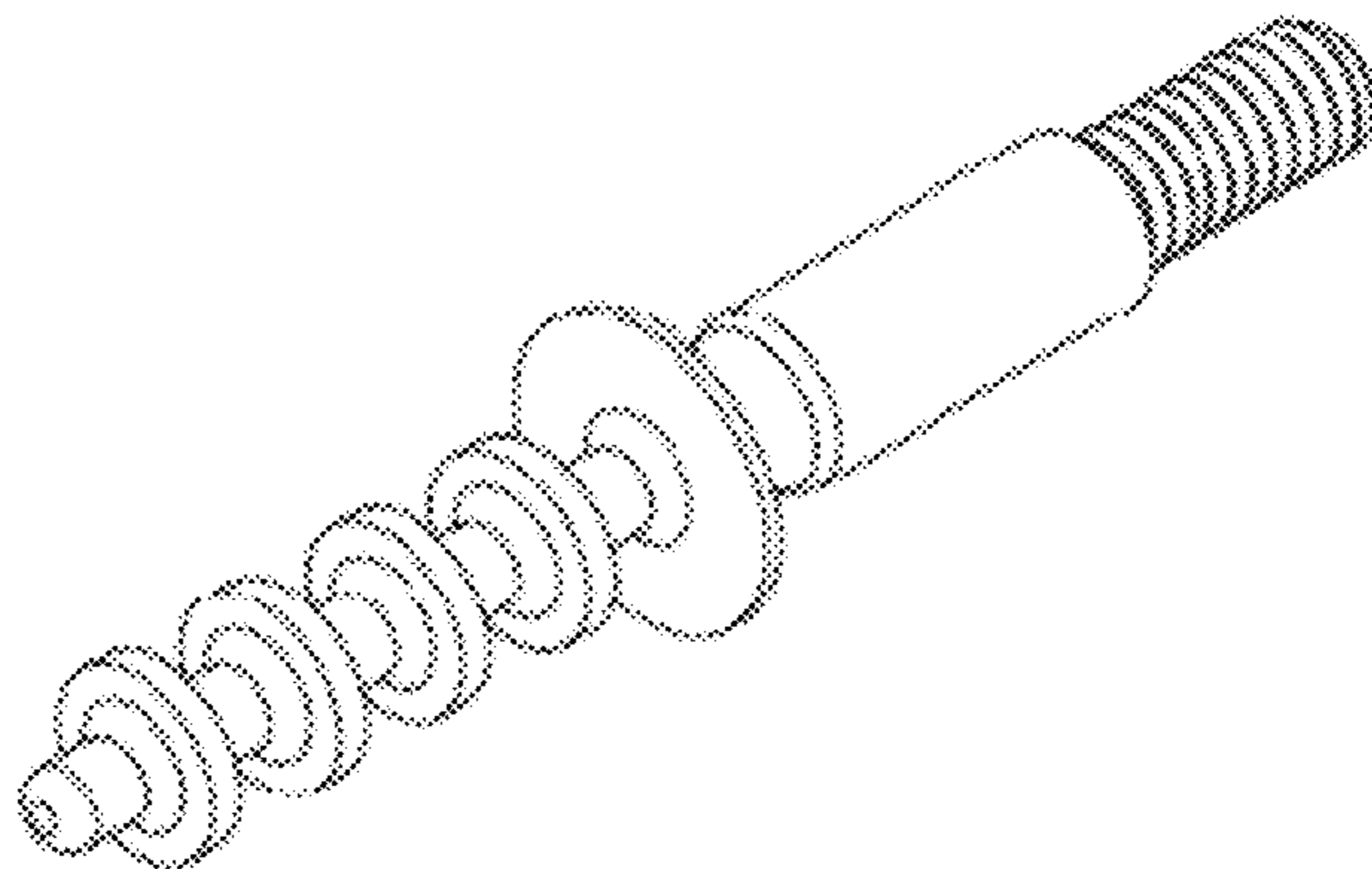
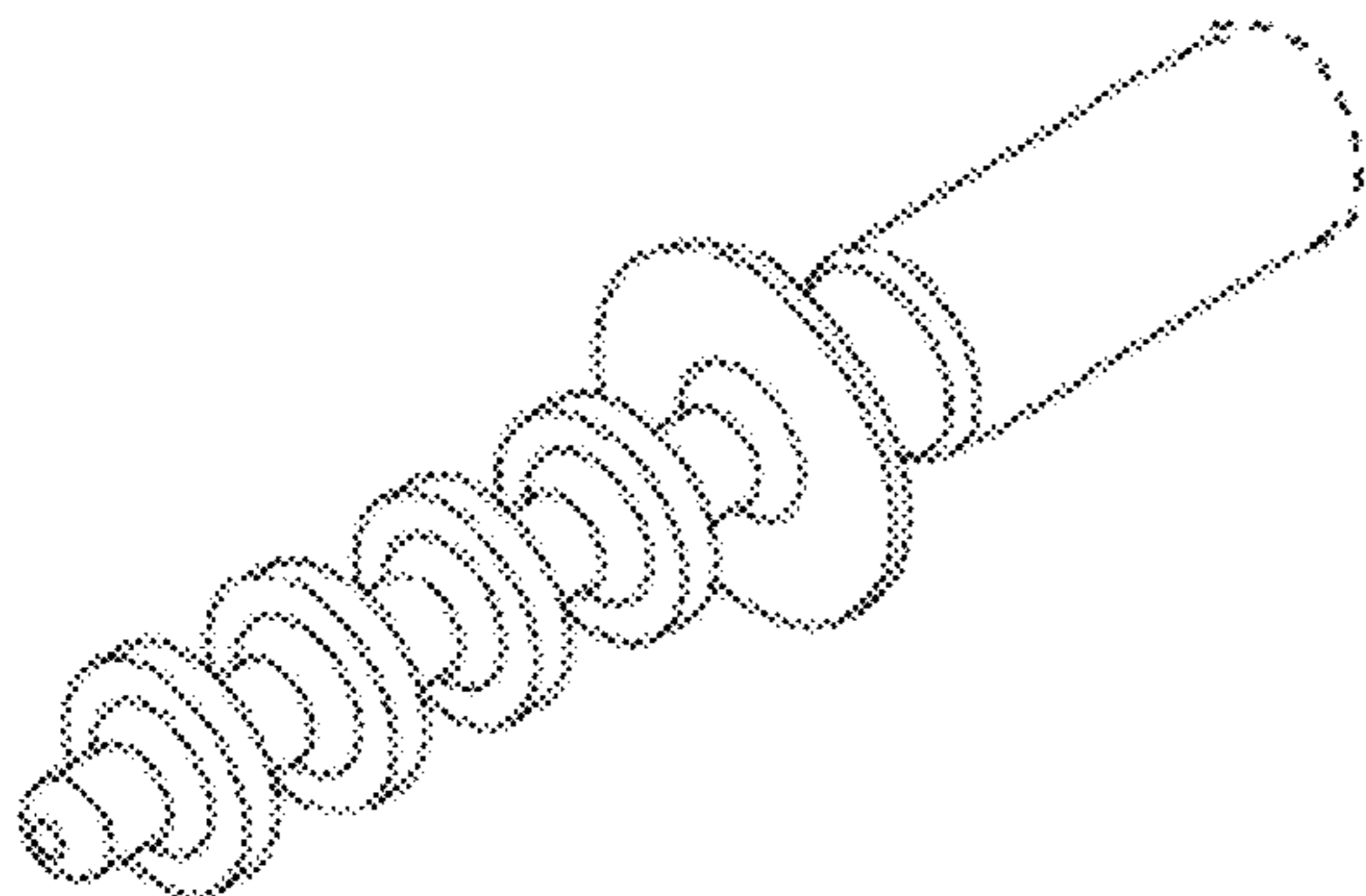
FIG. 8 is a longitudinal side view thereof, according to the second embodiment thereof;

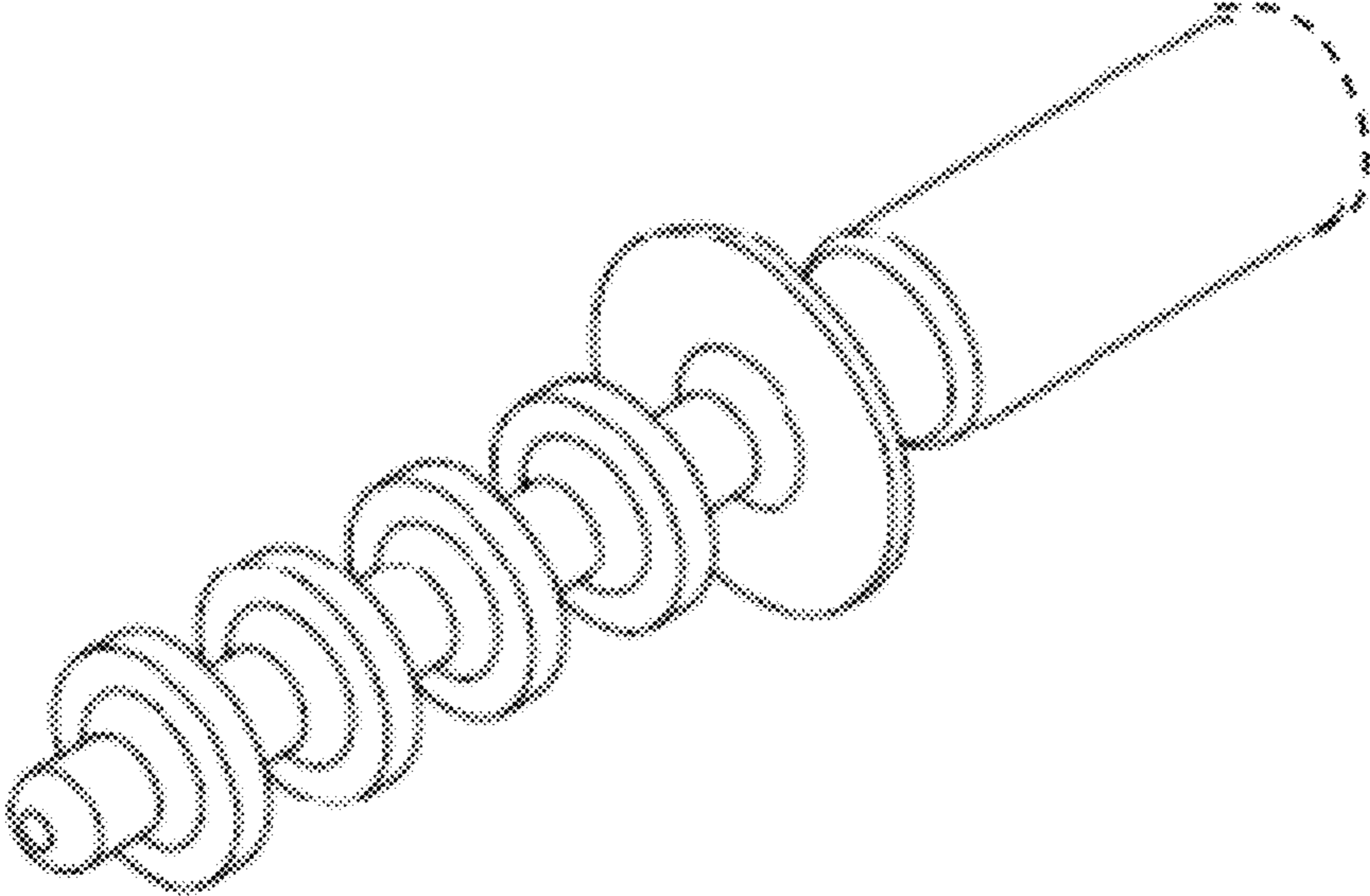
FIG. 9 is a front axial end view thereof, according to the second embodiment thereof; and,

FIG. 10 is a rear axial end view thereof, according to the second embodiment thereof.

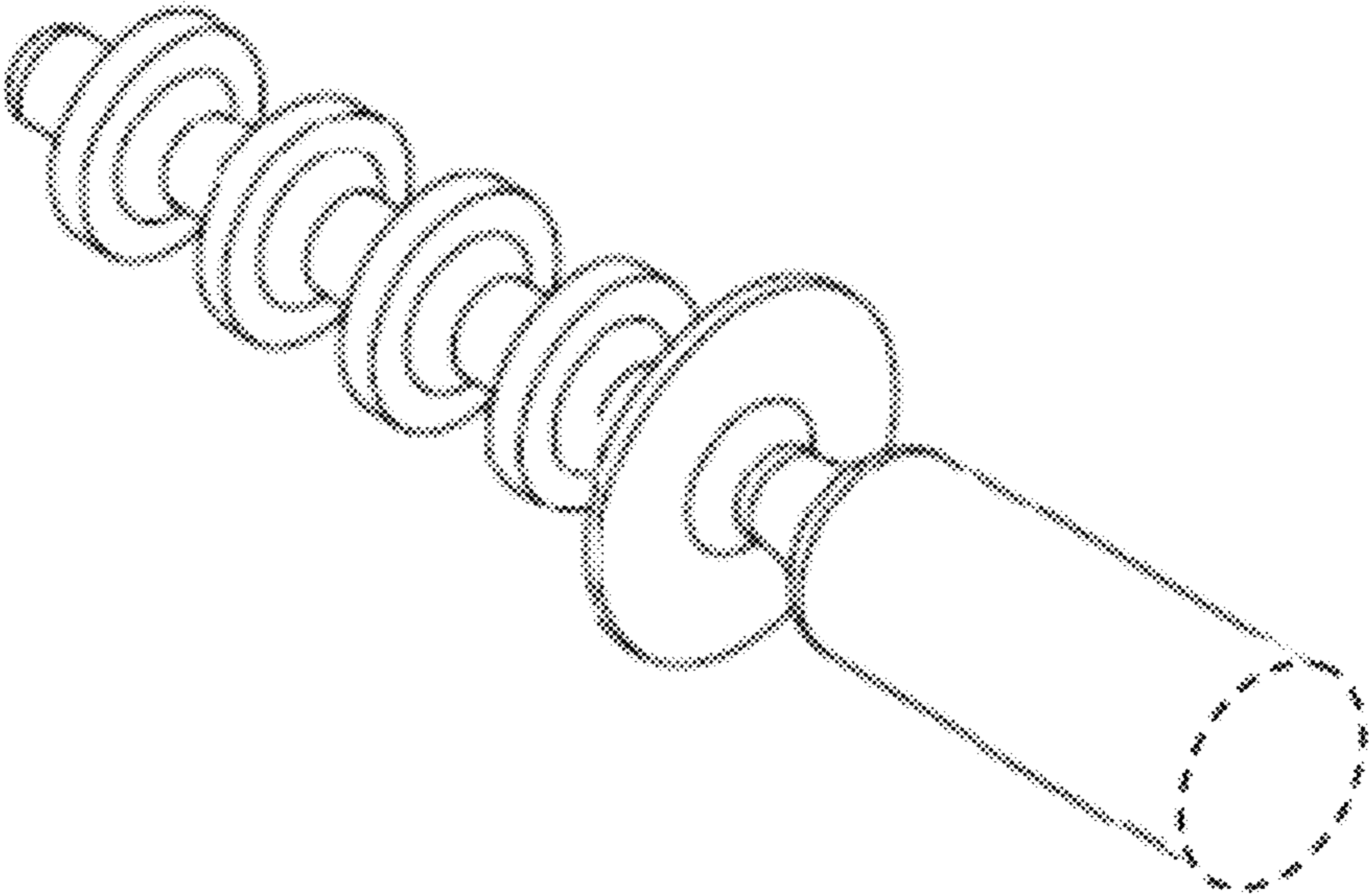
The large broken lines illustrate a boundary of the claimed invention, and small broken lines illustrate environment, which forms no part of the claimed design.

**1 Claim, 4 Drawing Sheets**



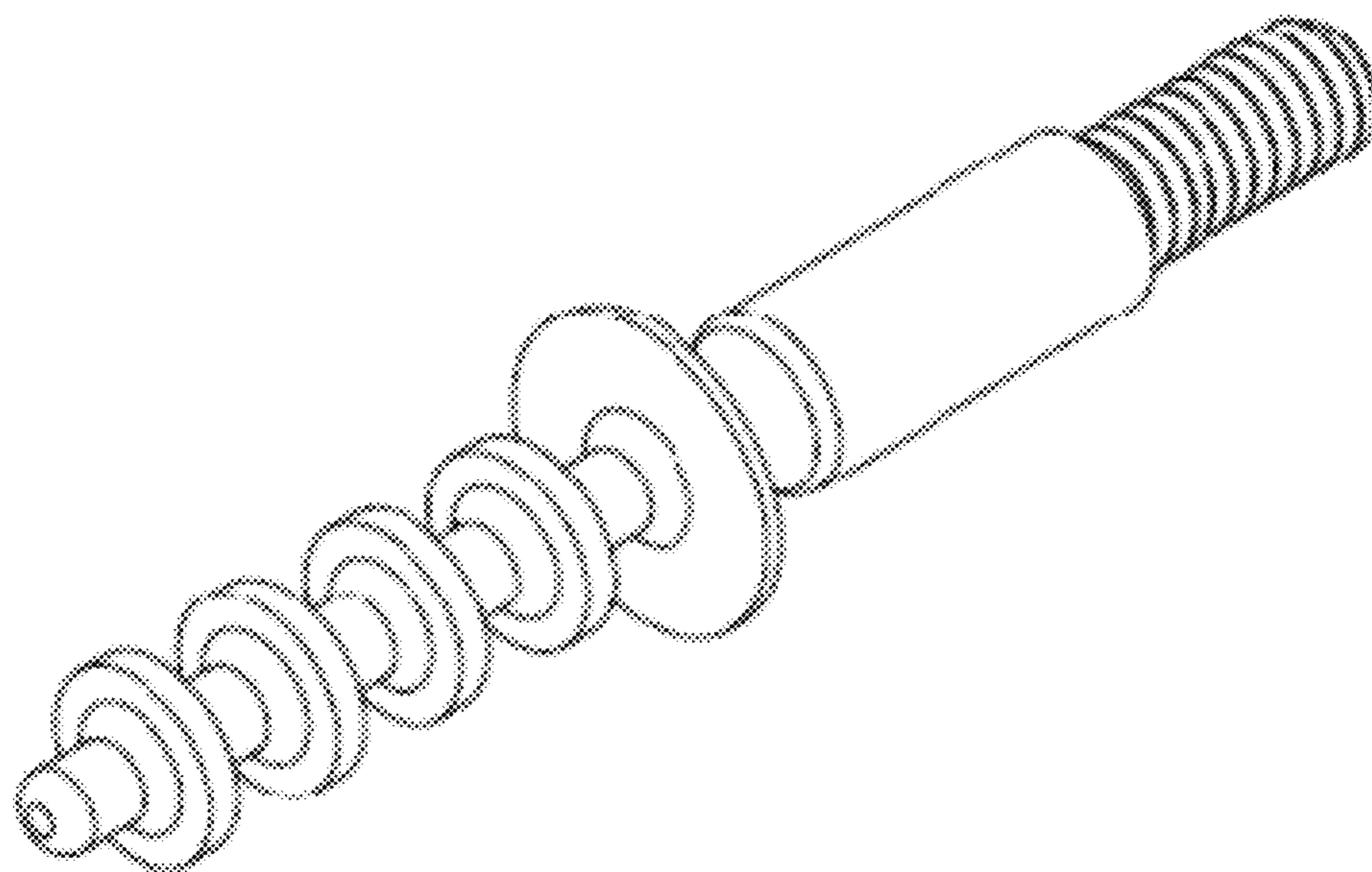


**FIG. 1**

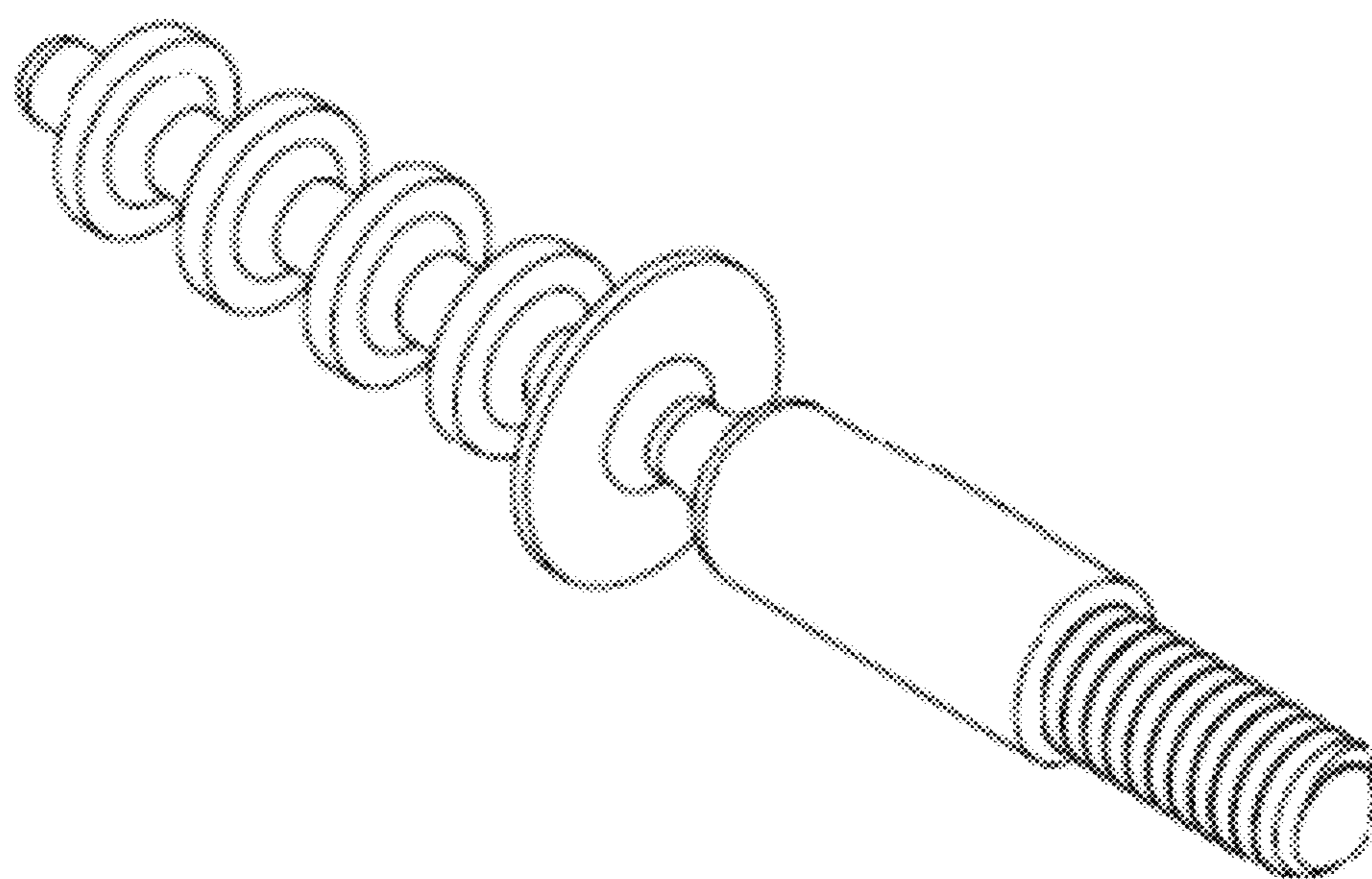


**FIG. 2**





**FIG. 6**



**FIG. 7**

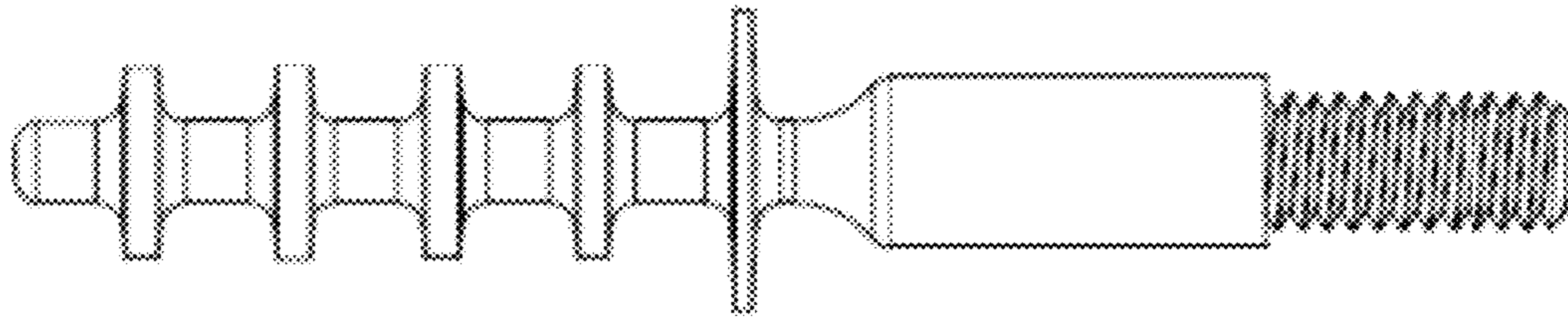


FIG. 8

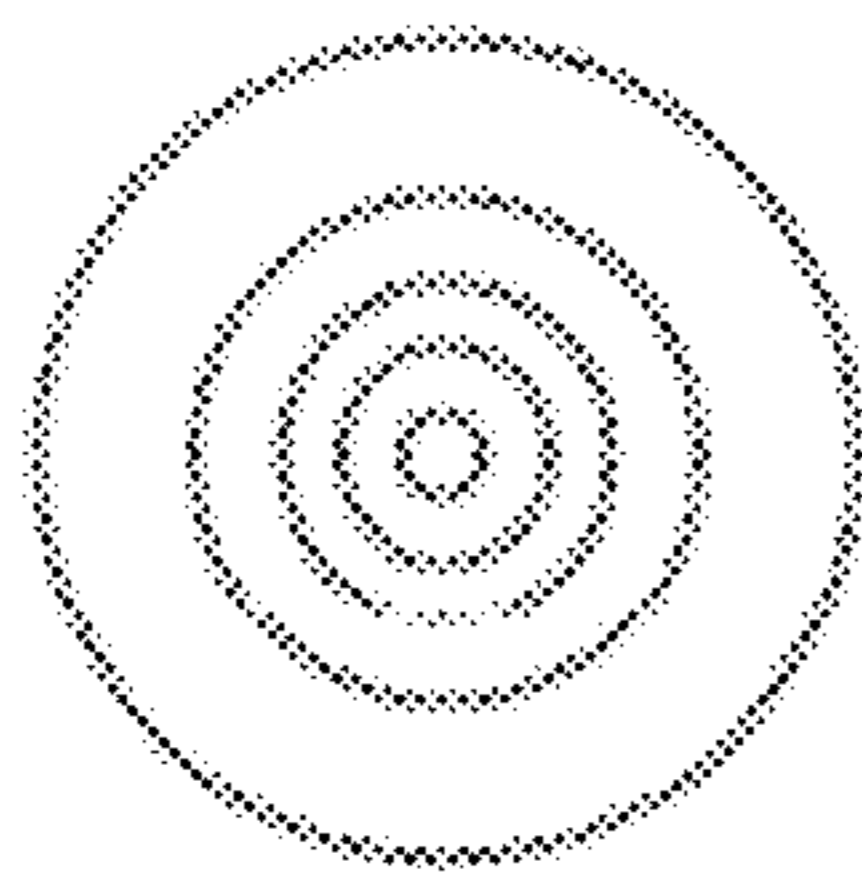


FIG. 9

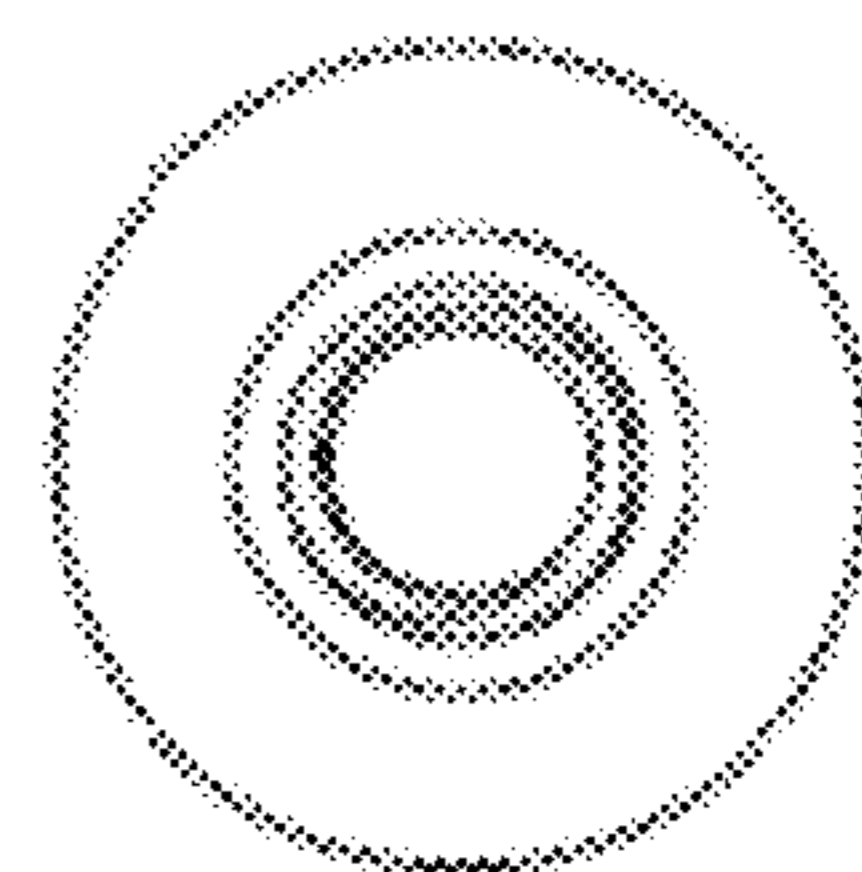


FIG. 10