



US00D674872S

(12) **United States Design Patent**
Asaba

(10) **Patent No.:** **US D674,872 S**
(45) **Date of Patent:** **** Jan. 22, 2013**

(54) **FISHING REEL PORTION**

(75) Inventor: **Mariko Asaba**, Osaka (JP)

(73) Assignee: **Shimano Inc.**, Osaka (JP)

(**) Term: **14 Years**

(21) Appl. No.: **29/425,700**

(22) Filed: **Jun. 26, 2012**

(30) **Foreign Application Priority Data**

Jan. 10, 2012 (JP) 2012-000255

(51) **LOC (9) Cl.** **D22-05**

(52) **U.S. Cl.** **D22/141**

(58) **Field of Classification Search** D22/137-142;
242/310-316, 223-224, 230, 238, 283, 322,
242/242; 43/19-22

See application file for complete search history.

(56) **References Cited**

U.S. PATENT DOCUMENTS

D627,417 S * 11/2010 Nago D22/141
D627,418 S * 11/2010 Nago D22/141
D650,465 S * 12/2011 Asaba D22/141

* cited by examiner

Primary Examiner — Catheri Oliver-Garcia

(74) *Attorney, Agent, or Firm* — Global IP Counselors, LLP

(57) **CLAIM**

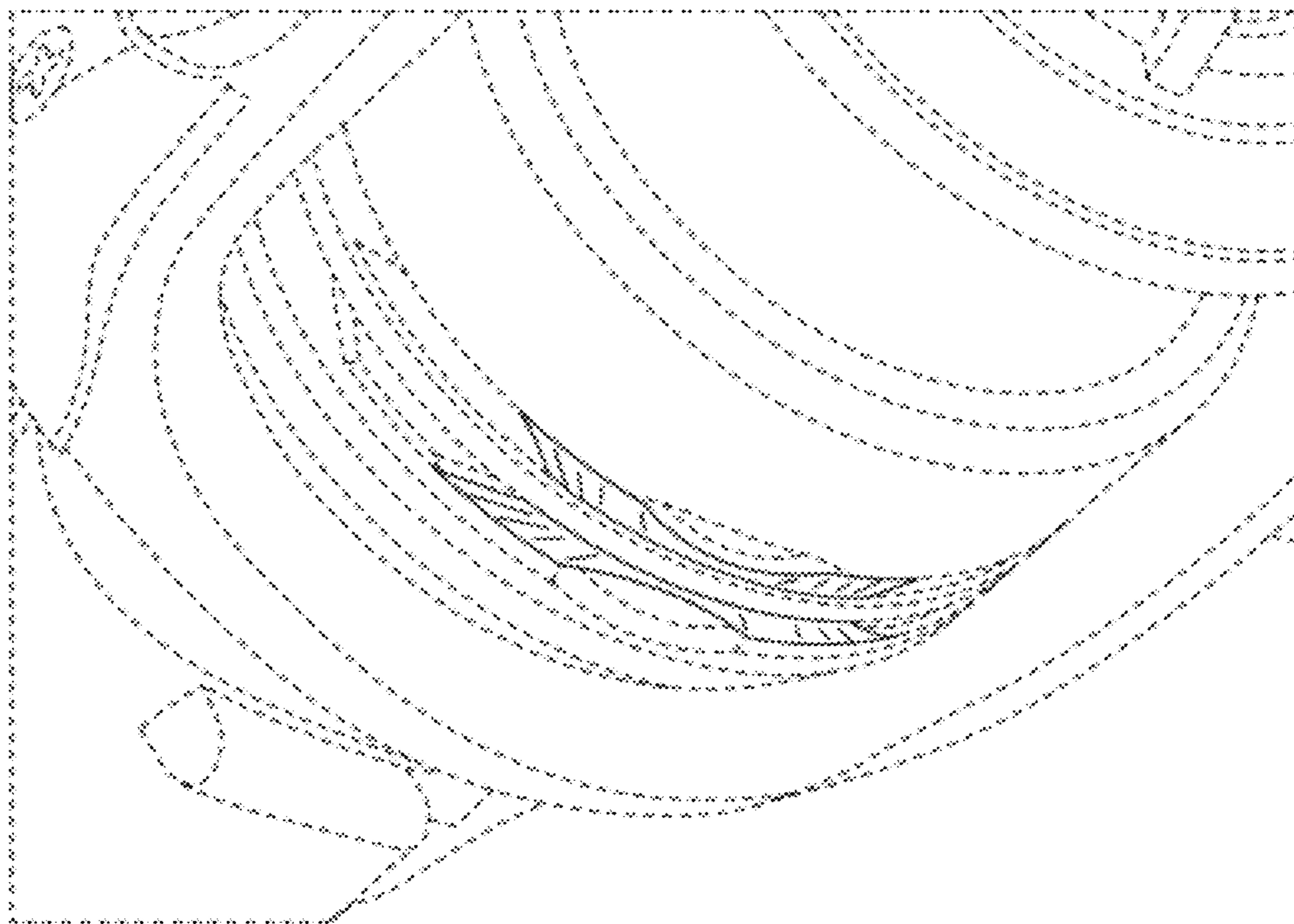
The ornamental design for a fishing reel portion, as shown and described.

DESCRIPTION

FIG. 1 is a first perspective view of a fishing reel with a fishing reel portion in accordance with my new design;
FIG. 2 is a second perspective view of the fishing reel with the fishing reel portion illustrated in FIG. 1;
FIG. 3 is a first side elevational view of the fishing reel with the fishing reel portion illustrated in FIG. 1;
FIG. 4 is a second side elevational view of the fishing reel with the fishing reel portion illustrated in FIG. 1;
FIG. 5 is a top plan view of the fishing reel illustrated in FIG. 1, with the fishing reel portion being hidden;
FIG. 6 is a bottom plan view of the fishing reel with the fishing reel portion illustrated in FIG. 1;
FIG. 7 is a front elevational view of the fishing reel illustrated in FIG. 1, with the fishing reel portion being hidden;
FIG. 8 is a rear elevational view of the fishing reel illustrated in FIG. 1, with the fishing reel portion being hidden;
FIG. 9 is an enlarged, partial perspective view of the fishing reel with the fishing reel portion illustrated in FIG. 1; and,
FIG. 10 is an enlarged, partial with the fishing reel portion being hidden plan view of the fishing reel with the fishing reel portion illustrated in FIG. 1.

The broken line illustration of the environmental structure (the remaining structure of the fishing reel) in the drawings is not part of the claimed design.

1 Claim, 5 Drawing Sheets



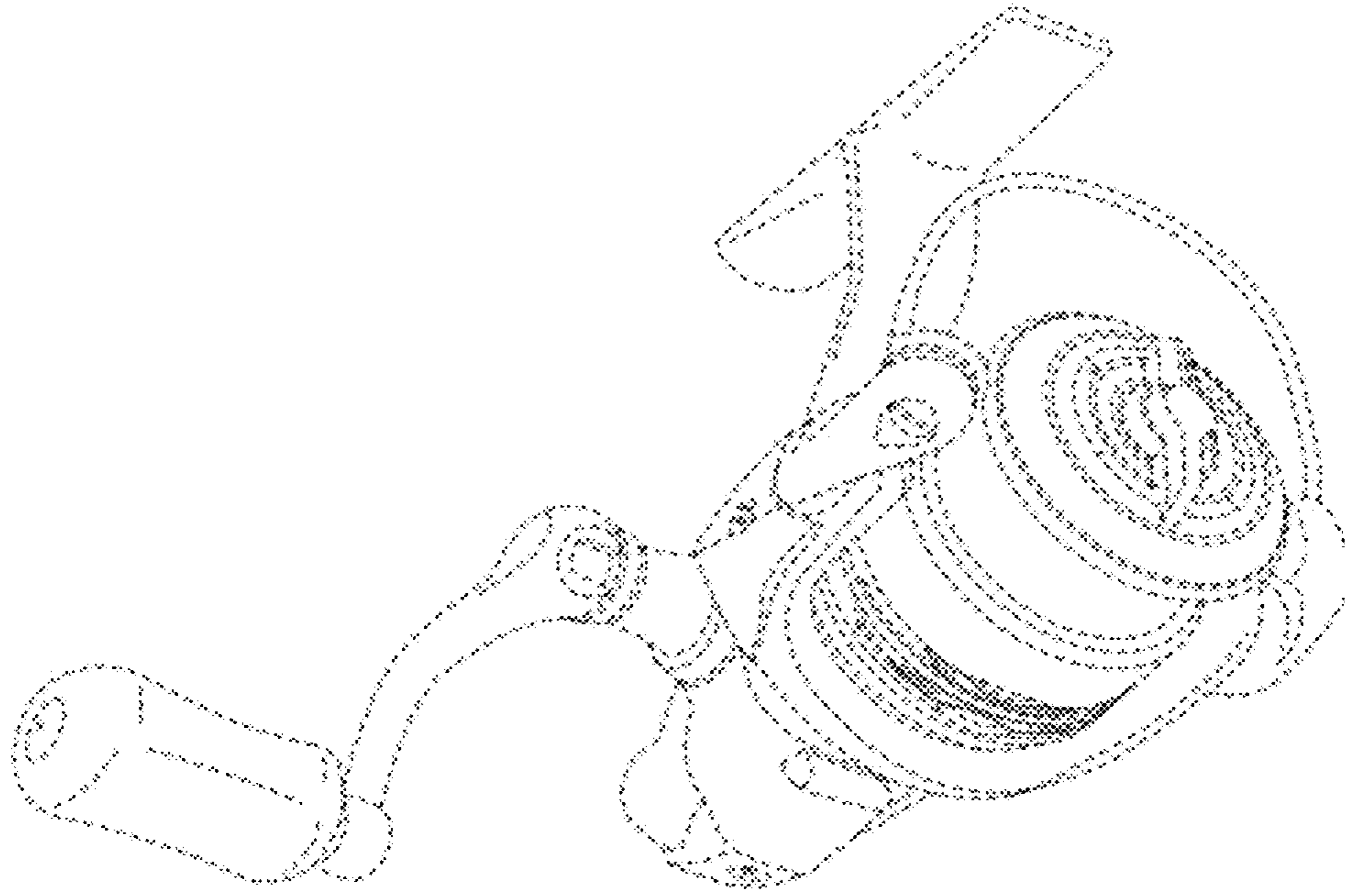


FIG. 1

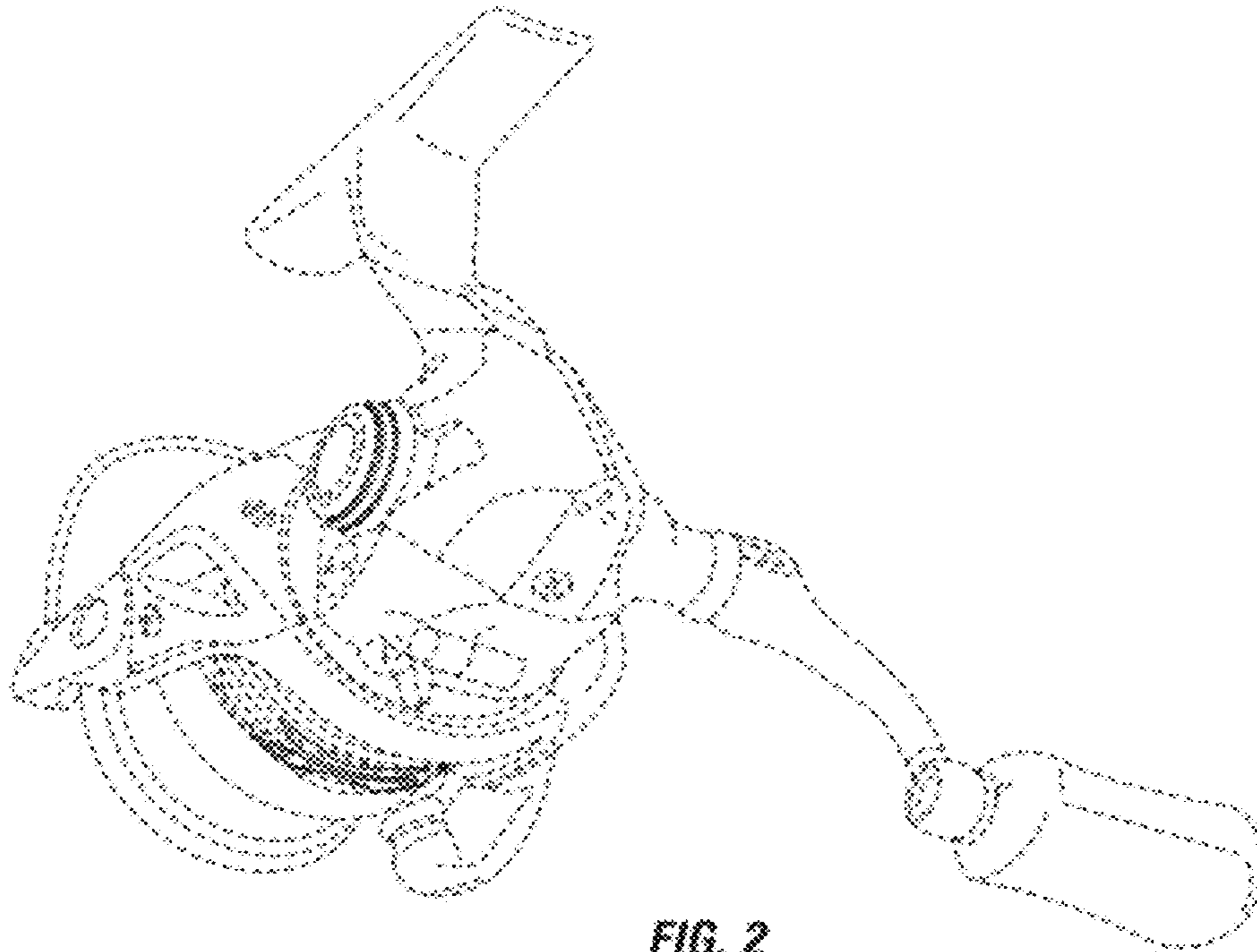


FIG. 2

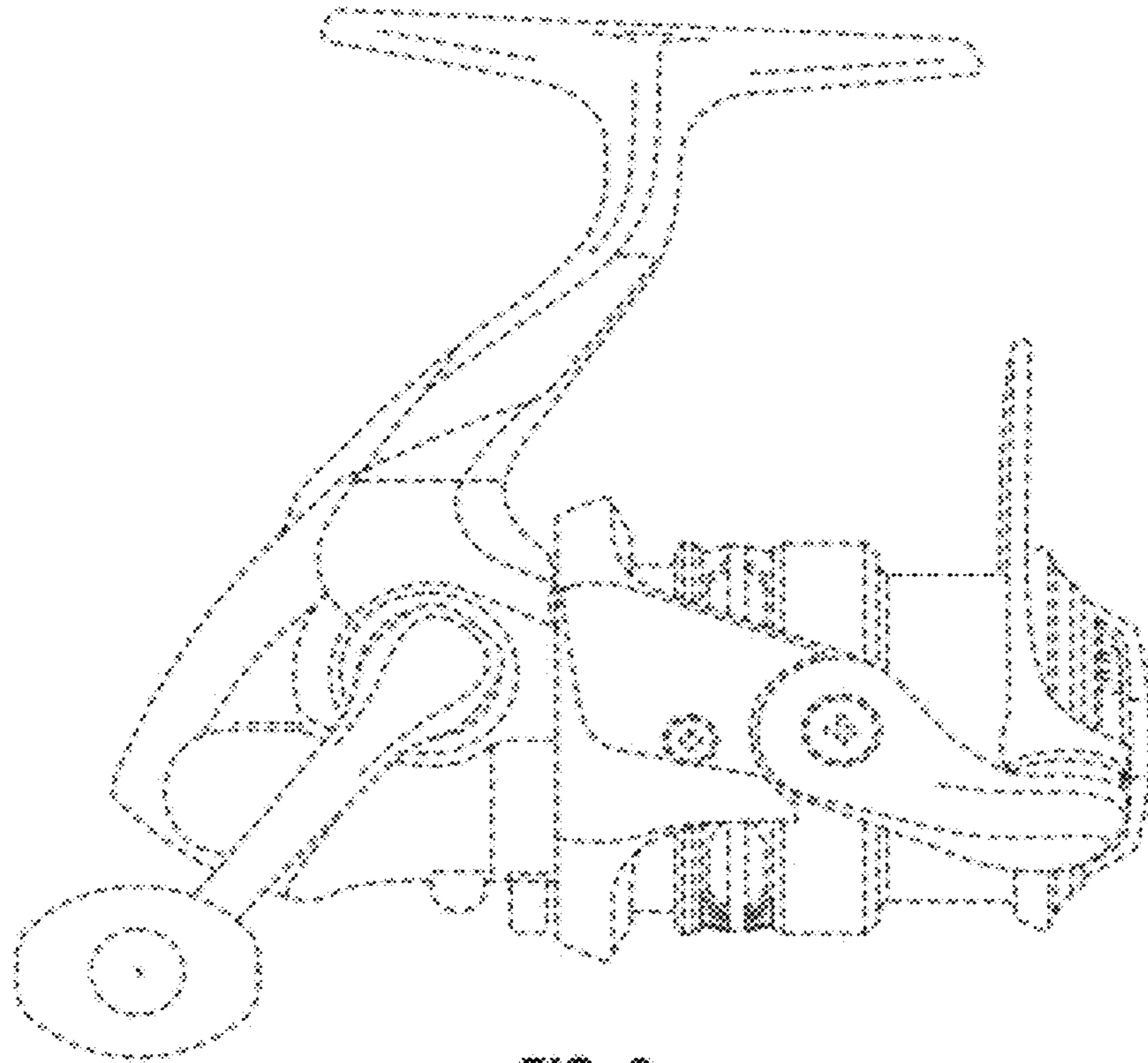


FIG. 3

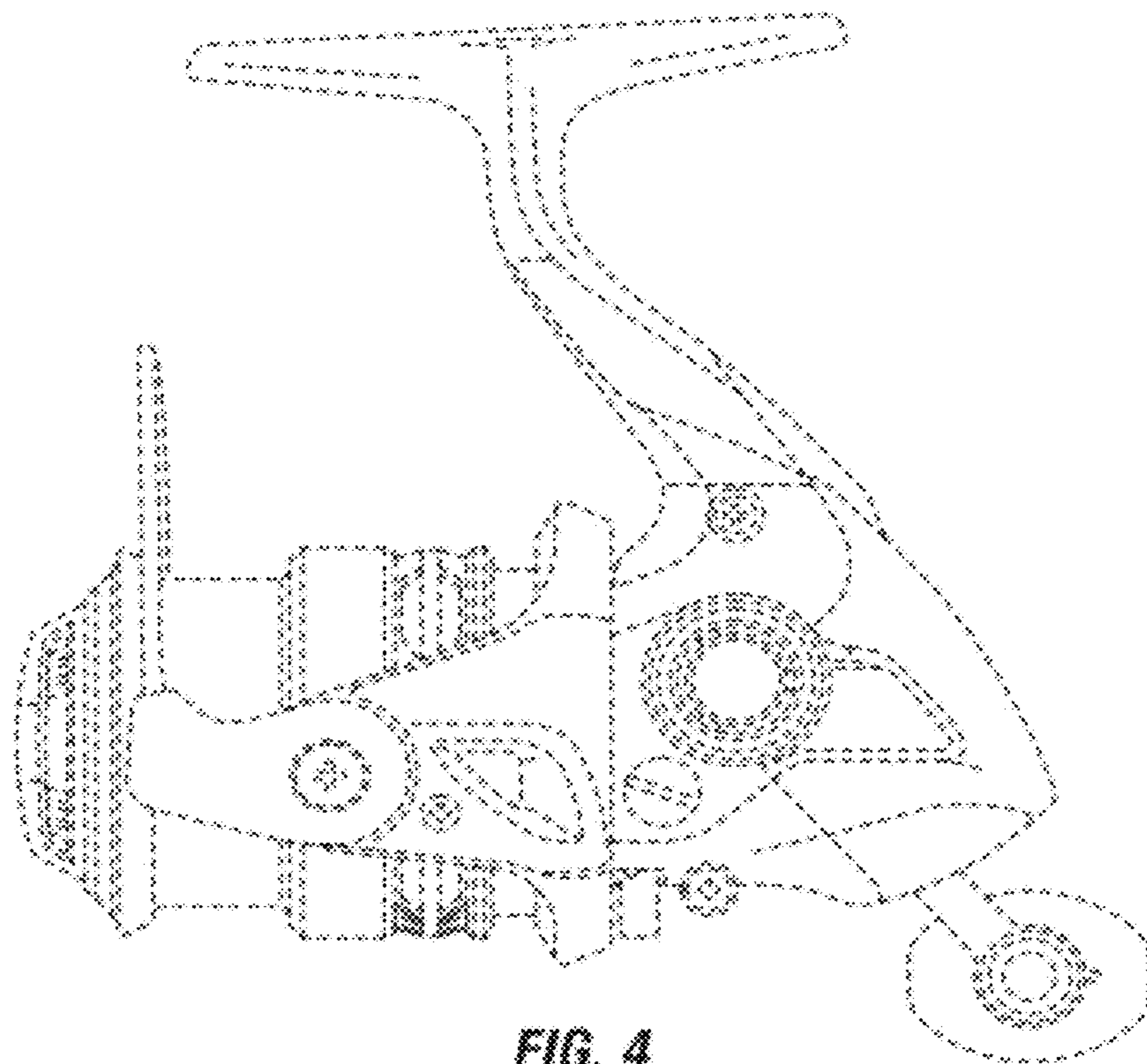


FIG. 4

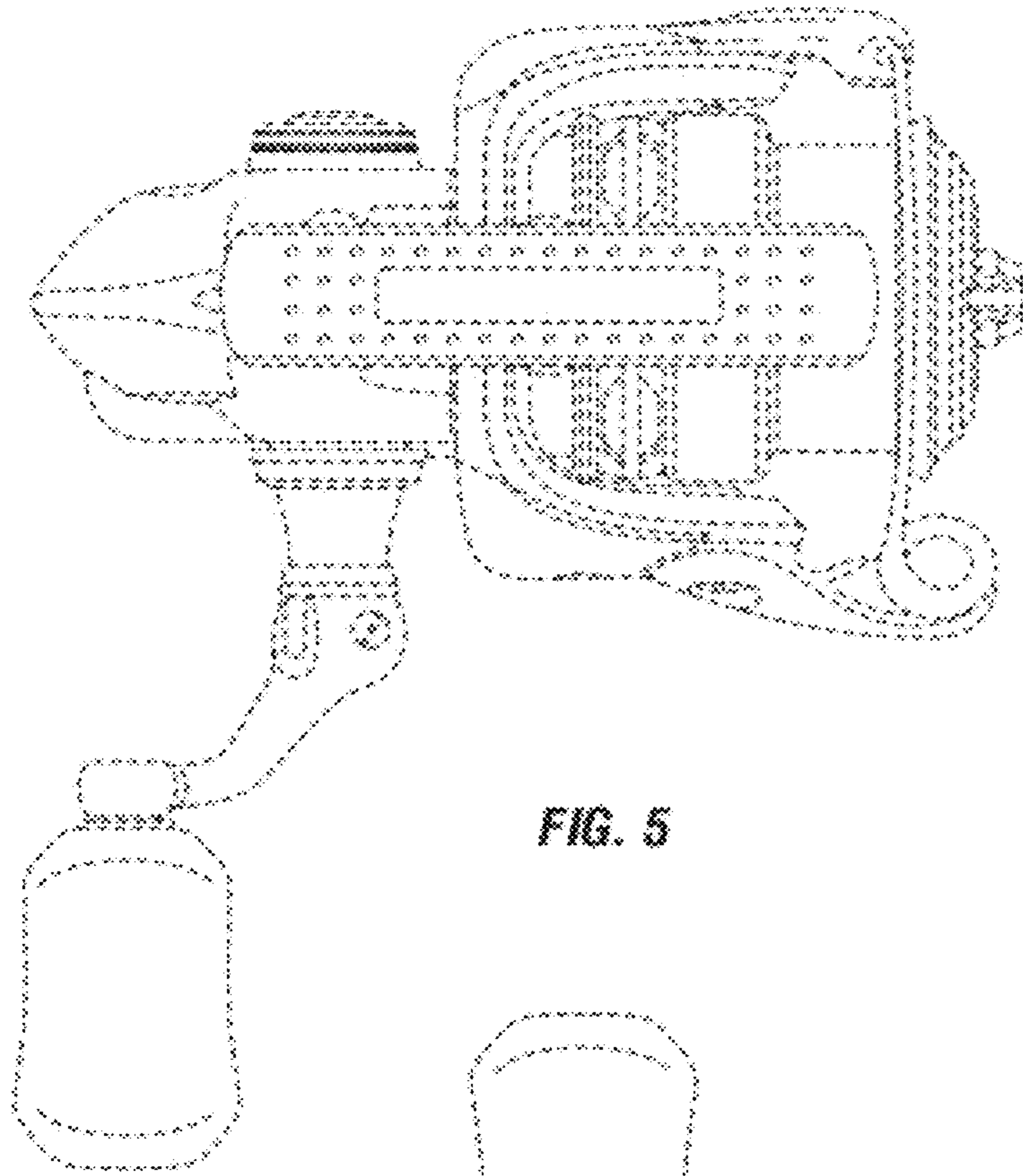


FIG. 5

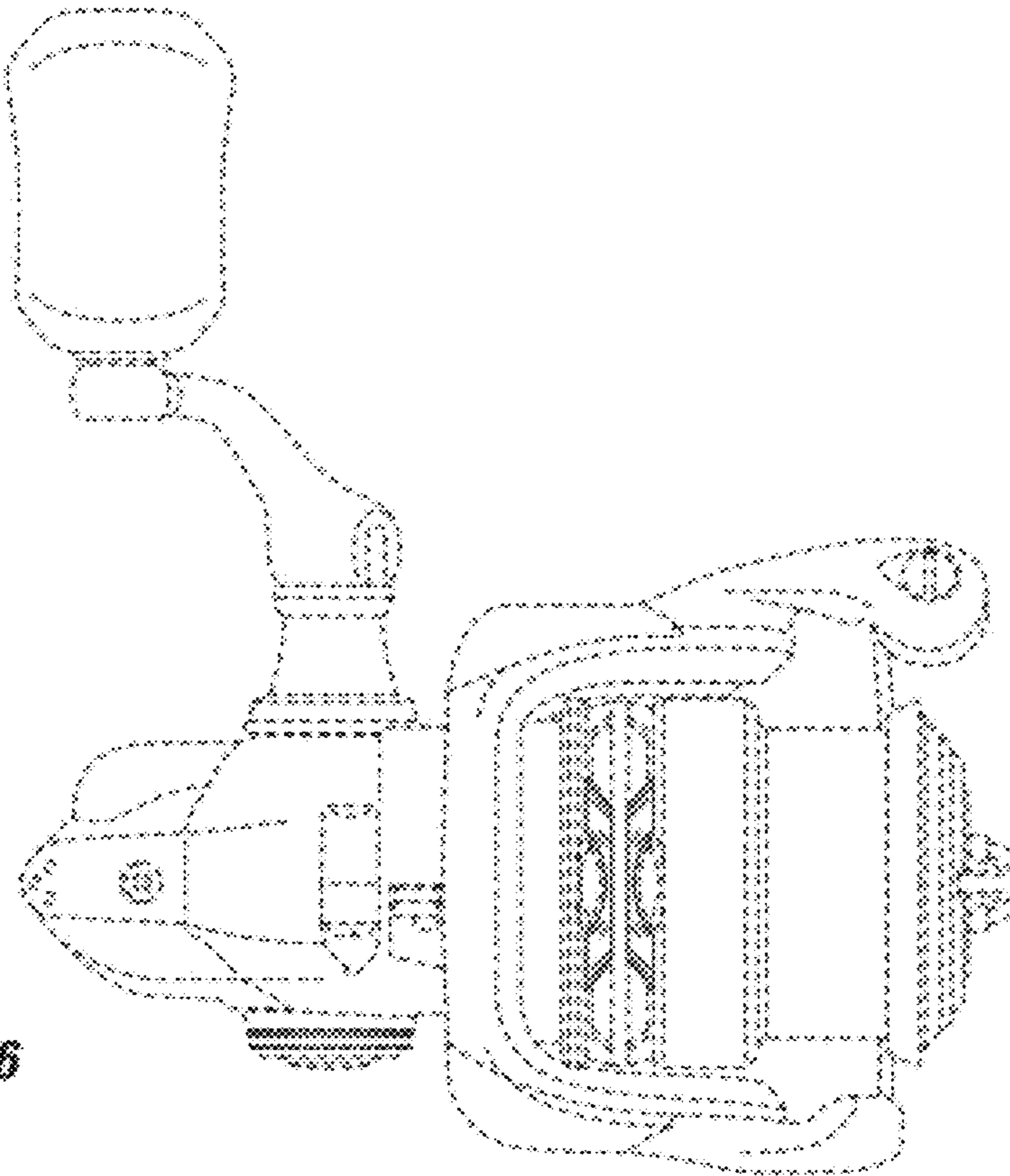
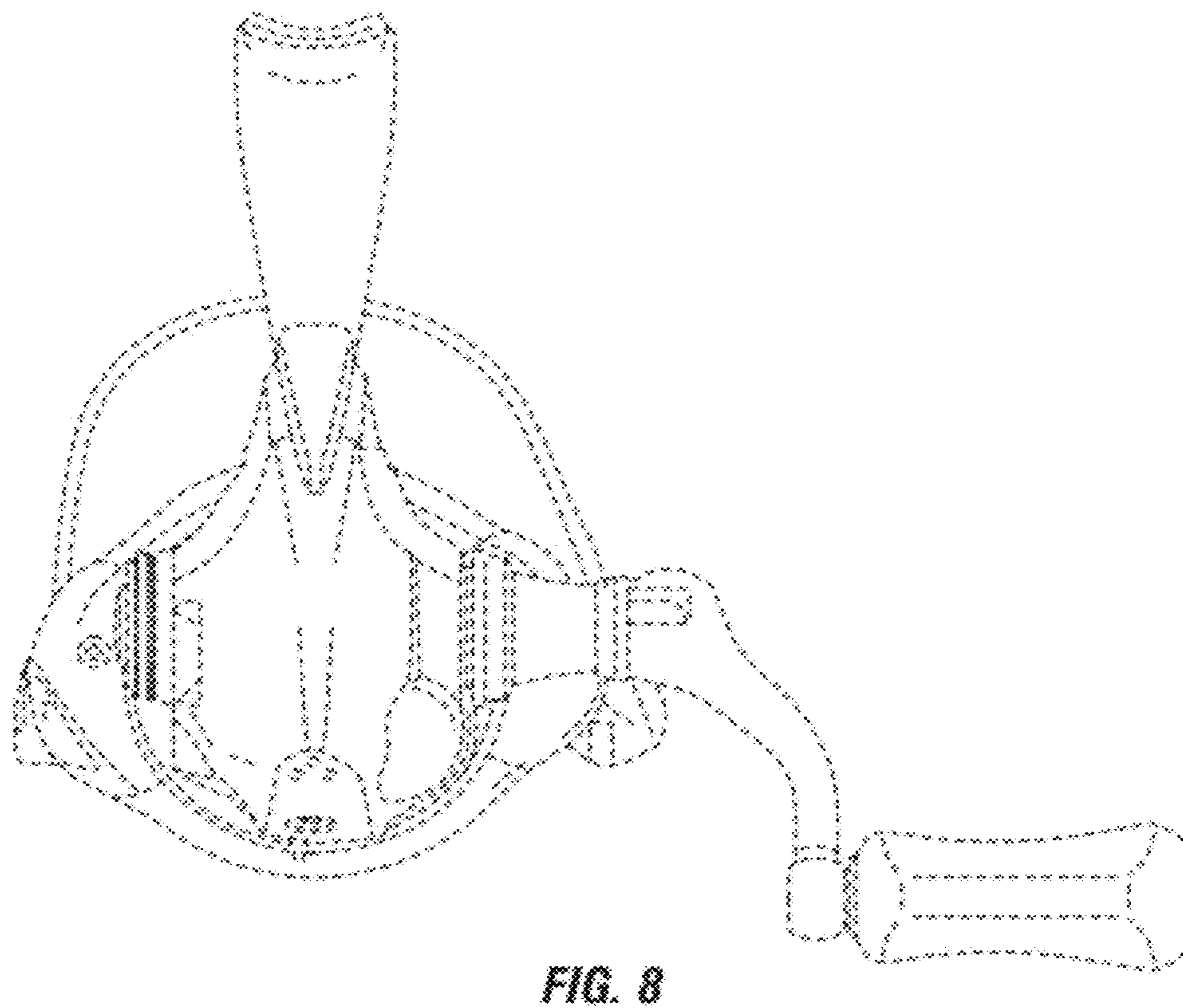
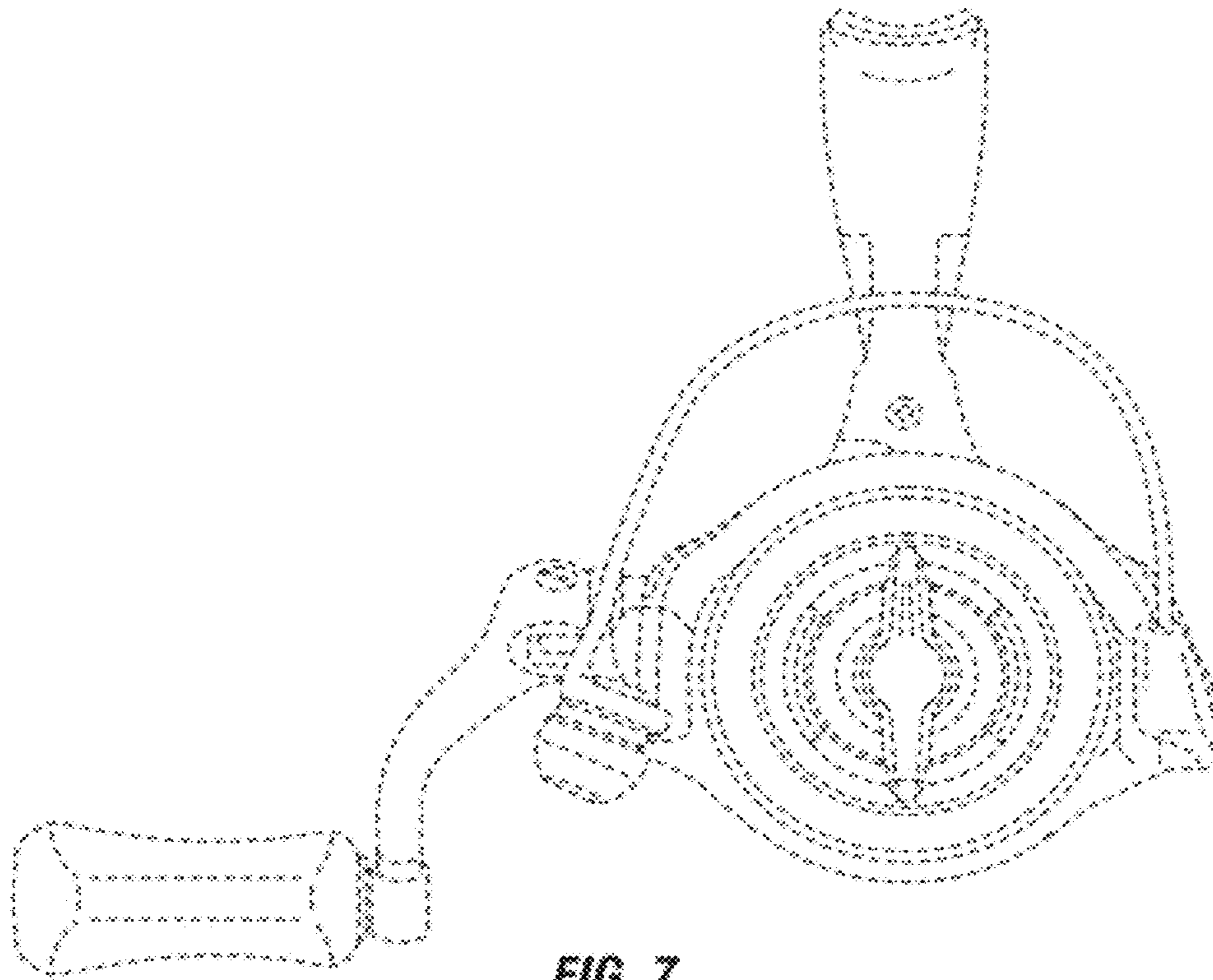


FIG. 6



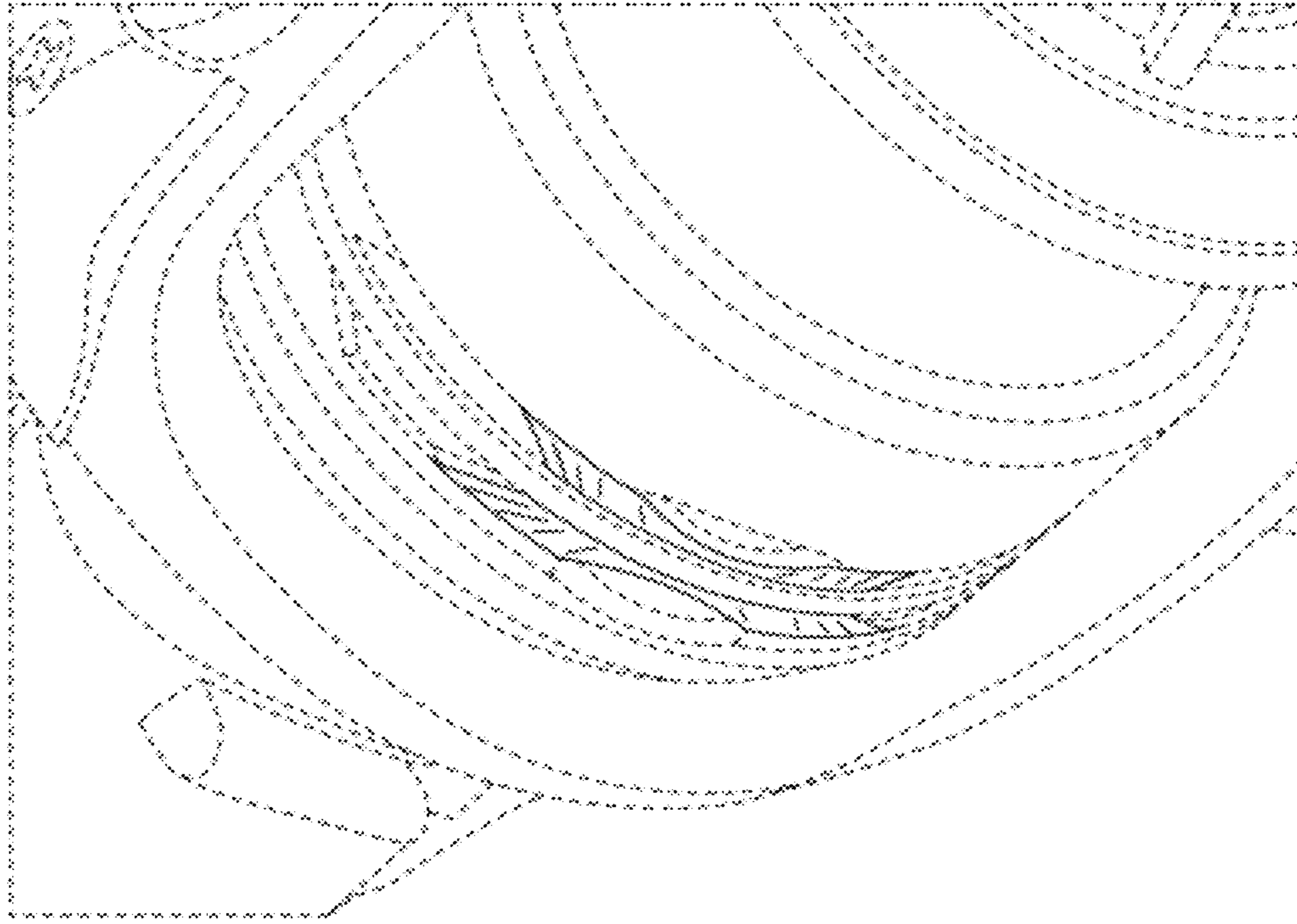


FIG. 9

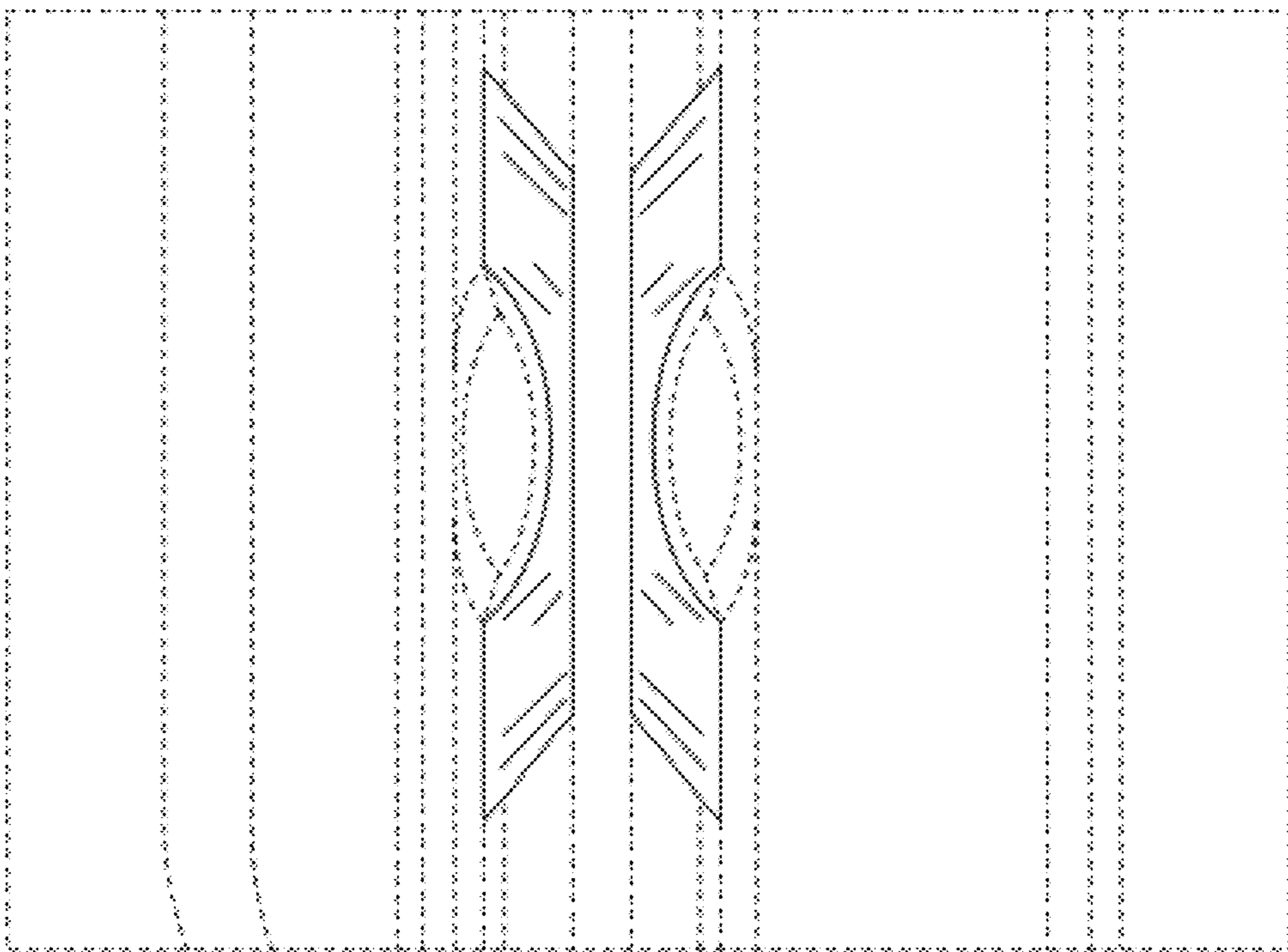


FIG. 10