



US00D674871S

(12) **United States Design Patent**
Hosono

(10) **Patent No.:** **US D674,871 S**
(45) **Date of Patent:** **** Jan. 22, 2013**

(54) **FISHING REEL PORTION**

(74) *Attorney, Agent, or Firm* — Global IP Counselors, LLP

(75) Inventor: **Tomohiro Hosono**, Osaka (JP)

(57) **CLAIM**

(73) Assignee: **Shimano Inc.**, Osaka (JP)

The ornamental design for a fishing reel portion, as shown and described.

(**) Term: **14 Years**

(21) Appl. No.: **29/425,692**

DESCRIPTION

(22) Filed: **Jun. 26, 2012**

(30) **Foreign Application Priority Data**

Jan. 16, 2012 (JP) 2012-000663

FIG. 1 is a first perspective view of a fishing reel with a fishing reel portion in accordance with my new design;
FIG. 2 is a first side elevational view of the fishing reel with the fishing reel portion illustrated in FIG. 1;
FIG. 3 is a second side elevational view of the fishing reel illustrated in FIG. 1, with the fishing reel portion being hidden;
FIG. 4 is a top plan view of the fishing reel with the fishing reel portion illustrated in FIG. 1;
FIG. 5 is a bottom plan view of the fishing reel with the fishing reel portion illustrated in FIG. 1;
FIG. 6 is a front elevational view of the fishing reel with the fishing reel portion illustrated in FIG. 1;
FIG. 7 is a rear elevational view of the fishing reel with the fishing reel portion illustrated in FIG. 1; and
FIG. 8 is an enlarged, partial perspective view of the fishing reel with the fishing reel portion illustrated in FIG. 1; and,
FIG. 9 is an enlarged, partial elevational view of the fishing reel with the fishing reel portion illustrated in FIG. 1.
The broken line illustration of the environmental structure (the remaining structure of the fishing reel) in the drawings is not part of the claimed design.

(51) **LOC (9) Cl.** **22-05**

(52) **U.S. Cl.** **D22/140**

(58) **Field of Classification Search** D22/141,
D22/140, 137-139; 43/4, 18.1, 19, 19.2-21;
242/138, 223-224, 234, 283, 385, 385.4,
242/270

See application file for complete search history.

(56) **References Cited**

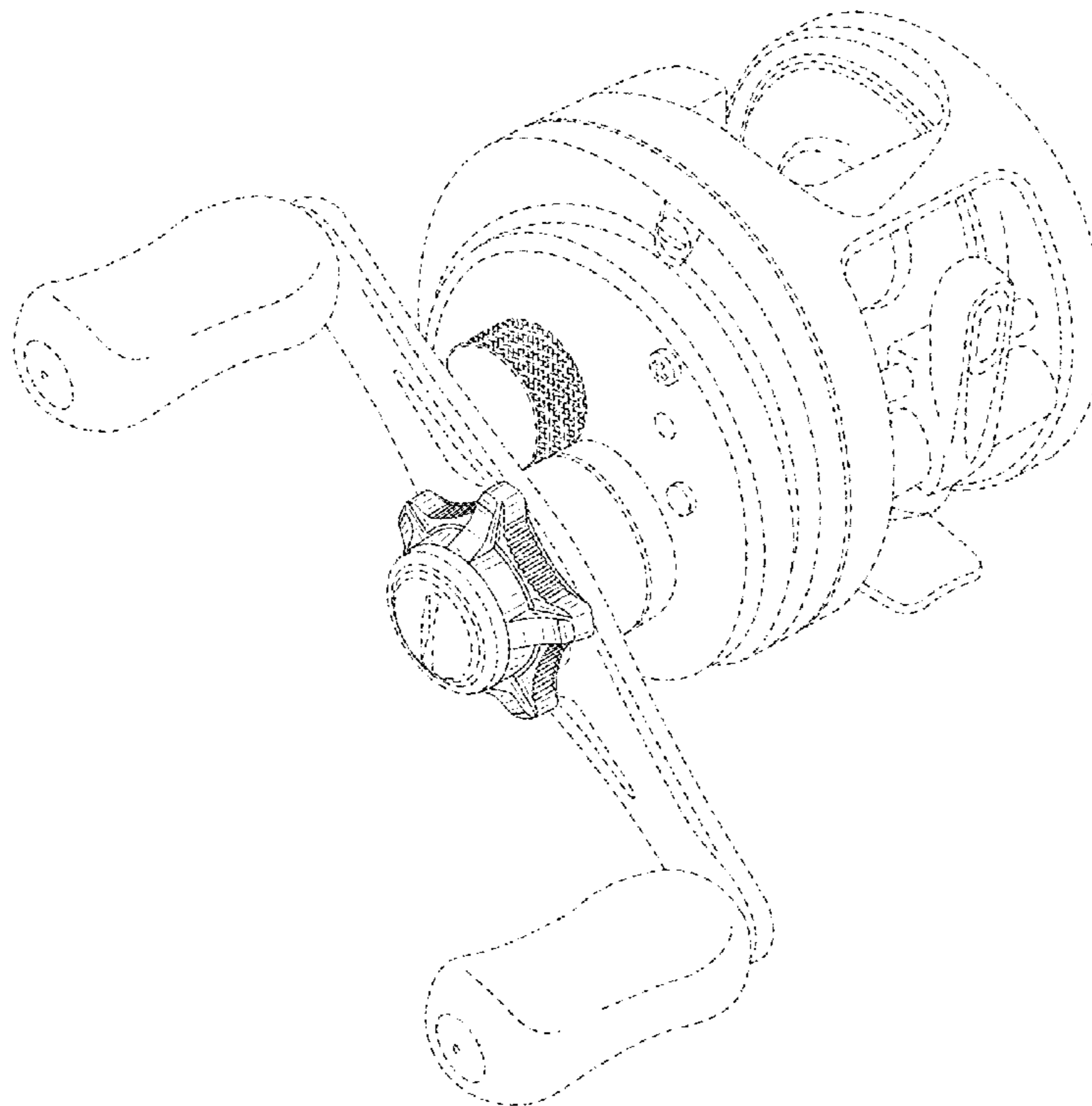
U.S. PATENT DOCUMENTS

2,929,578 A * 3/1960 Dell 242/234
3,166,269 A * 1/1965 Veroli 242/270
D273,973 S * 5/1984 Mack D22/141
D380,521 S * 7/1997 Robbins D22/141

* cited by examiner

Primary Examiner — Catheri Oliver-Garcia

1 Claim, 5 Drawing Sheets



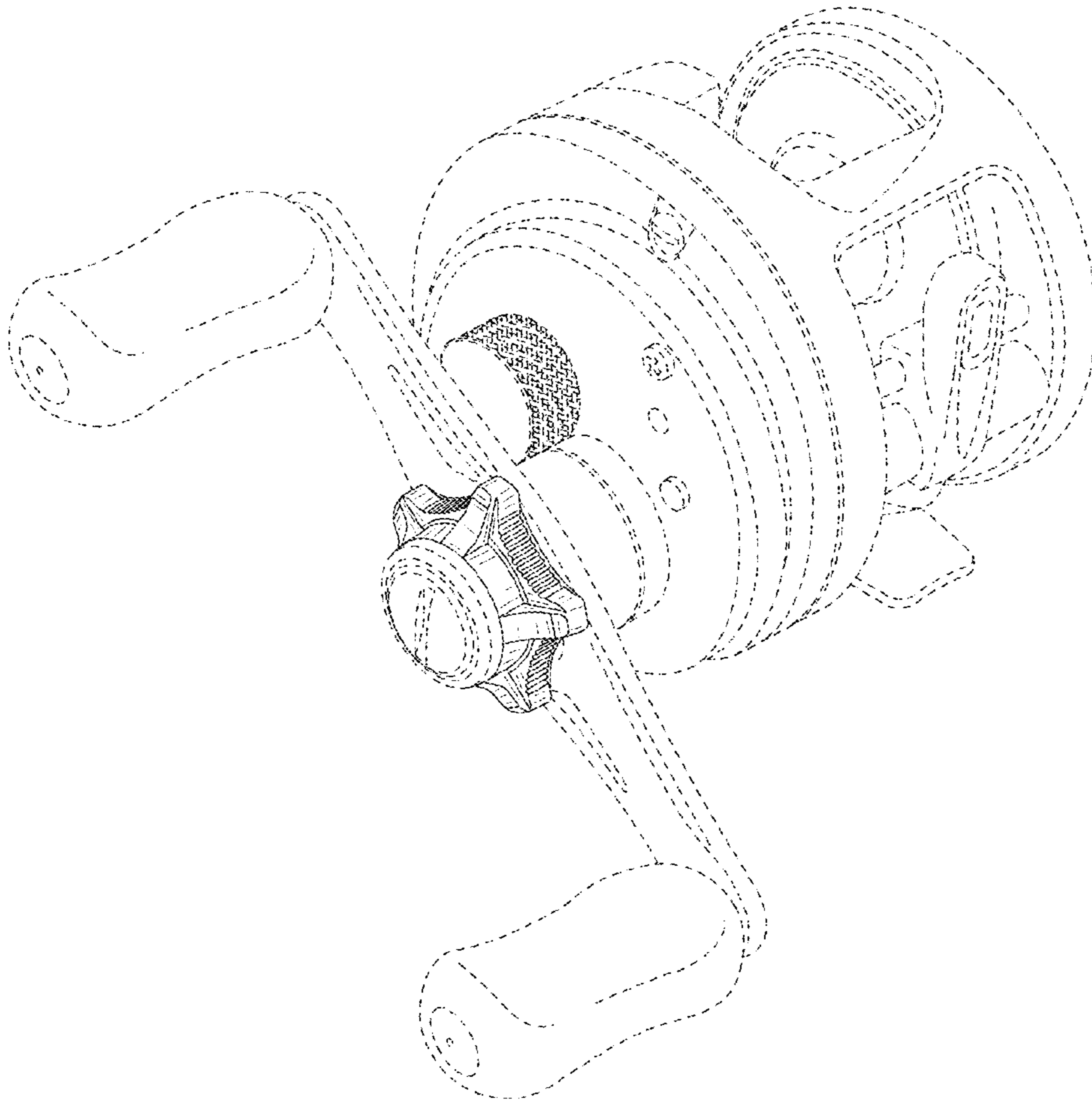


FIG. 1

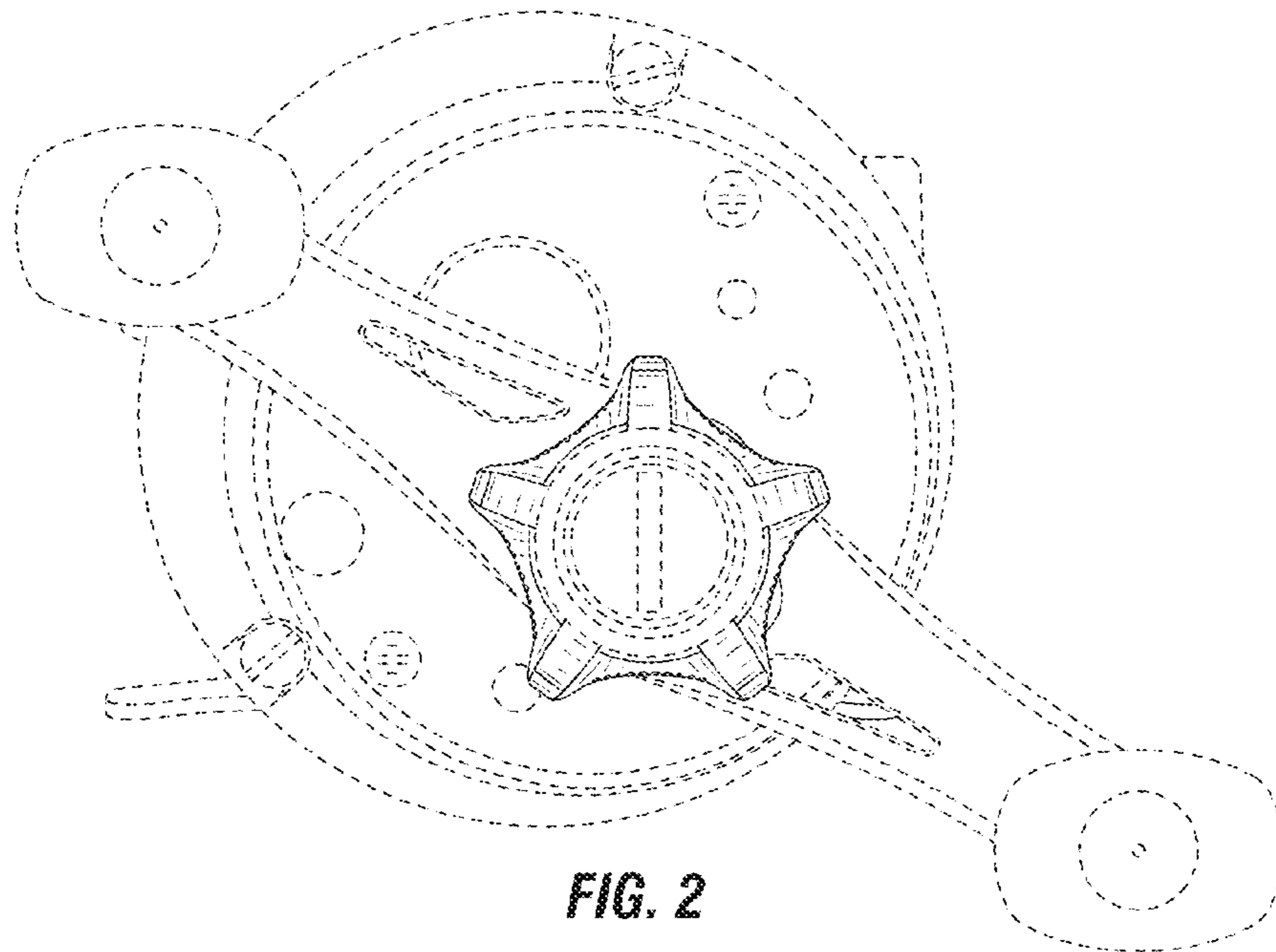


FIG. 2

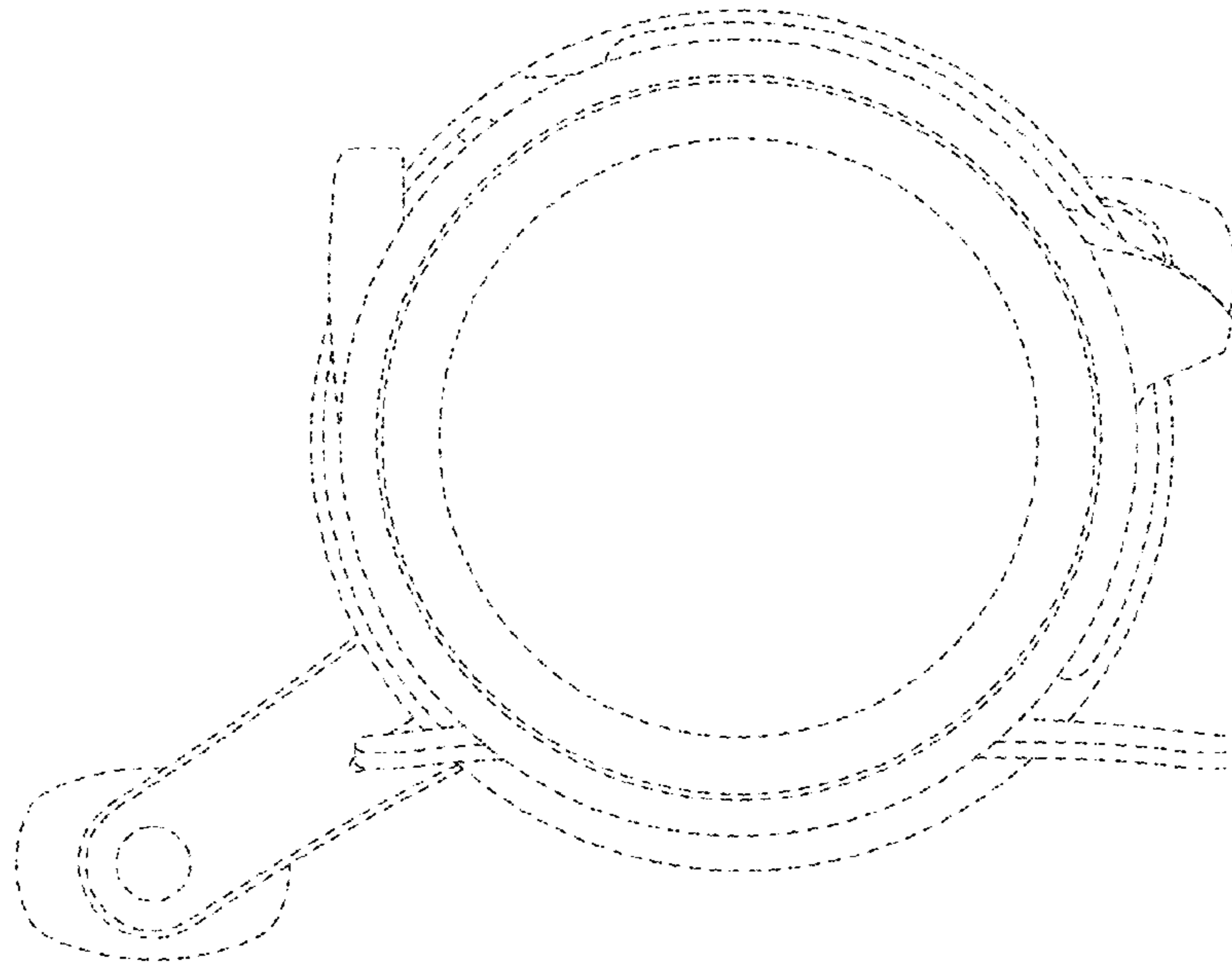


FIG. 3

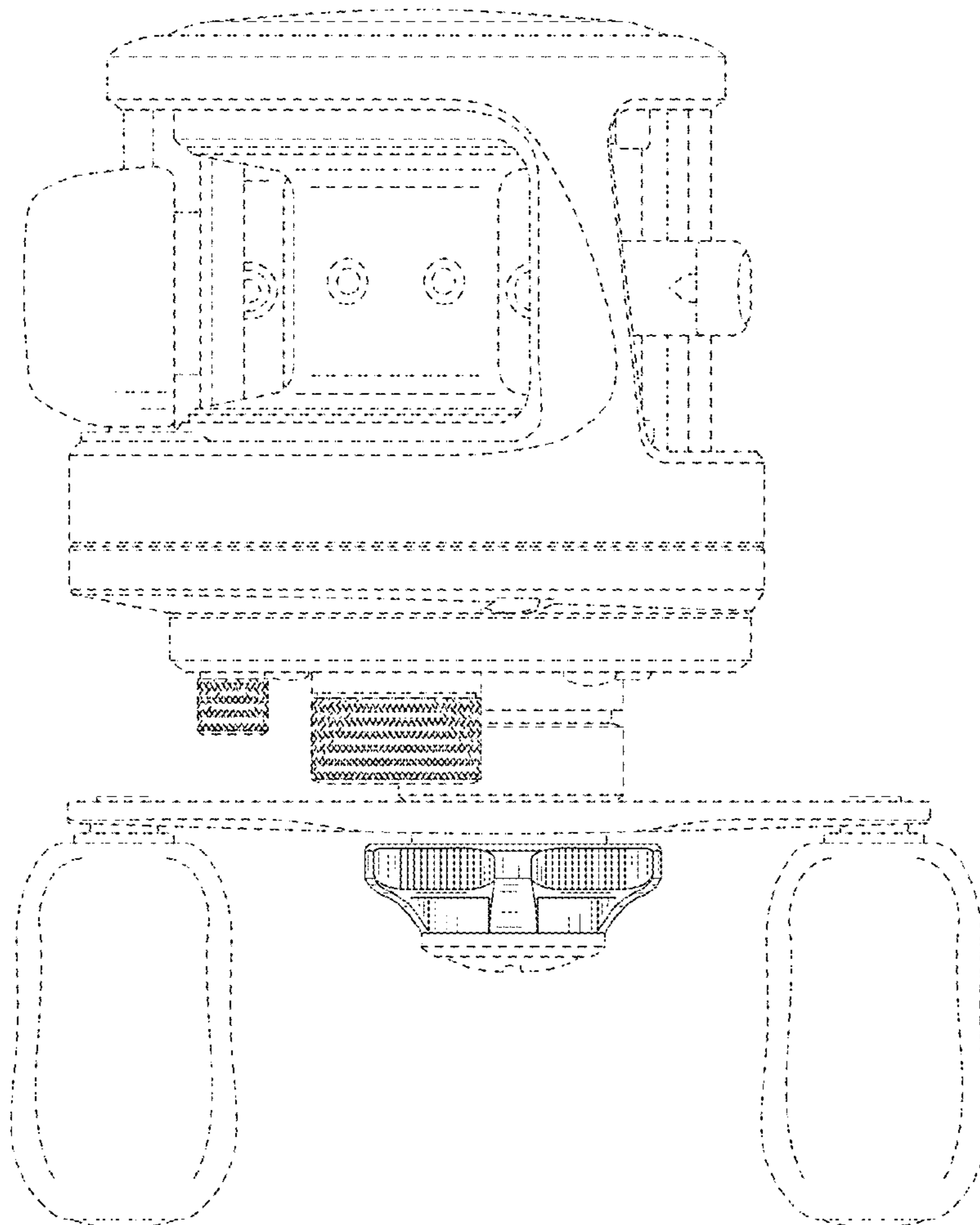


FIG. 4

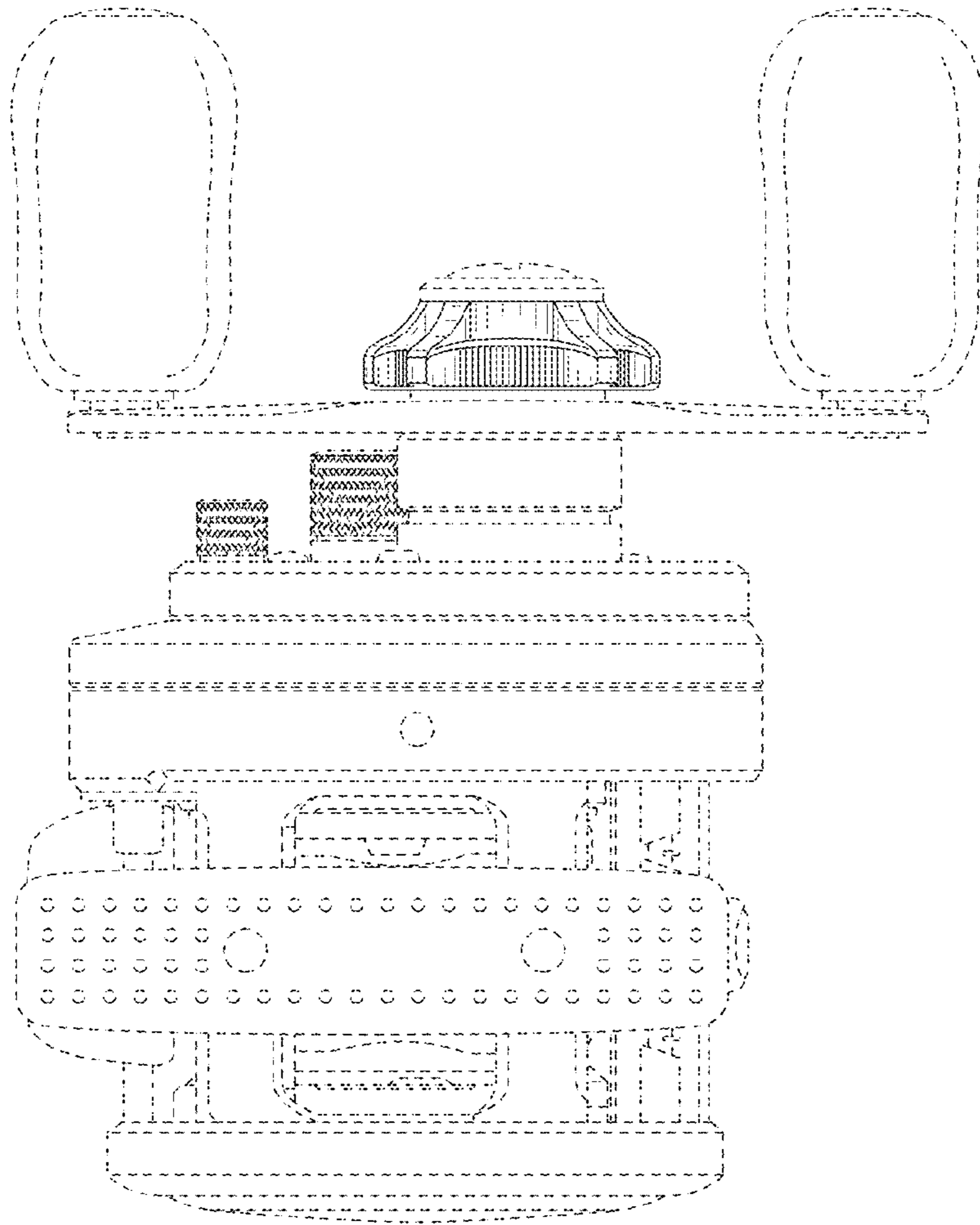


FIG. 5

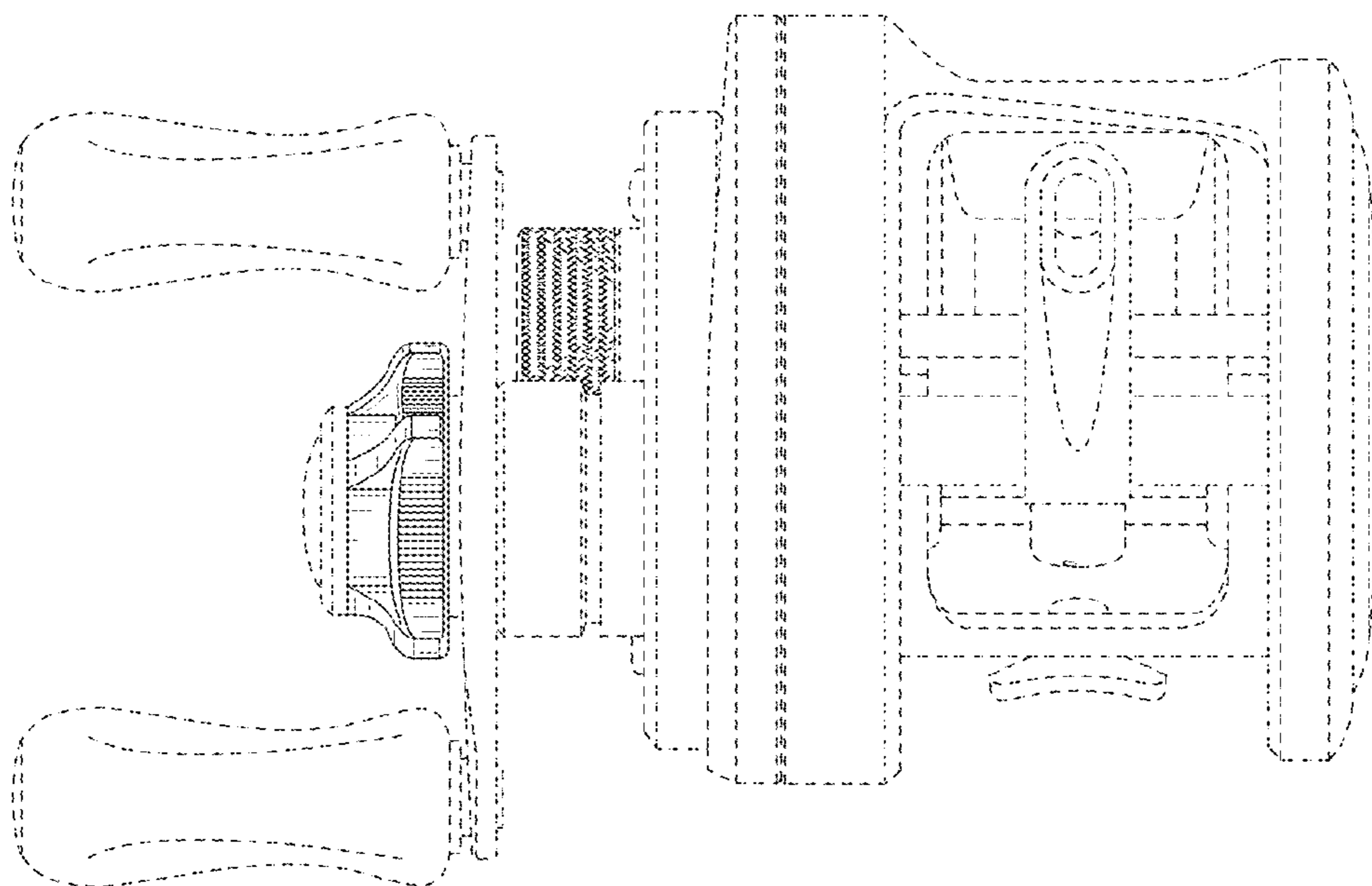


FIG. 6

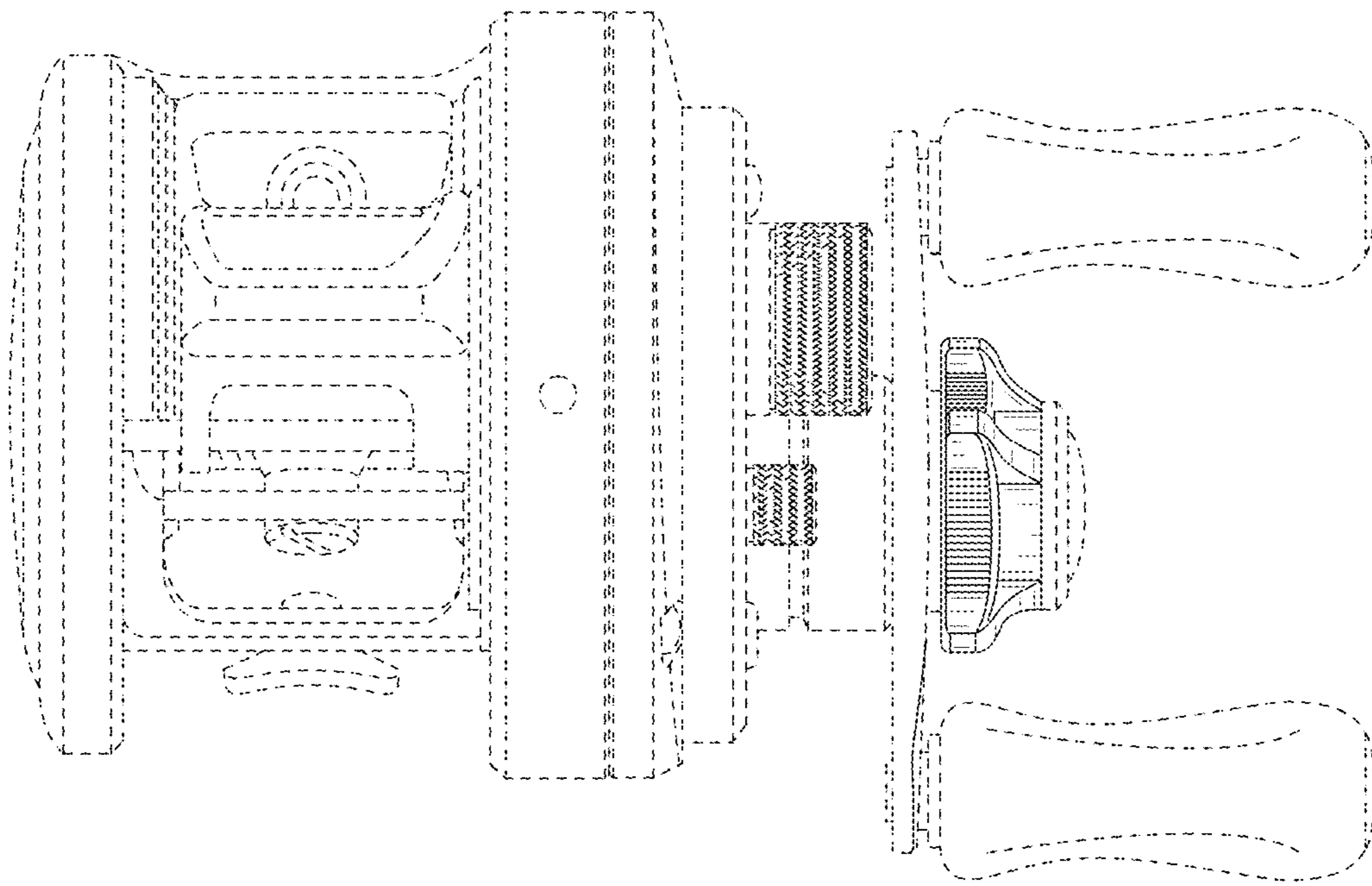


FIG. 7

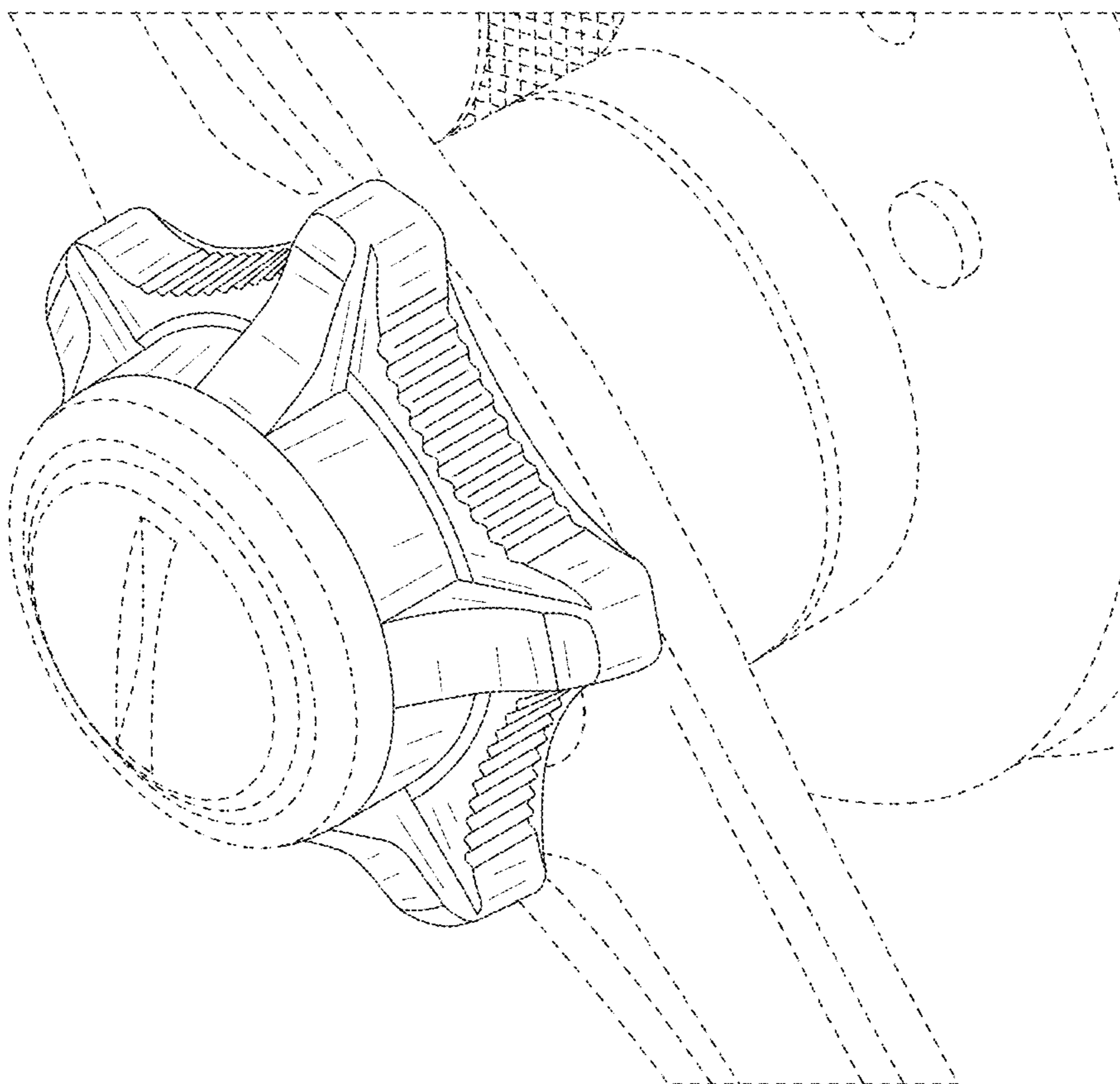


FIG. 8

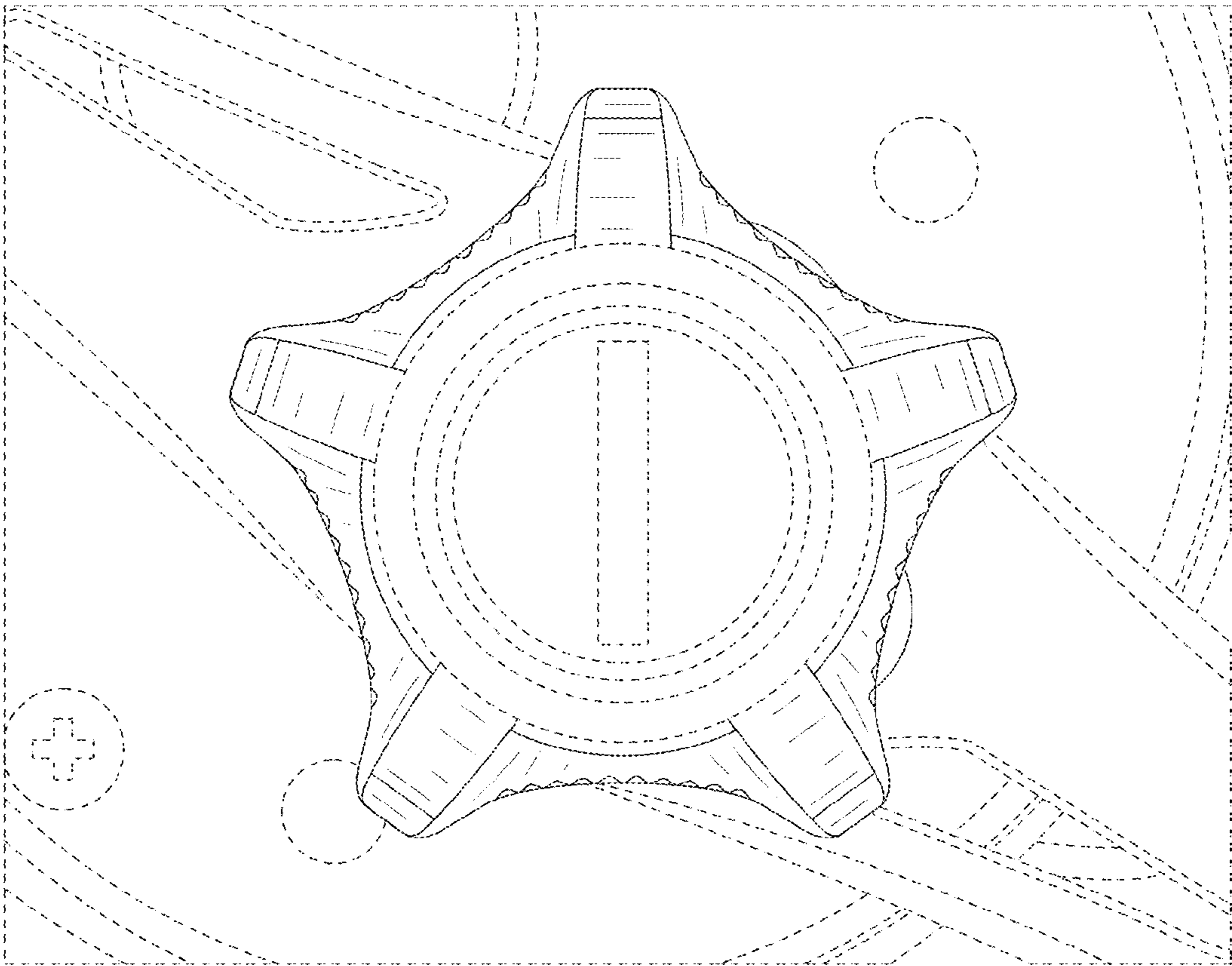


FIG. 9