



US00D674870S

(12) **United States Design Patent**
Hosono

(10) **Patent No.:** **US D674,870 S**

(45) **Date of Patent:** **** Jan. 22, 2013**

(54) **FISHING REEL PORTION**

(74) *Attorney, Agent, or Firm* — Global IP Counselors, LLP

(75) Inventor: **Tomohiro Hosono**, Osaka (JP)

(57) **CLAIM**

The ornamental design for a fishing reel portion, as shown and described.

(73) Assignee: **Shimano Inc.**, Osaka (JP)

(**) Term: **14 Years**

DESCRIPTION

(21) Appl. No.: **29/425,685**

FIG. 1 is a first perspective view of a fishing reel with a fishing reel portion in accordance with my new design;

(22) Filed: **Jun. 26, 2012**

FIG. 2 is a first side elevational view of the fishing reel with the fishing reel portion illustrated in FIG. 1;

(30) **Foreign Application Priority Data**

Jan. 16, 2012 (JP) 2012-000662

FIG. 3 is a second side elevational view of the fishing reel illustrated in FIG. 1, with the fishing reel portion being hidden;

(51) **LOC (9) Cl.** **22-05**

FIG. 4 is a top plan view of the fishing reel with the fishing reel portion illustrated in FIG. 1;

(52) **U.S. Cl.** **D22/140**

FIG. 5 is a bottom plan view of the fishing reel with the fishing reel portion illustrated in FIG. 1;

(58) **Field of Classification Search** D22/140,

D22/137-139, 141; 242/223, 310, 314, 370;

43/19-21

FIG. 6 is a rear elevational view of the fishing reel with the fishing reel portion illustrated in FIG. 1;

See application file for complete search history.

FIG. 7 is a front elevational view of the fishing reel with the fishing reel portion illustrated in FIG. 1; and,

(56) **References Cited**

U.S. PATENT DOCUMENTS

D421,087 S * 2/2000 Kim et al. D22/140

D593,637 S * 6/2009 Kobayashi D22/140

D620,072 S * 7/2010 Noma D22/140

D661,774 S * 6/2012 Nago et al. D22/140

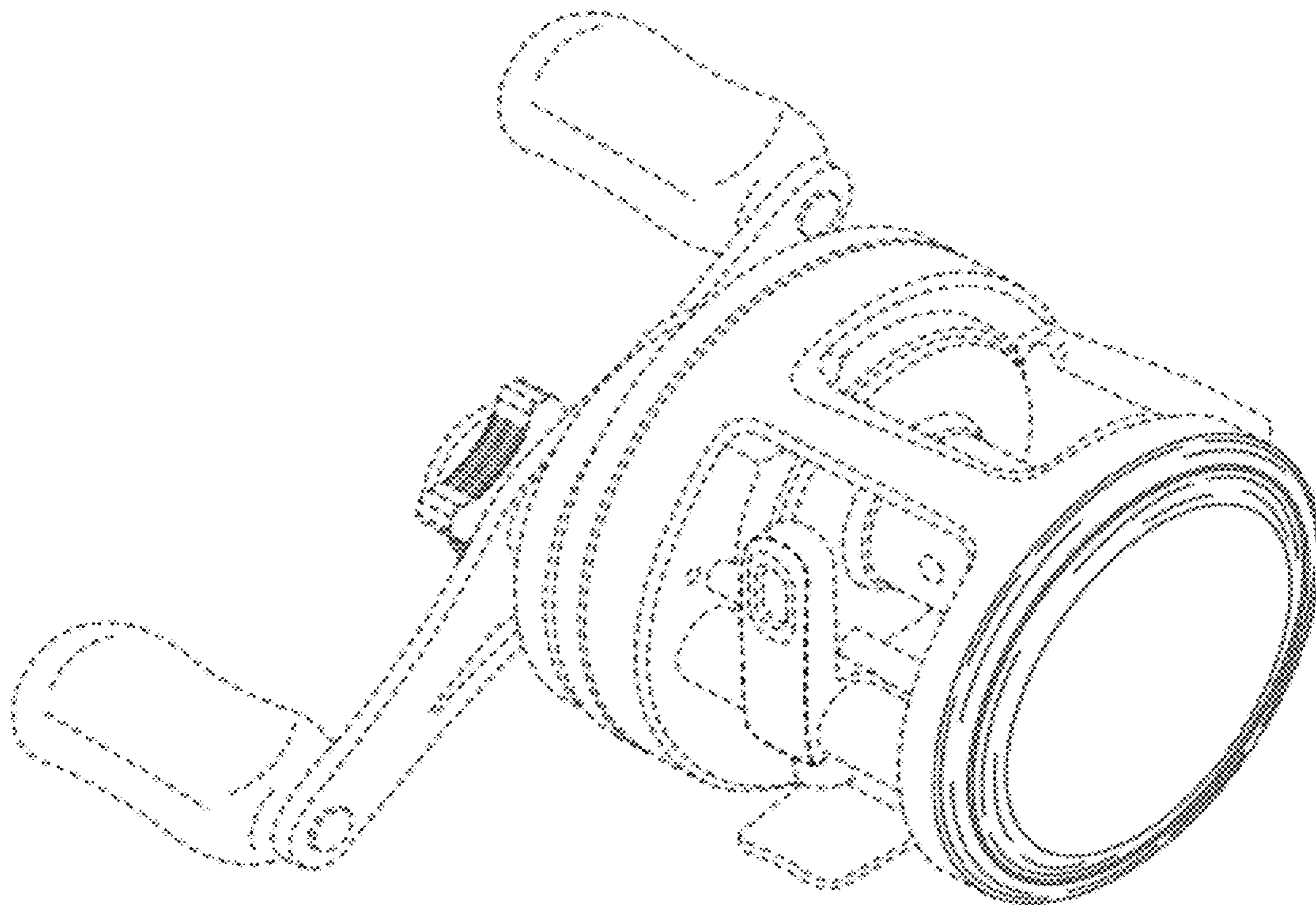
FIG. 8 is a partial cross elevational view of the fishing reel with the fishing reel portion illustrated in FIG. 1 as seen along section line 8-8 of FIG. 2, which illustrates the surface contour of the fishing reel portion.

The broken line illustration of the environmental structure (the remaining structure of the fishing reel) in the drawings is not part of the claimed design.

* cited by examiner

Primary Examiner — Catheri Oliver-Garcia

1 Claim, 4 Drawing Sheets



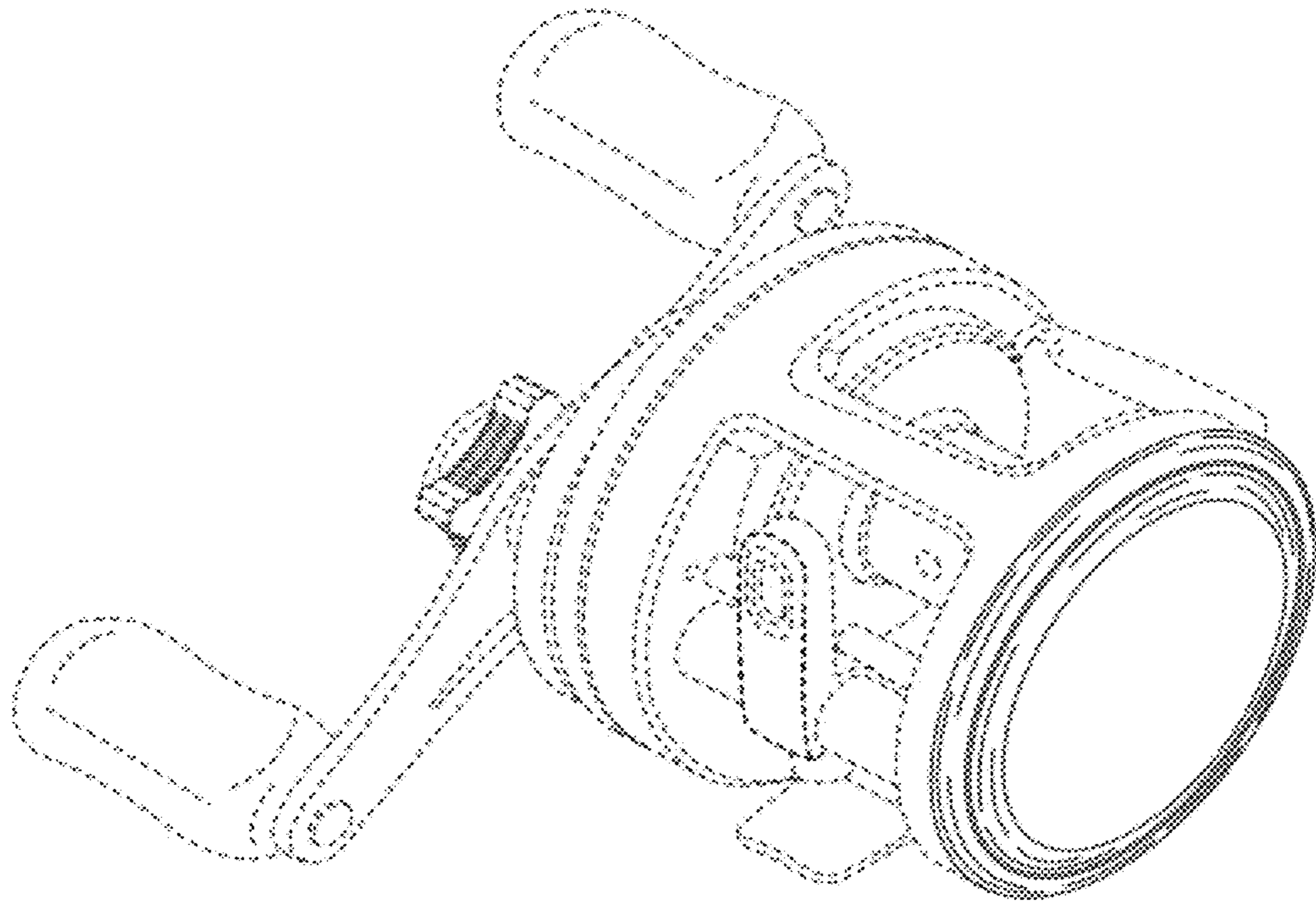


FIG. 1

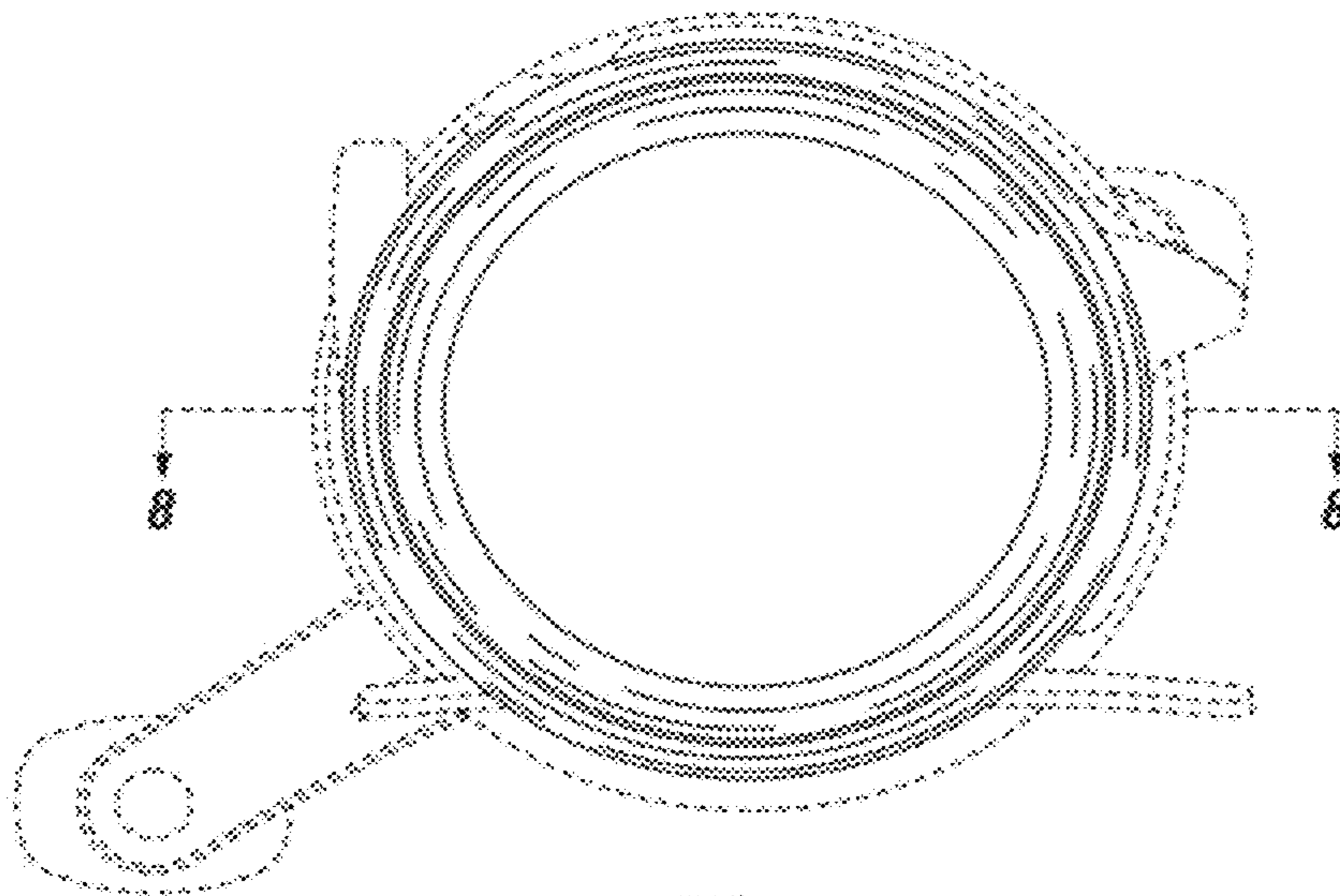


FIG. 2

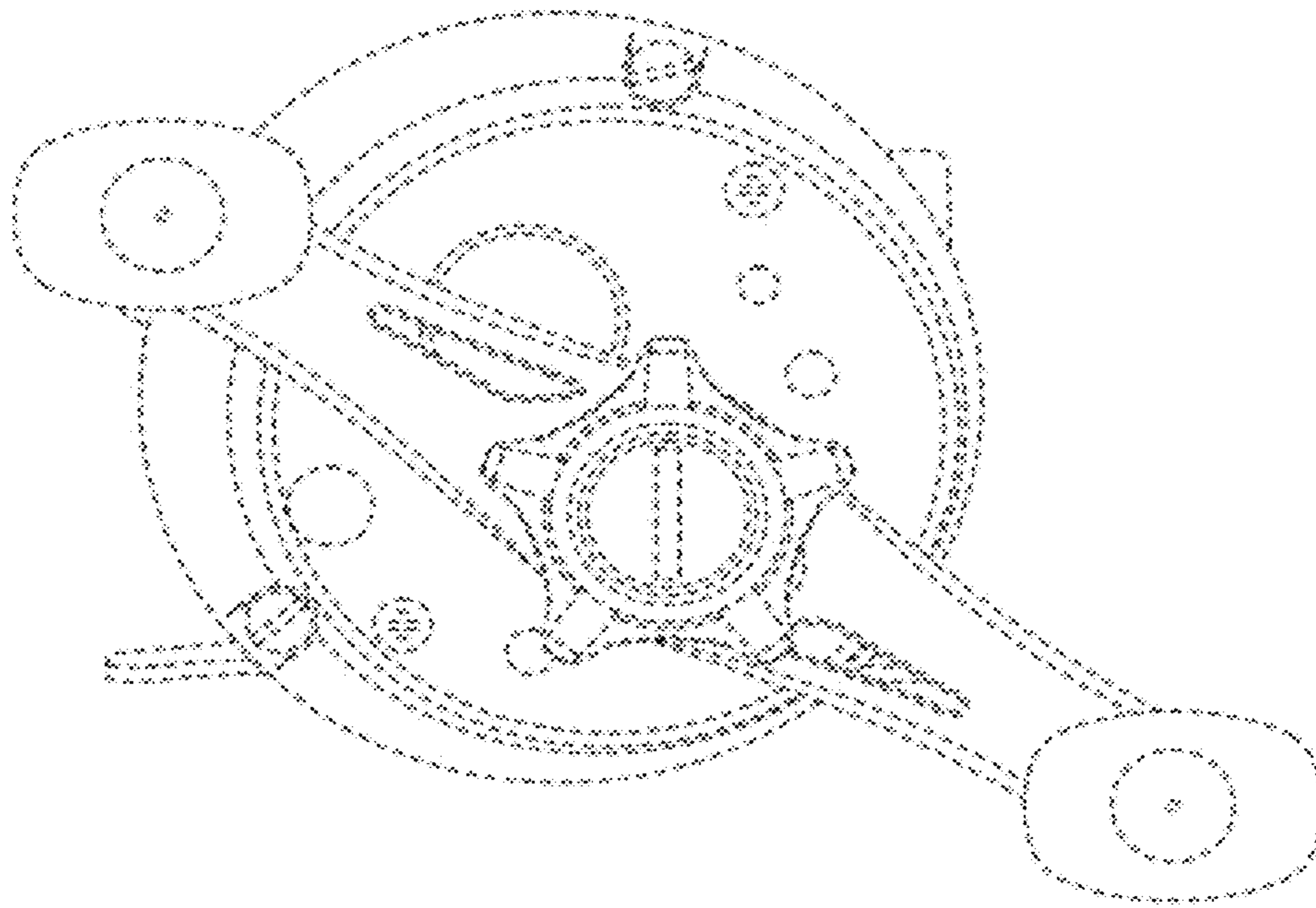


FIG. 3

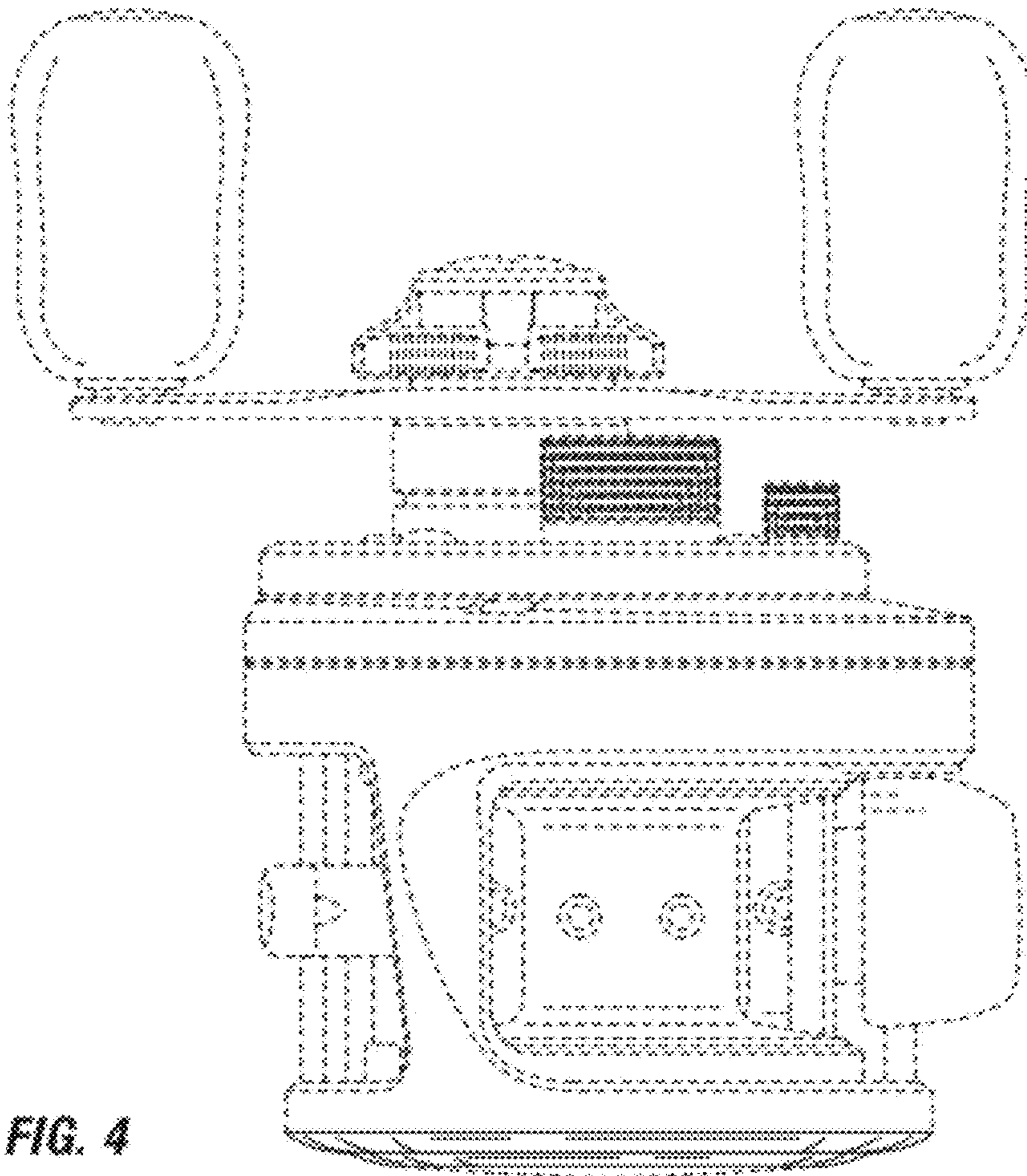


FIG. 4

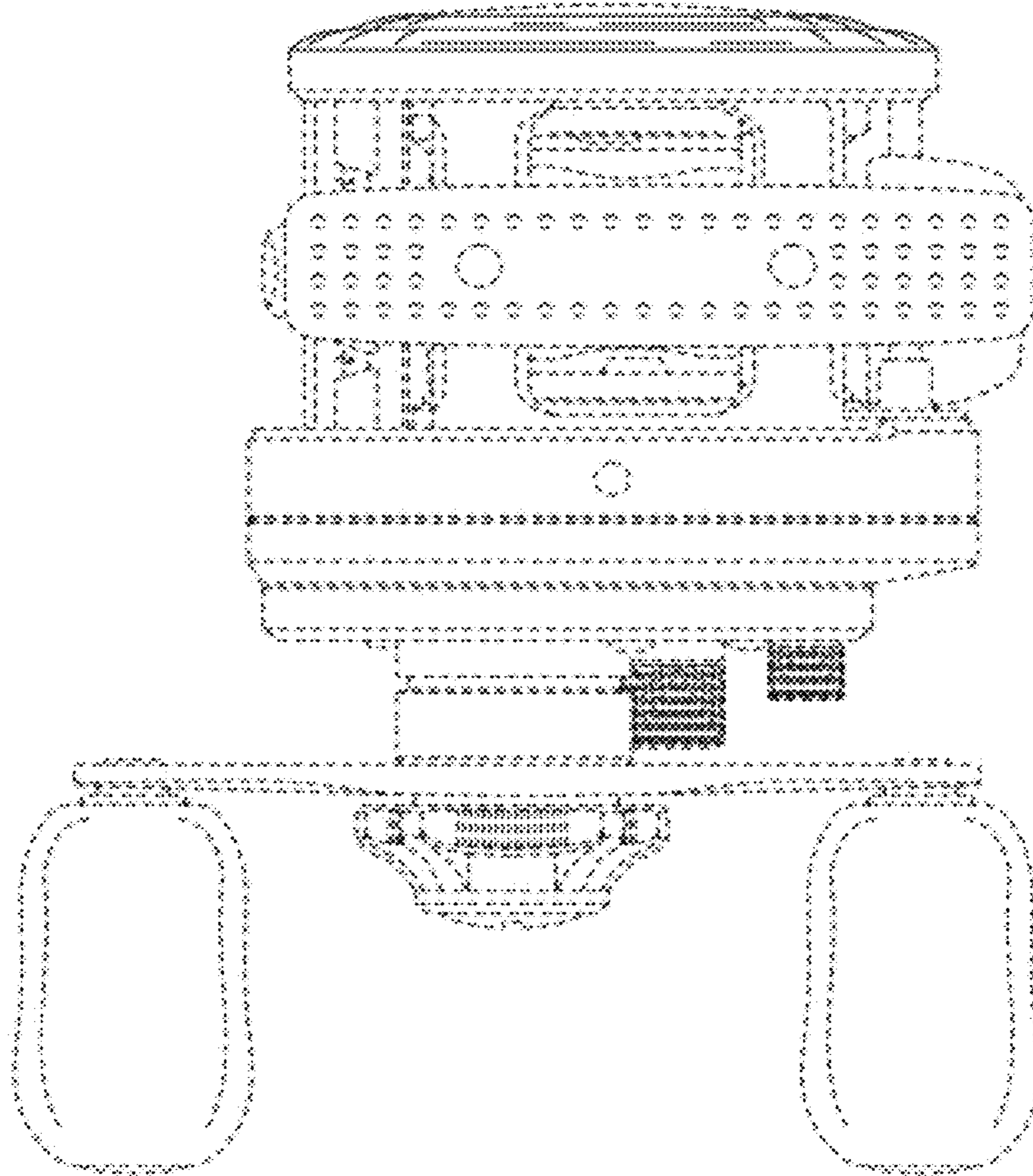


FIG. 5

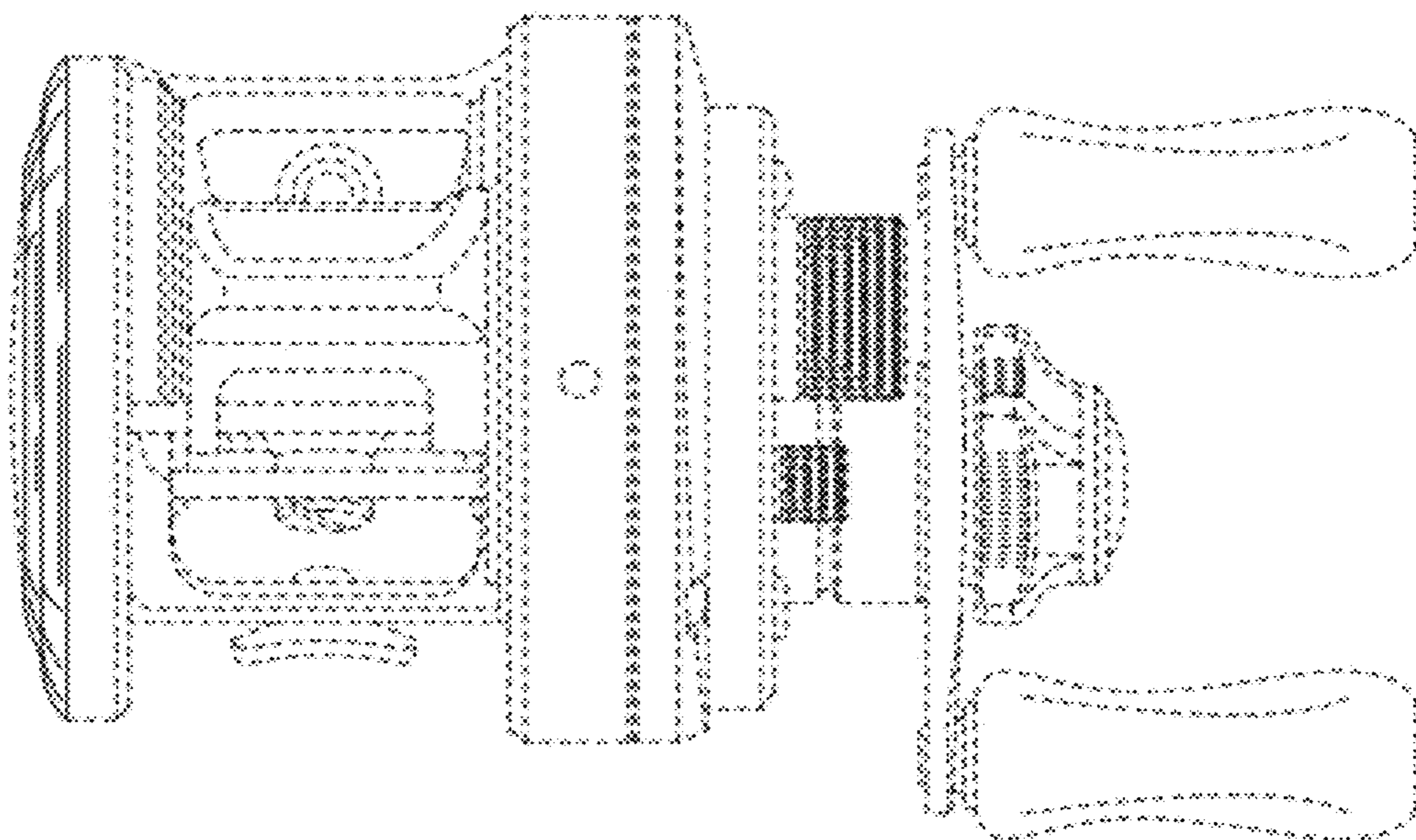


FIG. 6

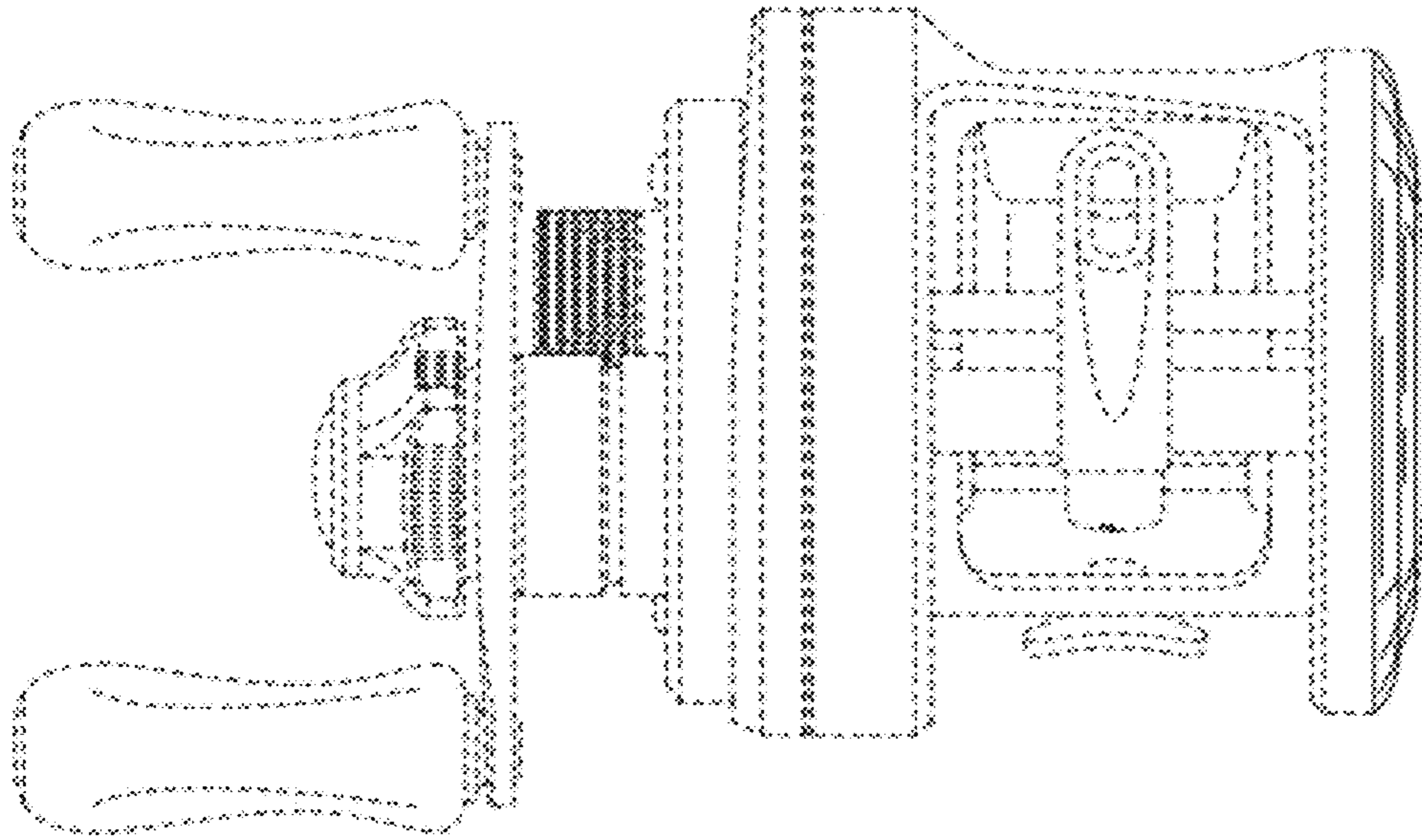


FIG. 7

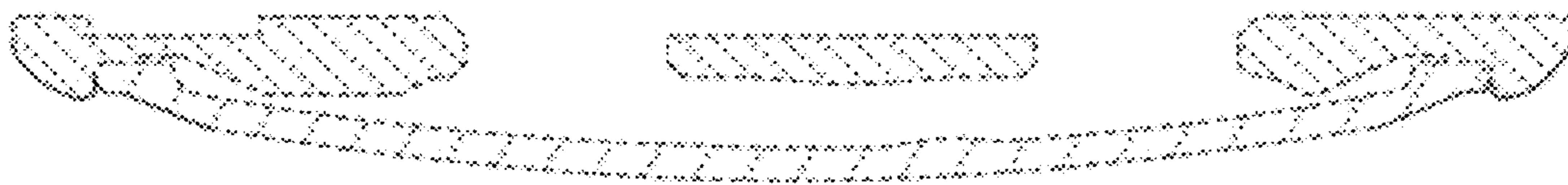


FIG. 8