



US00D674868S

(12) **United States Design Patent**
Deguchi et al.

(10) **Patent No.:** **US D674,868 S**
(45) **Date of Patent:** **** Jan. 22, 2013**

(54) **FISHING REEL**

(75) Inventors: **Tomoya Deguchi**, Osaka (JP); **Natsuki Noma**, Osaka (JP)

(73) Assignee: **Shimano Inc.**, Osaka (JP)

(**) Term: **14 Years**

(21) Appl. No.: **29/425,676**

(22) Filed: **Jun. 26, 2012**

(30) **Foreign Application Priority Data**

Jan. 16, 2012 (JP) 2012-000658

(51) **LOC (9) Cl.** **22-05**

(52) **U.S. Cl.** **D22/140**

(58) **Field of Classification Search** D22/137-139,
D22/140-141; 242/223, 310, 314, 370; 43/19-21
See application file for complete search history.

(56) **References Cited**

U.S. PATENT DOCUMENTS

D500,547 S *	1/2005	Gray	D22/140
7,051,965 B2 *	5/2006	Nishimura	242/310
D578,178 S *	10/2008	Sekimoto et al.	D22/140
D579,075 S *	10/2008	Sekimoto et al.	D22/140
D595,806 S *	7/2009	Nago	D22/140

* cited by examiner

Primary Examiner — Catheri Oliver-Garcia

(74) *Attorney, Agent, or Firm* — Global IP Counselors, LLP

(57) **CLAIM**

The ornamental design for a fishing reel, as shown and described.

DESCRIPTION

FIG. 1 is a first perspective view of a fishing reel in accordance with our new design;

FIG. 2 is a second perspective view of the fishing reel illustrated in FIG. 1;

FIG. 3 is a third perspective view of the fishing reel illustrated in FIG. 1;

FIG. 4 is a fourth perspective view of the fishing reel illustrated in FIG. 1;

FIG. 5 is a front end elevational view of the fishing reel illustrated in FIG. 1;

FIG. 6 is a rear end elevational view of the fishing reel illustrated in FIG. 1;

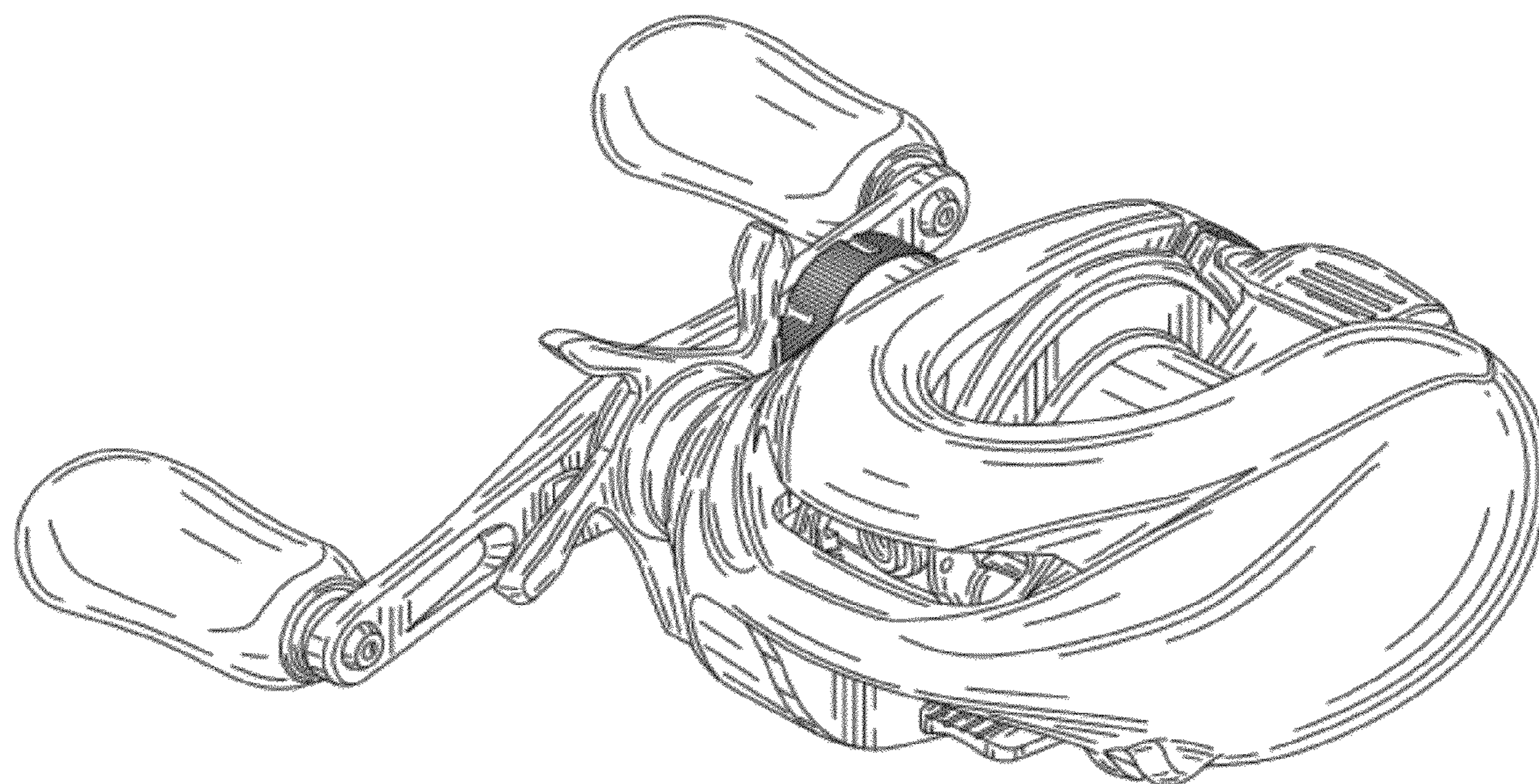
FIG. 7 is a top plan view of the fishing reel illustrated in FIG. 1;

FIG. 8 is a bottom plan view of the fishing reel illustrated in FIG. 1;

FIG. 9 is a first side elevational view of the fishing reel illustrated in FIG. 1; and,

FIG. 10 is a second side elevational view of the fishing reel illustrated in FIG. 1.

1 Claim, 5 Drawing Sheets



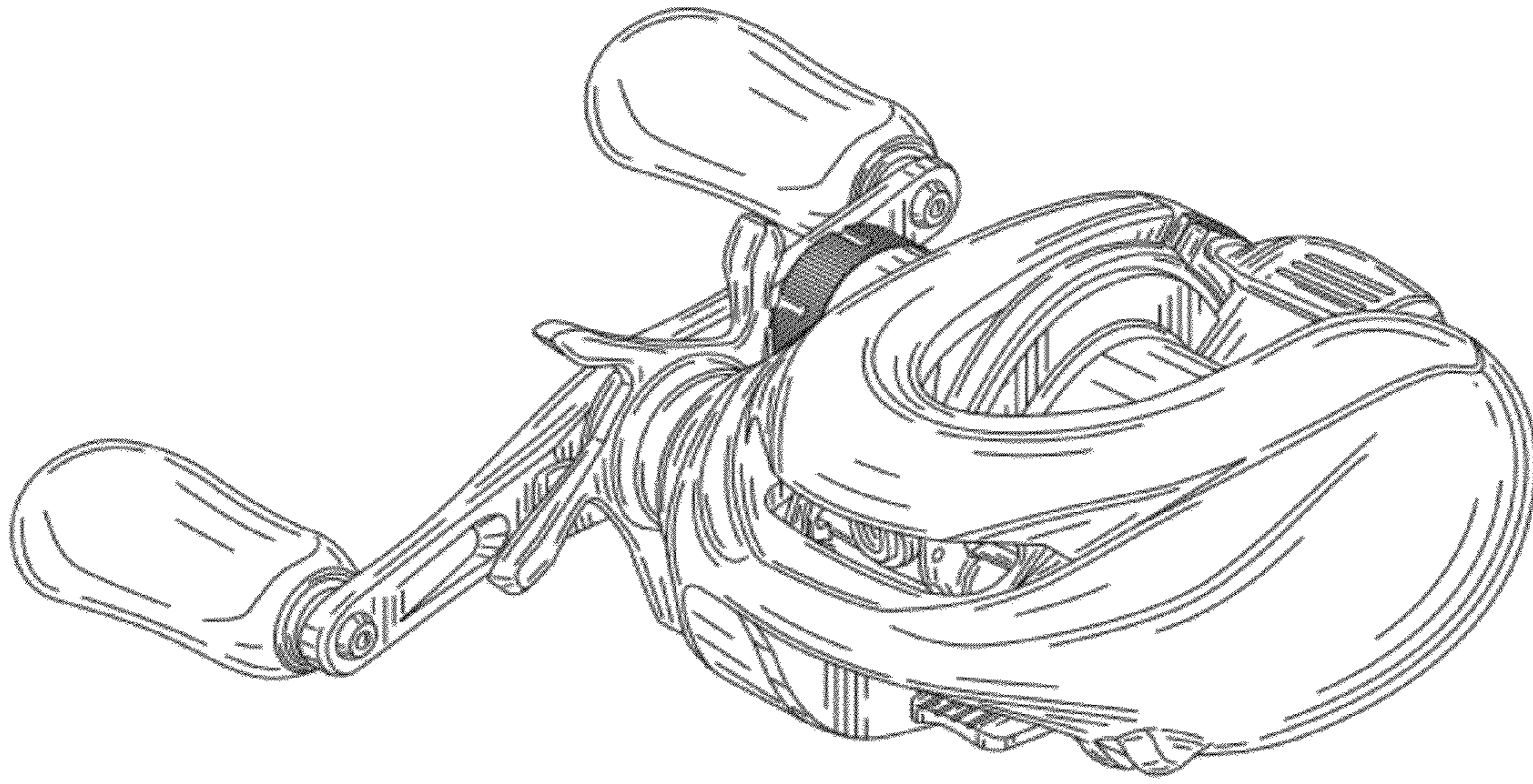


FIG. 1

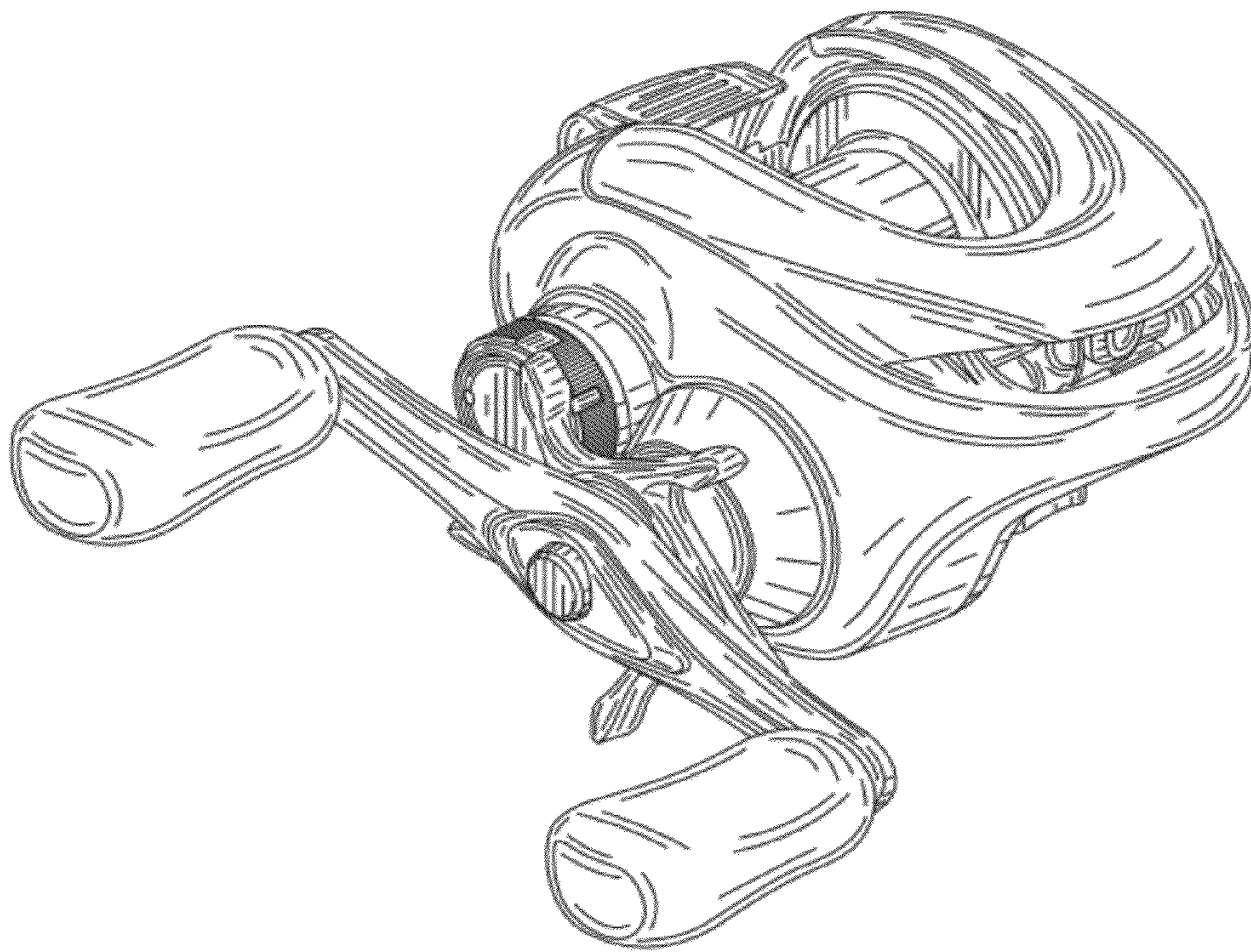


FIG. 2

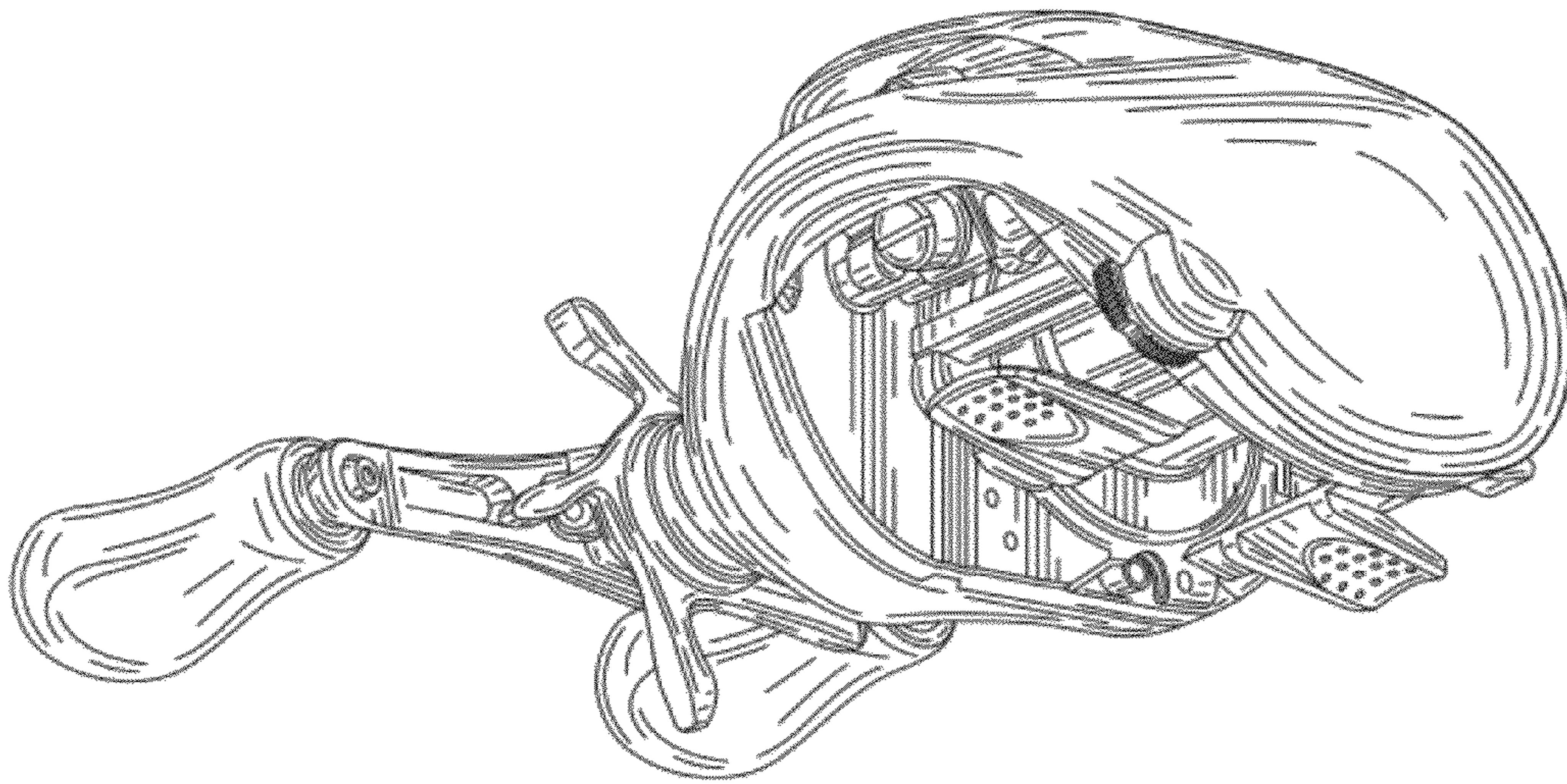


FIG. 3

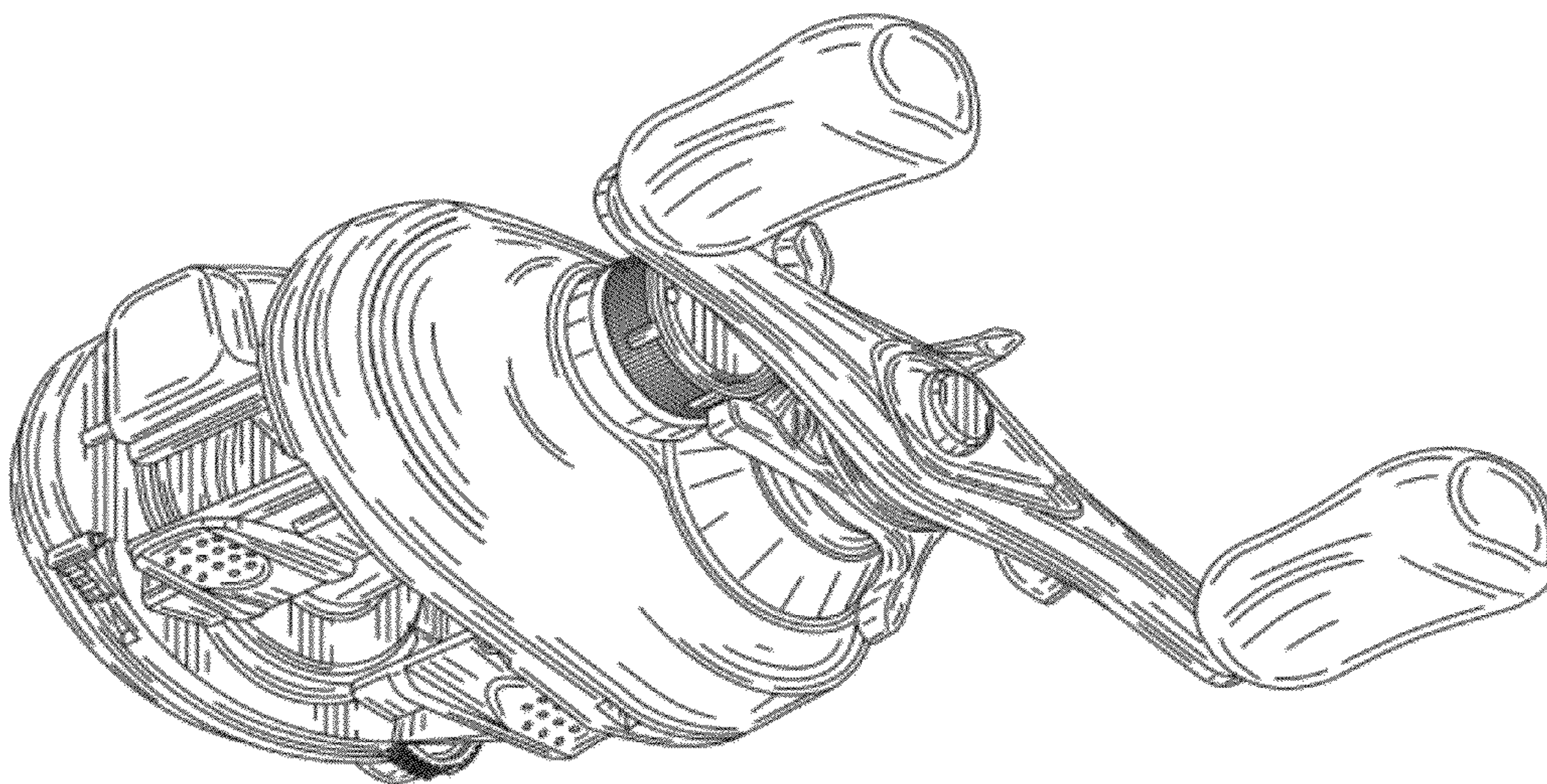


FIG. 4

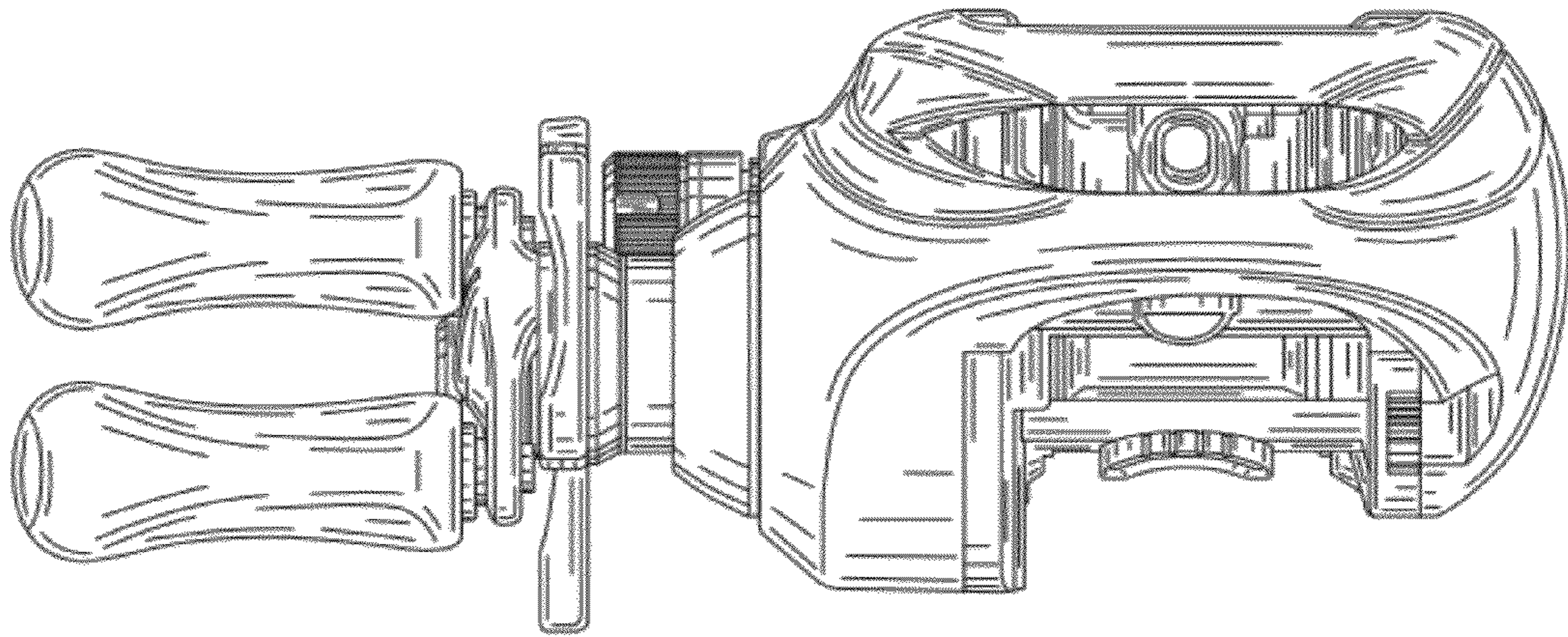


FIG. 5

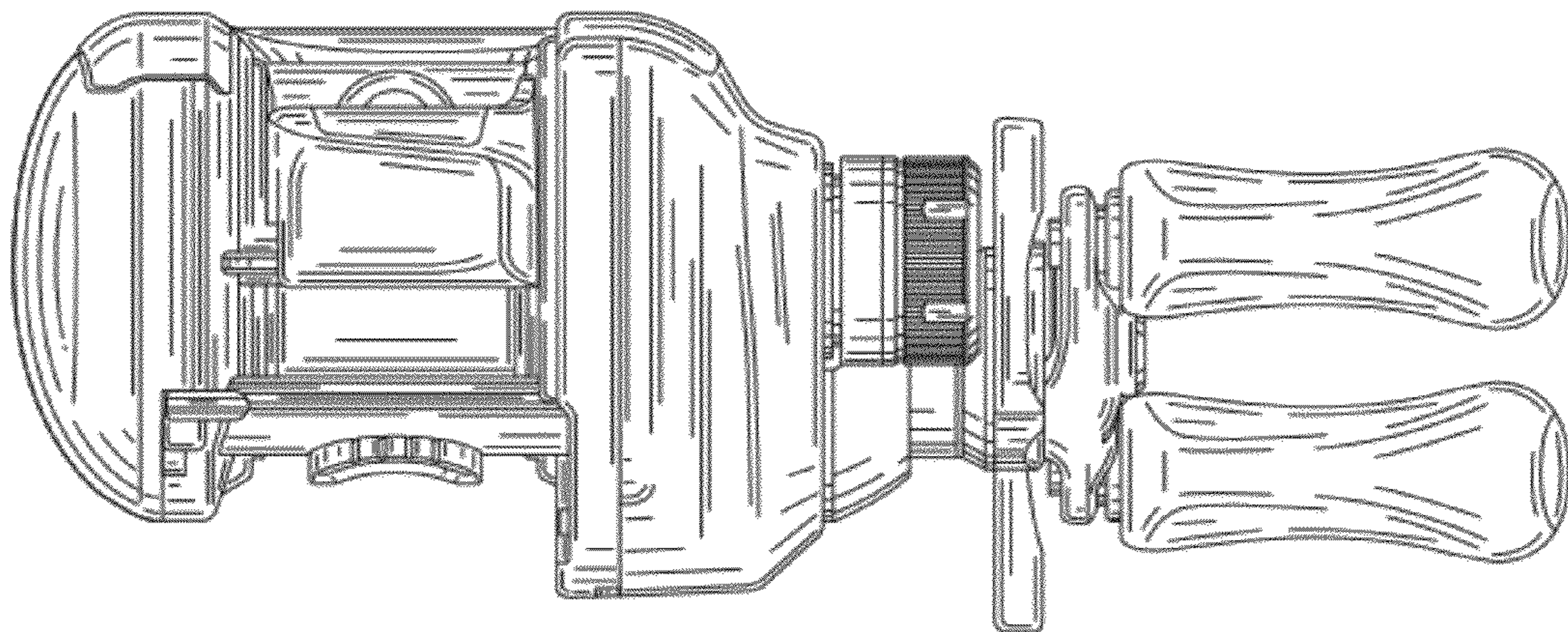


FIG. 6

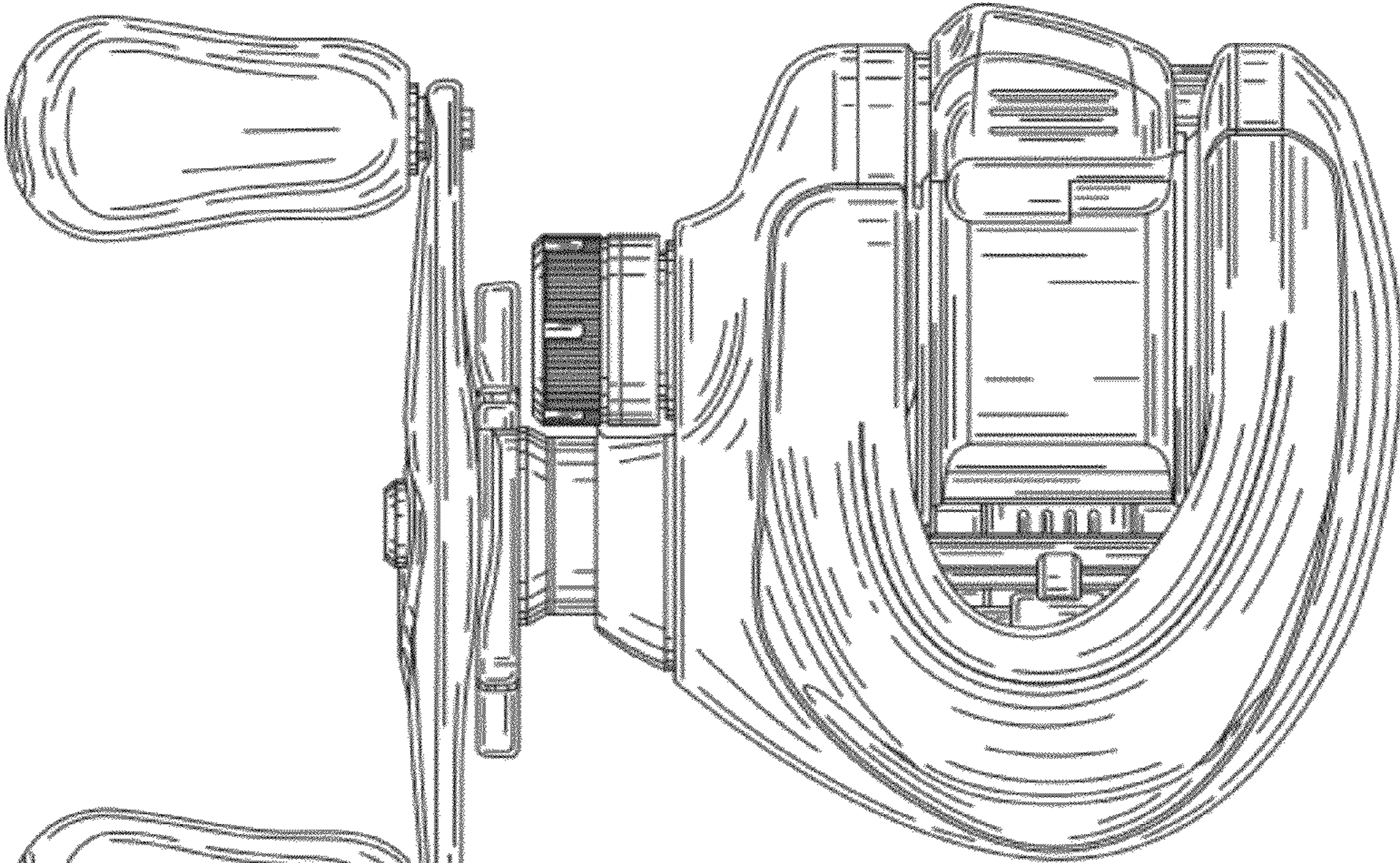


FIG. 7

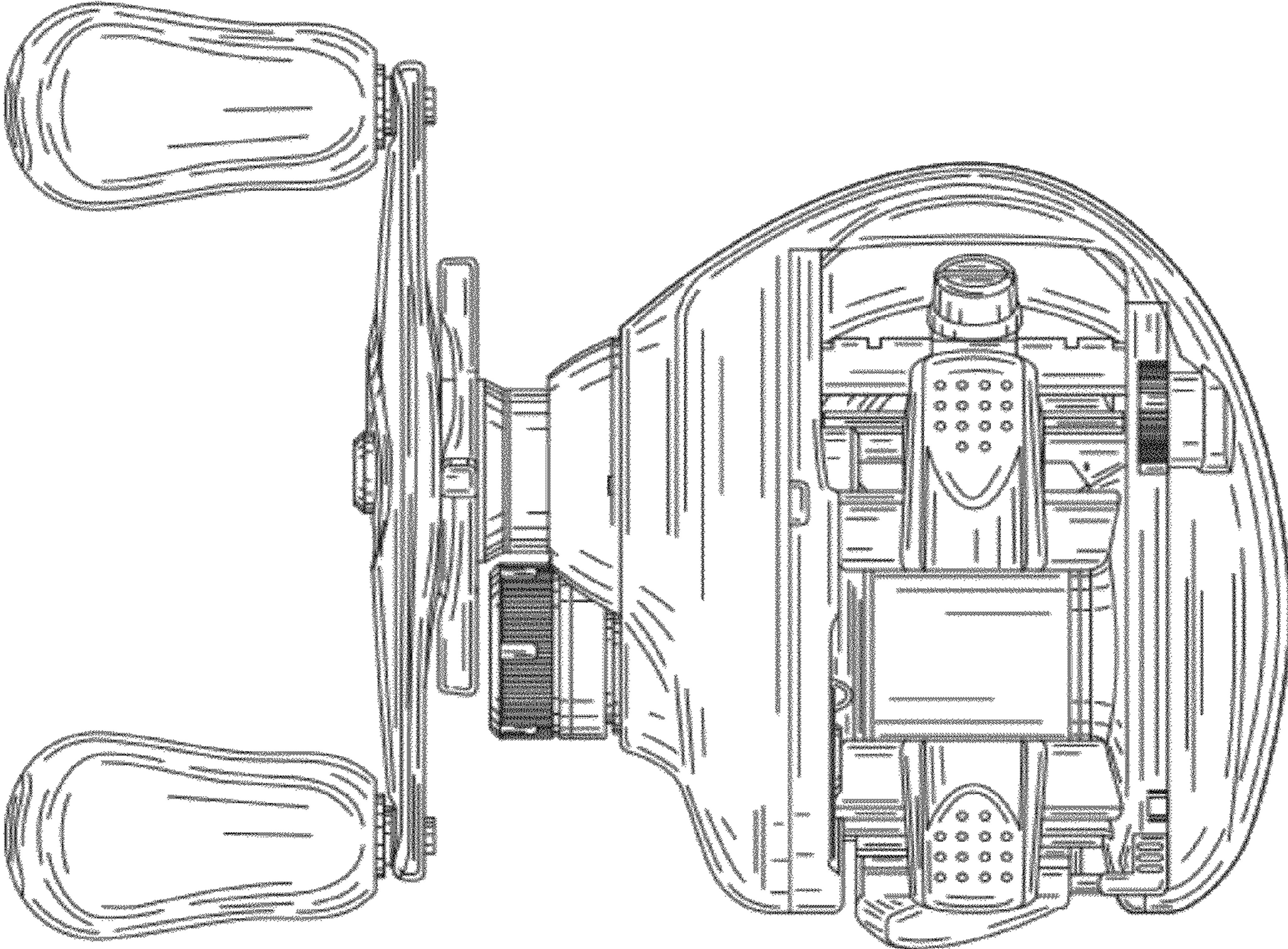


FIG. 8

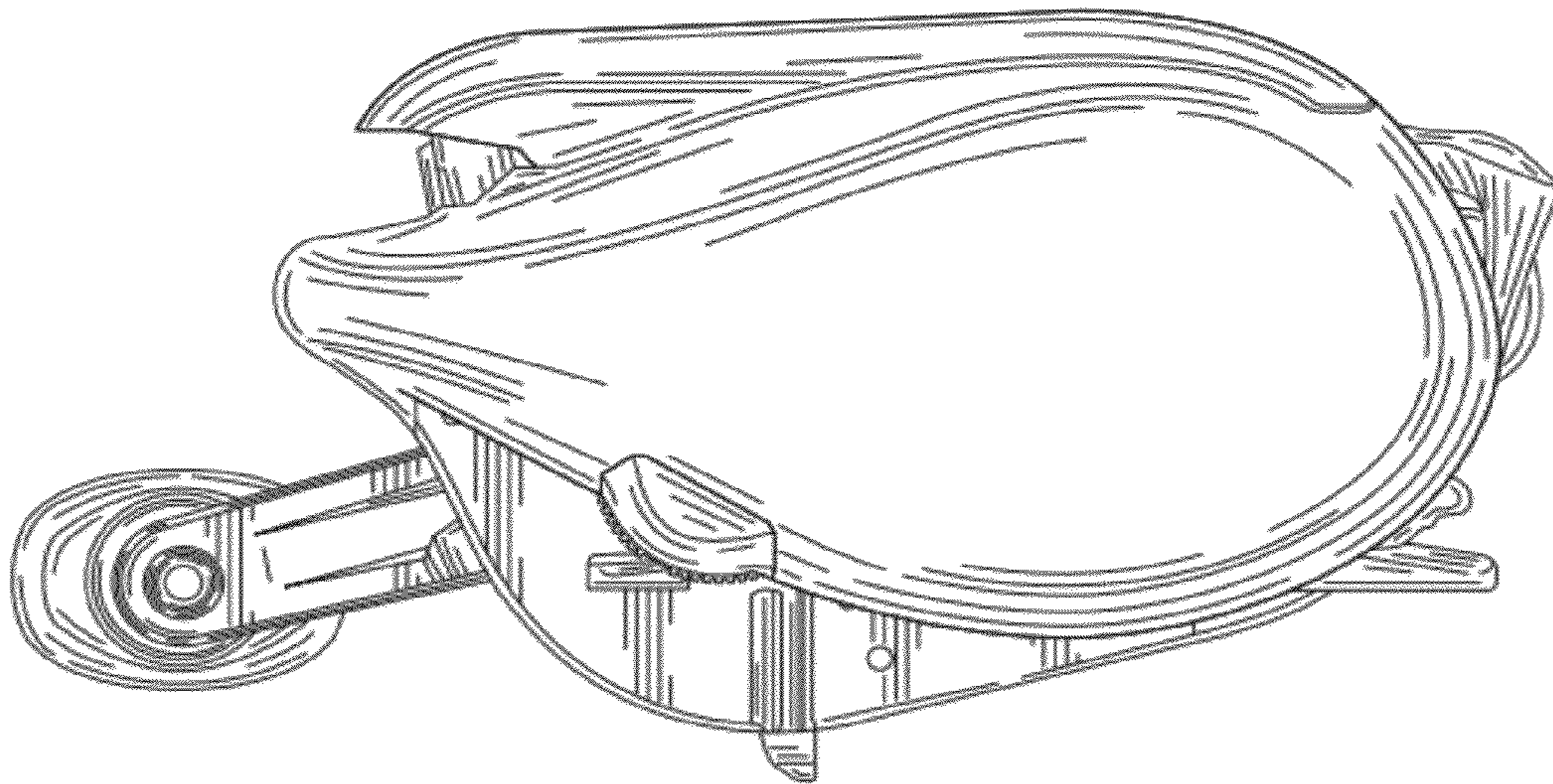


FIG. 9

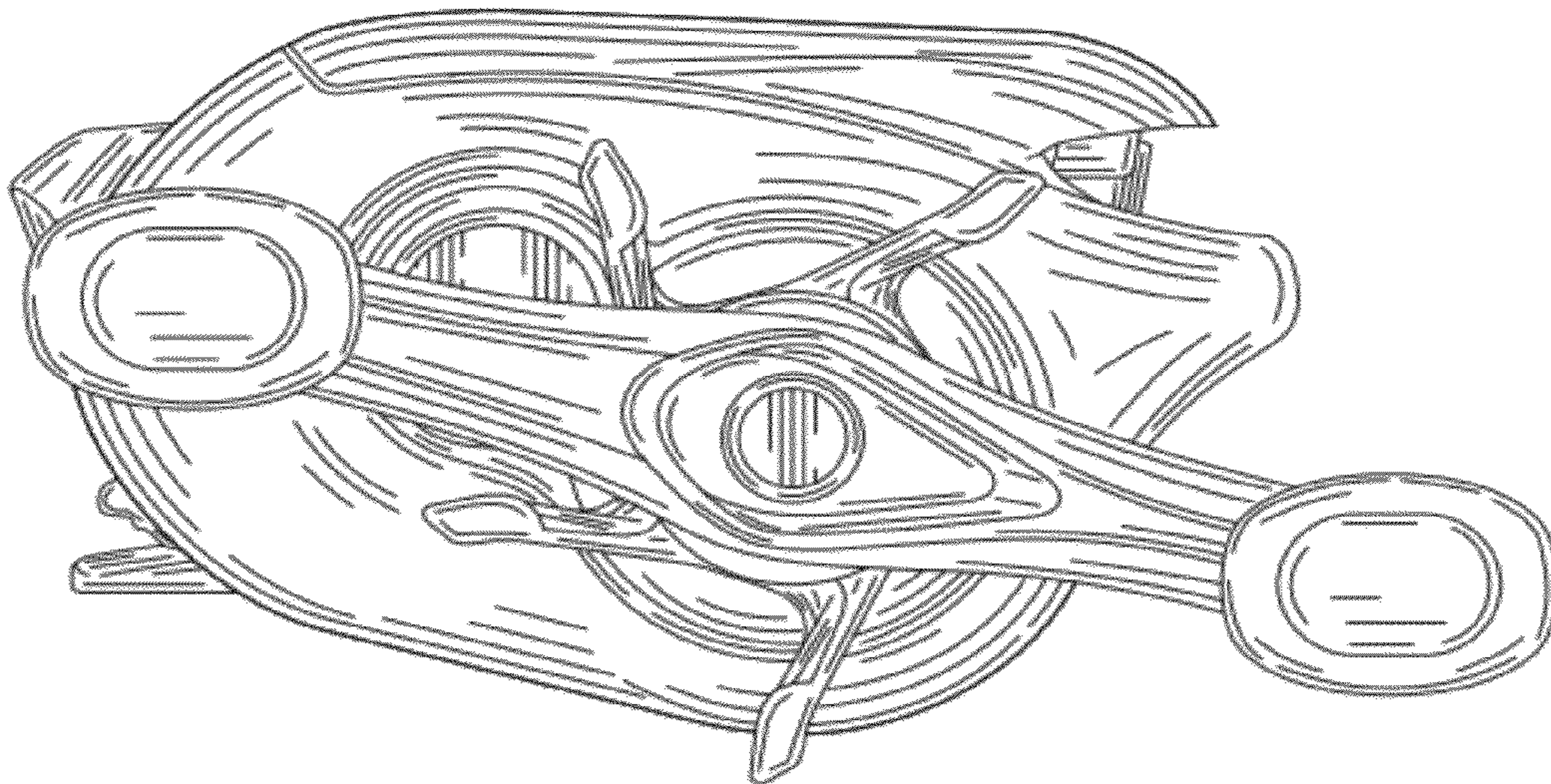


FIG. 10