



US00D674867S

(12) **United States Design Patent**
Tabuse et al.

(10) **Patent No.:** **US D674,867 S**
(45) **Date of Patent:** **** Jan. 22, 2013**

(54) **FISHING REEL PORTION**

DESCRIPTION

(75) Inventors: **Jun Tabuse**, Osaka (JP); **Akira Nago**, Osaka (JP)

FIG. 1 is a first perspective view of a fishing reel with a fishing reel portion in accordance with our new design;

(73) Assignee: **Shimano Inc.**, Osaka (JP)

FIG. 2 is a second perspective view of the fishing reel with the fishing reel portion illustrated in FIG. 1;

(**) Term: **14 Years**

FIG. 3 is a first side elevational view of the fishing reel illustrated in FIG. 1, with the fishing reel portion being hidden;

(21) Appl. No.: **29/424,318**

FIG. 4 is a second side elevational view of the fishing reel illustrated in FIG. 1, with the fishing reel portion being hidden;

(22) Filed: **Jun. 11, 2012**

FIG. 5 is a top plan view of the fishing reel illustrated in FIG. 1, with the fishing reel portion being hidden;

(30) **Foreign Application Priority Data**

Dec. 22, 2011 (JP) 2011-029789

FIG. 6 is a bottom plan view of the fishing reel with the fishing reel portion illustrated in FIG. 1;

(51) **LOC (9) Cl.** **22-05**

FIG. 7 is a rear elevational view of the fishing reel illustrated in FIG. 1, with the fishing reel portion being hidden;

(52) **U.S. Cl.** **D22/140**

FIG. 8 is a front elevational view of the fishing reel illustrated in FIG. 1, with the fishing reel portion being hidden;

(58) **Field of Classification Search** D22/137-142;

242/223-224, 310, 314, 323, 370; 43/19-21
See application file for complete search history.

FIG. 9 is a first enlarged, partial perspective view of the fishing reel with the fishing reel portion illustrated in FIG. 1;

(56) **References Cited**

U.S. PATENT DOCUMENTS

D299,510 S * 1/1989 Inuma et al. D22/140
(Continued)

FIG. 10 is a second enlarged, partial perspective view of the fishing reel with the fishing reel portion illustrated in FIG. 1;

FOREIGN PATENT DOCUMENTS

JP 1413856 S 5/2011
(Continued)

FIG. 11 is an enlarged, partial bottom plan view of the fishing reel with the fishing reel portion illustrated in FIG. 1; and,

Primary Examiner — Catheri Oliver-Garcia

(74) *Attorney, Agent, or Firm* — Global IP Counselors, LLP

FIG. 12 is an enlarged, partial bottom plan view, similar to FIG. 11, of a fishing reel portion that identical to FIG. 1, but where both side boundaries of the fishing reel portion are shown in broken lines.

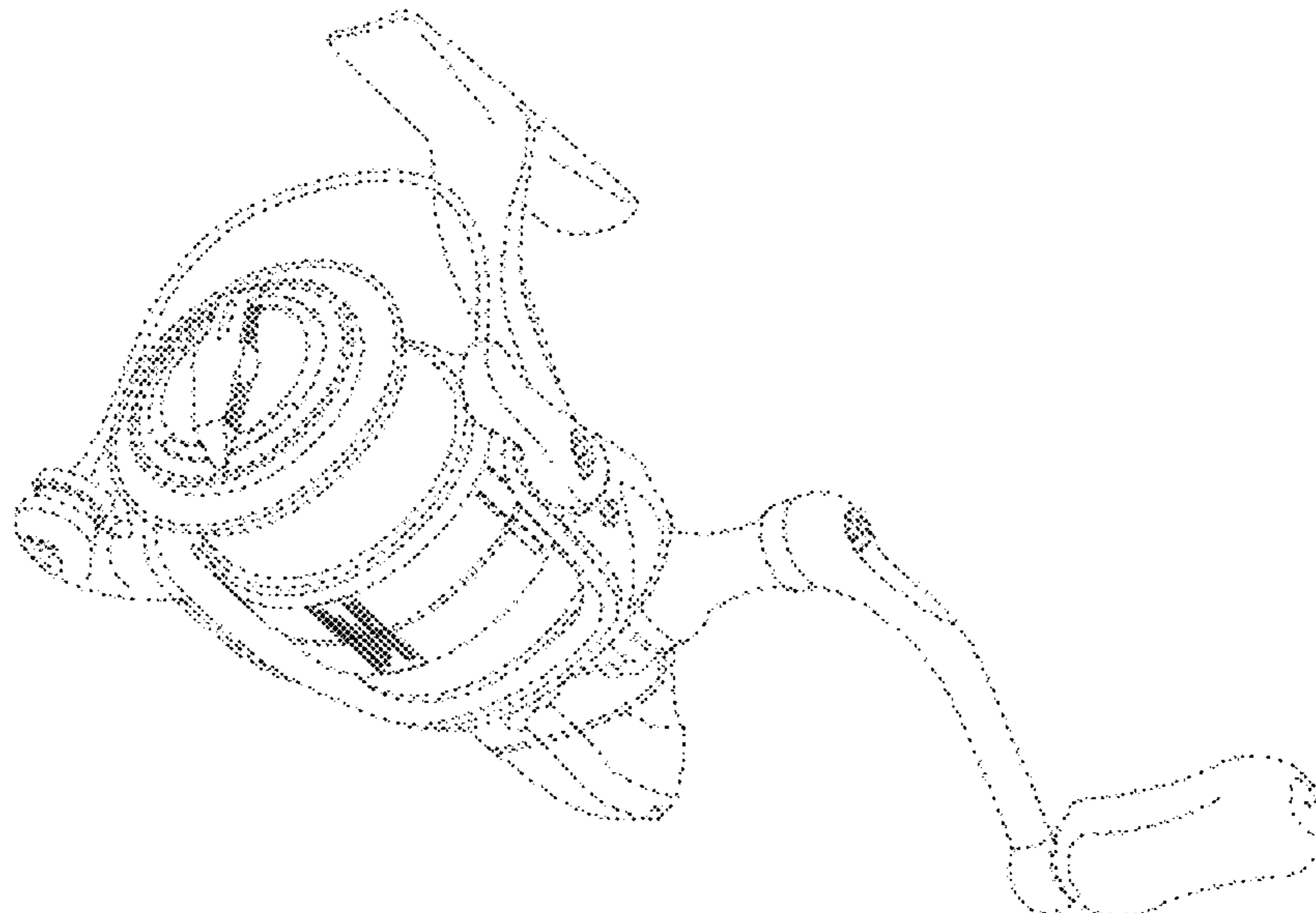
The broken line illustration of the environmental structure (the remaining structure of the fishing reel) in the drawings is not part of the claimed design.

In the fishing reel portion illustrated in FIG. 12, the side boundaries do not form part of the claimed design. In other words, with respect to the alternate design of the fishing reel portion illustrated in FIG. 12, it should be understood that the claimed design extends to the boundary but does not include the boundaries shown in broken lines.

(57) **CLAIM**

The ornamental design for fishing reel portion, as shown and described.

1 Claim, 6 Drawing Sheets



US D674,867 S

Page 2

U.S. PATENT DOCUMENTS

D346,006 S * 4/1994 Sakurai et al. D22/140
D374,908 S * 10/1996 Koelewyn D22/141
D482,753 S * 11/2003 Burke D22/140
D638,092 S * 5/2011 Heller et al. D22/140

FOREIGN PATENT DOCUMENTS

JP 1413857 S 5/2011
* cited by examiner

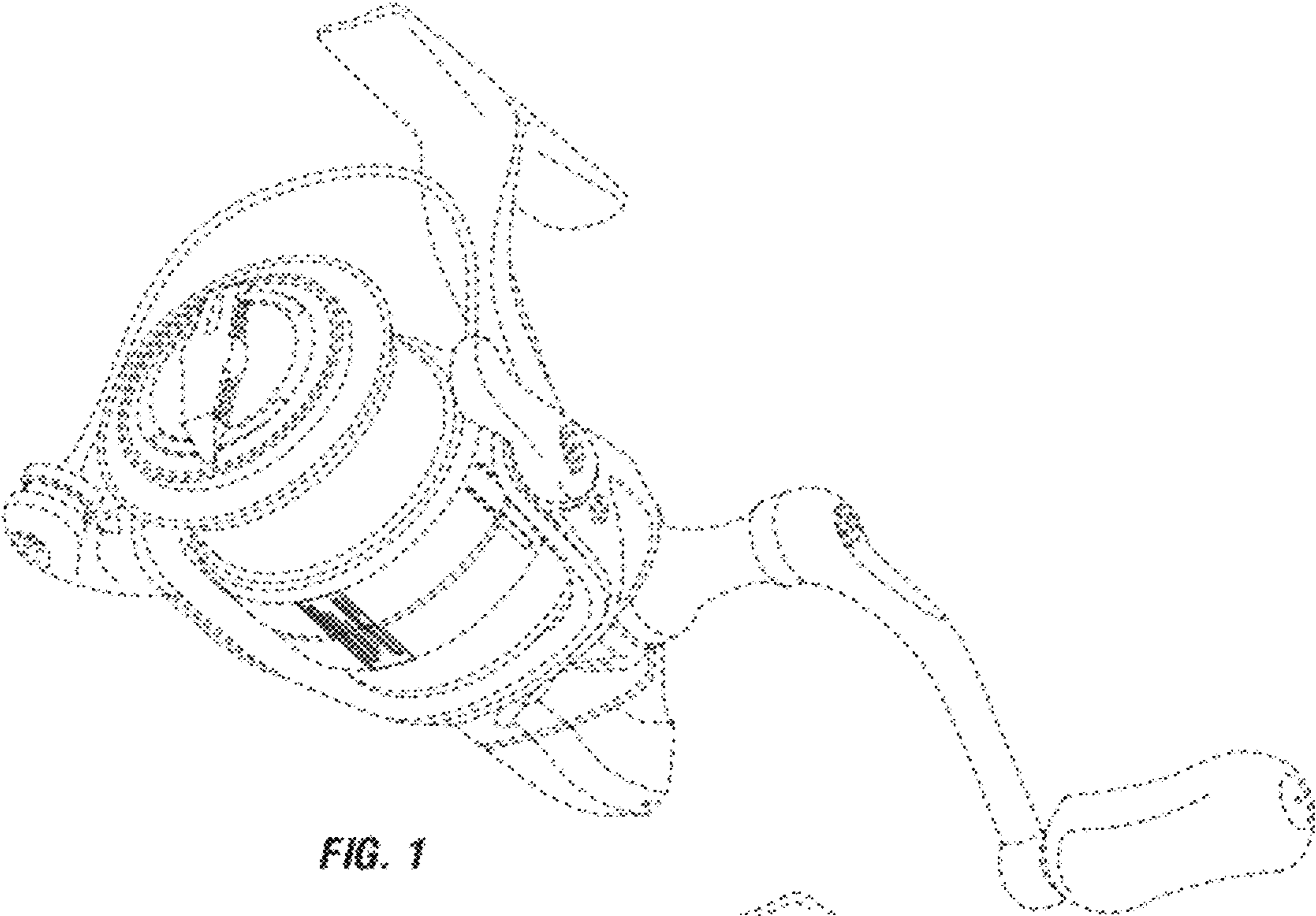


FIG. 1

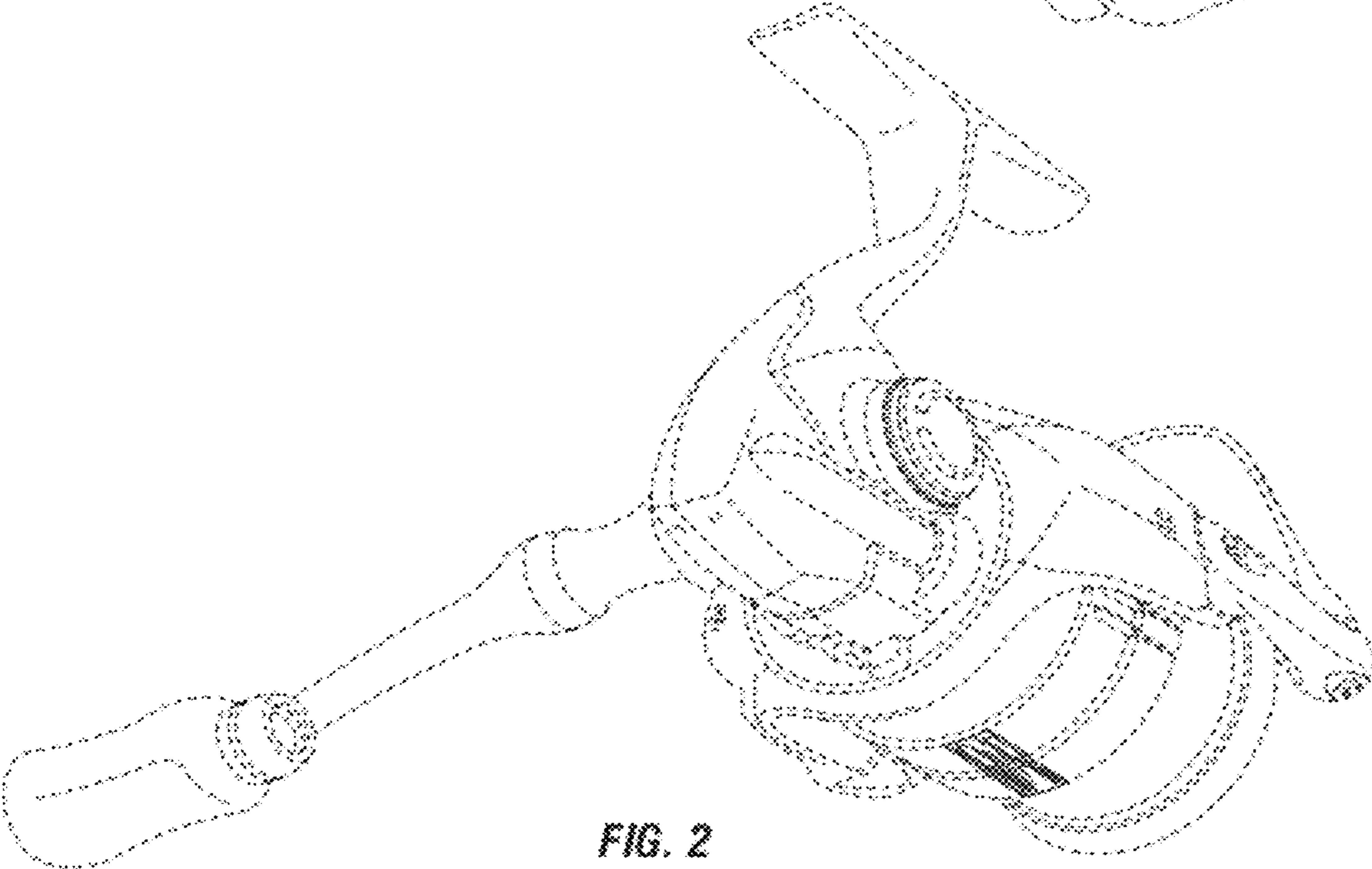


FIG. 2

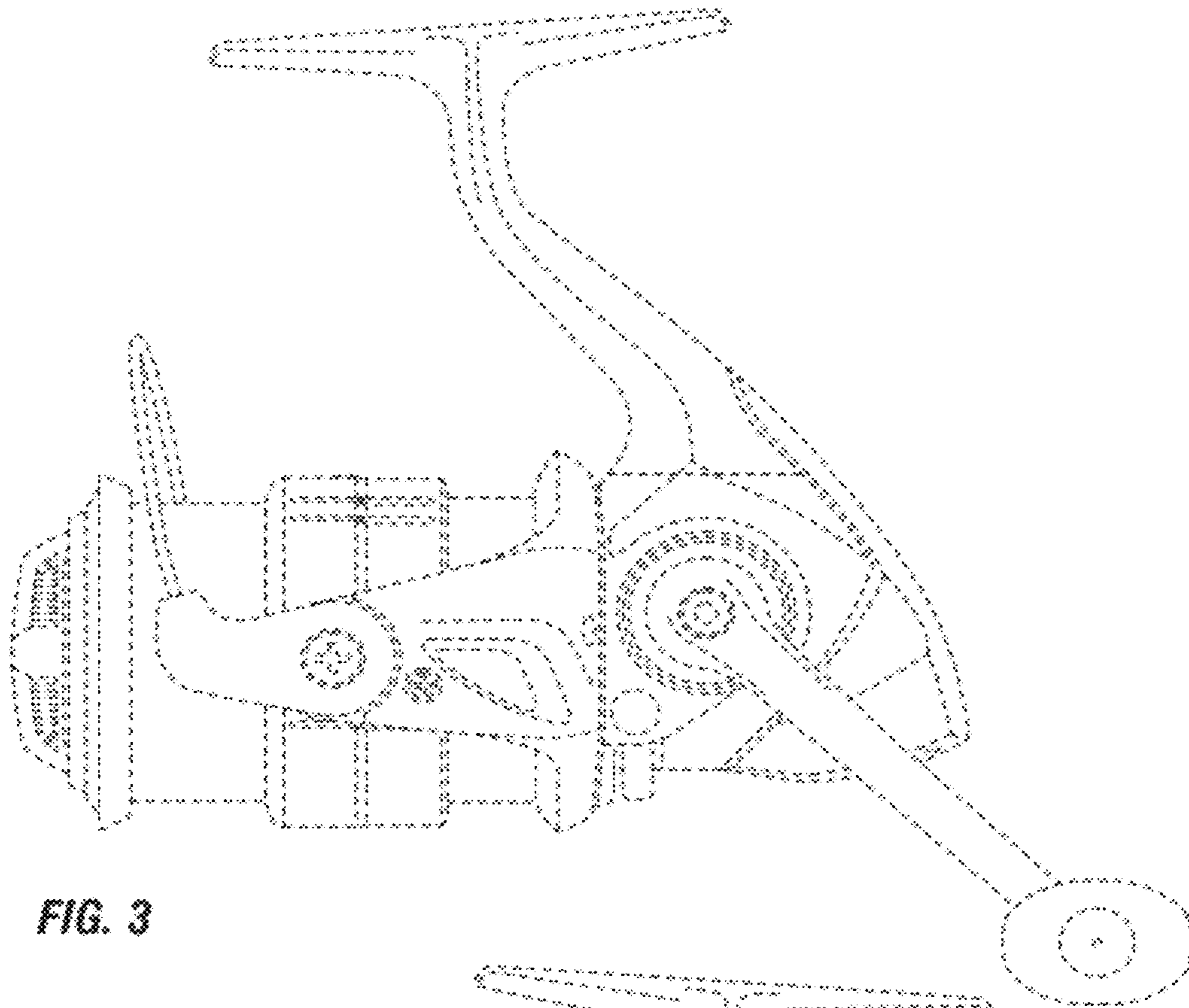


FIG. 3

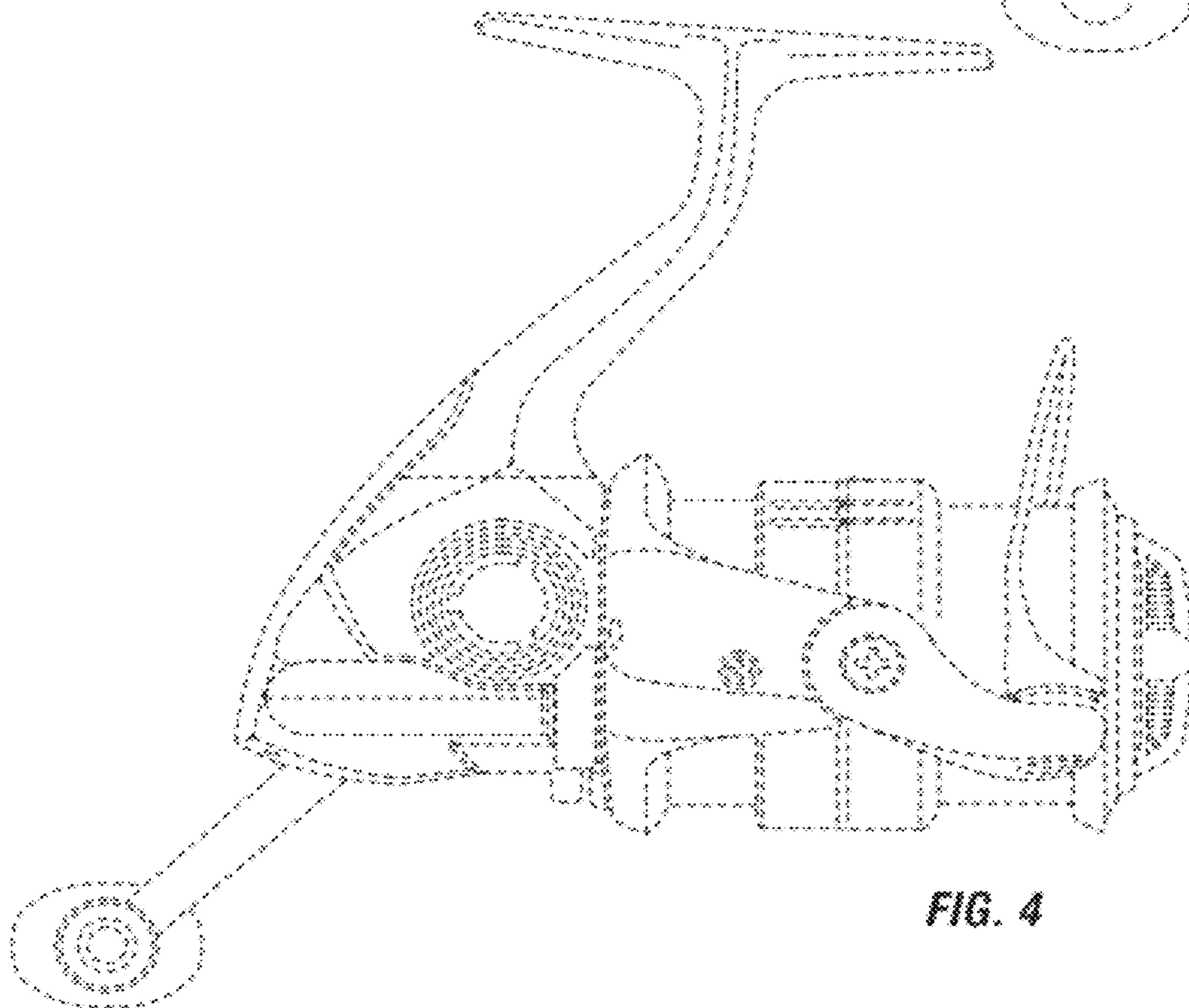


FIG. 4

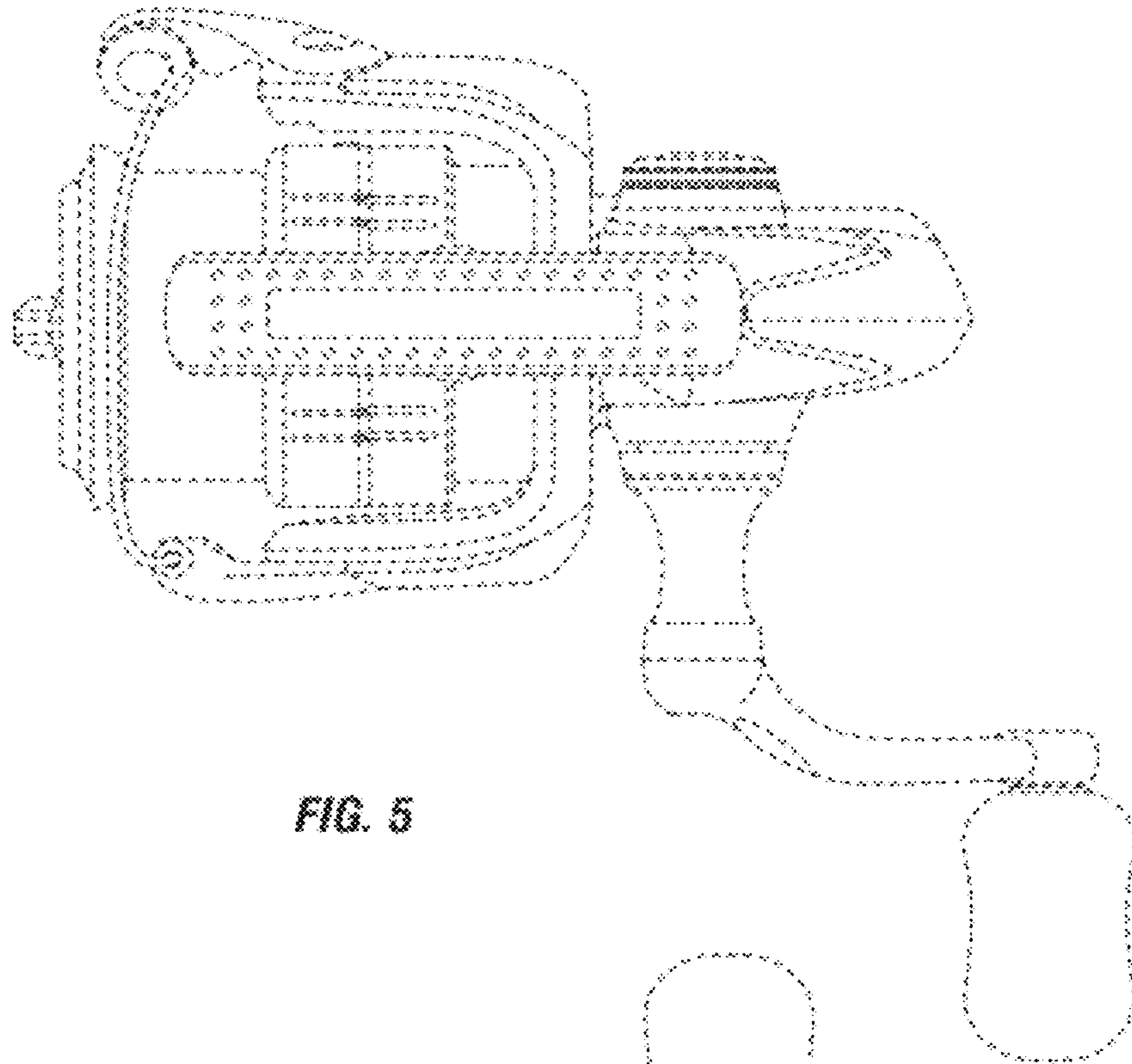


FIG. 5

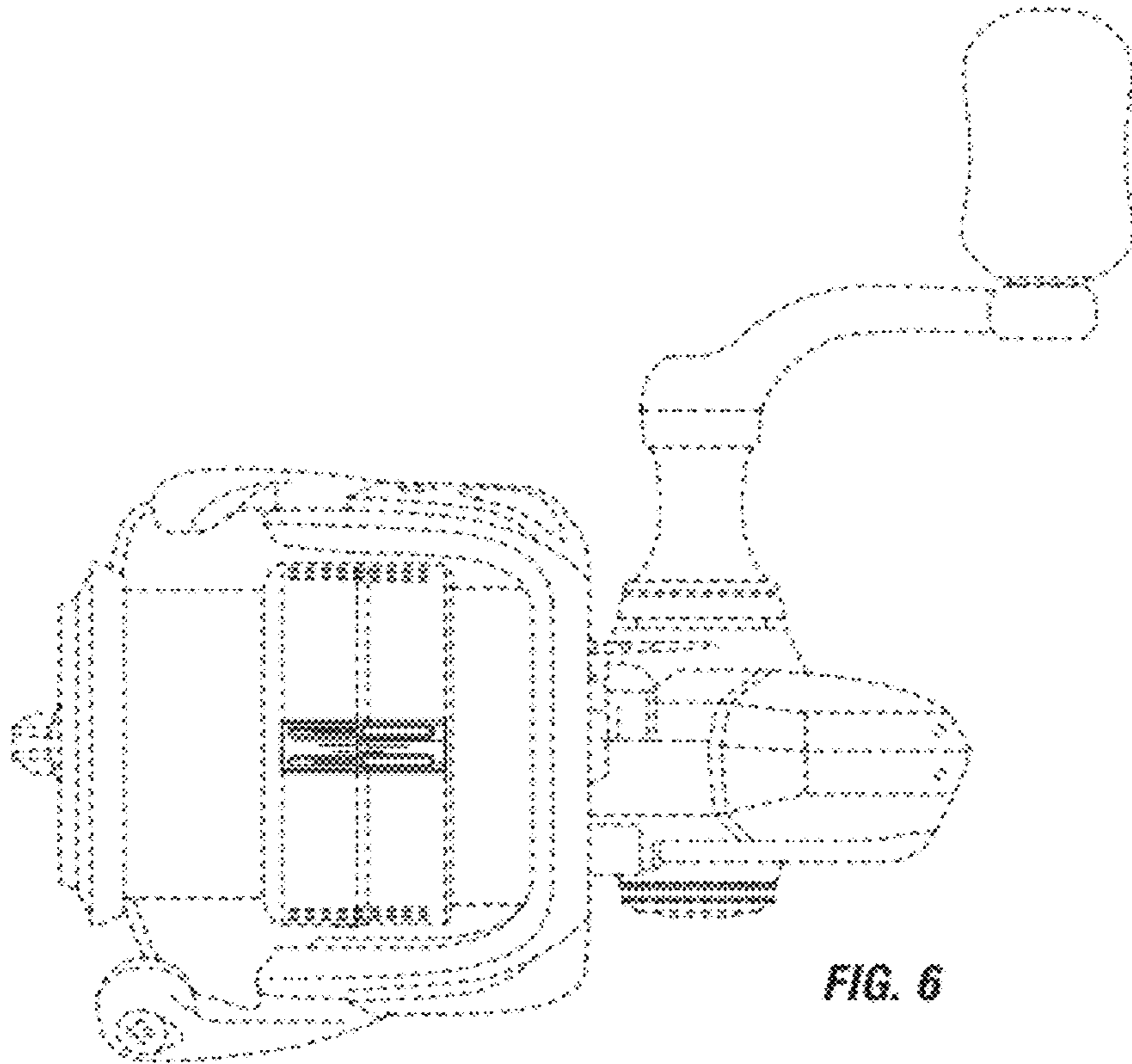


FIG. 6

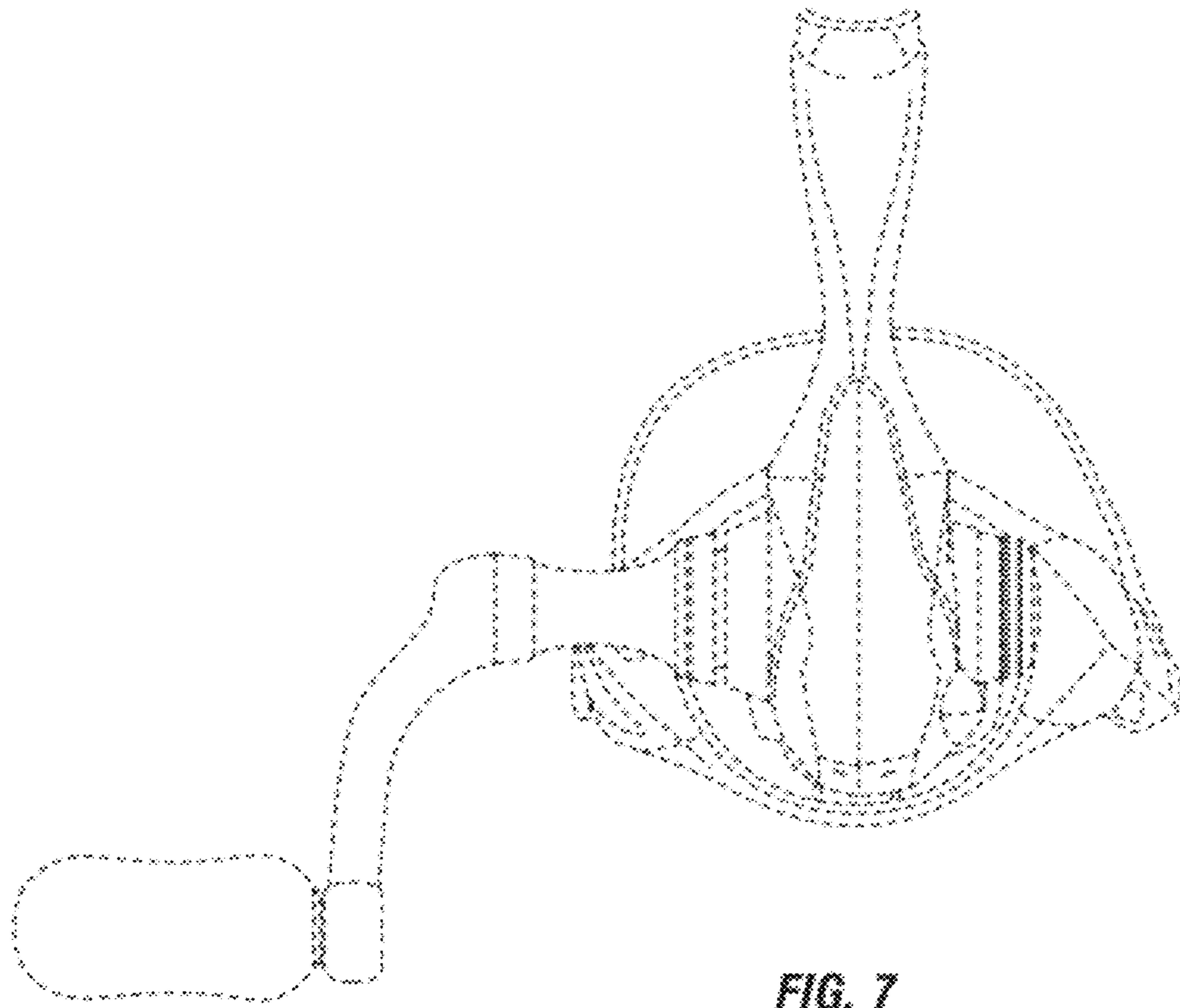


FIG. 7

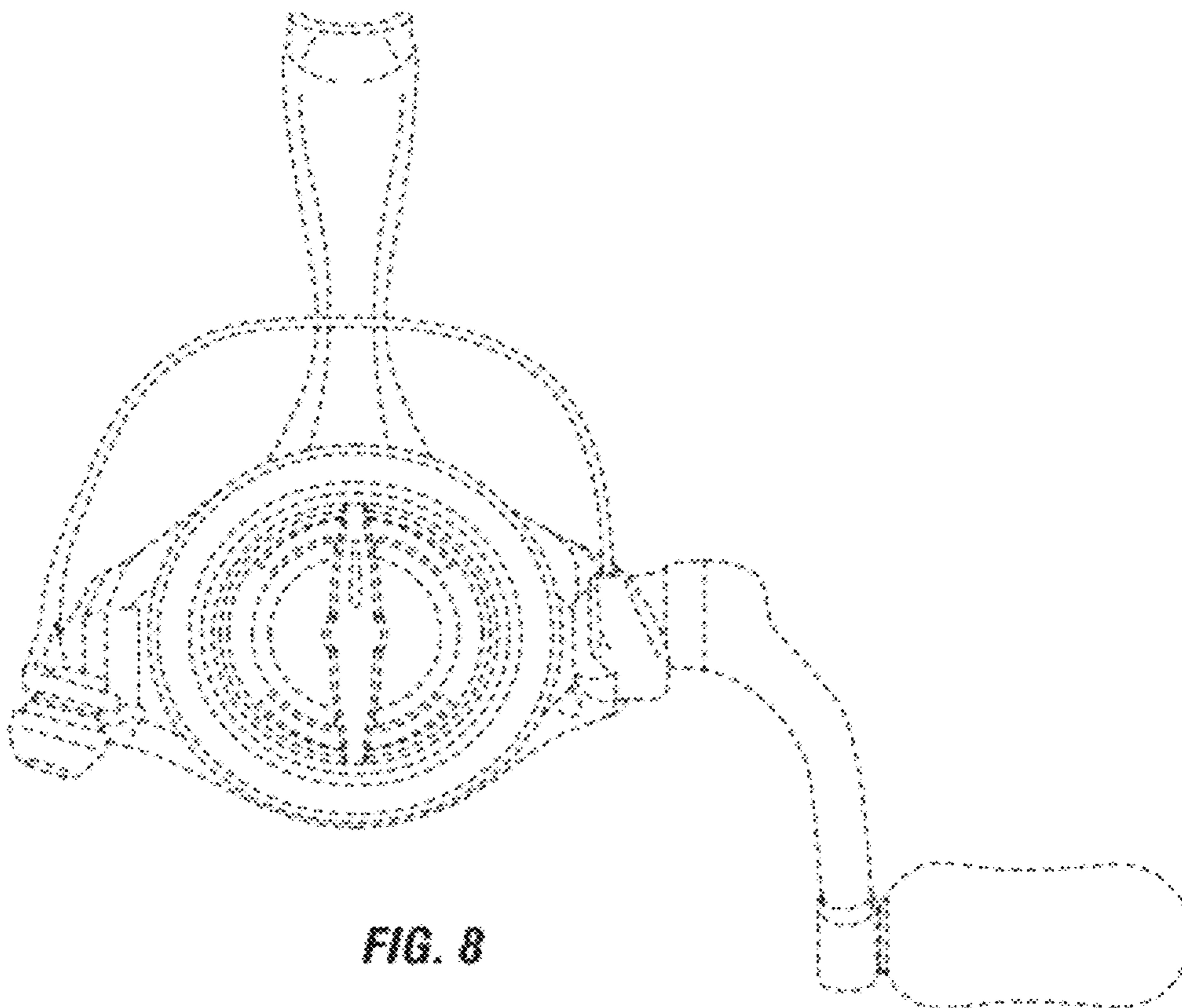


FIG. 8

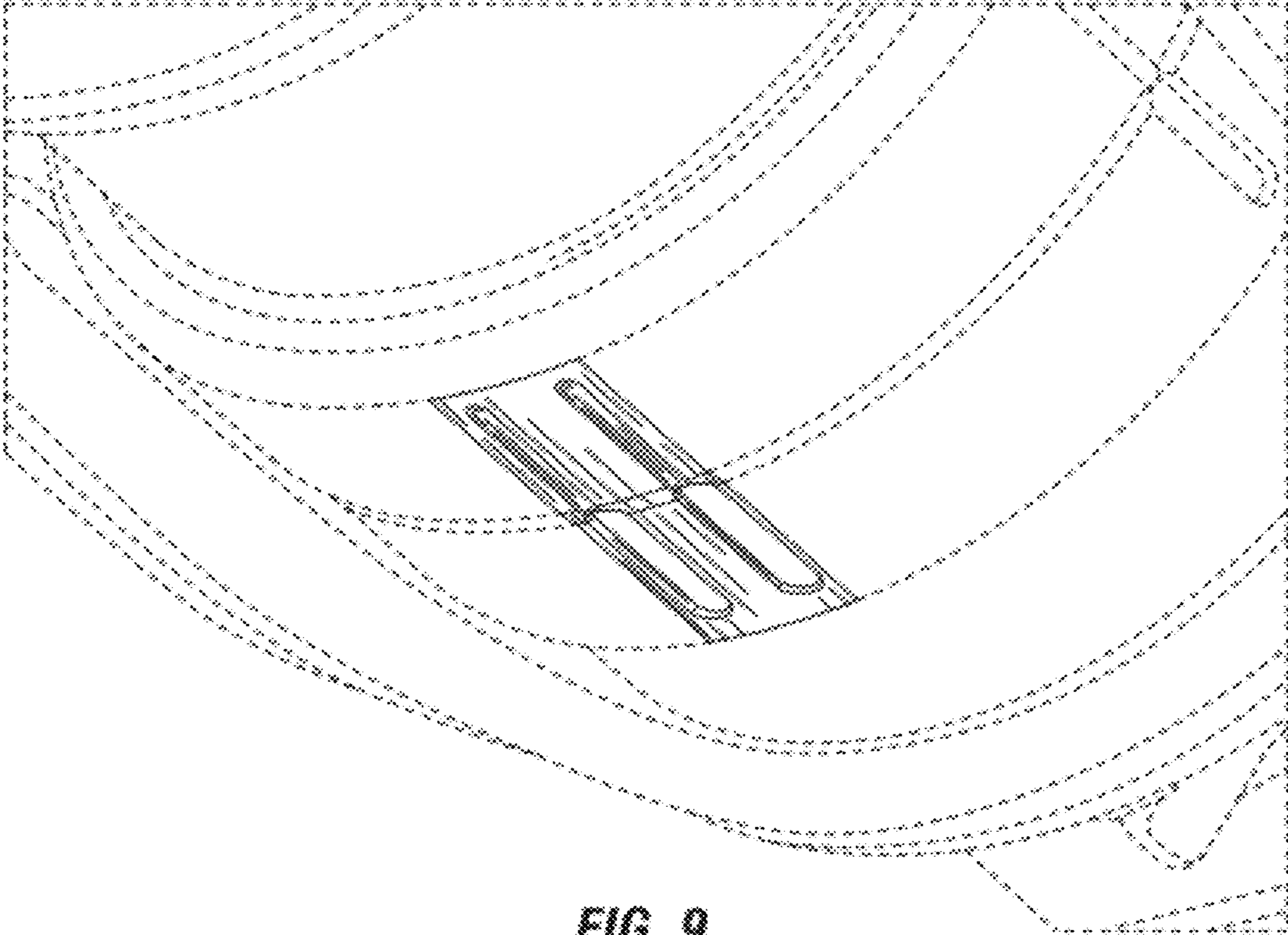


FIG. 9

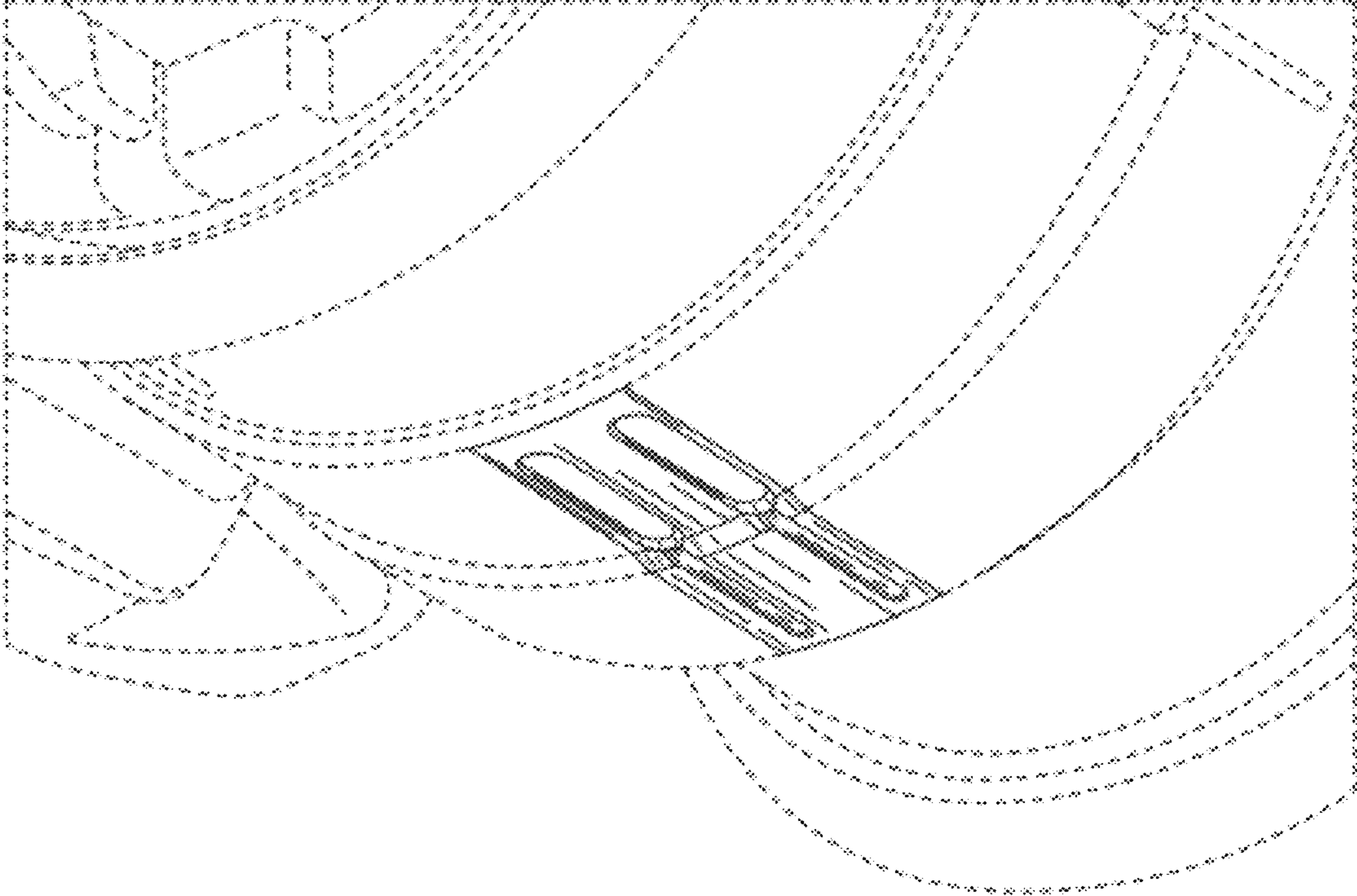


FIG. 10

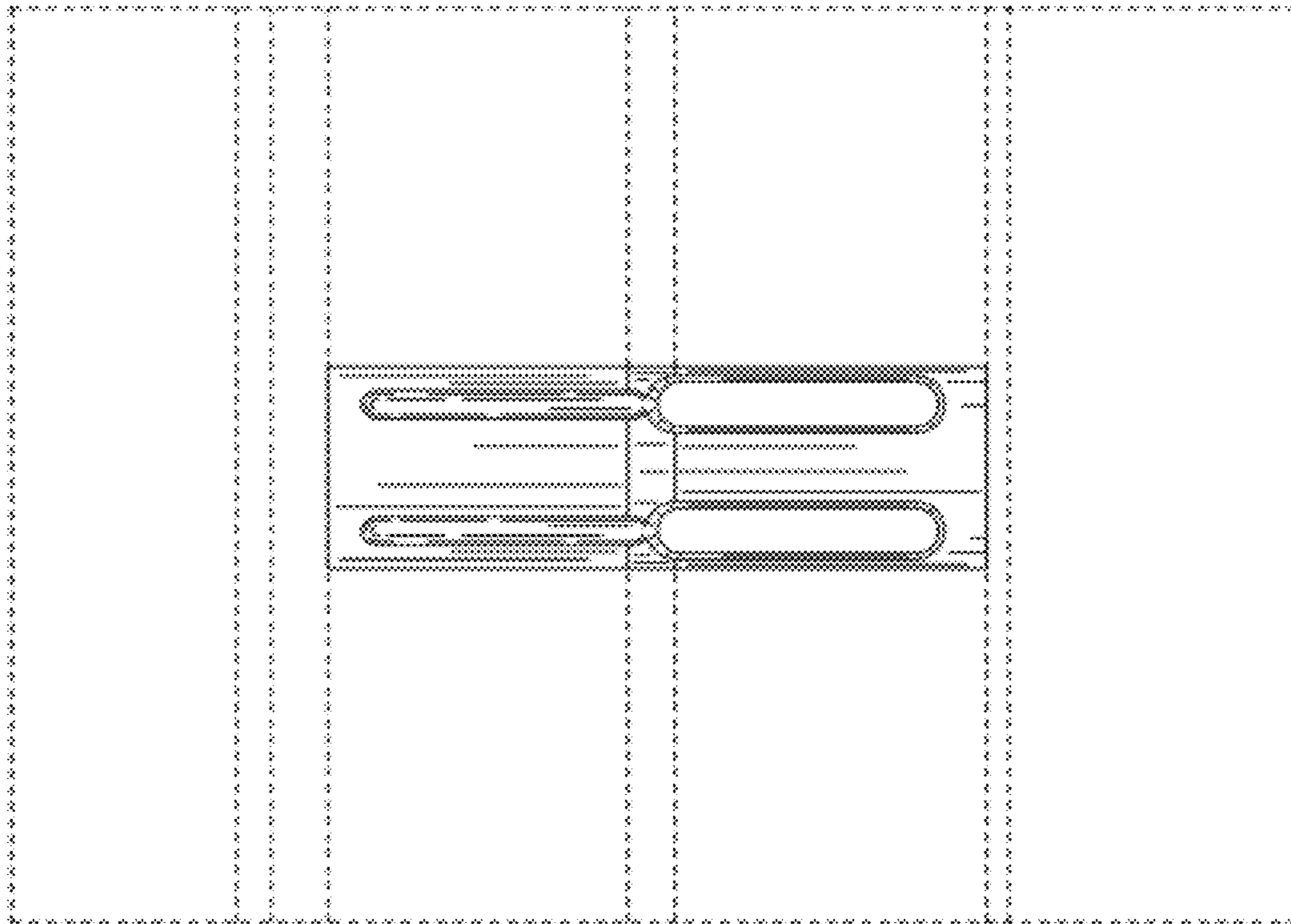


FIG. 11

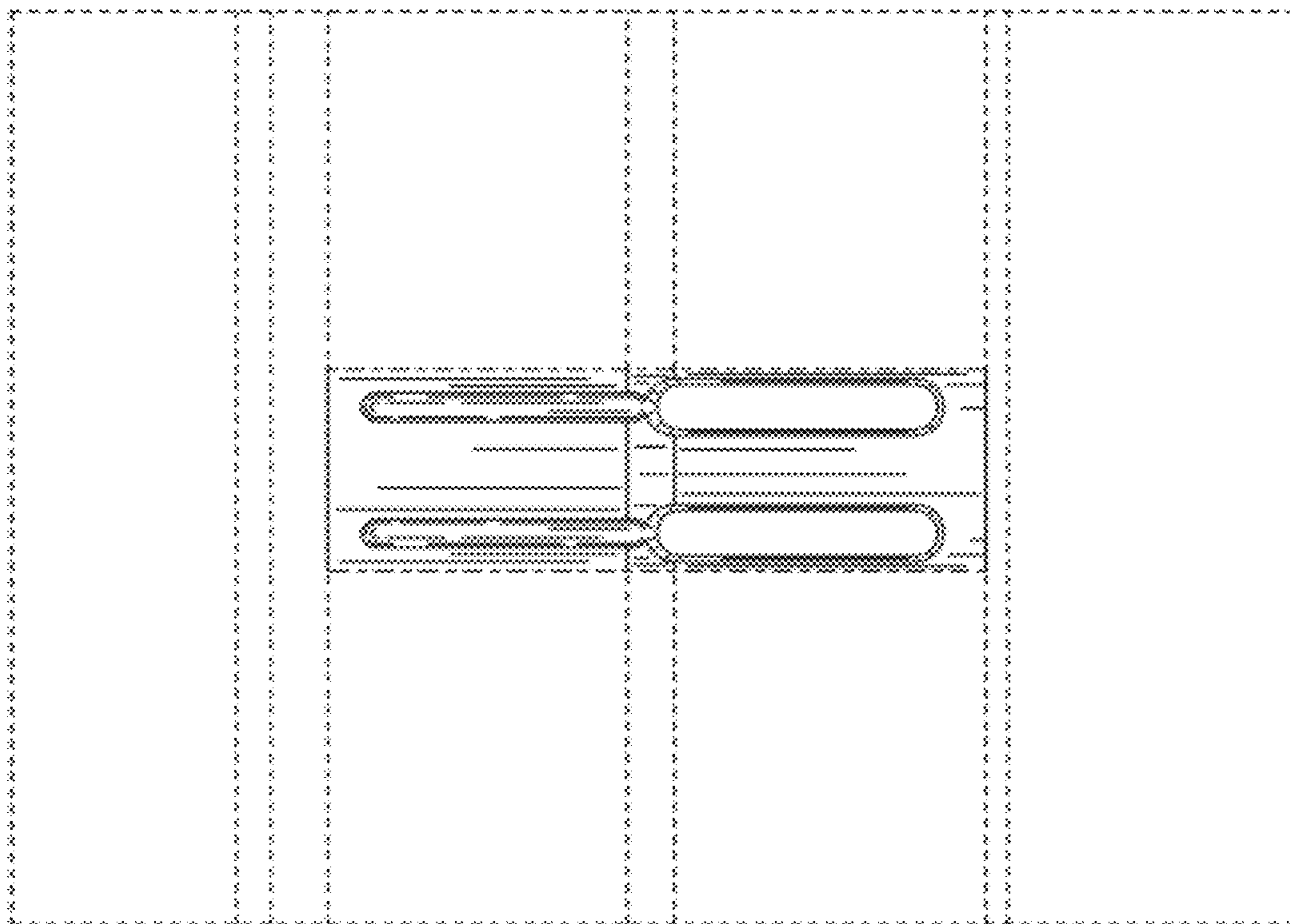


FIG. 12