



US00D674864S

(12) **United States Design Patent**
Ward

(10) **Patent No.:** **US D674,864 S**
(45) **Date of Patent:** **** Jan. 22, 2013**

(54) **ARROW HEAD BODY**

(76) Inventor: **Dennis R. Ward**, Willcox, AZ (US)

(**) Term: **14 Years**

(21) Appl. No.: **29/405,375**

(22) Filed: **Nov. 1, 2011**

(51) **LOC (9) Cl.** **22-03**

(52) **U.S. Cl.** **D22/115**

(58) **Field of Classification Search** D22/107,
D22/115; 43/6; 473/578, 582; 403/349
See application file for complete search history.

(56) **References Cited**

U.S. PATENT DOCUMENTS

2,939,708	A *	6/1960	Scheib	473/582
3,000,635	A *	9/1961	Nieman	473/583
3,164,385	A *	1/1965	Shure	473/582
3,868,114	A *	2/1975	Groner	473/582
4,146,226	A *	3/1979	Sorensen	473/584
D279,813	S *	7/1985	Palizzolo	D22/115
4,579,348	A *	4/1986	Jones	473/583
4,642,929	A *	2/1987	Franklin	43/6
4,807,382	A *	2/1989	Albrecht	43/6
4,976,443	A *	12/1990	DeLucia	473/583
5,066,021	A *	11/1991	DeLucia	473/583
5,094,464	A *	3/1992	Musacchia, Sr.	473/582
D363,108	S *	10/1995	Johnson	D22/115
5,458,341	A *	10/1995	Forrest et al.	473/583
5,482,294	A *	1/1996	Sullivan et al.	473/584
D370,246	S *	5/1996	Johnson	D22/115
5,857,930	A *	1/1999	Troncoso	473/583
6,027,421	A *	2/2000	Adams, Jr.	473/578
6,077,179	A *	6/2000	Liechty, II	473/582
7,571,564	B2 *	8/2009	Sullivan	43/6

7,651,421	B2 *	1/2010	Smith et al.	473/582
8,062,155	B2 *	11/2011	Butcher	473/582
8,197,367	B2 *	6/2012	Pulkrabek et al.	473/583
D664,230	S *	7/2012	Musacchia, Jr.	D22/107
2003/0073525	A1 *	4/2003	Liechty, II	473/583
2011/0218062	A1 *	9/2011	Braun et al.	473/578

FOREIGN PATENT DOCUMENTS

EP 82715 A2 * 6/1983

* cited by examiner

Primary Examiner — Michael A Pratt

(74) *Attorney, Agent, or Firm* — QuickPatents, Inc.; Kevin Prince

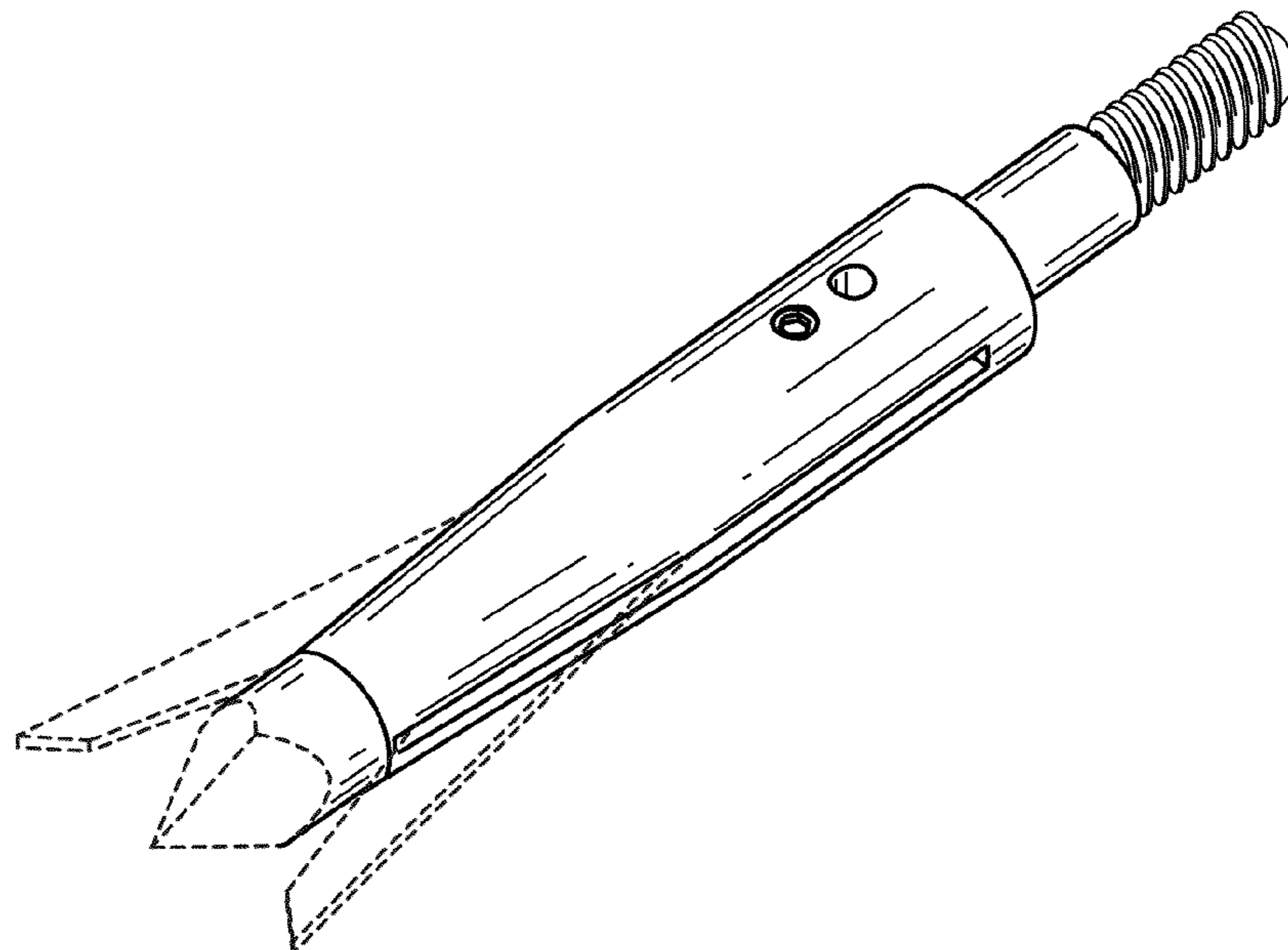
(57) **CLAIM**

I claim the ornamental design for an arrow head body, as shown and described.

DESCRIPTION

FIG. 1 is a perspective view of an arrow head body, showing my new design with a set screw set in a forward position; FIG. 2 is a top plan view thereof; FIG. 3 is a bottom plan view thereof; FIG. 4 is a left-side elevational view thereof; FIG. 5 is a right-side elevational view thereof; FIG. 6 is a front elevational view thereof; FIG. 7 is a rear elevational view thereof; FIG. 8 is a perspective view thereof with the set screw set in a rear position; and, FIG. 9 is a top plan view of FIG. 8. The broken lines showing an arrow head tip and blades in the figures depict environmental matter and form no part of the claimed design.

1 Claim, 3 Drawing Sheets



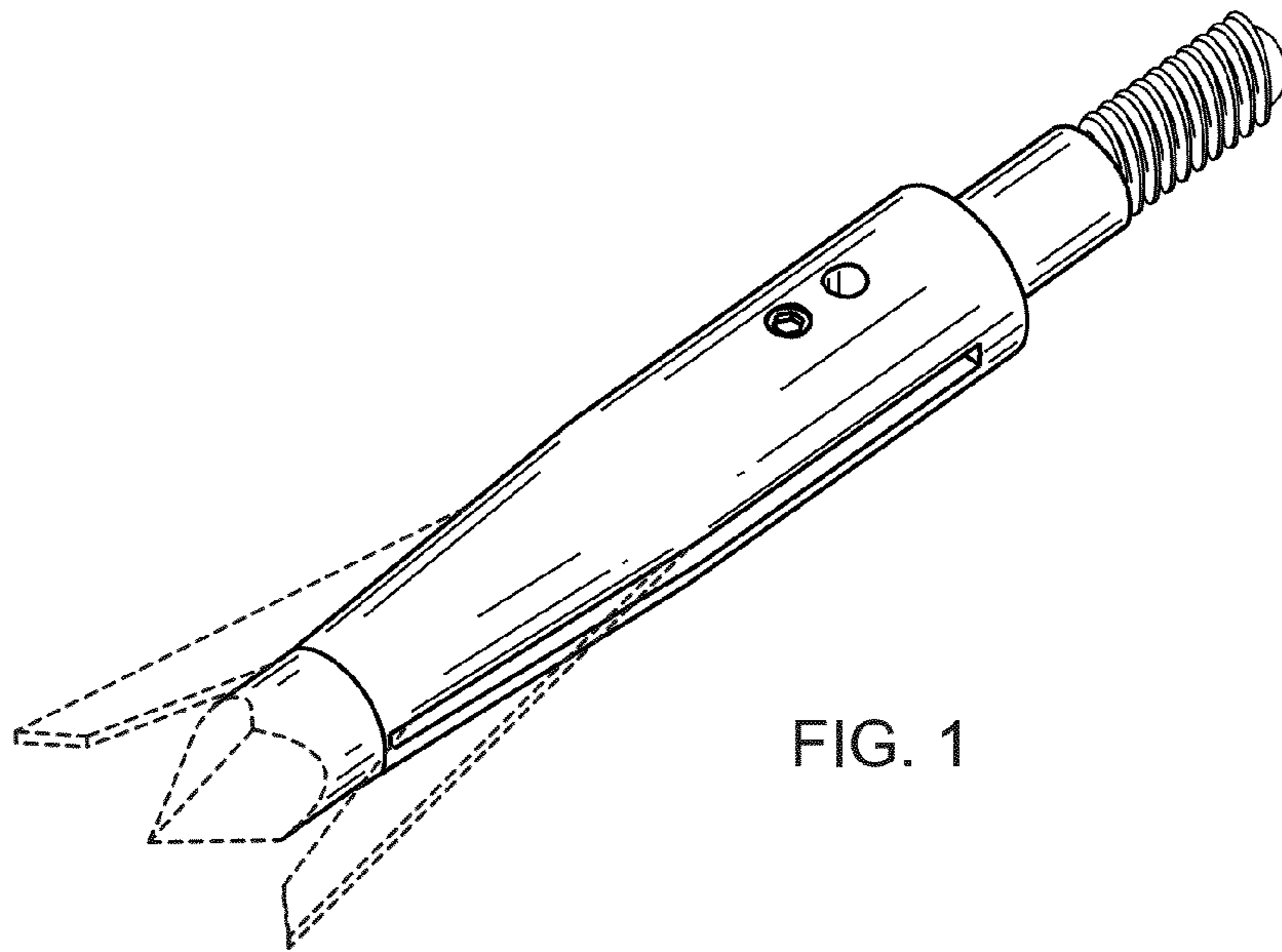


FIG. 1

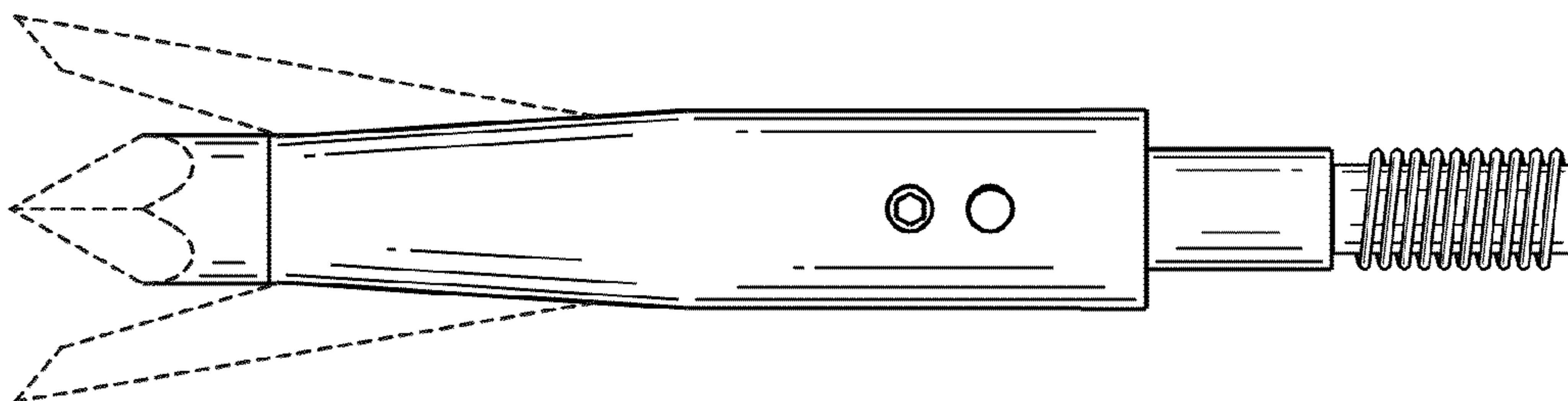


FIG. 2

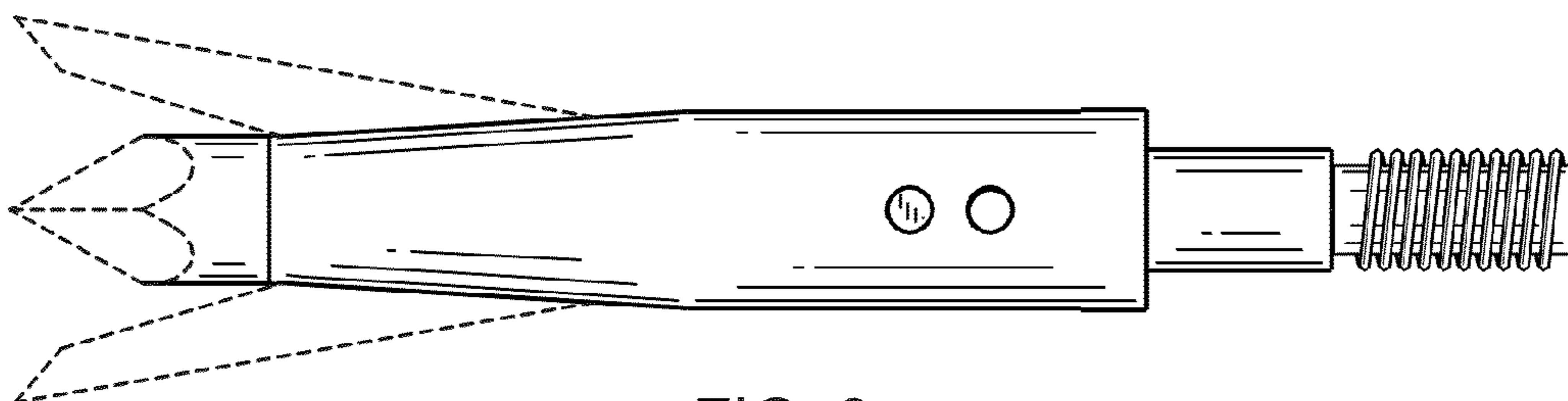


FIG. 3

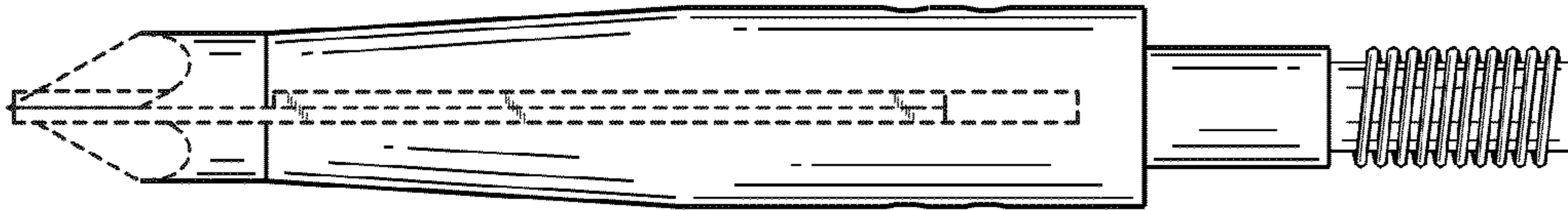


FIG. 4

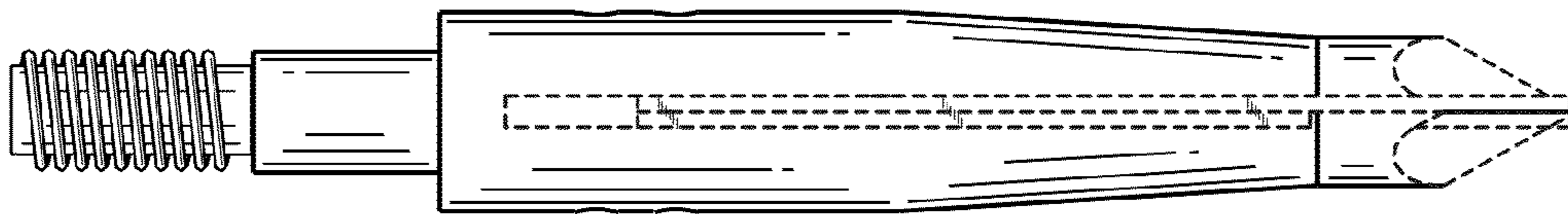


FIG. 5

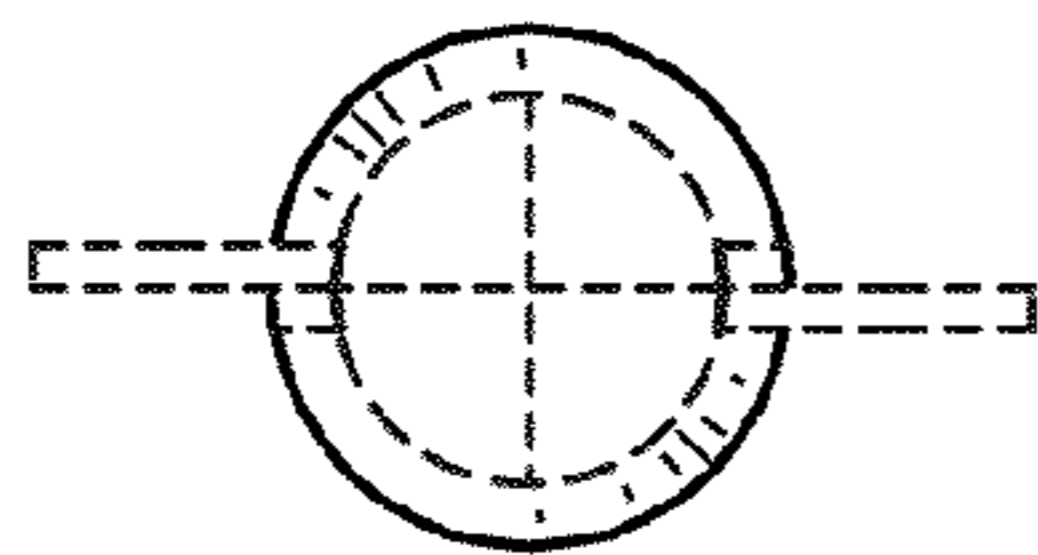


FIG. 6

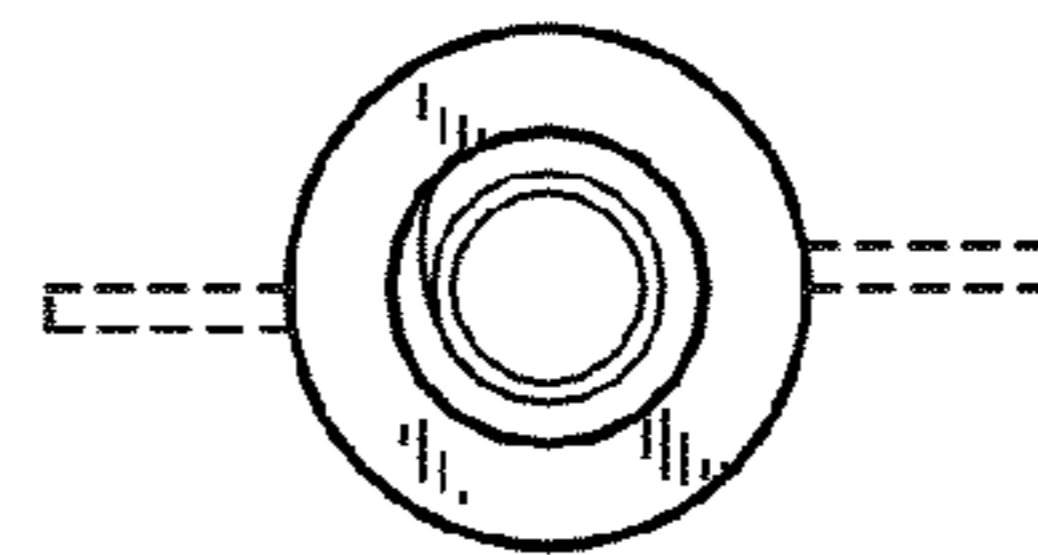


FIG. 7

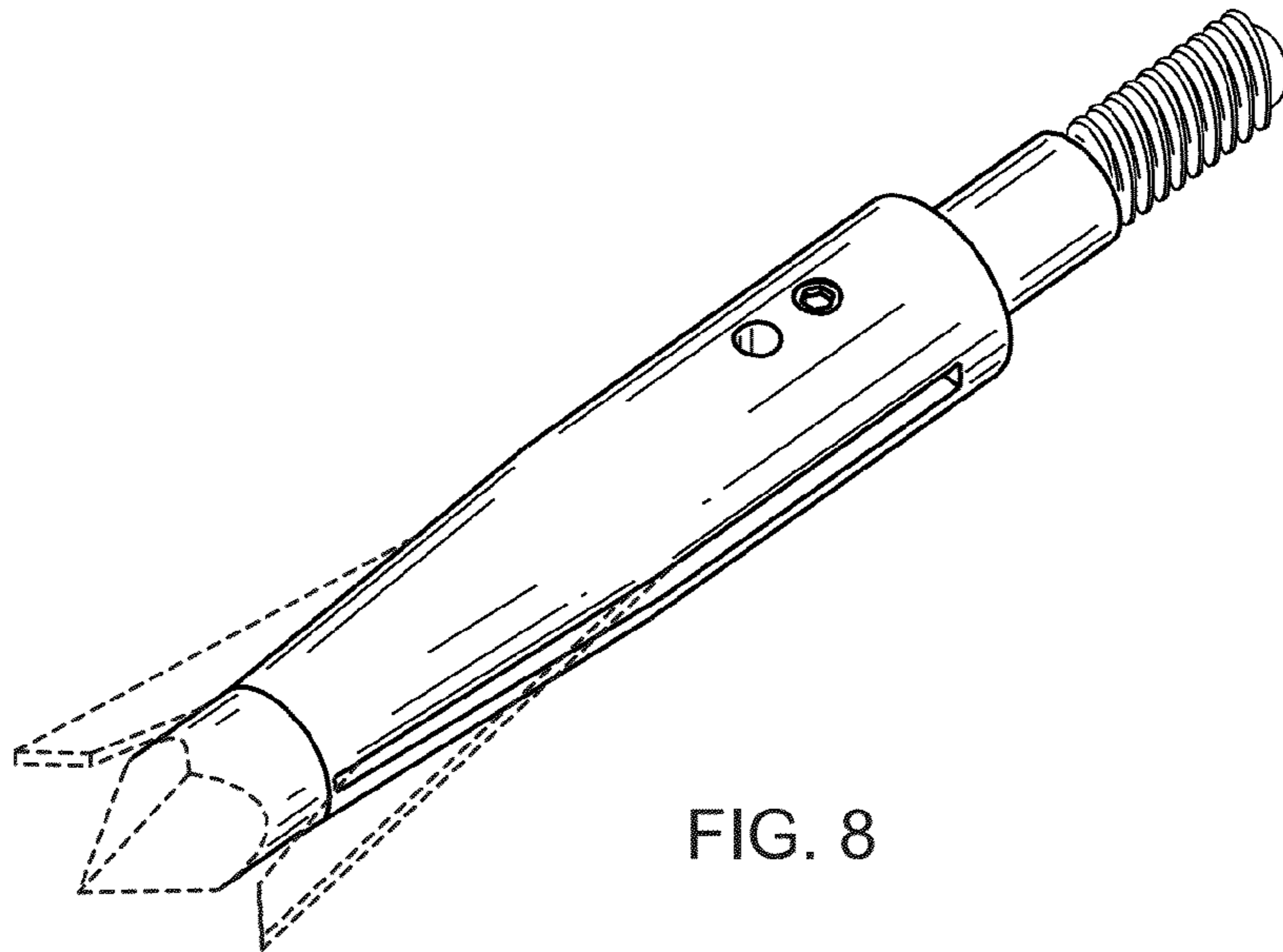


FIG. 8

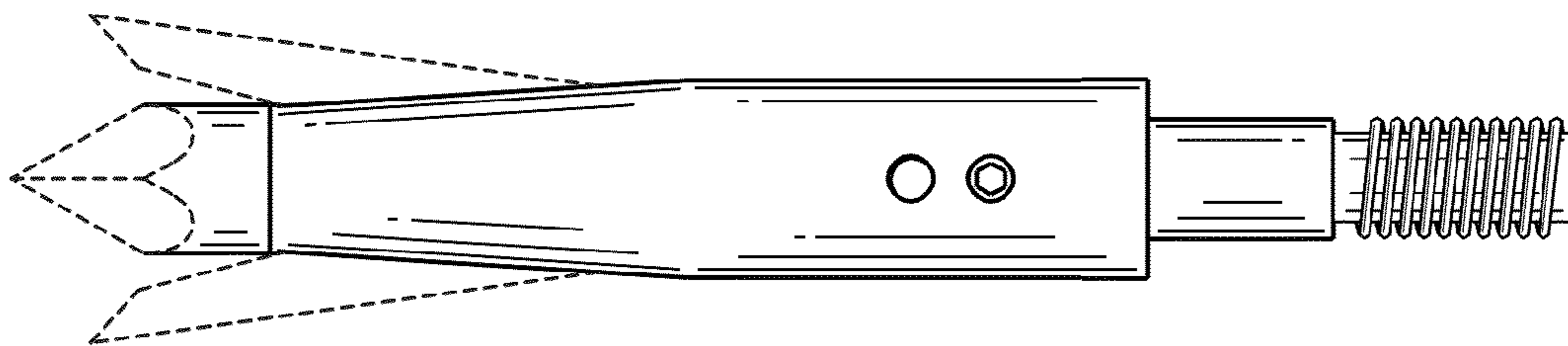


FIG. 9