



US00D674863S

(12) **United States Design Patent**  
**Burzel et al.**

(10) **Patent No.:** **US D674,863 S**  
(45) **Date of Patent:** **\*\* Jan. 22, 2013**

(54) **BATTERY COMPARTMENT FOR A RIFLE SCOPE**

FOREIGN PATENT DOCUMENTS

WO WO 9715083 A1 \* 4/1997

(75) Inventors: **Timo Burzel**, Lahnau-Waldgirmes (DE);  
**Andreas Schneider**,  
Hüttenberg/Rechtenbach (DE)

\* cited by examiner

*Primary Examiner* — Michael A Pratt  
(74) *Attorney, Agent, or Firm* — Walter Ottesen

(73) Assignee: **Carl Zeiss Optronics GmbH**,  
Oberkochen (DE)

(57) **CLAIM**

The ornamental design for a battery compartment for a rifle scope, as shown and described.

(\*\*) Term: **14 Years**

**DESCRIPTION**

(21) Appl. No.: **29/405,143**

FIG. 1 is a left side perspective view of the battery compartment of our new design shown mounted on a rifle scope;  
FIG. 2 is a right side perspective view of the battery compartment of FIG. 1 with a portion of the rifle scope on which the battery compartment is mounted;  
FIG. 3 is a left side front perspective view of the battery compartment of FIG. 1;  
FIG. 4 is a top plan view of the battery compartment of FIG. 1;

(22) Filed: **Oct. 28, 2011**

(51) **LOC (9) Cl.** ..... **22-01**

(52) **U.S. Cl.** ..... **D22/109**

(58) **Field of Classification Search** ..... D22/108–110;  
D16/132, 130, 133, 330, 134; 359/399, 823,  
359/744; 42/111, 133, 119, 122; D9/446  
See application file for complete search history.

FIG. 5 is a bottom plan view of the battery compartment of FIG. 1;  
FIG. 6 is a left side elevation view of the battery compartment of FIG. 1;  
FIG. 7 is a right side elevation view of the battery compartment of FIG. 1;  
FIG. 8 is a rear elevation view of the battery compartment of FIG. 1; and,  
FIG. 9 is a front elevation view of the battery compartment of FIG. 1.

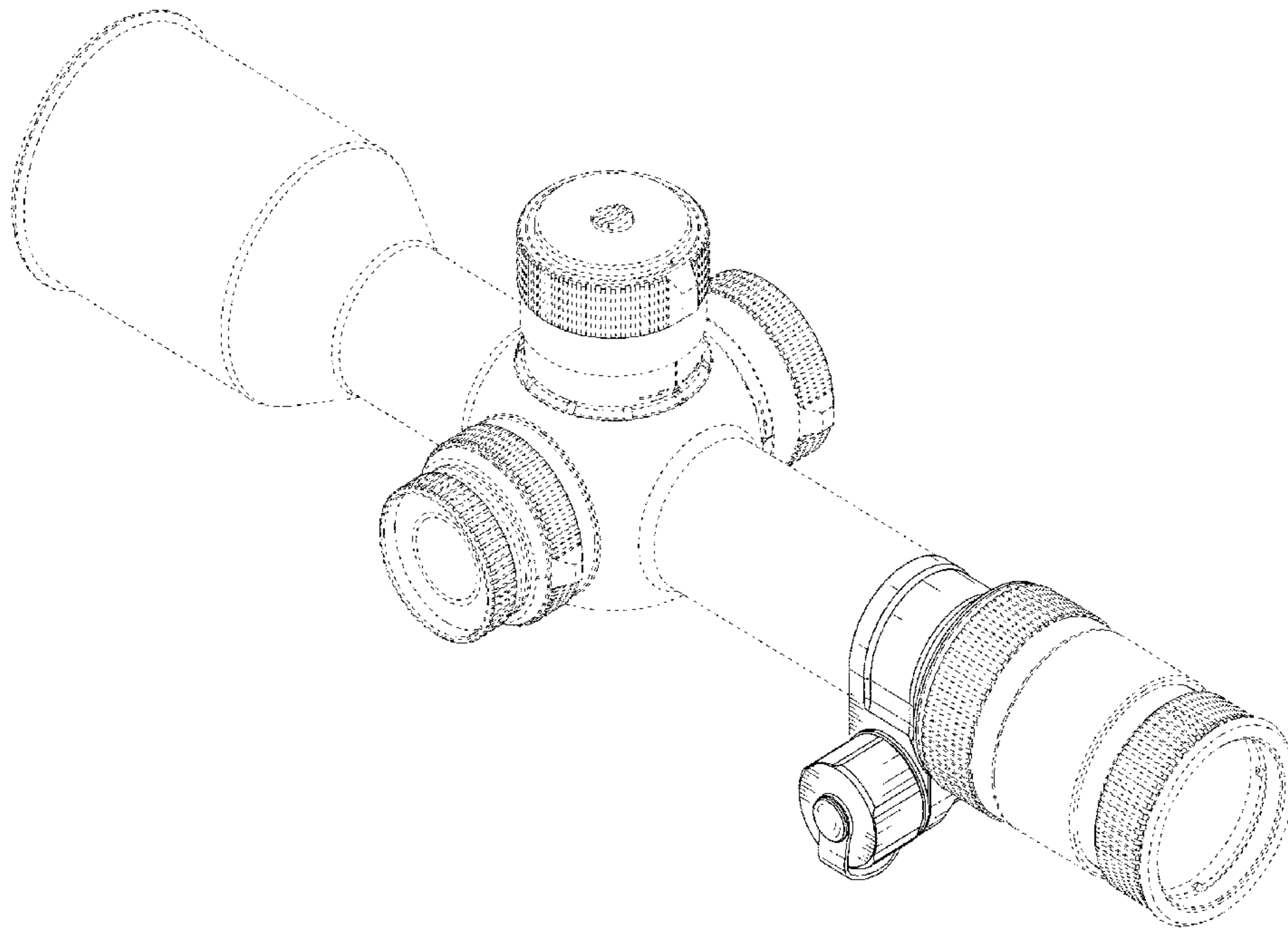
(56) **References Cited**

**U.S. PATENT DOCUMENTS**

D221,886	S	*	9/1971	Gruett	.....	D15/150
D364,810	S	*	12/1995	Meisner	.....	D9/446
H1645	H	*	5/1997	Lewis	.....	250/330
D413,153	S	*	8/1999	Tucker	.....	D22/109
6,662,370	B1	*	12/2003	Buchanan, Jr.	.....	2/6.2
7,088,506	B2	*	8/2006	Regan et al.	.....	359/425
7,203,998	B2	*	4/2007	Howie, Jr.	.....	16/441
D650,629	S	*	12/2011	Gilbert	.....	D7/392.1
2007/0068058	A1	*	3/2007	Remo	.....	42/122
2007/0257637	A1	*	11/2007	Hankel et al.	.....	320/110
2009/0067166	A1	*	3/2009	Ford et al.	.....	362/208
2010/0175298	A1	*	7/2010	Thomas et al.	.....	42/122

The rifle scope body shown by dashed lines in FIGS. 1 and 2 is for illustrative purposes only and forms no part of the claimed design.

**1 Claim, 4 Drawing Sheets**



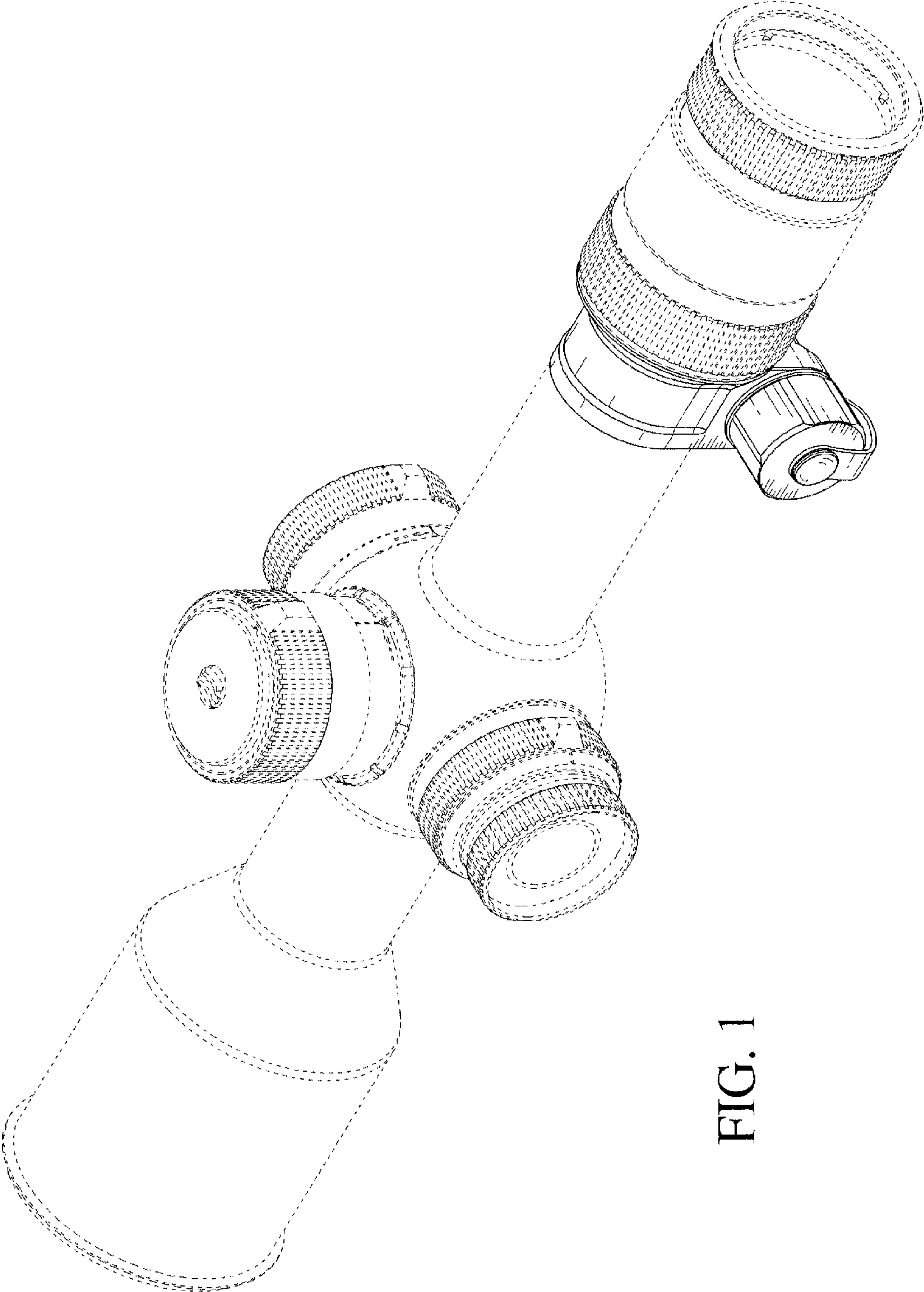


FIG. 1

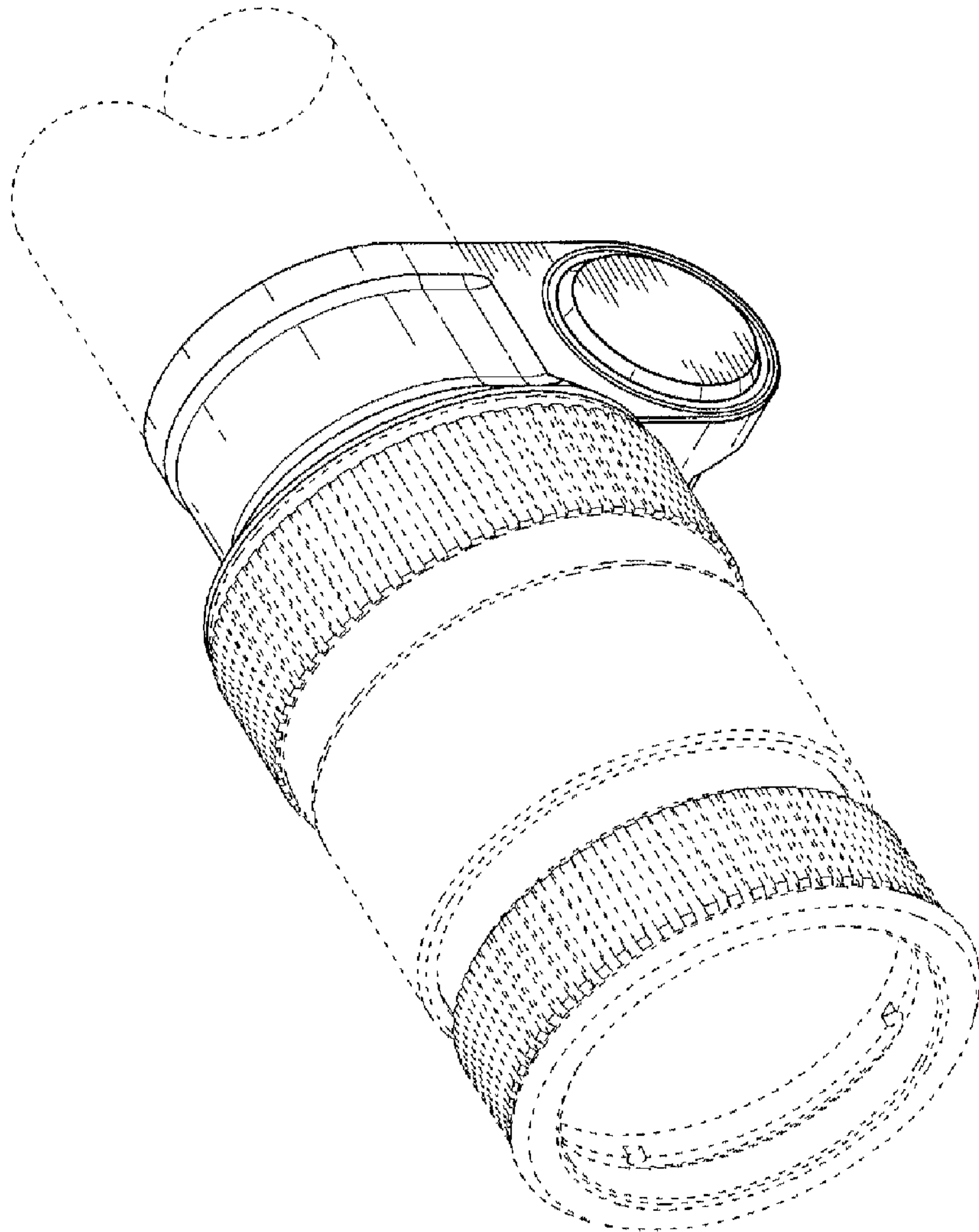


FIG. 2

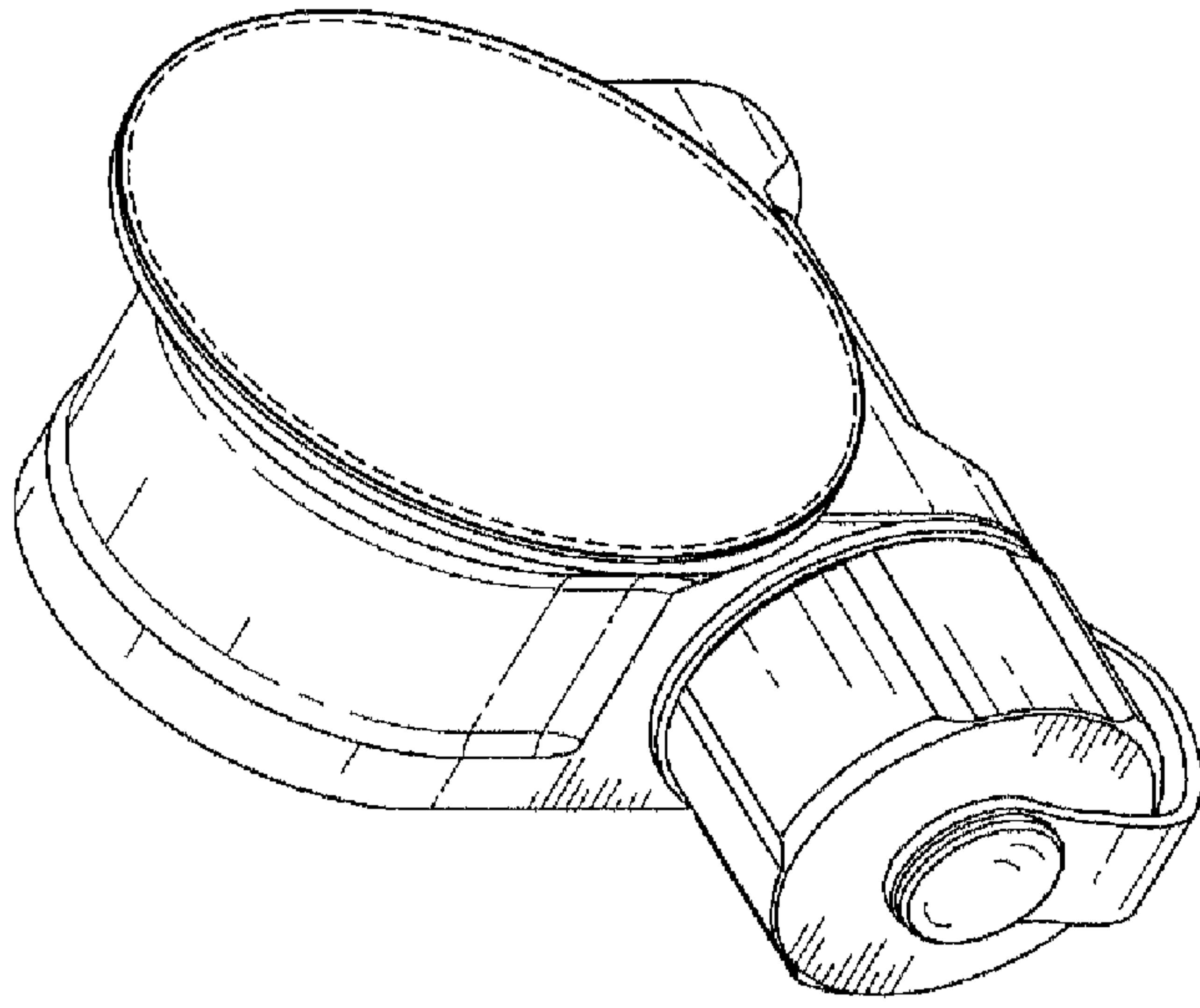


FIG. 3



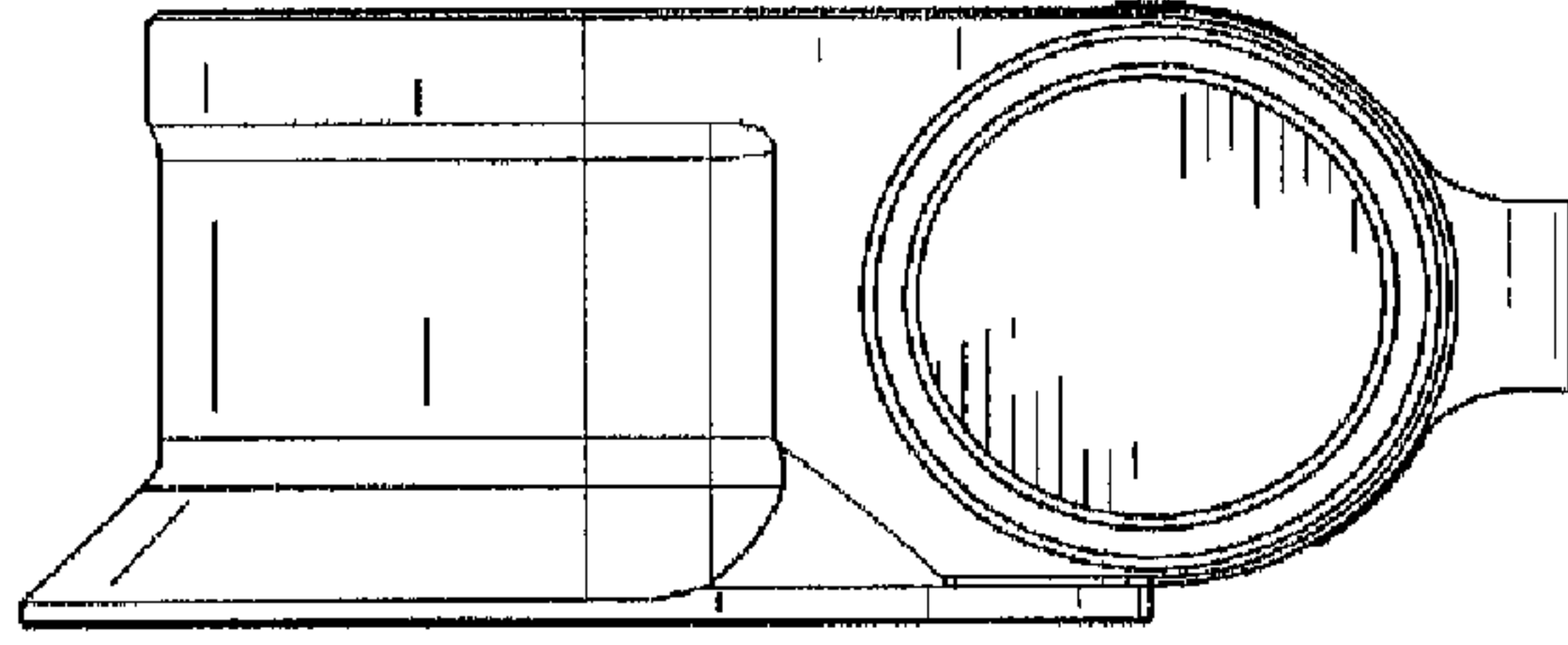


FIG. 7

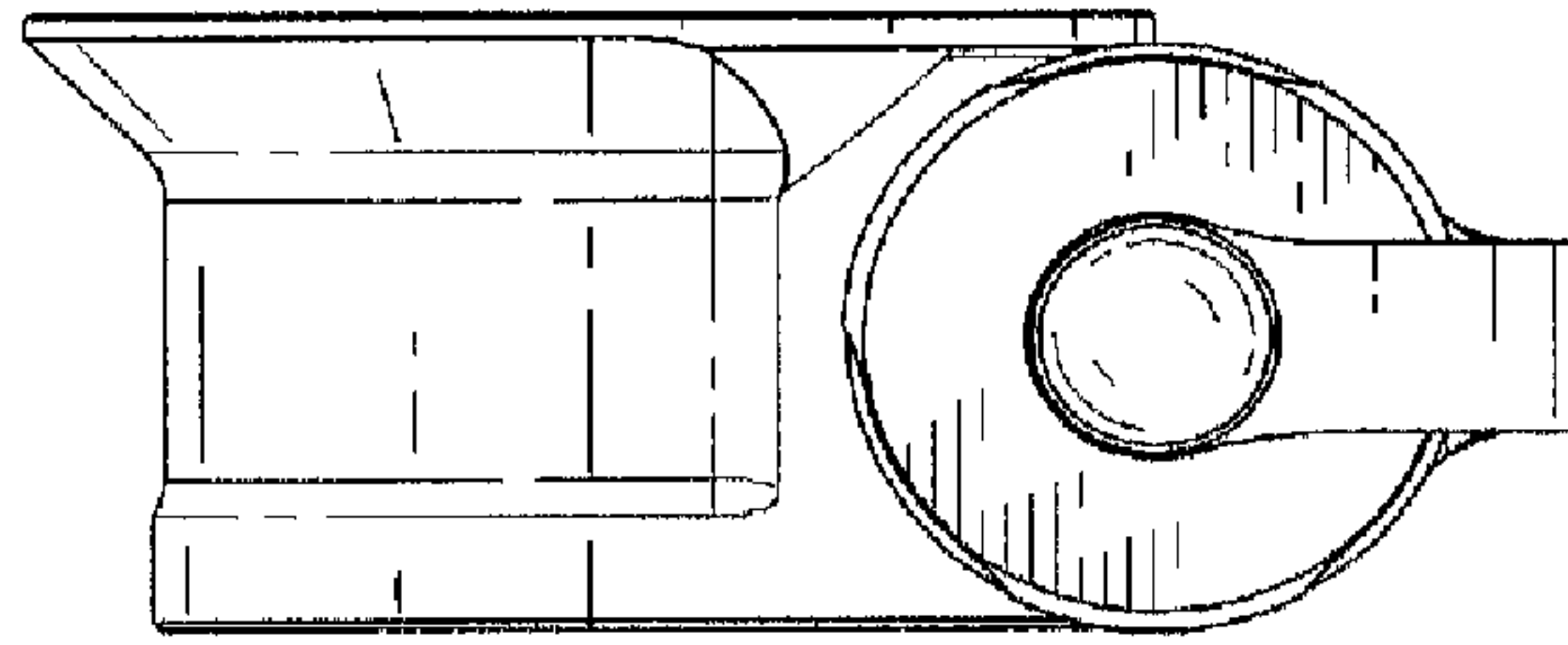


FIG. 6

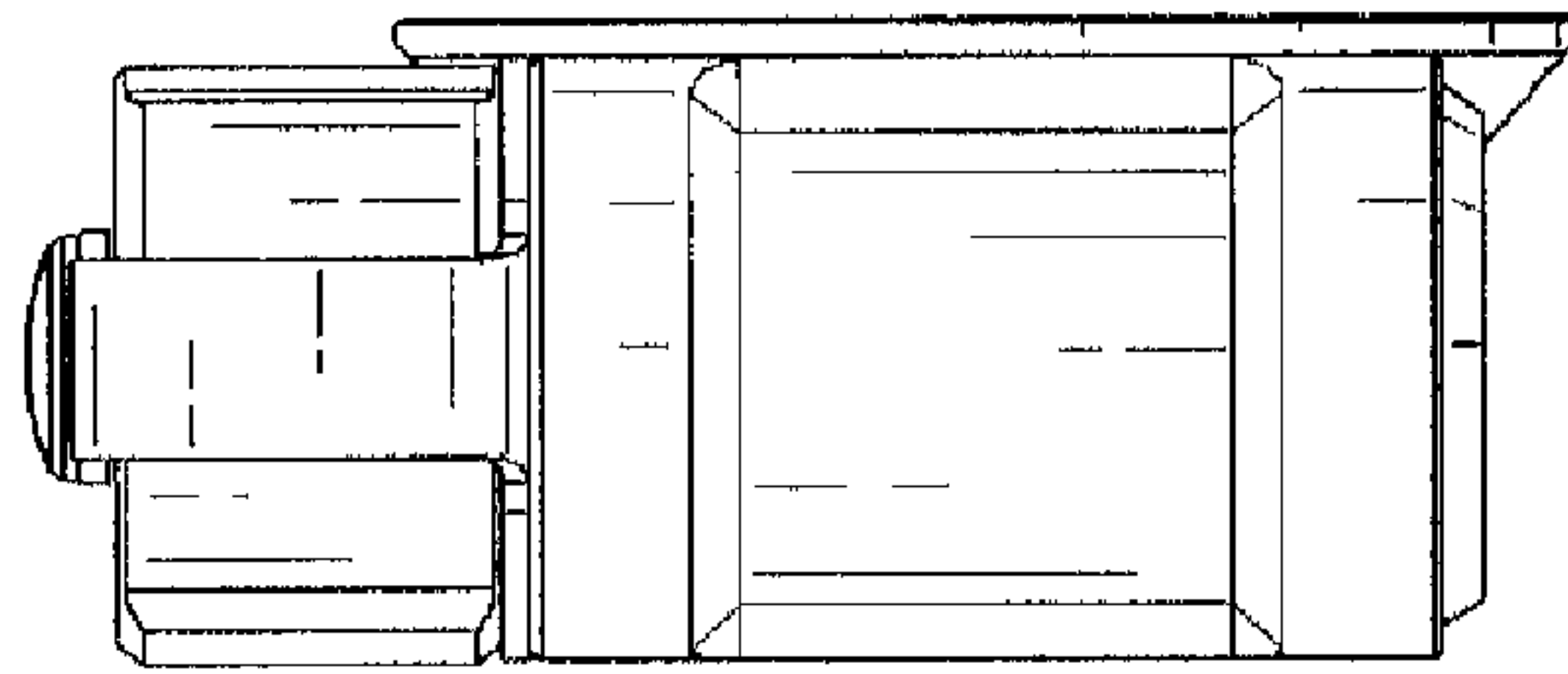


FIG. 5

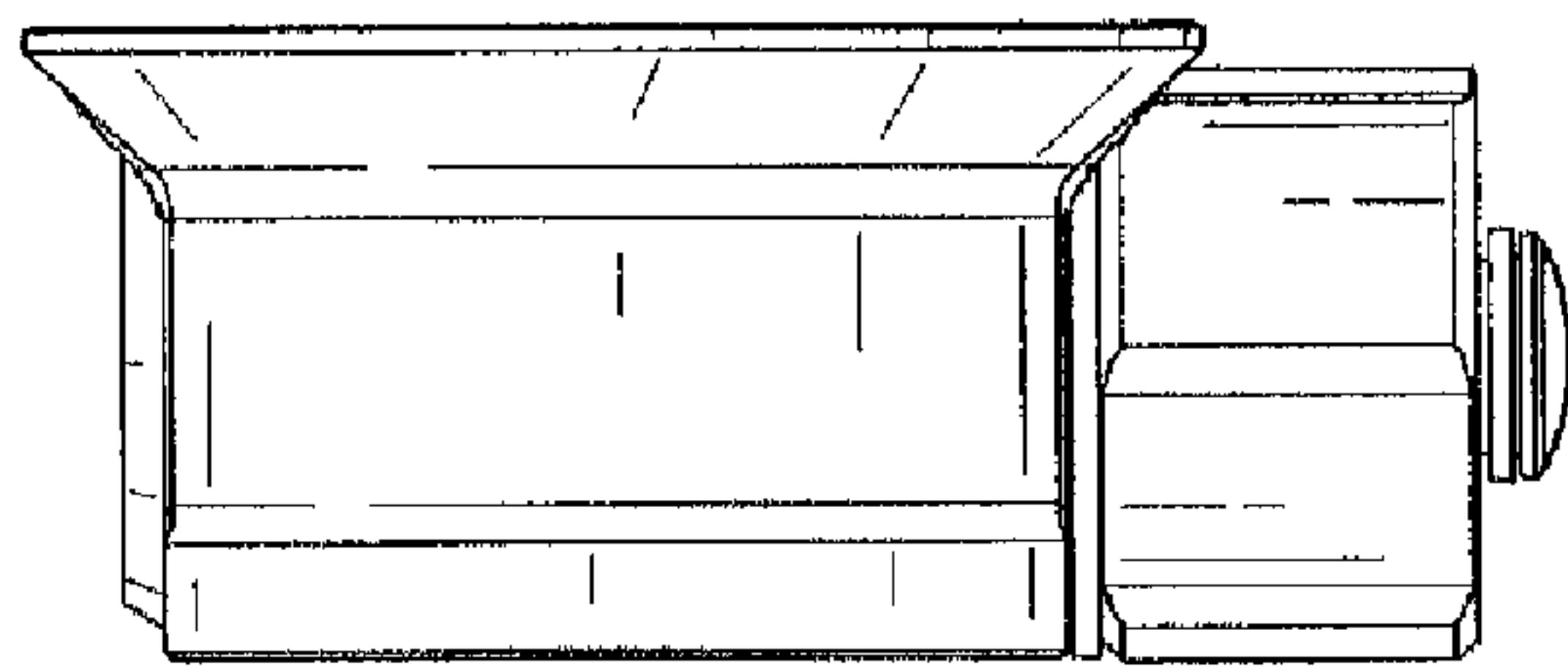


FIG. 4

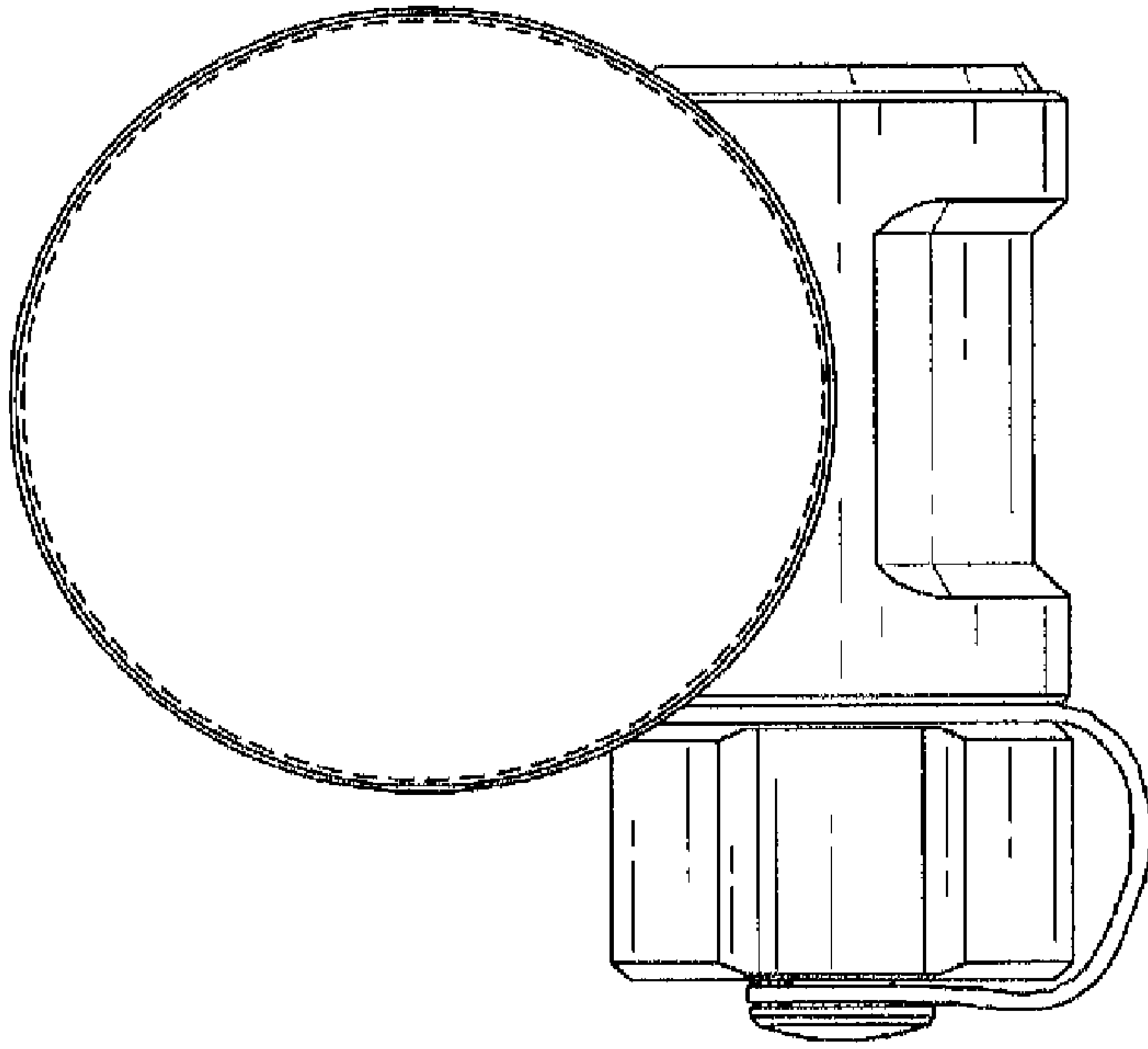


FIG. 9

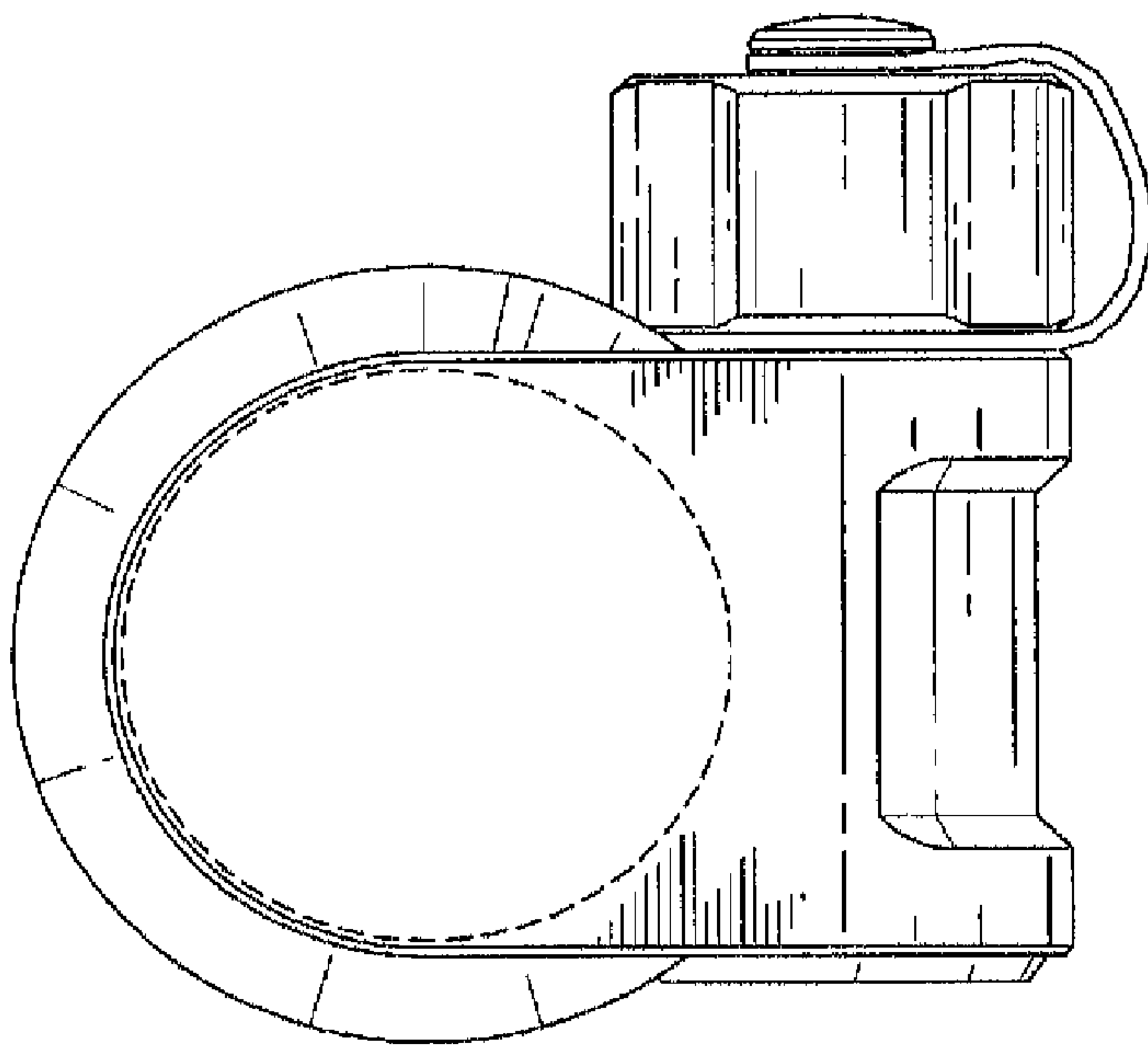


FIG. 8