



US00D674862S

(12) **United States Design Patent**
Johnston et al.

(10) **Patent No.:** **US D674,862 S**
(45) **Date of Patent:** **** Jan. 22, 2013**

(54) **ILLUMINATION DEVICE**
(75) Inventors: **William Johnston**, Sherwood, OR (US);
Frederick Karl, West Linn, OR (US);
Lewis A. Danielson, Newberg, OR (US)
(73) Assignee: **Crimson Trace, Inc.**, Wilsonville, OR
(US)
(**) Term: **14 Years**

(21) Appl. No.: **29/396,431**
(22) Filed: **Jun. 29, 2011**
(51) **LOC (9) Cl.** **22-01**
(52) **U.S. Cl.** **D22/109**
(58) **Field of Classification Search** D22/108-110,
D22/199; 89/111-133; 359/399, 409-411,
359/823, 744; 42/104, 105, 111-113, 116,
42/120, 124-126, 127-129, 141-148, 133-140;
33/227, 229; D16/130-136; D26/38-39
See application file for complete search history.

(56) **References Cited**

U.S. PATENT DOCUMENTS

5,107,612	A *	4/1992	Bechtel	42/115
5,430,967	A *	7/1995	Woodman et al.	42/114
5,435,091	A	7/1995	Toole et al.	
5,706,600	A	1/1998	Toole et al.	
5,784,823	A *	7/1998	Chen	42/115
6,393,752	B1 *	5/2002	Oliver et al.	42/114
6,571,503	B2 *	6/2003	Thorpe	42/114
6,578,311	B2 *	6/2003	Danielson et al.	42/114
7,260,910	B2	8/2007	Danielson	

7,472,830	B2	1/2009	Danielson	
D603,478	S *	11/2009	Hughes	D22/110
D616,957	S	6/2010	Rievley et al.	
7,743,547	B2	6/2010	Houde-Walter	
7,805,876	B1	10/2010	Danielson et al.	
D636,049	S	4/2011	Hughes et al.	
D636,837	S *	4/2011	Hughes et al.	D22/109
8,028,461	B2	10/2011	NuDyke	
2004/0068913	A1 *	4/2004	Solinsky et al.	42/146
2007/0193103	A1 *	8/2007	Cheng	42/111
2011/0047850	A1	3/2011	Rievley et al.	

* cited by examiner

Primary Examiner — Michael A Pratt

(74) *Attorney, Agent, or Firm* — Schwabe, Williamson & Wyatt, P.C.

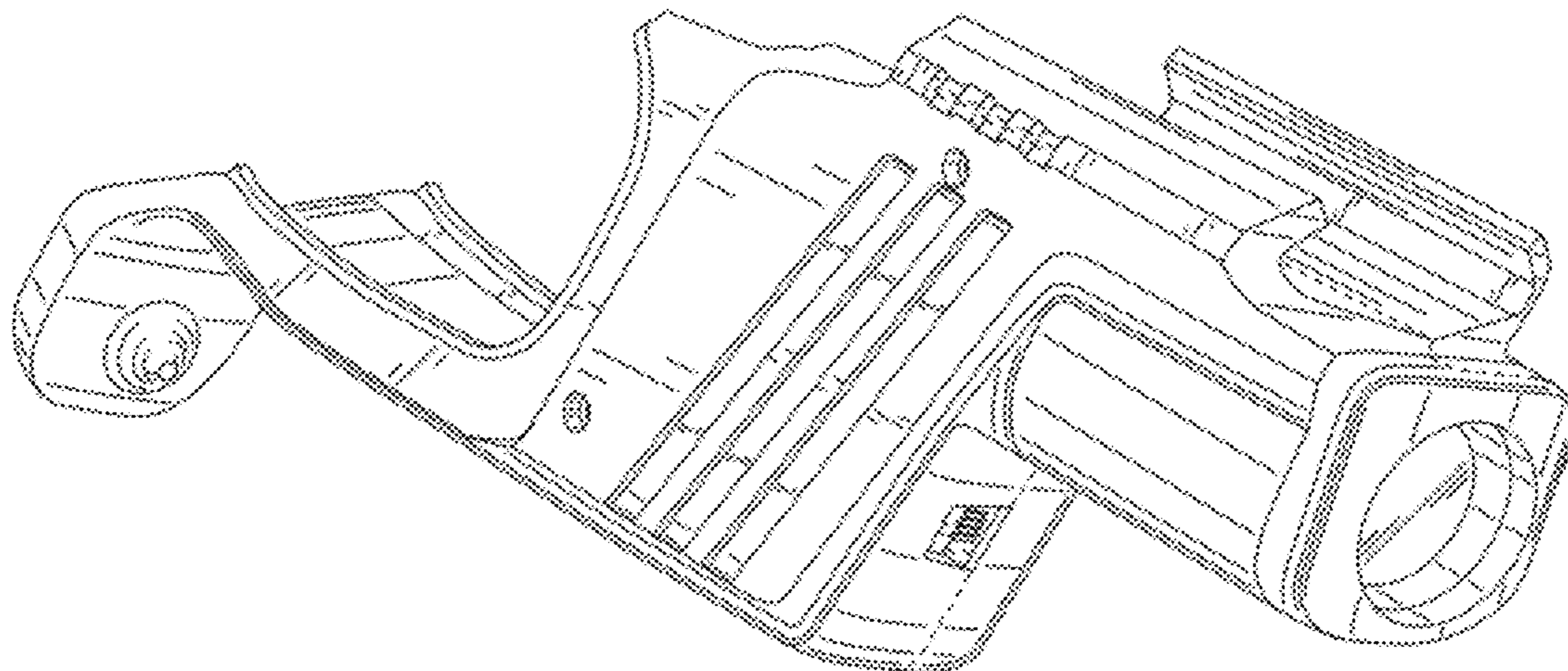
(57) **CLAIM**

I claim an ornamental design for an illumination device, as shown and described.

DESCRIPTION

FIG. 1 is a perspective view of a laser device, showing my new design;
FIG. 2 is a front view thereof;
FIG. 3 is a rear view thereof;
FIG. 4 is a right side view thereof;
FIG. 5 is a left side view thereof;
FIG. 6 is a top view thereof;
FIG. 7 is a bottom view thereof; and,
FIG. 8 is a side perspective view thereof.
The dashed lines are included for illustrating interior and/or environmental structures and form no part of the claimed design.

1 Claim, 6 Drawing Sheets



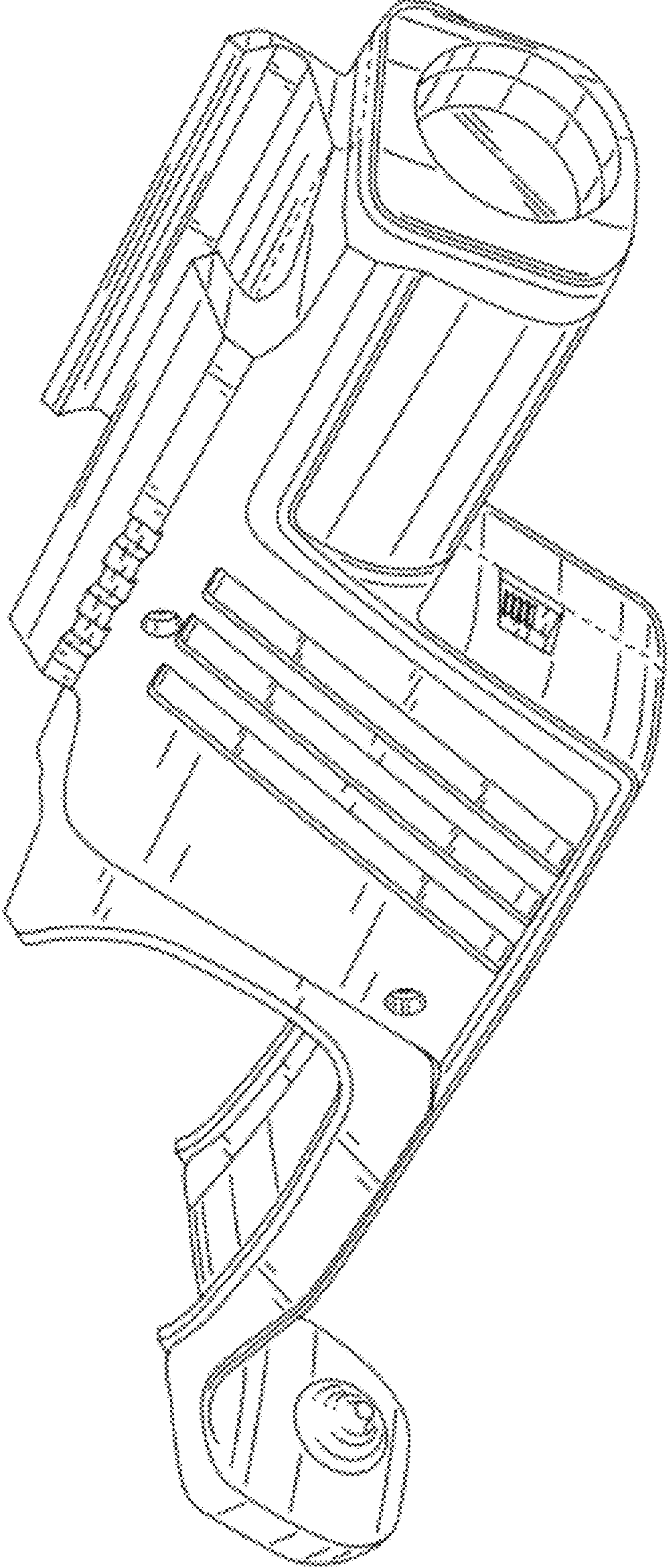


FIG. 1

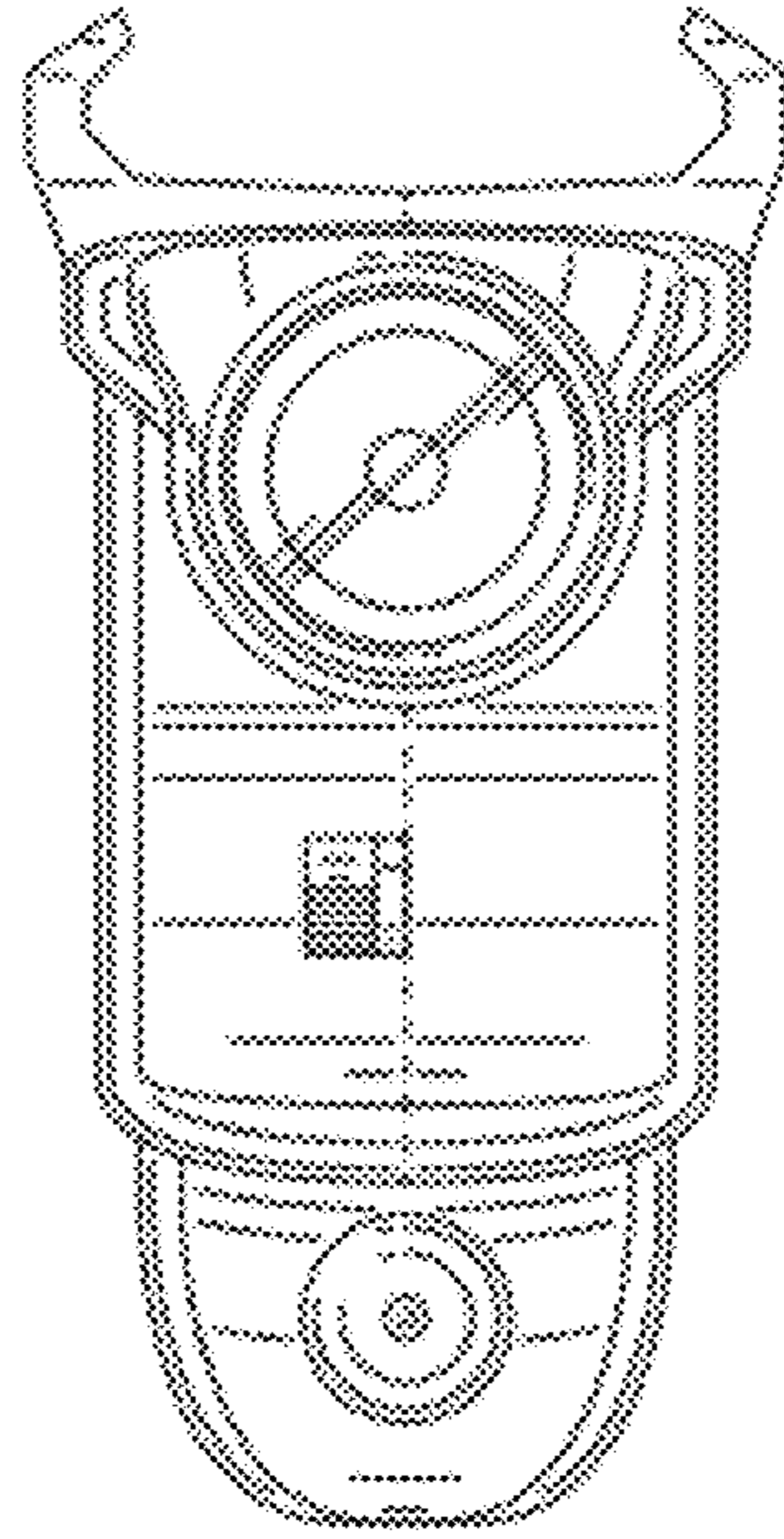


FIG. 2

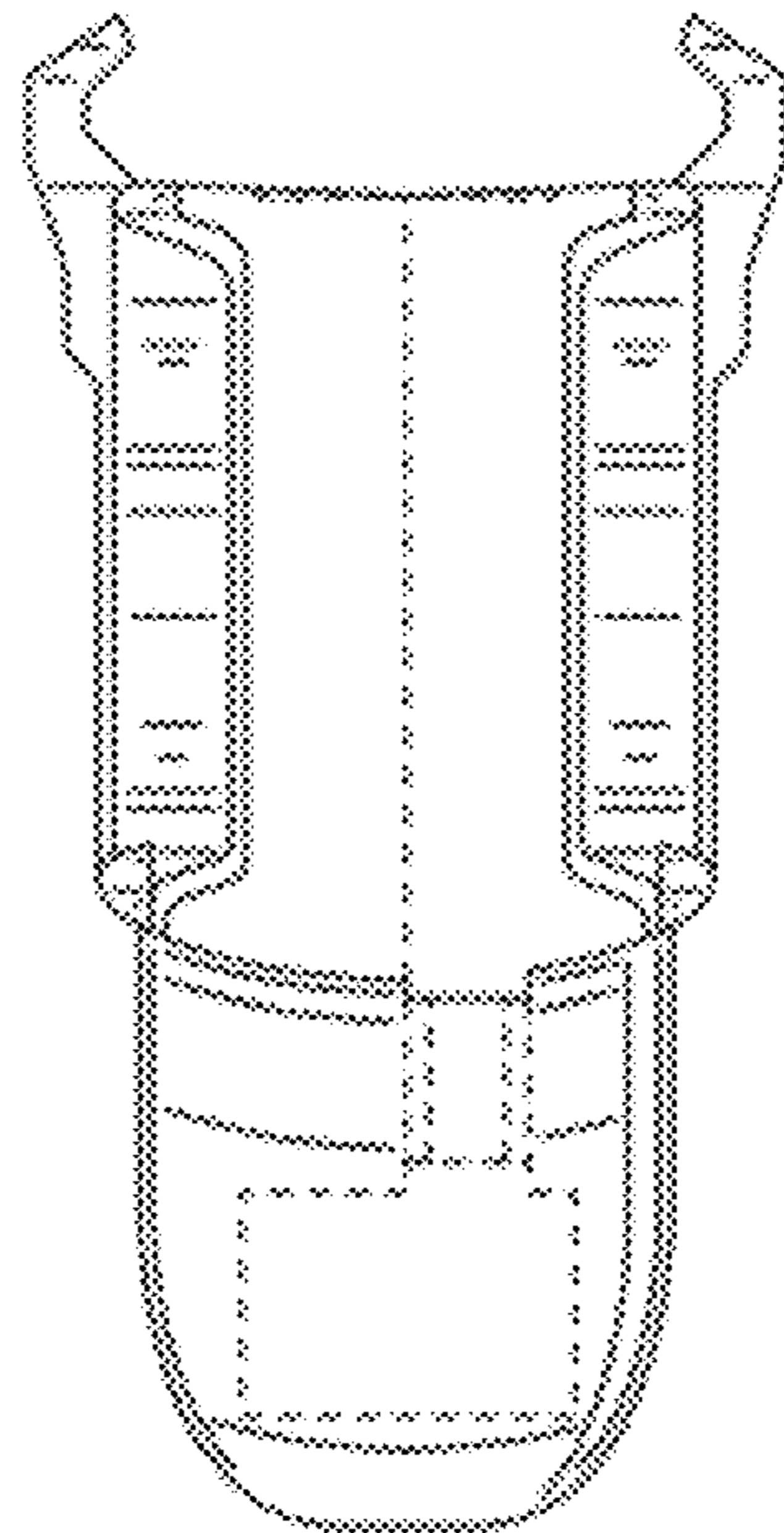


FIG. 3

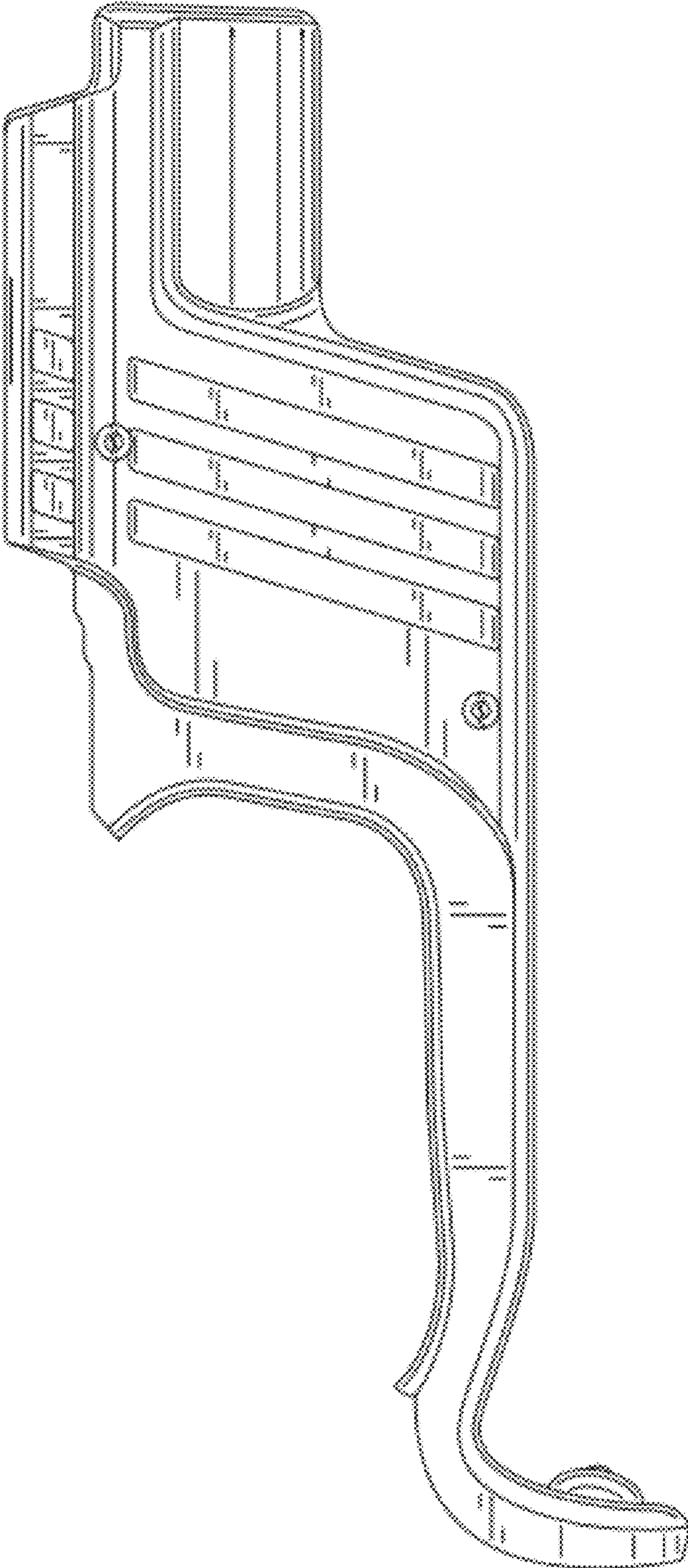


FIG. 4

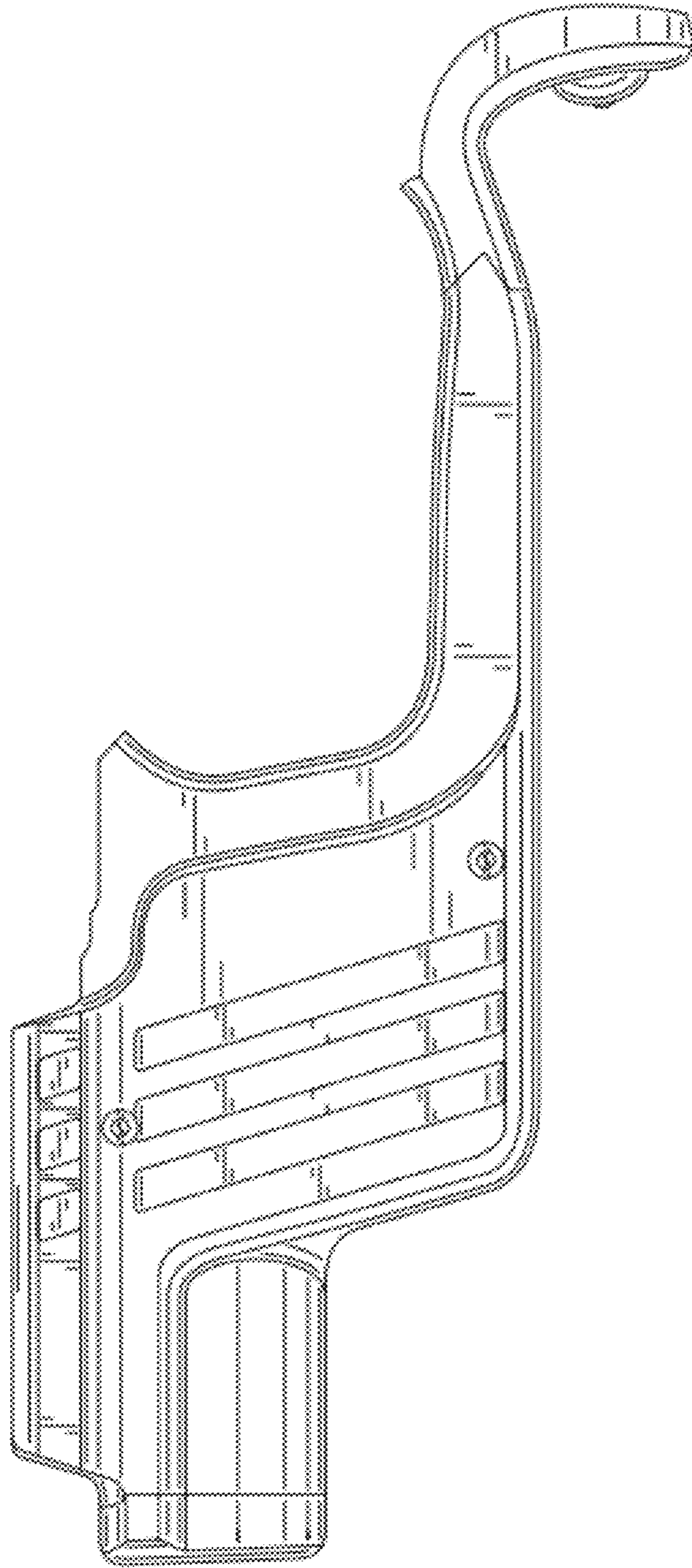


FIG. 5

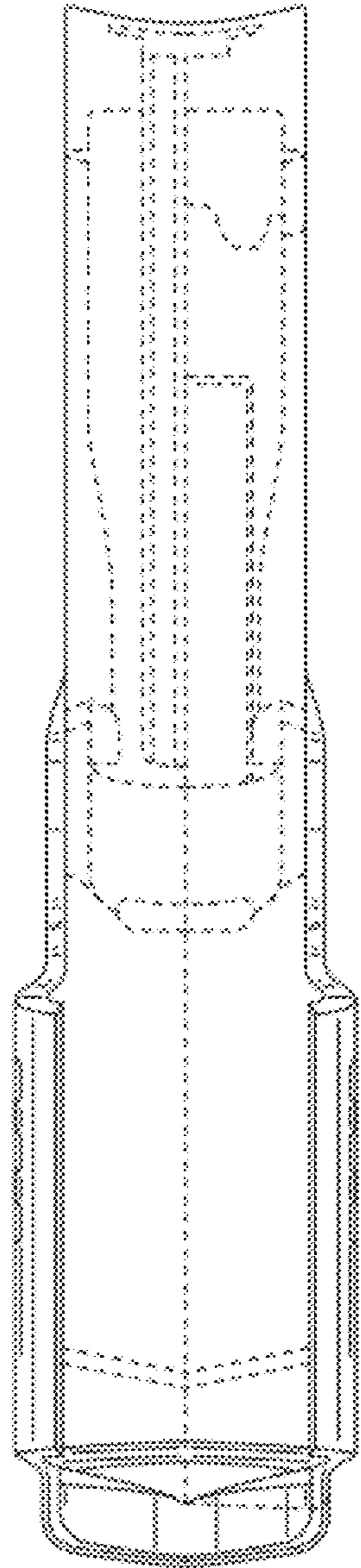


FIG. 6

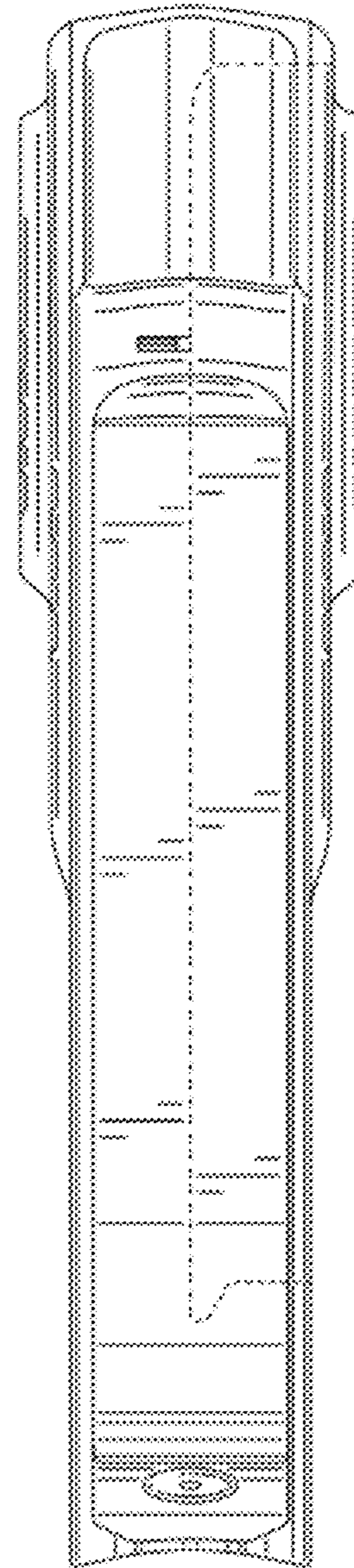


FIG. 7

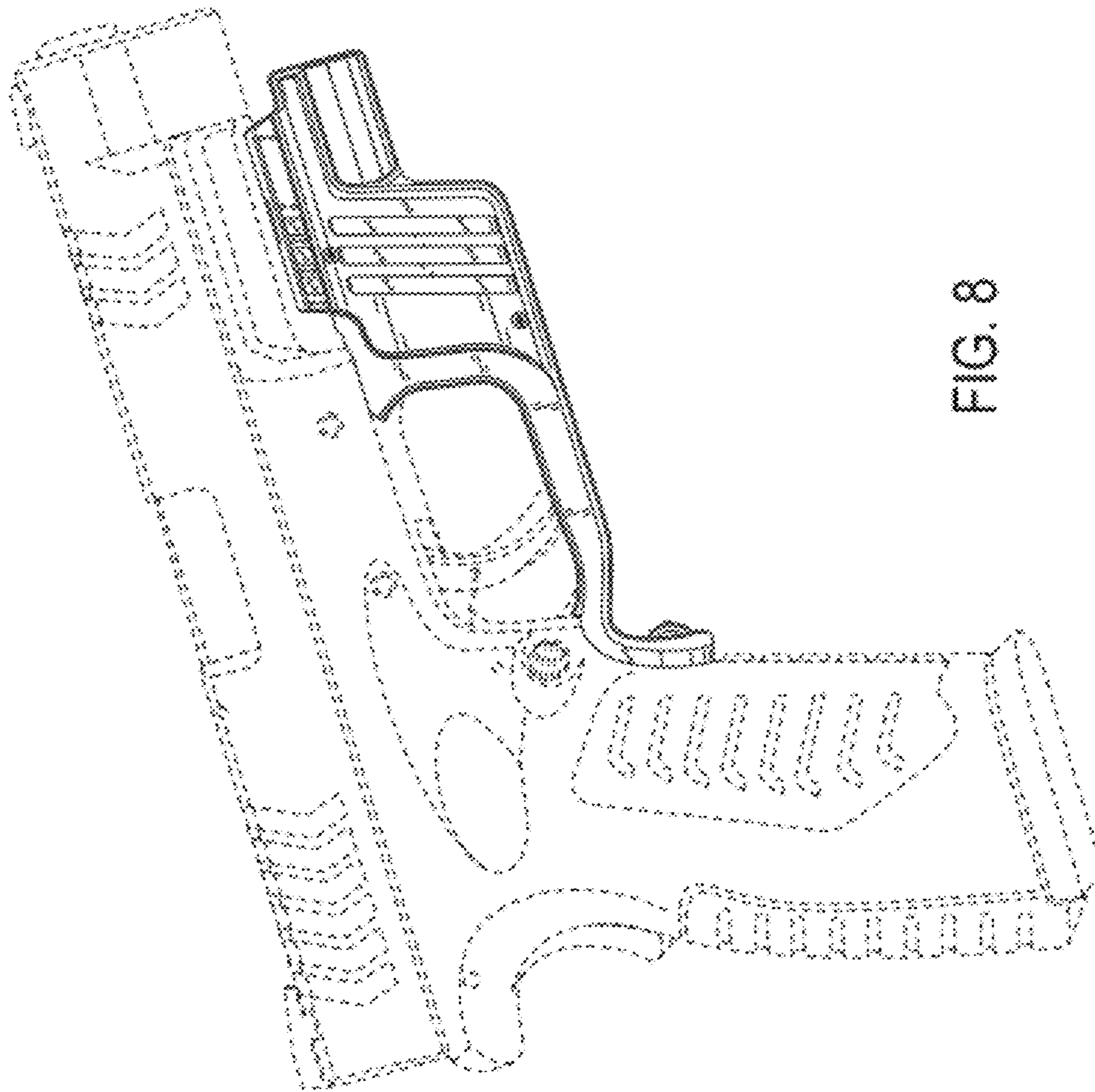


FIG. 8