



US00D674861S

(12) **United States Design Patent**  
**Johnston et al.**

(10) **Patent No.:** **US D674,861 S**  
(45) **Date of Patent:** **\*\* Jan. 22, 2013**

(54) **ILLUMINATION DEVICE**

(75) Inventors: **William Johnston**, Sherwood, OR (US);  
**Frederick Karl**, West Linn, OR (US);  
**Lewis A. Danielson**, Newberg, OR (US)

(73) Assignee: **Crimson Trace, Inc.**, Wilsonville, OR  
(US)

(\*\*) Term: **14 Years**

(21) Appl. No.: **29/396,429**

(22) Filed: **Jun. 29, 2011**

(51) **LOC (9) Cl.** ..... **22-01**

(52) **U.S. Cl.** ..... **D22/109**

(58) **Field of Classification Search** ..... D22/108–110,  
D22/199; 89/111–133; 359/399, 409–411,  
359/823, 744; 42/104, 105, 111–113, 116,  
42/120, 124–126, 127–129, 141–148, 133–140;  
33/227, 229; D16/130–136; D26/38–39

See application file for complete search history.

(56) **References Cited**

**U.S. PATENT DOCUMENTS**

5,107,612	A *	4/1992	Bechtel	.....	42/115
5,430,967	A *	7/1995	Woodman et al.	.....	42/114
5,435,091	A	7/1995	Toole et al.		
5,706,600	A	1/1998	Toole et al.		
5,784,823	A *	7/1998	Chen	.....	42/115
6,393,752	B1 *	5/2002	Oliver et al.	.....	42/114
6,571,503	B2 *	6/2003	Thorpe	.....	42/114
6,578,311	B2 *	6/2003	Danielson et al.	.....	42/114
7,260,910	B2	8/2007	Danielson		
7,472,830	B2	1/2009	Danielson		

D603,478	S *	11/2009	Hughes	.....	D22/110
D616,957	S	6/2010	Rievley et al.		
7,743,547	B2	6/2010	Houde-Walter		
7,805,876	B1	10/2010	Danielson et al.		
D636,049	S	4/2011	Hughes et al.		
D636,837	S *	4/2011	Hughes et al.	.....	D22/109
8,028,461	B2	10/2011	NuDyke		
2004/0068913	A1 *	4/2004	Solinsky et al.	.....	42/146
2007/0193103	A1 *	8/2007	Cheng	.....	42/111
2011/0047850	A1	3/2011	Rievley et al.		

\* cited by examiner

*Primary Examiner* — Michael A Pratt

(74) *Attorney, Agent, or Firm* — Schwabe, Williamson & Wyatt, P.C.

(57) **CLAIM**

We claim an ornamental design for an illumination device, as shown and described.

**DESCRIPTION**

FIG. 1 is a perspective view of one embodiment of the present invention;

FIG. 2 is a front view of the embodiment of FIG. 1;

FIG. 3 is a rear view of the embodiment of FIG. 1;

FIG. 4 is a right side view of the embodiment of FIG. 1;

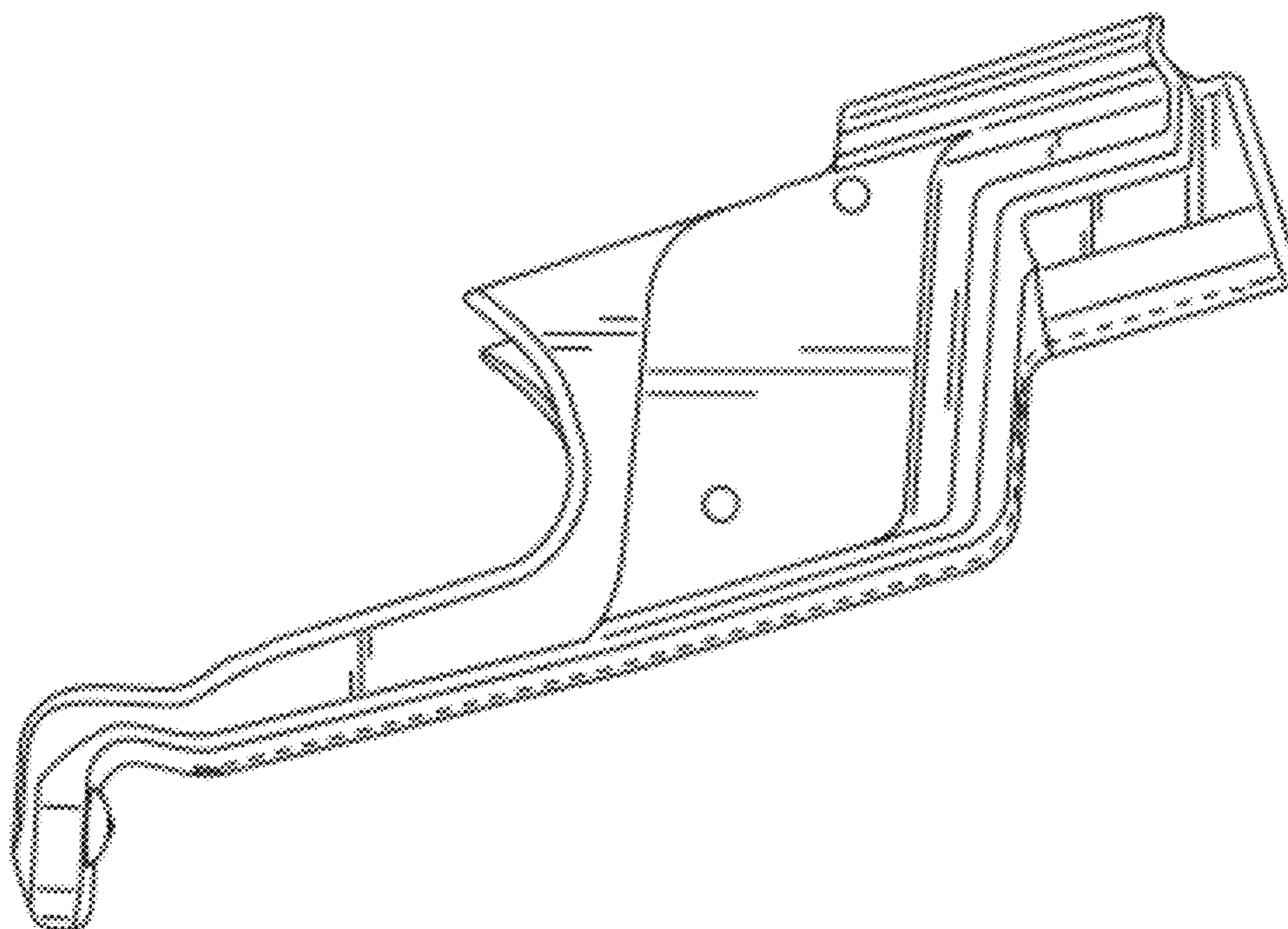
FIG. 5 is a left side view of the embodiment of FIG. 1 and the opposite side of FIG. 4;

FIG. 6 is a top view of the embodiment of FIG. 1;

FIG. 7 is a bottom view of the embodiment of FIG. 1; and,

FIG. 8 is a side perspective view of the embodiment of FIG. 1.

**1 Claim, 6 Drawing Sheets**



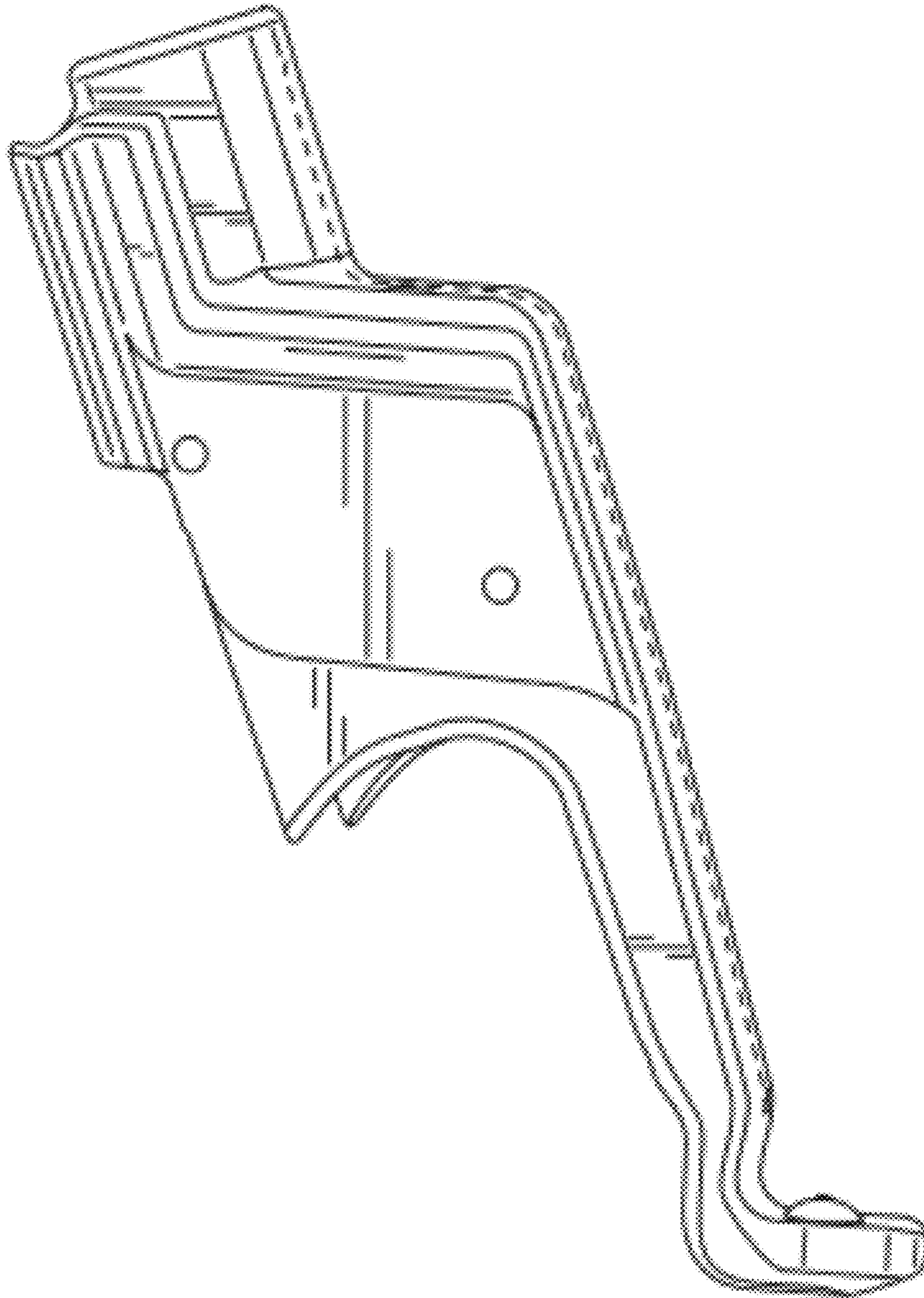


FIG. 1

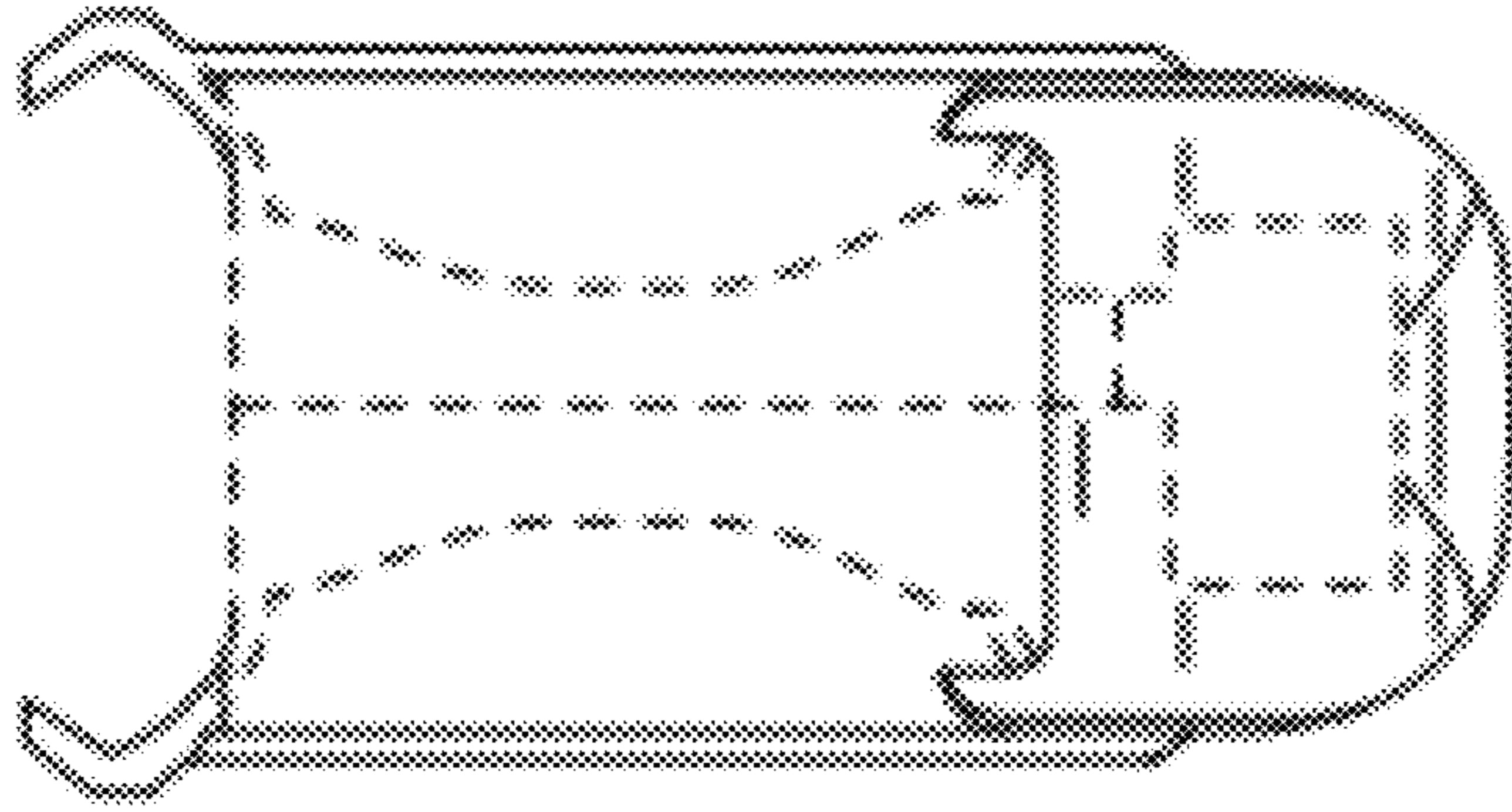


FIG. 3

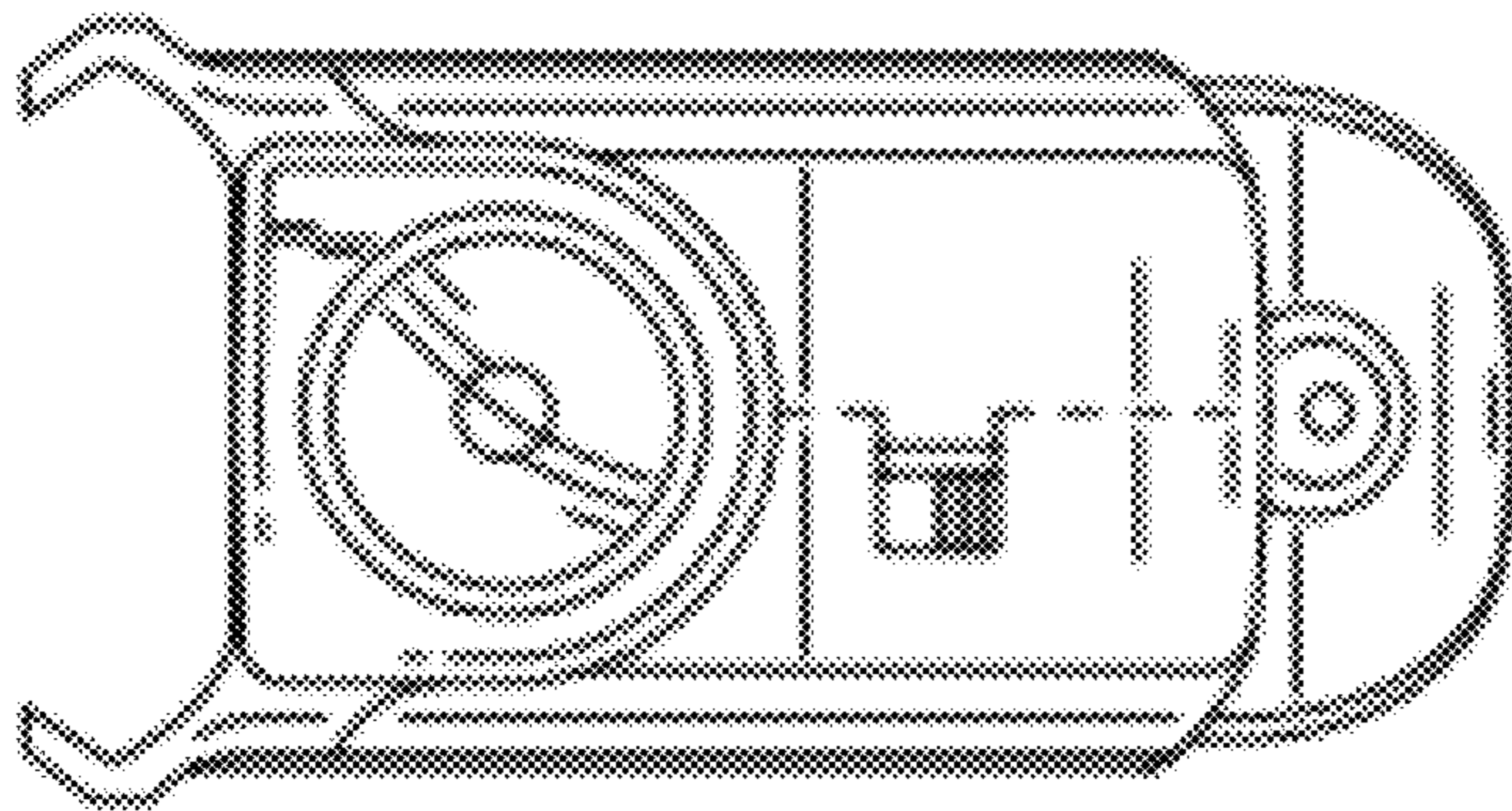


FIG. 2



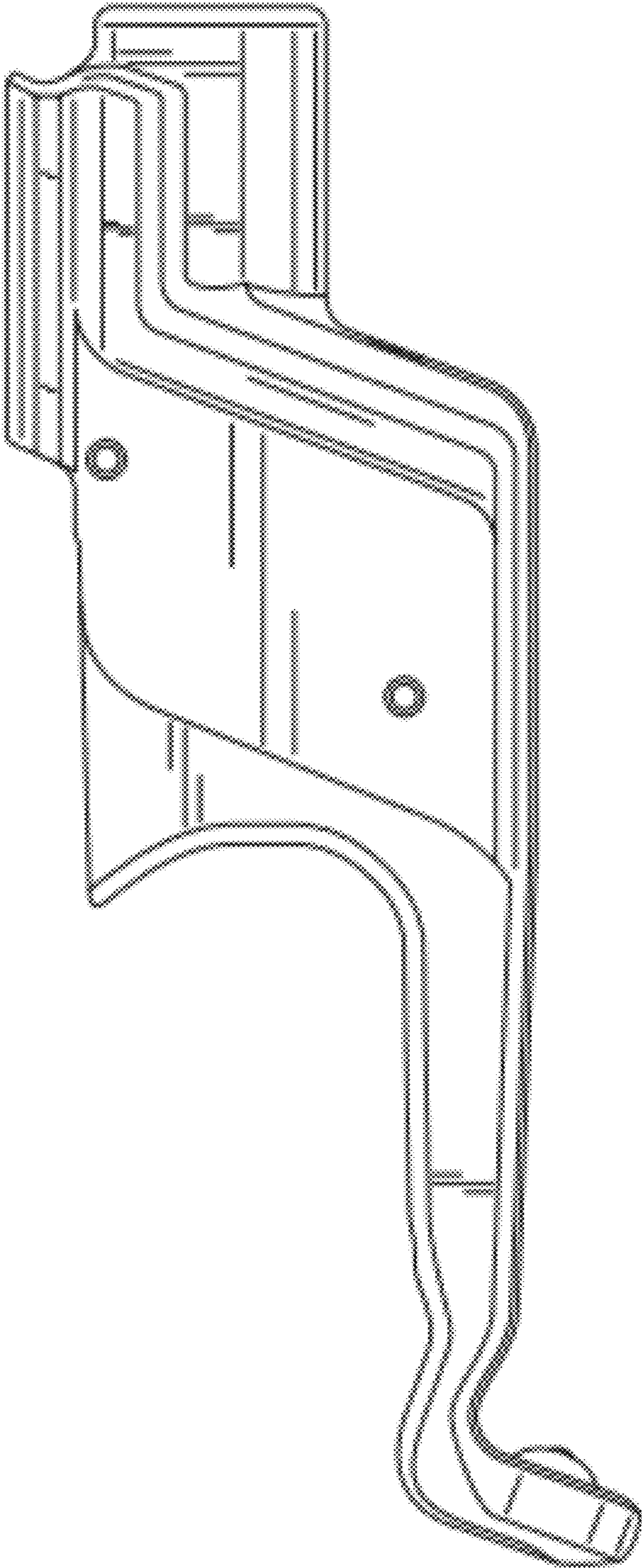


FIG. 4

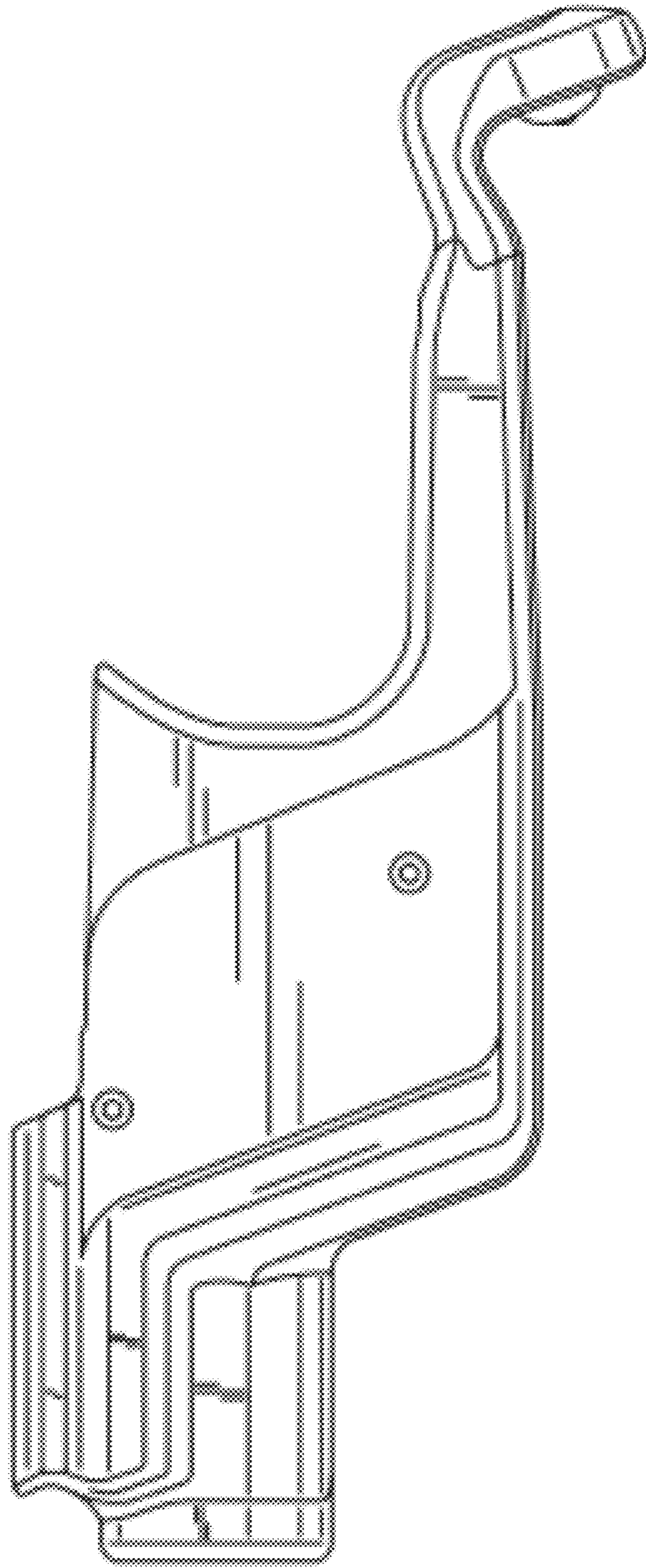


FIG. 5



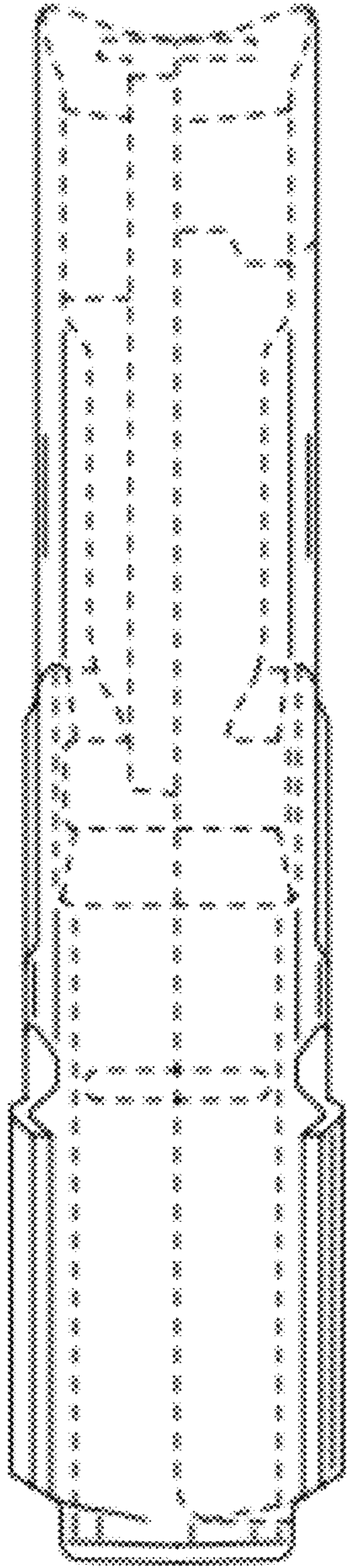


FIG. 6

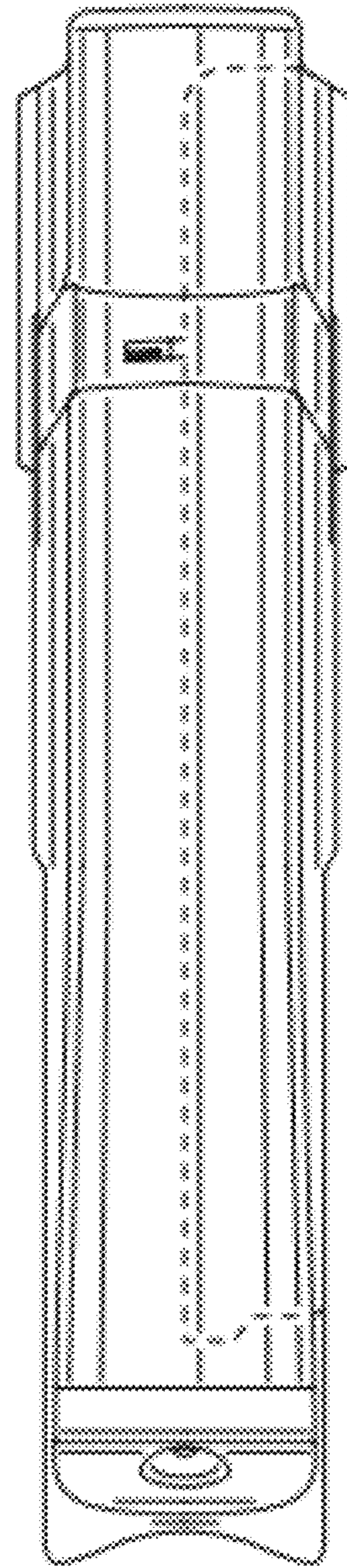


FIG. 7

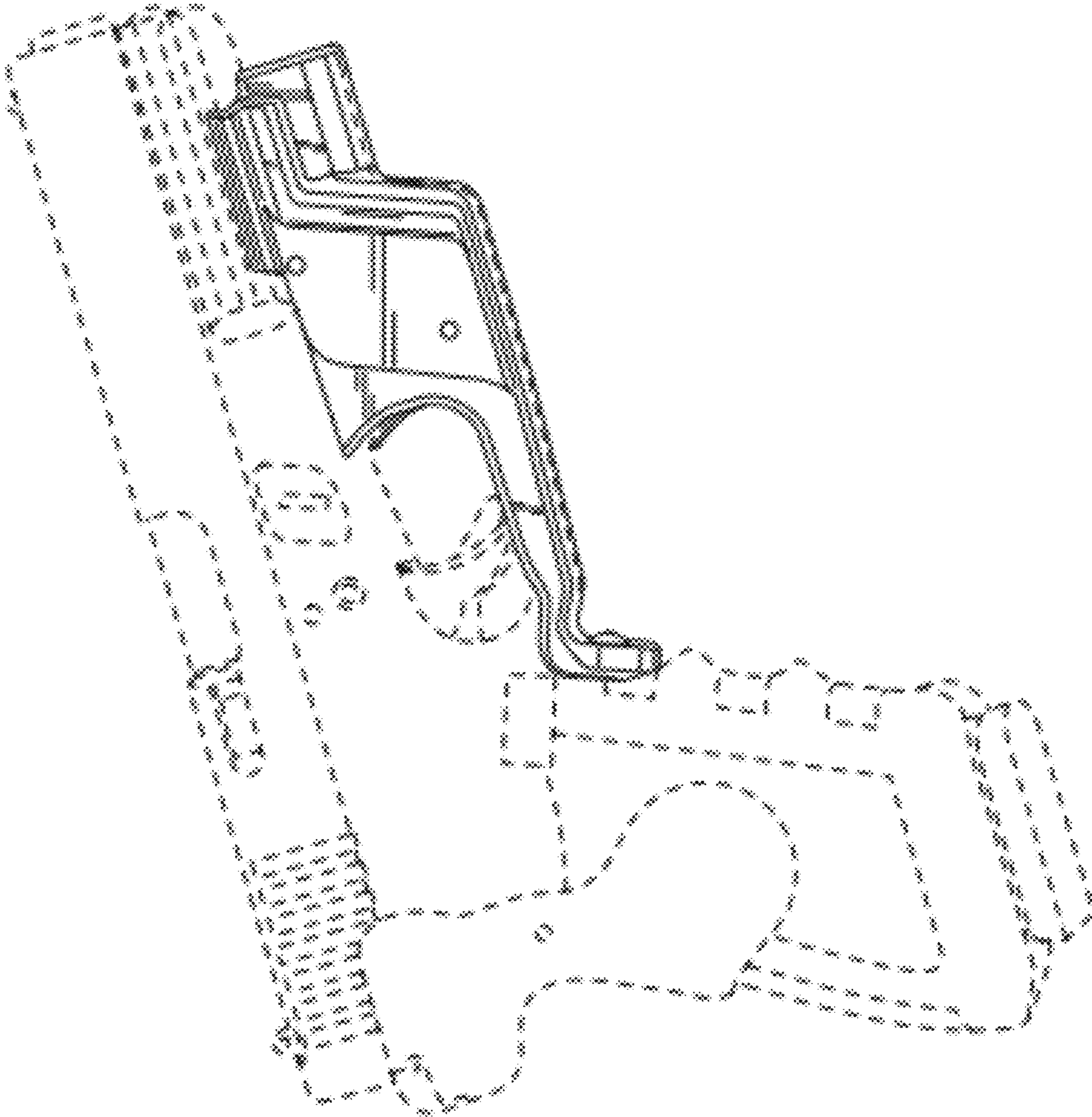


FIG. 8