



US00D674860S

(12) **United States Design Patent**
Deros

(10) **Patent No.:** **US D674,860 S**
(45) **Date of Patent:** **** Jan. 22, 2013**

(54) **FIREARM ACCESSORY RAIL WITH SLOT ADAPTER**

(76) Inventor: **Mark A. Deros**, Lubbock, TX (US)

(**) Term: **14 Years**

(21) Appl. No.: **29/398,556**

(22) Filed: **Aug. 2, 2011**

(51) **LOC (9) Cl.** **22-01**

(52) **U.S. Cl.** **D22/108**

(58) **Field of Classification Search** D22/100,
D22/108, 109, 110, 199; 42/11, 113, 116,
42/119, 124, 125, 127, 90, 145, 128, 72,
42/106, 114, 85, 75.02, 71.01; 248/205.1,
248/201

See application file for complete search history.

(56) **References Cited**

U.S. PATENT DOCUMENTS

D500,114	S *	12/2004	Oz	D22/109
7,430,828	B2 *	10/2008	Munst	42/72
7,430,829	B2 *	10/2008	Murello	42/124
7,685,758	B2 *	3/2010	Romer	42/124
7,823,316	B2 *	11/2010	Storch et al.	42/90
7,845,267	B2 *	12/2010	Potterfield et al.	89/37.04
D637,683	S *	5/2011	Salsman, Sr.	D22/108
8,104,211	B2 *	1/2012	Darian	42/90
8,104,218	B2 *	1/2012	McCann	42/144

D654,134	S *	2/2012	Edge et al.	D22/108
8,136,284	B2 *	3/2012	Moody et al.	42/72
8,166,694	B2 *	5/2012	Swan	42/90
2007/0271834	A1 *	11/2007	Keng	42/124
2011/0036236	A1 *	2/2011	Potterfield et al.	89/37.04
2011/0146128	A1 *	6/2011	Haering	42/90
2011/0167703	A1 *	7/2011	Deros	42/90
2011/0168151	A1 *	7/2011	Kingsbury et al.	124/89
2011/0214330	A1 *	9/2011	Potterfield et al.	42/94
2012/0030986	A1 *	2/2012	Swan et al.	42/85
2012/0085012	A1 *	4/2012	Potterfield et al.	42/94

* cited by examiner

Primary Examiner — Michael A Pratt

(74) *Attorney, Agent, or Firm* — Sarah Hegi Simpson; McWhorter, Cobb & Johnson, LLP

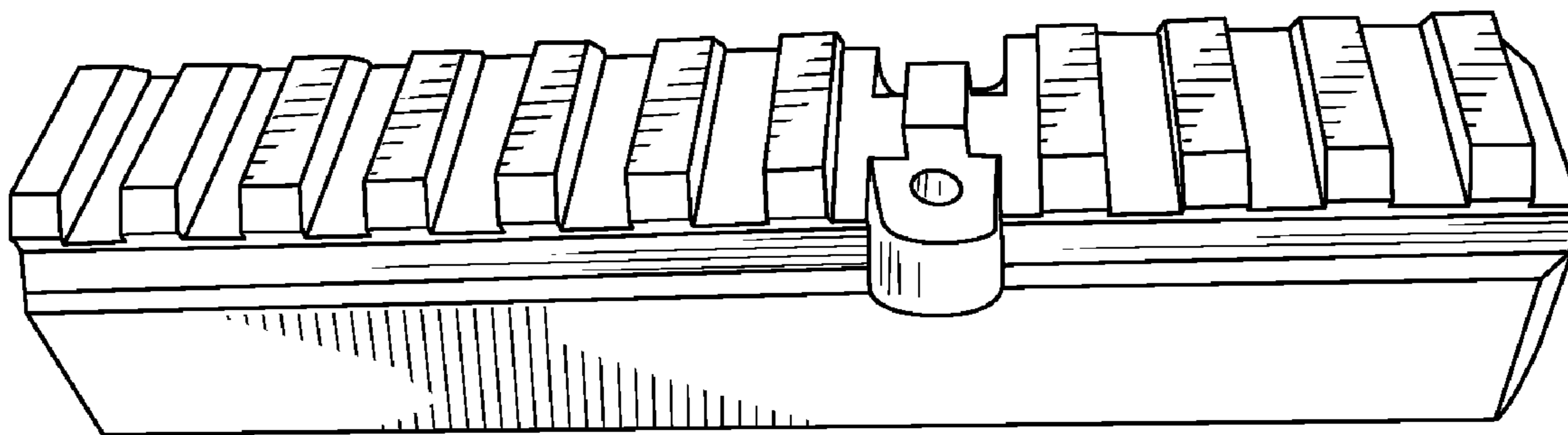
(57) **CLAIM**

I claim the ornamental design for a firearm accessory rail with slot adapter, as shown and described.

DESCRIPTION

FIG. 1 is a side perspective view of a firearm accessory rail with slot adapter showing my new design; FIG. 2 is a top perspective view of the firearm accessory rail with slot adapter of FIG. 1; FIG. 3 is a top view of the firearm accessory rail with slot adapter of FIG. 1; and, FIG. 4 is a side view of the firearm accessory rail with slot adapter of FIG. 1.

1 Claim, 2 Drawing Sheets



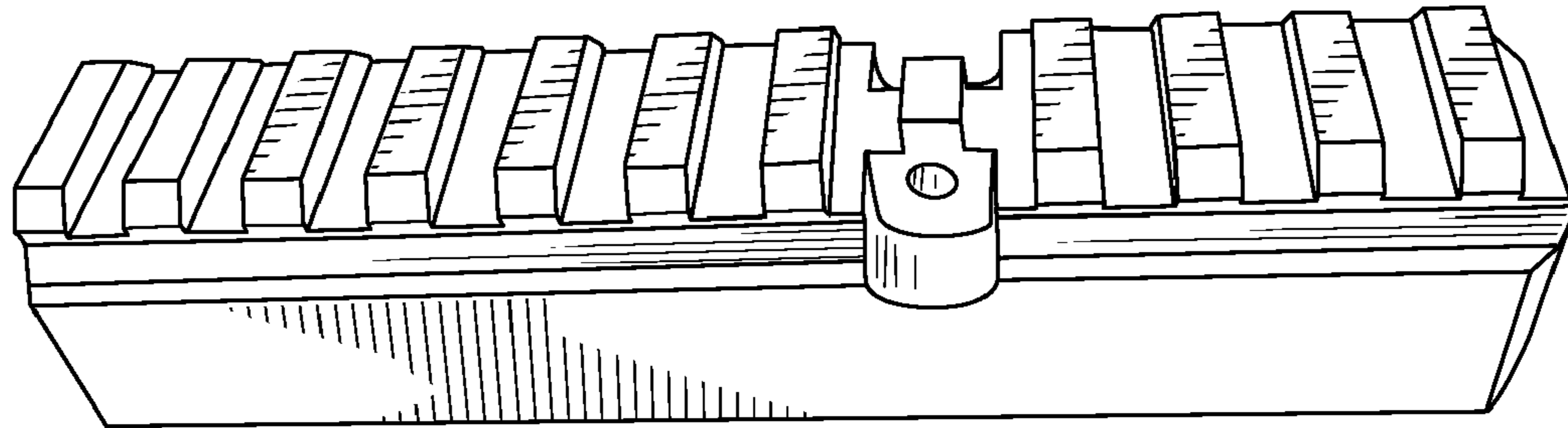


FIG. 1

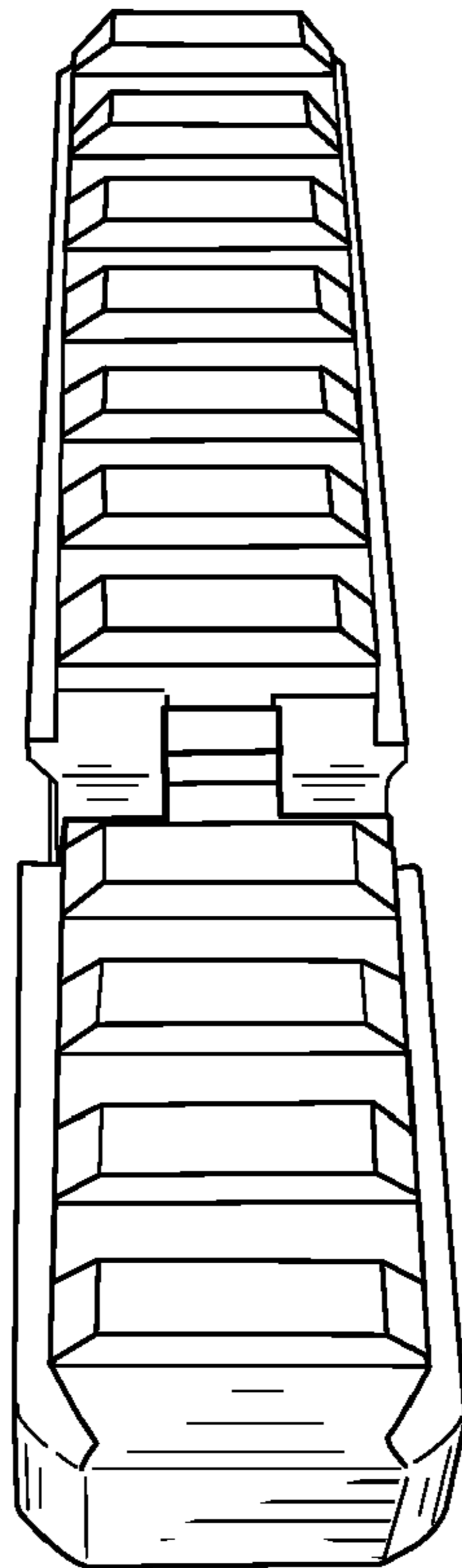


FIG. 2

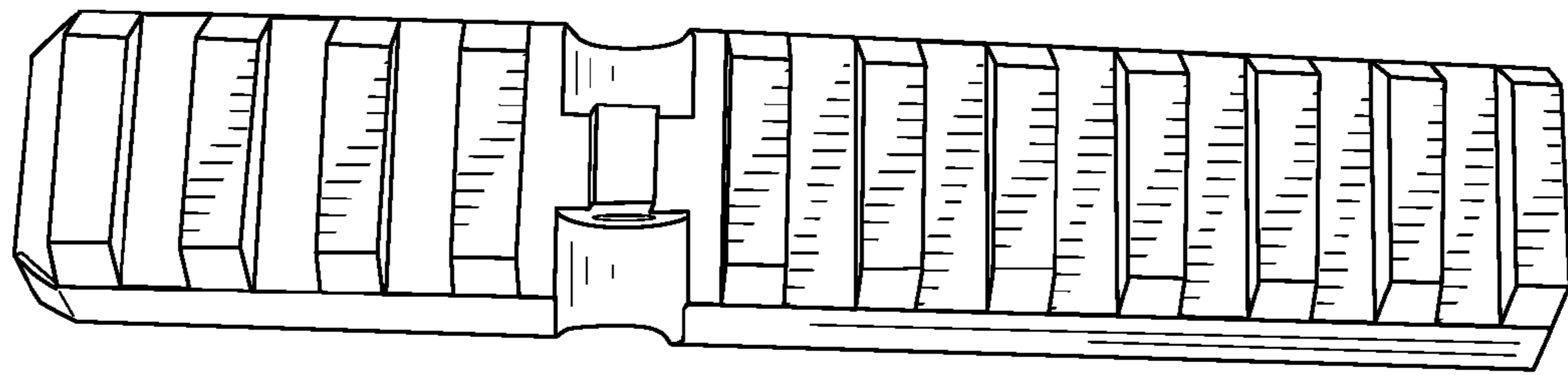


FIG. 3

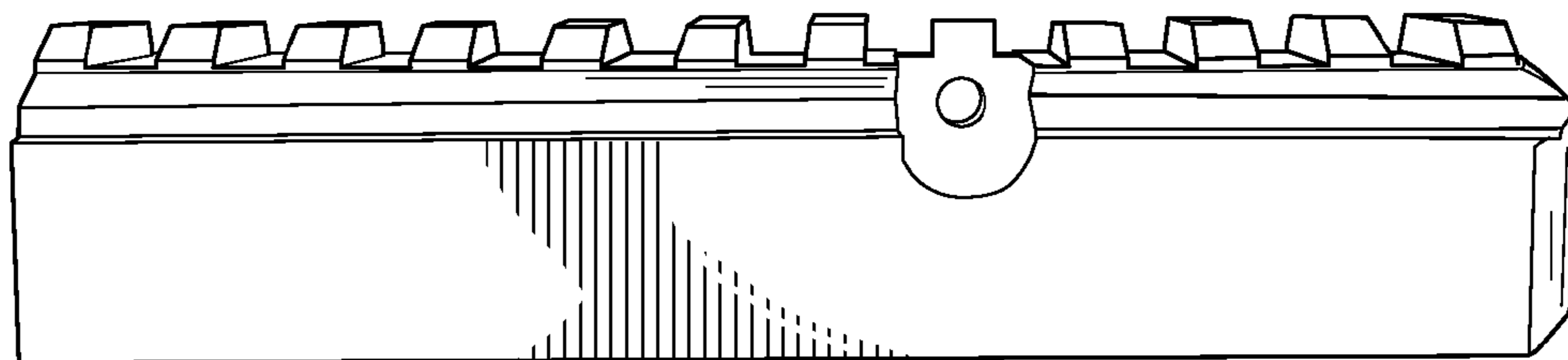


FIG. 4