



US00D674858S

(12) **United States Design Patent**
Galli

(10) **Patent No.:** **US D674,858 S**

(45) **Date of Patent:** **** Jan. 22, 2013**

(54) **WEAPON MOUNTED LIGHT**

(75) Inventor: **Robert D. Galli**, North Kingstown, RI (US)

(73) Assignee: **Emissive Energy Corporation**, North Kingstown, RI (US)

(**) Term: **14 Years**

(21) Appl. No.: **29/380,236**

(22) Filed: **Dec. 2, 2010**

(51) **LOC (9) Cl.** **22-01**

(52) **U.S. Cl.** **D22/108**

(58) **Field of Classification Search** D22/100,
D22/108, 109; D26/37, 46, 47, 48, 49, 158,
D26/183, 184, 187, 192, 193, 194-196, 200-208;
362/157-158, 183, 184, 190, 194, 195, 196,
362/197, 202-208

See application file for complete search history.

(56) **References Cited**

U.S. PATENT DOCUMENTS

| | | | | |
|--------------|------|---------|-----------------|---------|
| 5,430,967 | A * | 7/1995 | Woodman et al. | 42/114 |
| D398,410 | S * | 9/1998 | Fell et al. | D26/38 |
| D548,385 | S * | 8/2007 | Sharrah et al. | D26/60 |
| D567,894 | S | 4/2008 | Sterling et al. | |
| 7,614,760 | B2 * | 11/2009 | Sharrah et al. | 362/111 |
| D612,970 | S * | 3/2010 | Sharrah et al. | D26/60 |
| 7,731,380 | B2 * | 6/2010 | Wu | 362/113 |
| 7,735,255 | B1 * | 6/2010 | Kincaid et al. | 42/146 |
| D628,323 | S * | 11/2010 | Matthews et al. | D26/24 |
| D628,324 | S * | 11/2010 | Matthews et al. | D26/24 |
| 7,905,624 | B2 * | 3/2011 | Bushee et al. | 362/206 |
| 2007/0240355 | A1 * | 10/2007 | Hsu | 42/115 |
| 2009/0122527 | A1 * | 5/2009 | Galli | 362/110 |

* cited by examiner

Primary Examiner — Michael A Pratt

(74) *Attorney, Agent, or Firm* — Barlow, Josephs & Holmes, Ltd.

(57) **CLAIM**

The ornamental design for a weapon mounted light, as shown and described.

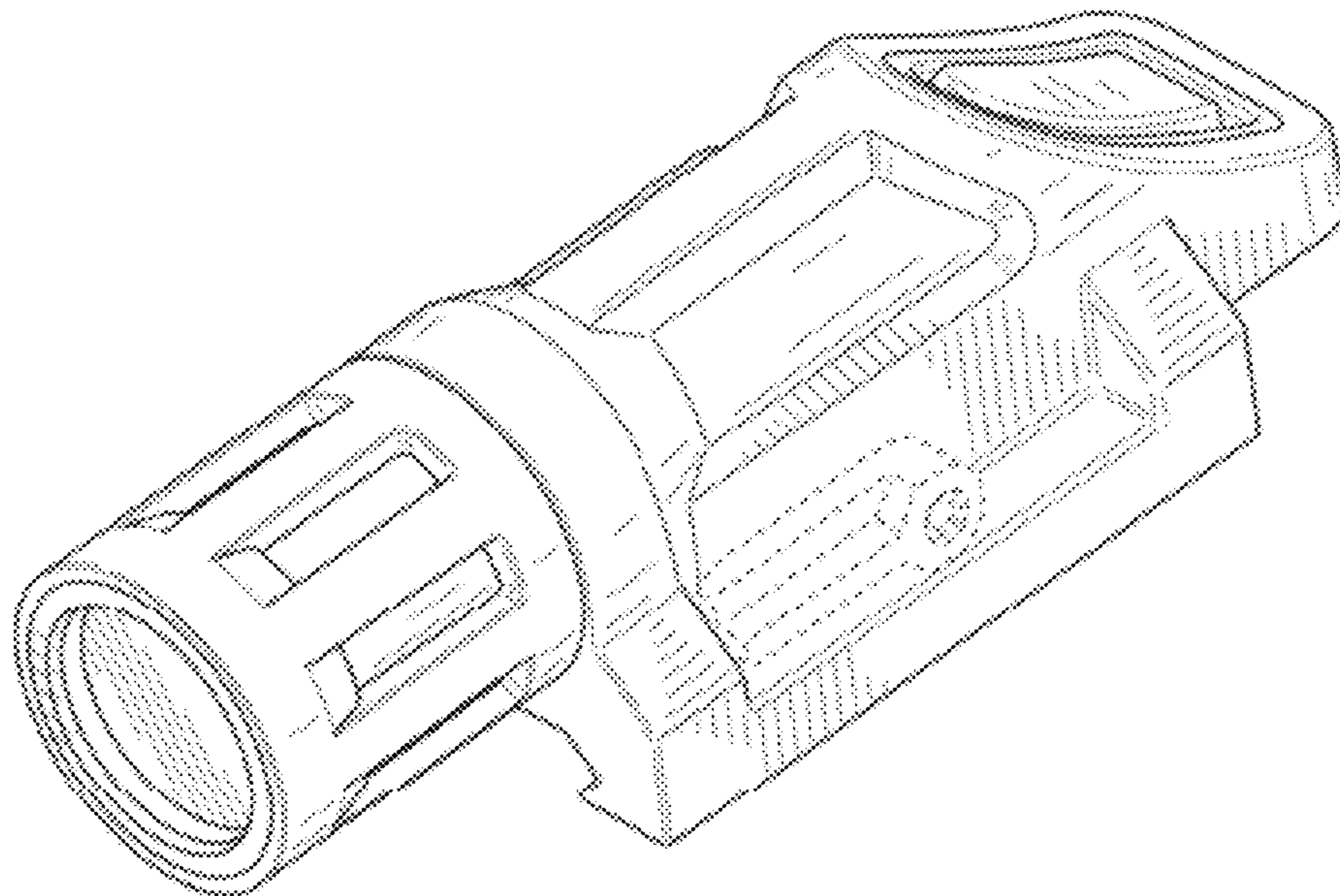
DESCRIPTION

FIG. 1 is a front perspective view showing my new design for a weapon mounted light;
 FIG. 2 is a rear perspective view thereof;
 FIG. 3 is a front view thereof;
 FIG. 4 is a rear view thereof;
 FIG. 5 is a right side view thereof;
 FIG. 6 is a left side view thereof;
 FIG. 7 is a top view thereof;
 FIG. 8 is a bottom view thereof;
 FIG. 9 is a front perspective view showing an alternate embodiment of my new design for a weapon mounted light;
 FIG. 10 is a rear perspective view thereof;
 FIG. 11 is a front view thereof;
 FIG. 12 is a rear view thereof;
 FIG. 13 is a right side view thereof;
 FIG. 14 is a left side view thereof;
 FIG. 15 is a top view thereof; and,
 FIG. 16 is a bottom view thereof.

The subject matter depicted in FIGS. 1 through 16 has been shown for illustrative purposes only and forms no part of the claimed design.

The broken line showing of portions of the weapon mounted light is included for the purpose of illustrating environment and forms no part of the claimed design.

1 Claim, 10 Drawing Sheets



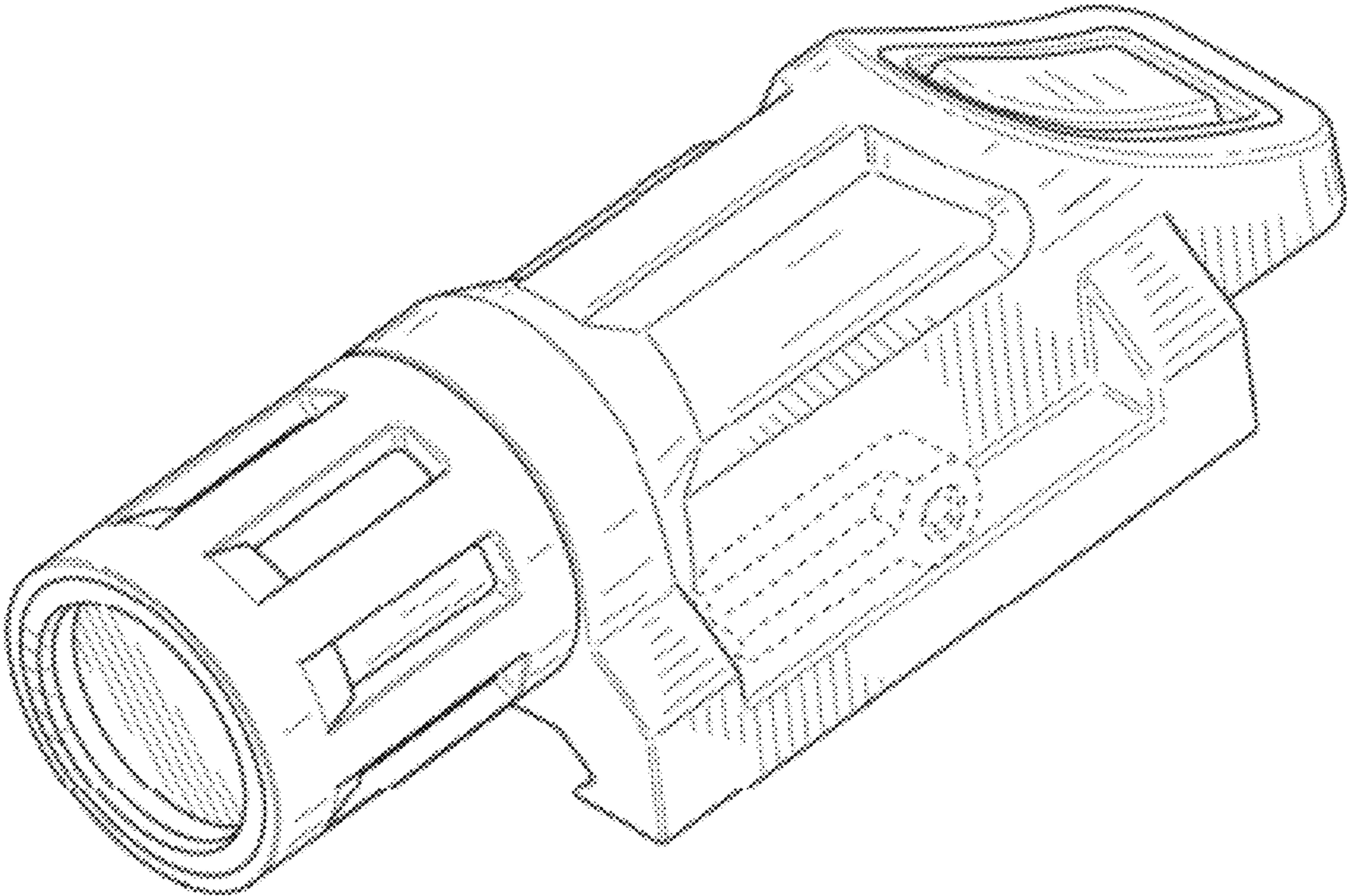


FIG. 1

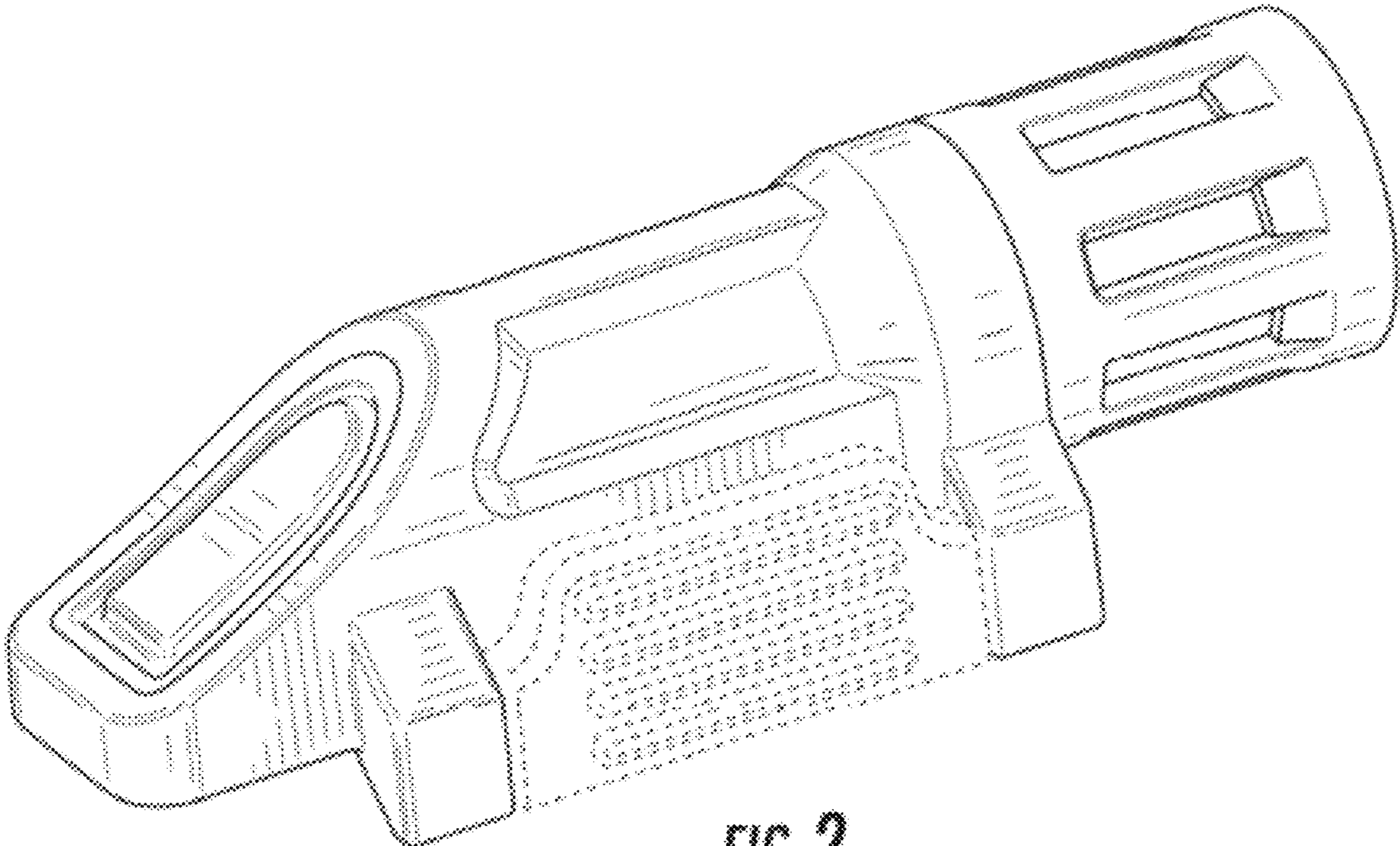


FIG. 2

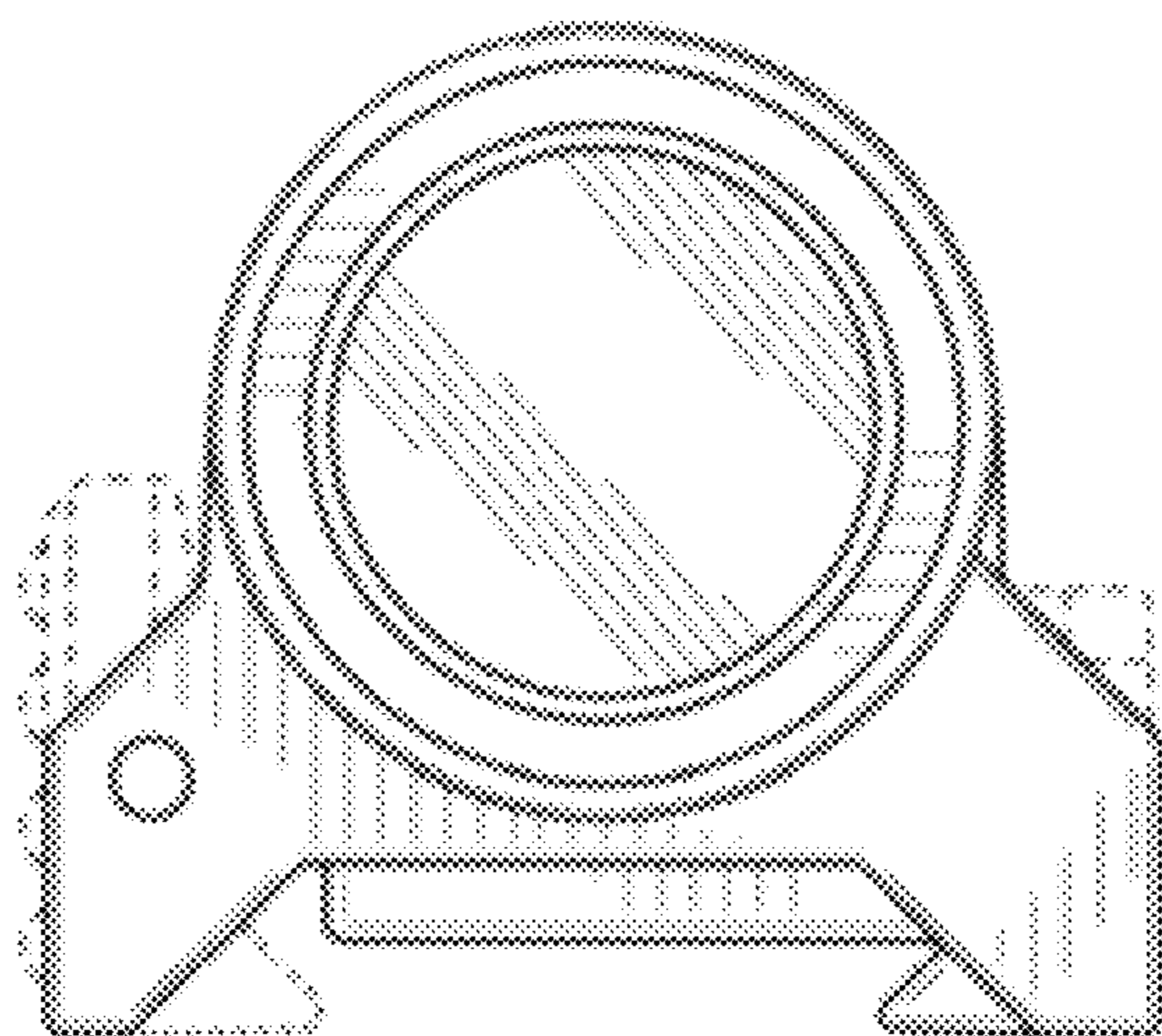


FIG. 3

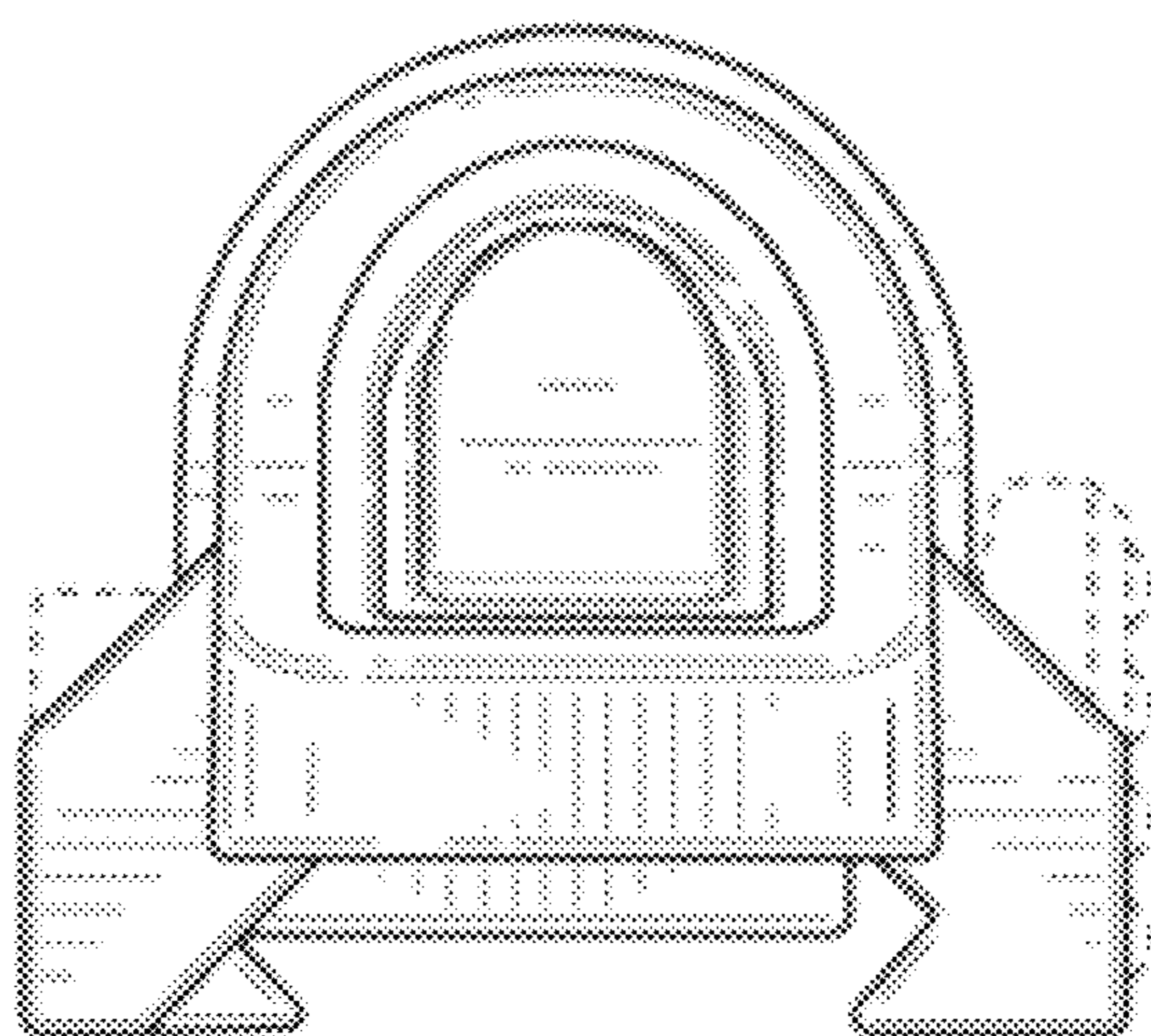


FIG. 4

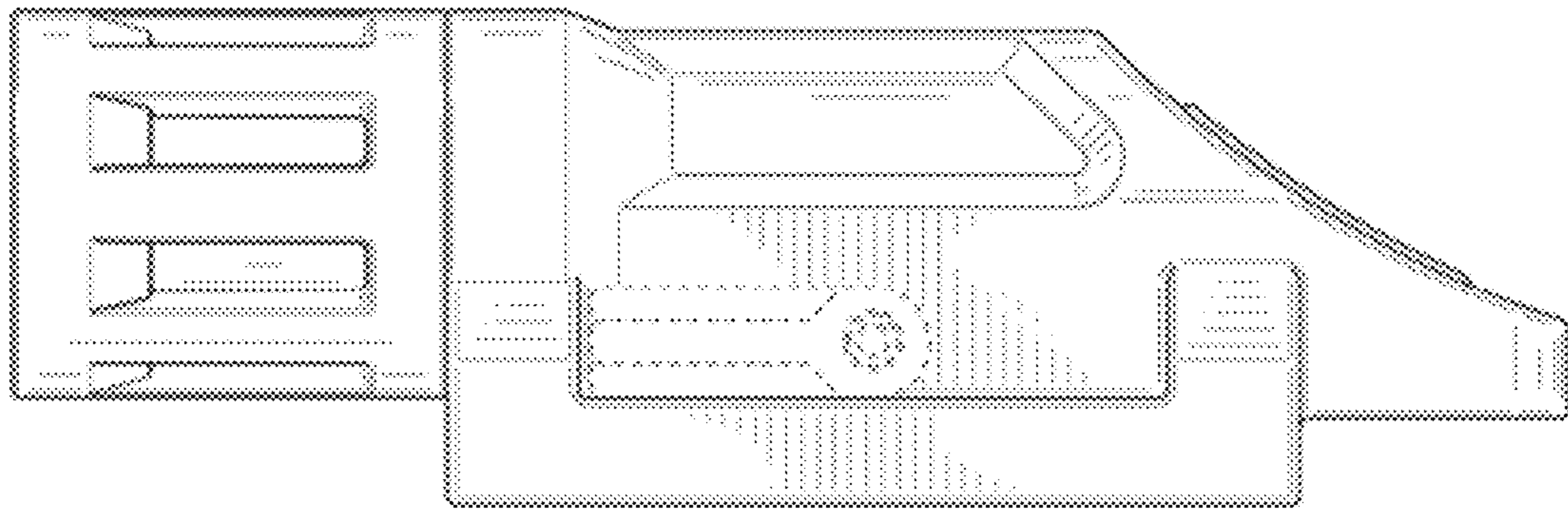


FIG. 5

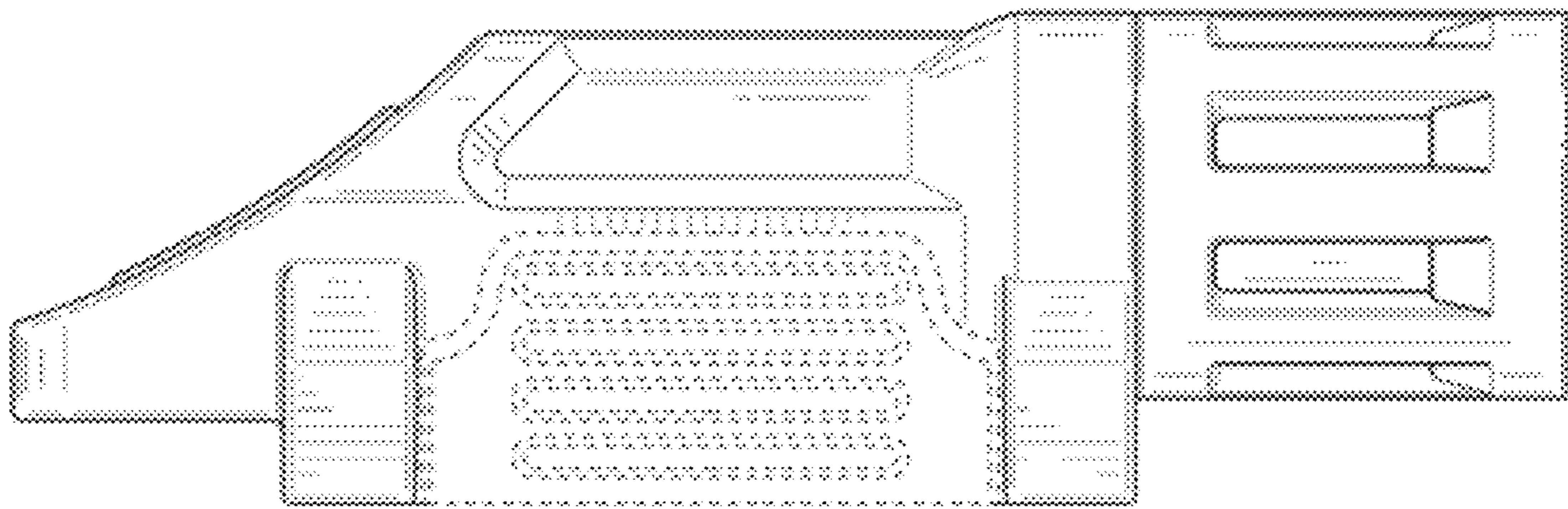


FIG. 6

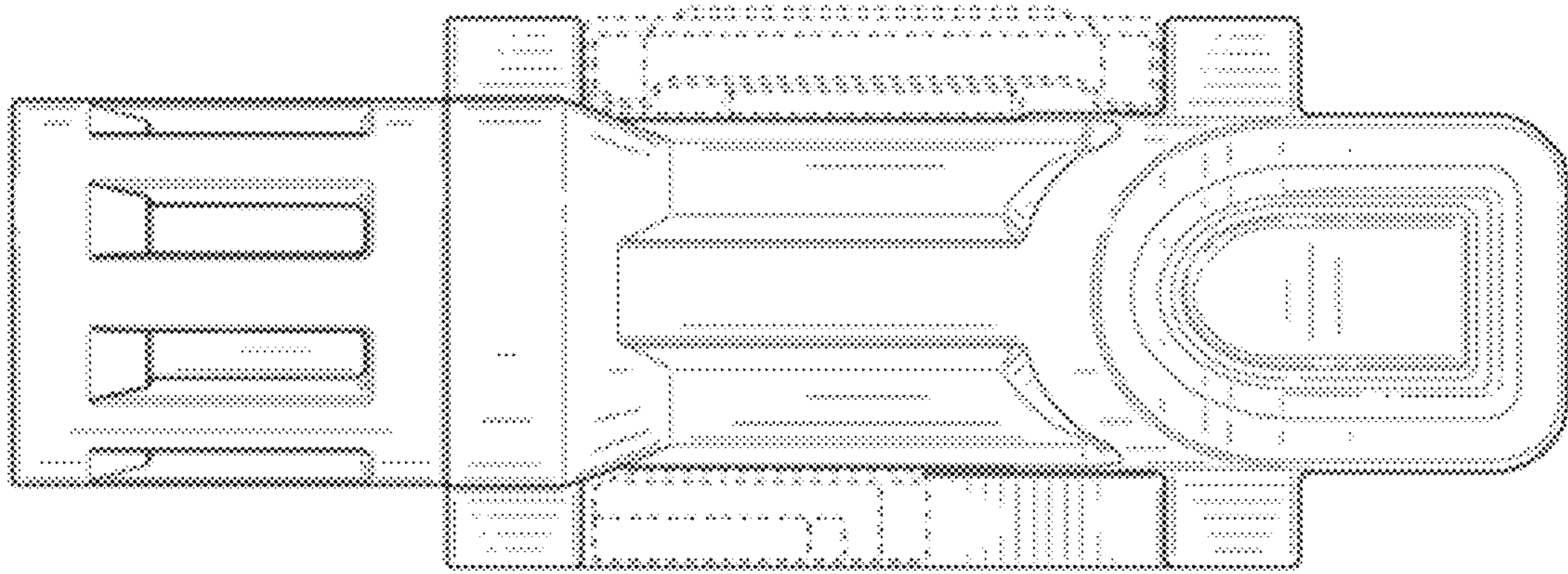


FIG. 7

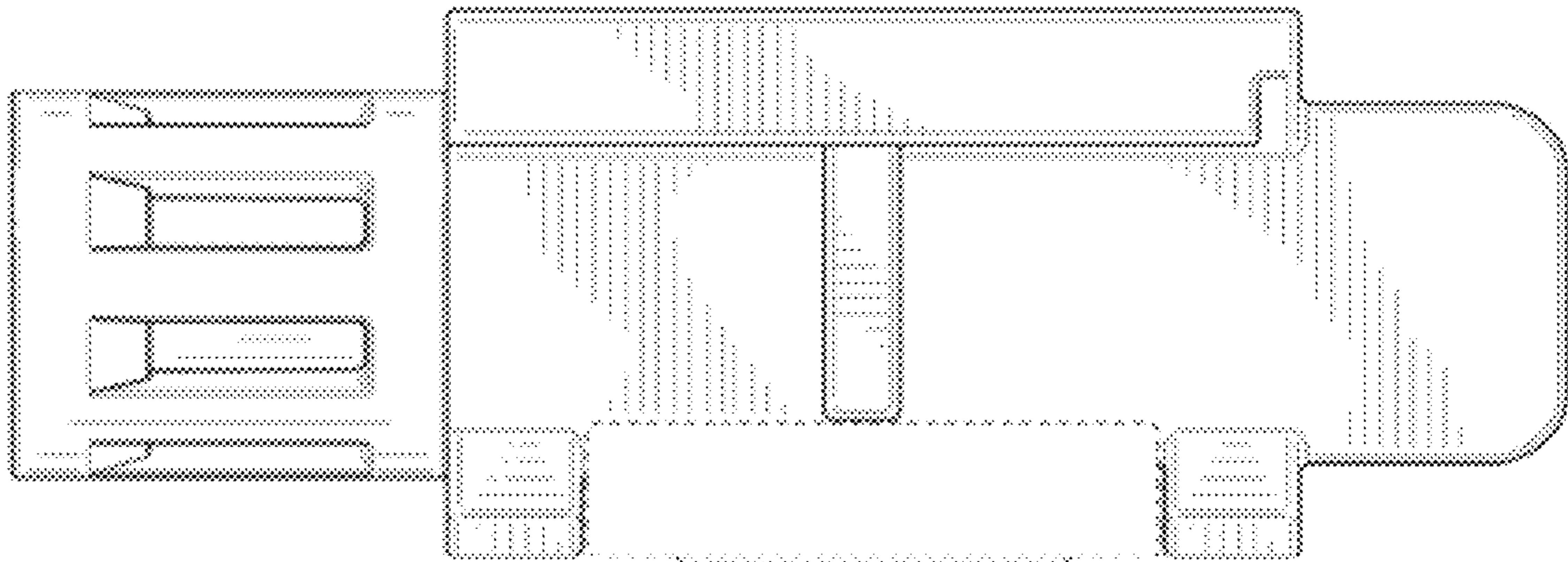


FIG. 8

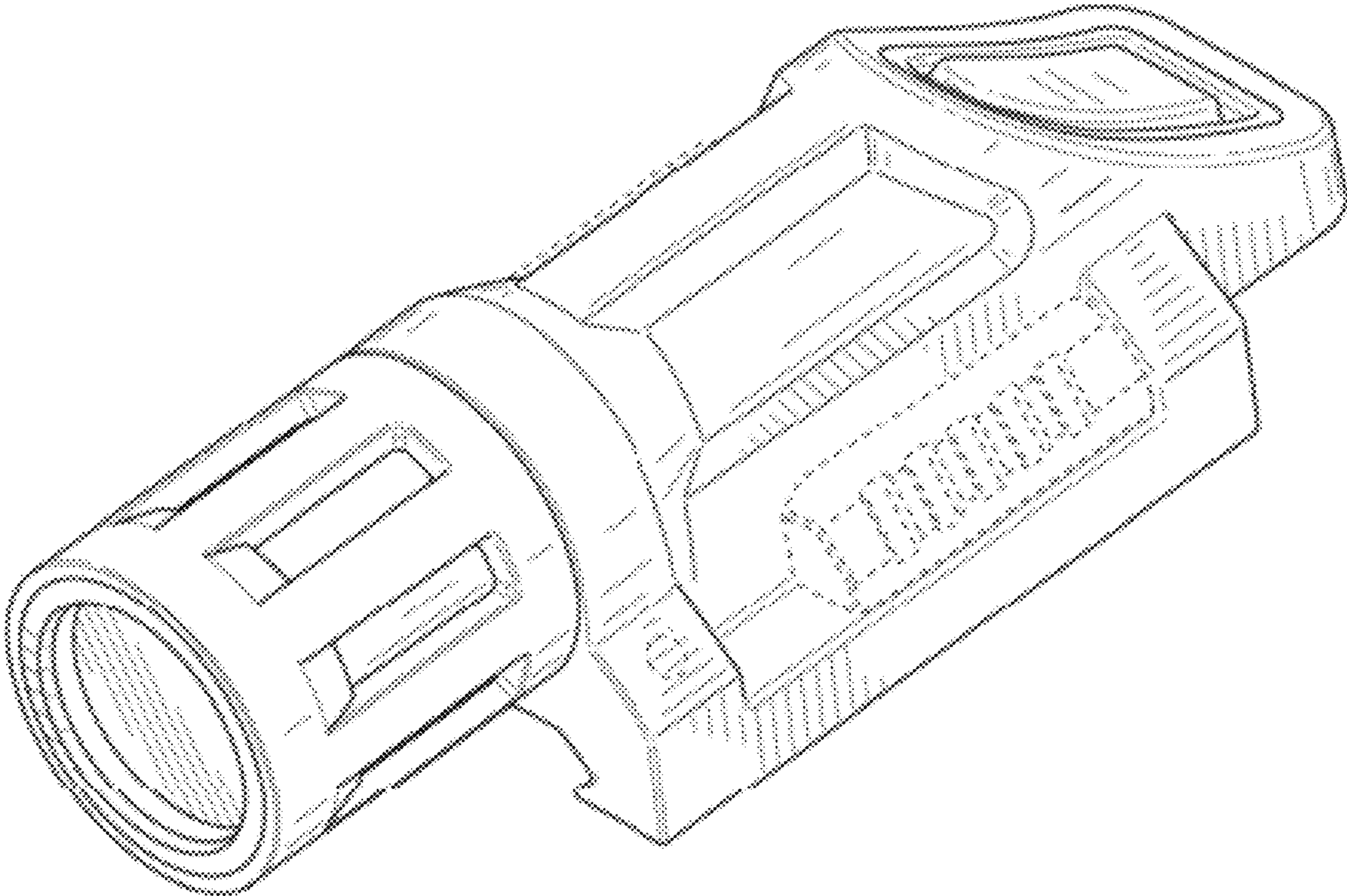


FIG. 9

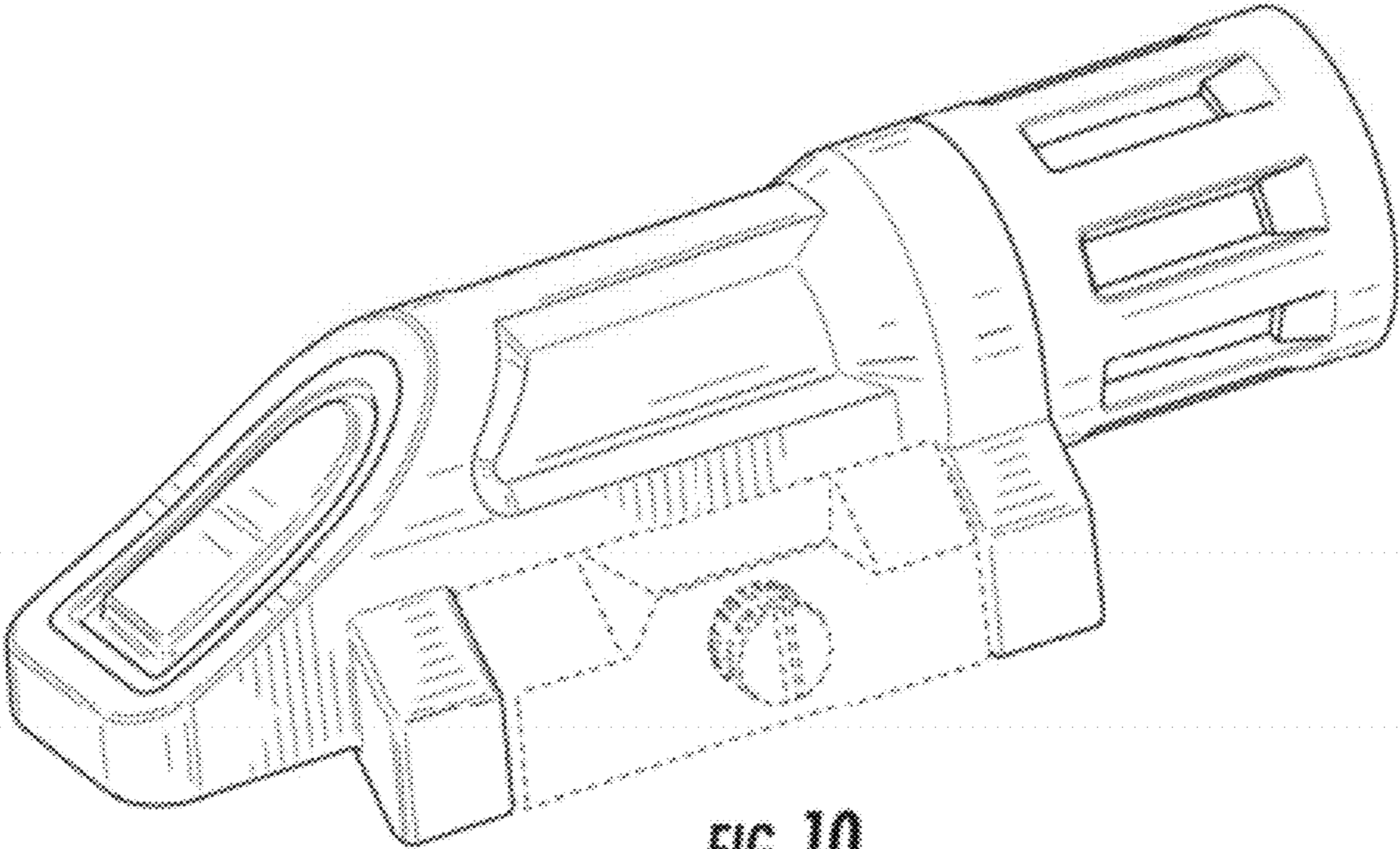


FIG. 10

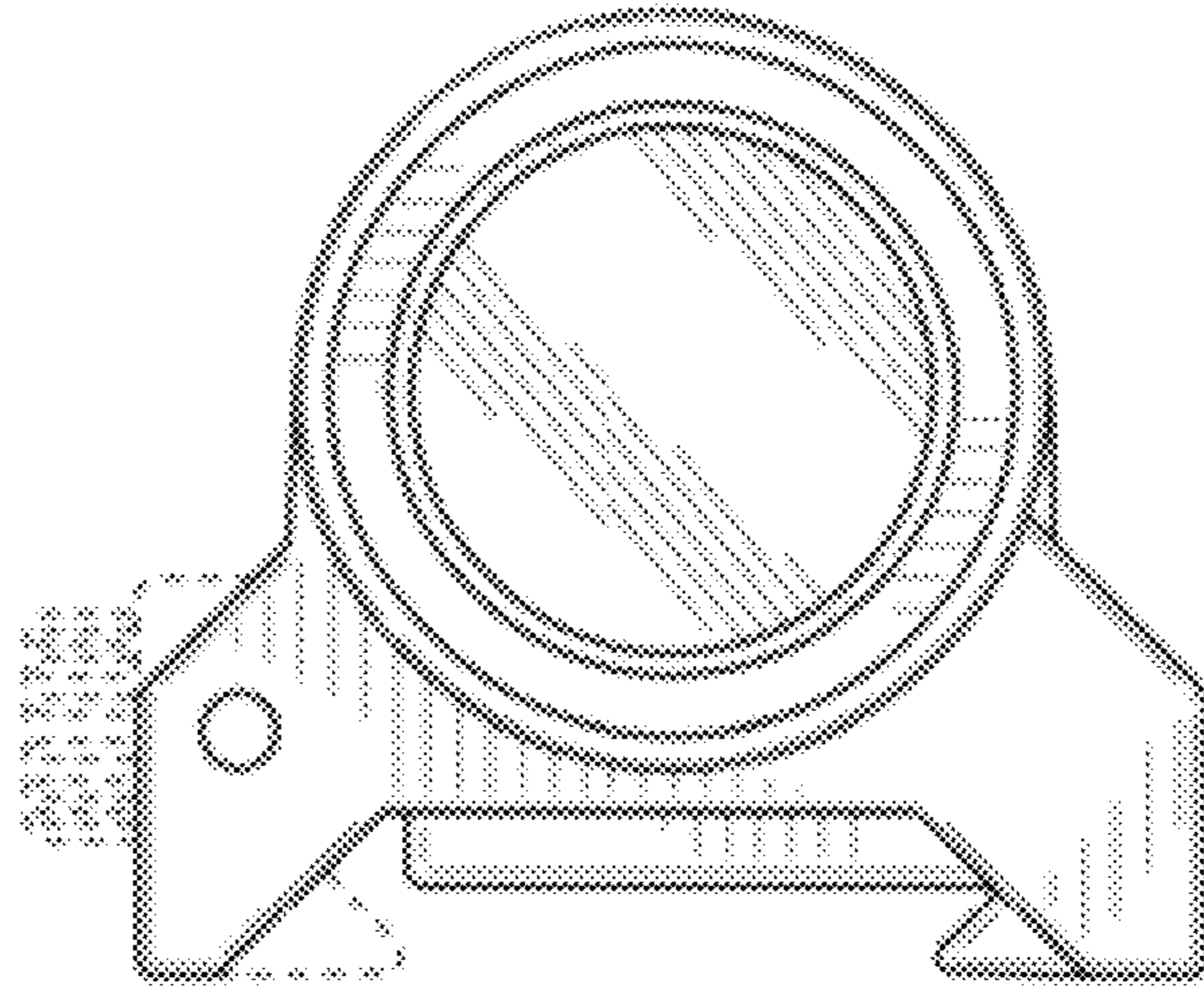


FIG. 11

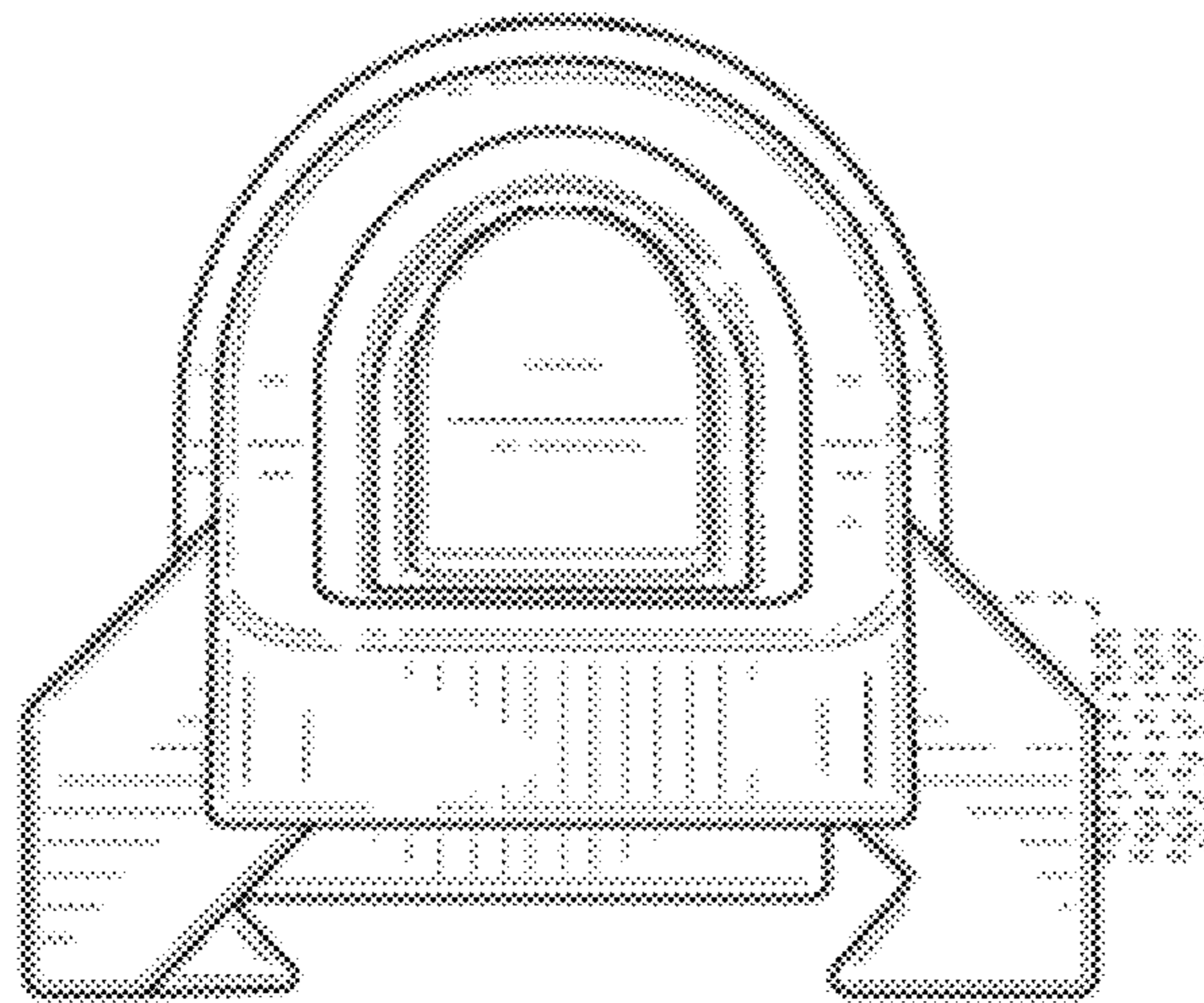


FIG. 12

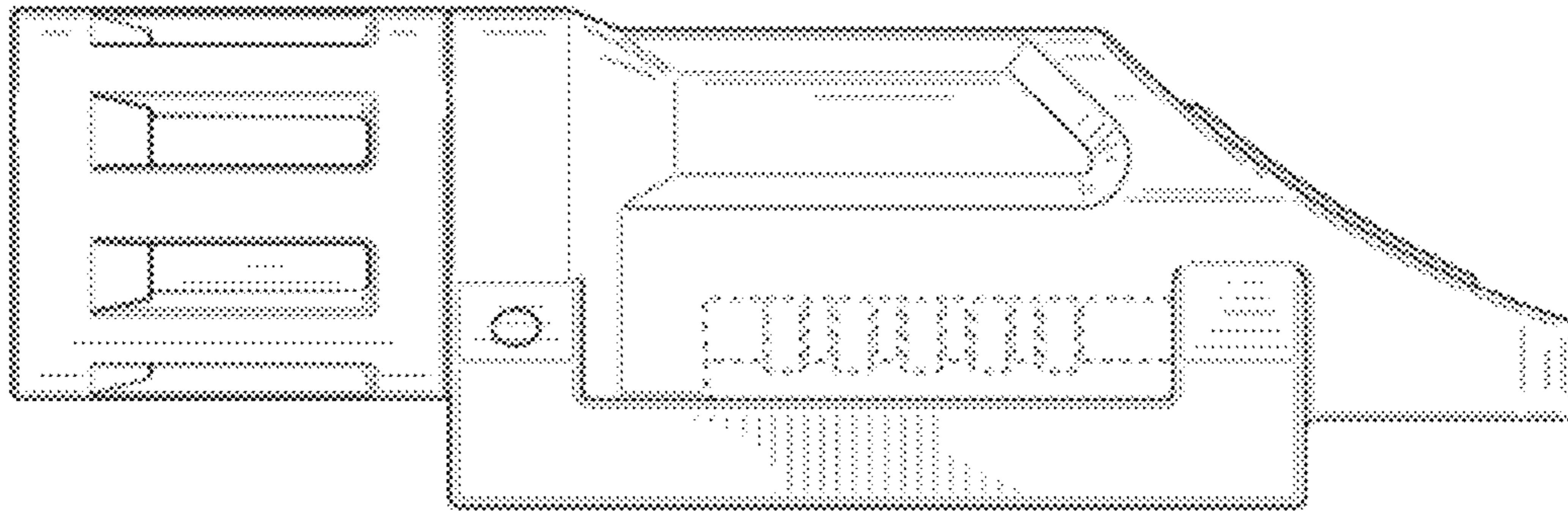


FIG. 13

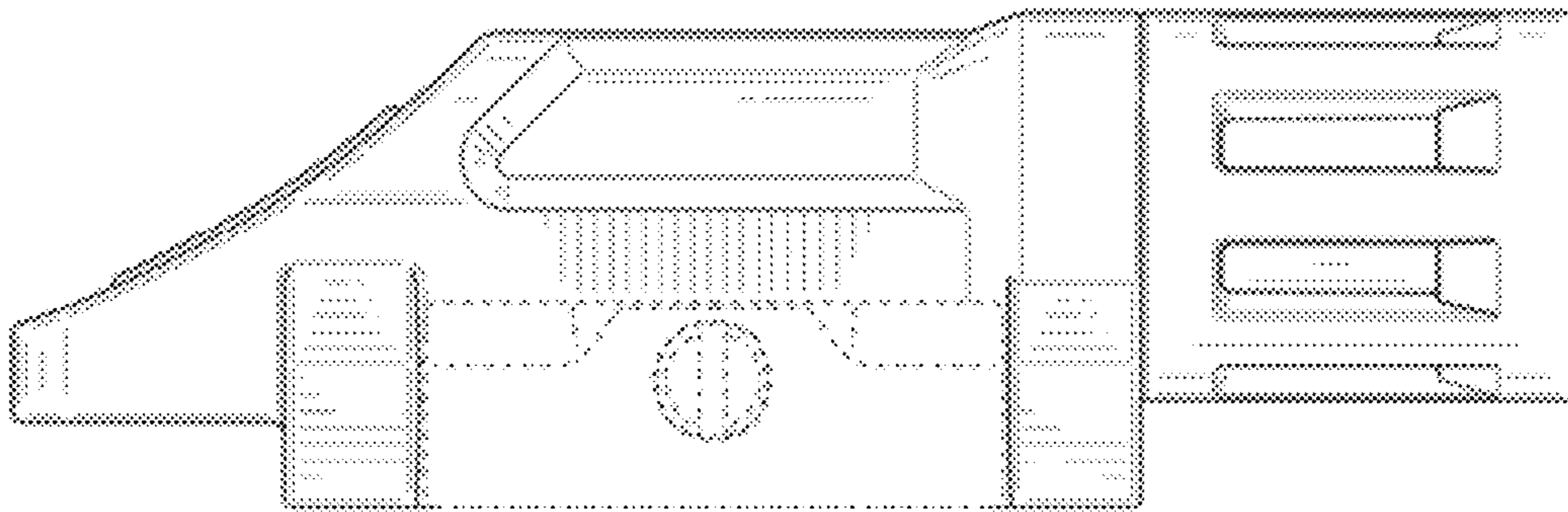


FIG. 14

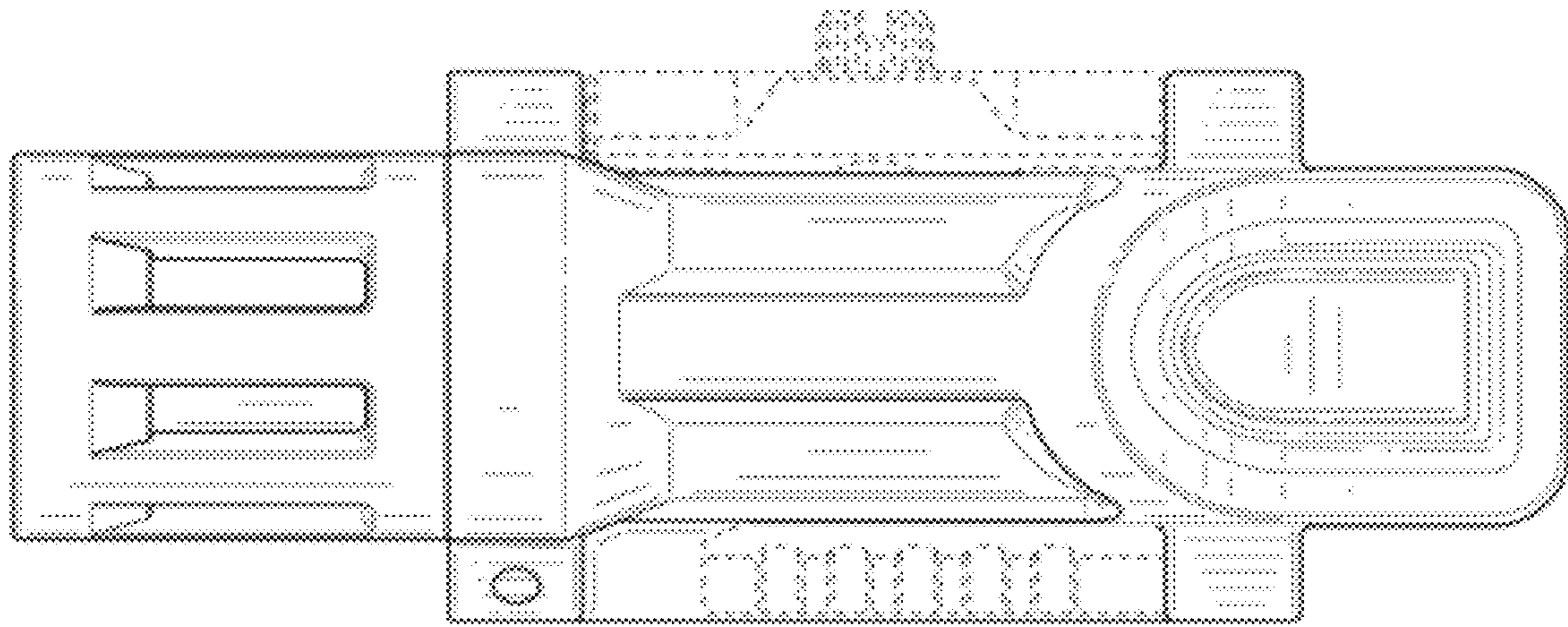


FIG. 15

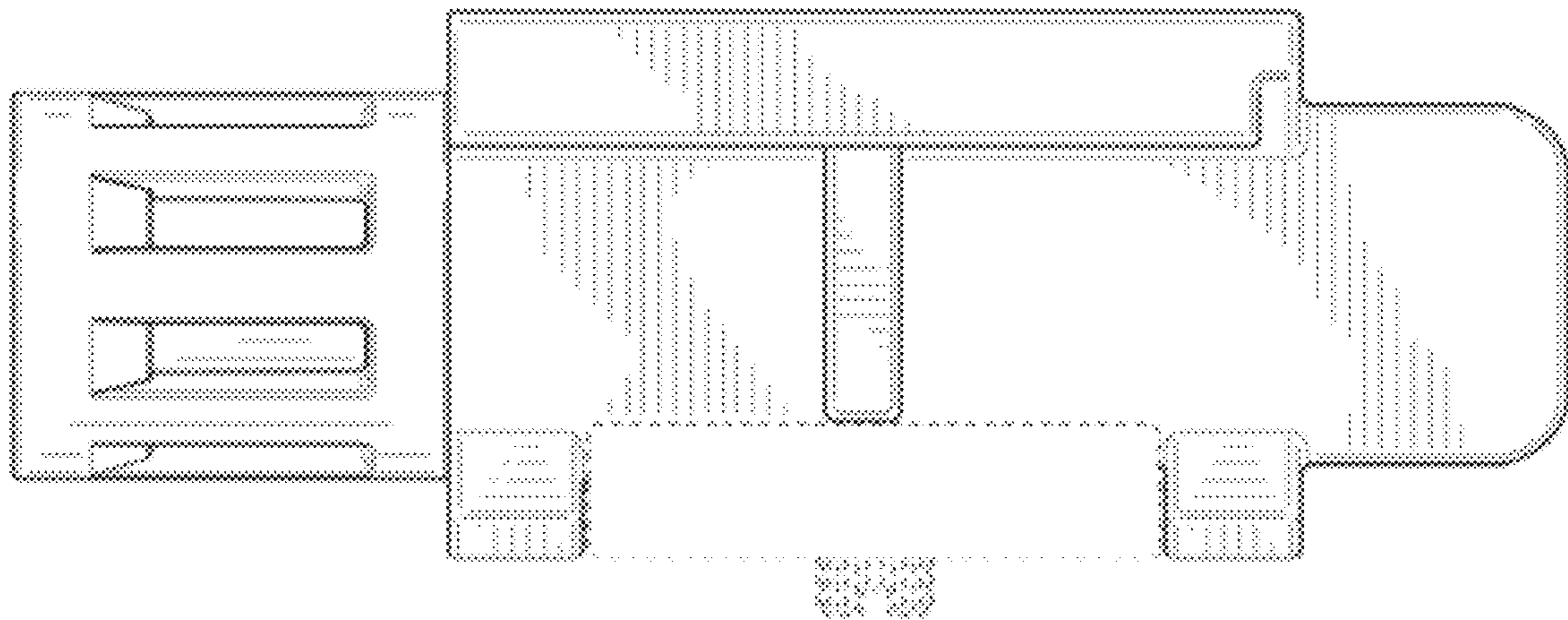


FIG. 16