



US00D674857S

(12) **United States Design Patent**
Donnelly

(10) **Patent No.:** **US D674,857 S**

(45) **Date of Patent:** **** Jan. 22, 2013**

(54) **FIREARM**

(75) Inventor: **Douglas F. Donnelly**, Hartford, CT (US)

(73) Assignee: **United States Fire Arms Manufacturing Co., Inc.**, Hartford, CT (US)

(**) Term: **14 Years**

(21) Appl. No.: **29/400,417**

(22) Filed: **Aug. 26, 2011**

(51) **LOC (9) Cl.** **22-01**

(52) **U.S. Cl.** **D22/103**

(58) **Field of Classification Search** D22/100–105;
D21/572–575; 124/67, 66, 72, 74; 89/40.06,
89/41.19, 37.04, 33.04, 191.01, 200–204
See application file for complete search history.

(56) **References Cited**

U.S. PATENT DOCUMENTS

1,637,079	A *	7/1927	Karner, Jr.	42/69.01
D156,065	S *	11/1949	Avery	D26/45
D204,285	S *	4/1966	Gilbert	D21/574
4,489,515	A *	12/1984	Numbers	42/70.01
D277,126	S *	1/1985	Numbers	D22/104
D286,660	S *	11/1986	Barthropp	D21/574
D304,604	S *	11/1989	Fan	D21/574
D309,759	S *	8/1990	Mak	D21/401
D369,639	S	5/1996	Predazzer	
5,628,137	A	5/1997	Cortese	
D430,916	S	9/2000	Bubits	
D458,652	S *	6/2002	Chan	D21/574
D460,792	S *	7/2002	Lee	D21/573
6,655,065	B1 *	12/2003	Chapman	42/44
7,225,574	B2	6/2007	Crandall et al.	
7,337,574	B2	3/2008	Crandall et al.	
7,634,959	B2	12/2009	Frickey	
7,661,220	B2	2/2010	Crandall et al.	
D636,044	S	4/2011	Larson et al.	
D636,454	S	4/2011	Larson et al.	
D637,678	S	5/2011	Larson et al.	

OTHER PUBLICATIONS

Hasbro—Nerf-N-Strike Attack Unit, product ordering page showing product photos and enlarged page of product photos, 2 pgs. [http://www.hasbro.com/nerf/en_US/shop/details.cfm?guid=FE29E4BF-19B9-F369-D94F-BF0A73887904&prod . . .](http://www.hasbro.com/nerf/en_US/shop/details.cfm?guid=FE29E4BF-19B9-F369-D94F-BF0A73887904&prod...), printed on Aug. 5, 2011.

Google product search, FN Herstal Model FS2000 Semi Automatic Carbine Rifle 3830000000, 223 R, 2pgs., [http://www.google.com/products/catalog?hl=en&xhr=t&q=fn+model+fs2000&cp=15&bav=on.2,or.r_gc.r_pw.& . . .](http://www.google.com/products/catalog?hl=en&xhr=t&q=fn+model+fs2000&cp=15&bav=on.2,or.r_gc.r_pw.&...), printed on Aug. 3, 2011.

Wikipedia, the free encyclopedia, “FN F2000,” 5 pgs., http://en.wikipedia.org/wiki/FN_F2000, printed on Aug. 3, 2011.

* cited by examiner

Primary Examiner — Michael A Pratt

(74) *Attorney, Agent, or Firm* — Christie, Parker & Hale, LLP

(57) **CLAIM**

The ornamental design for firearm, as shown and described.

DESCRIPTION

FIG. 1 is a top, front, left perspective view of a firearm showing the new design.

FIG. 2 is a top, front, right perspective view thereof.

FIG. 3 is a left view thereof.

FIG. 4 is a front view thereof.

FIG. 5 is a right view thereof.

FIG. 6 is a back view thereof.

FIG. 7 is a top view thereof.

FIG. 8 is a bottom view thereof.

FIG. 9 is a top, front, left perspective view of a firearm showing the new design in an alternate context.

FIG. 10 is a top, front, right perspective view thereof.

FIG. 11 is a top, front, left perspective view of a firearm showing the new design in another alternate context; and,

FIG. 12 is a top, front, right perspective view thereof.

The broken lines immediately adjacent to the solid line disclosure represent the unclaimed boundaries of the claimed design. The broken lines showing the remainder of the firearm are for illustrative purposes only and form no part of the claimed design.

1 Claim, 11 Drawing Sheets

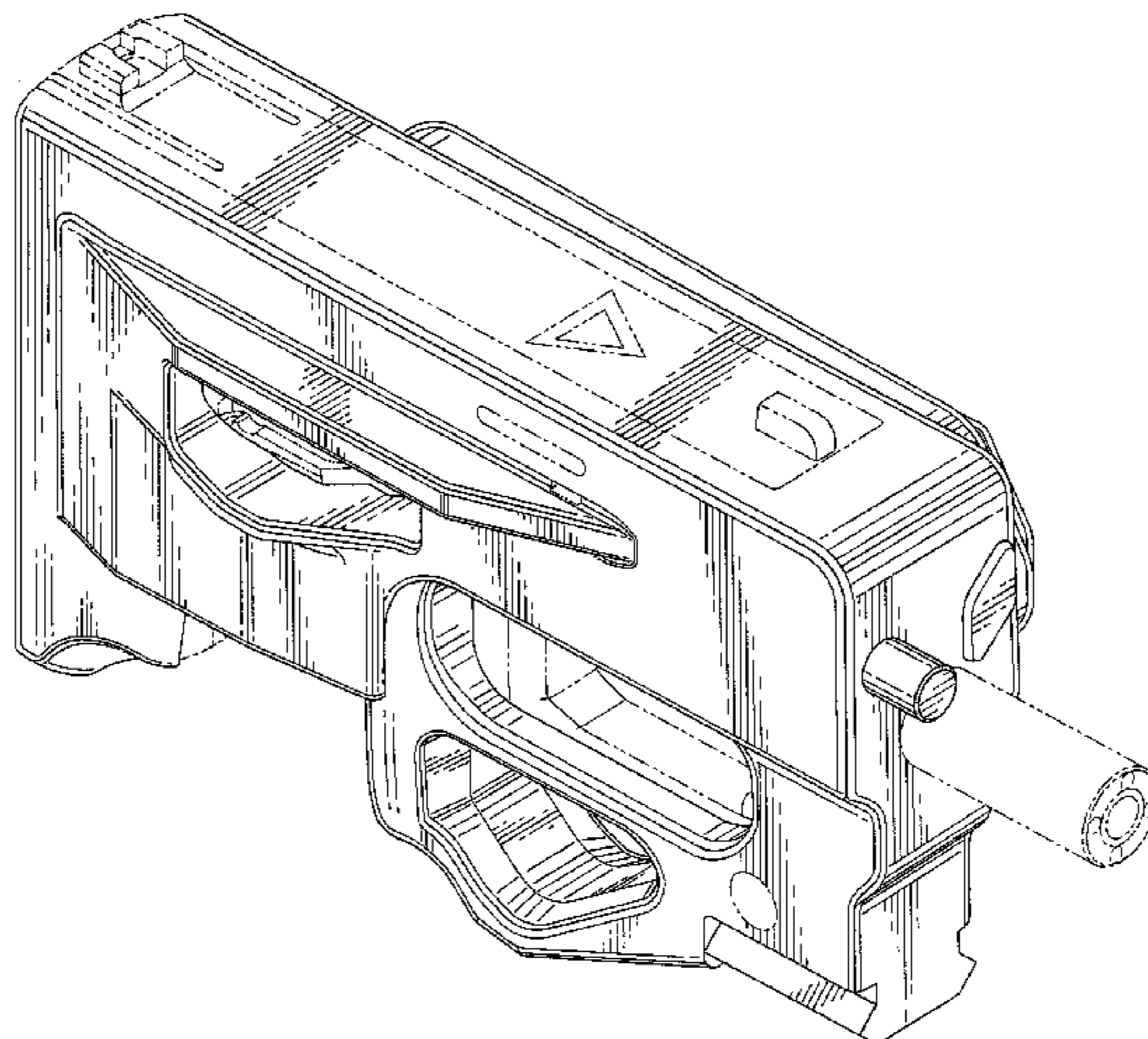
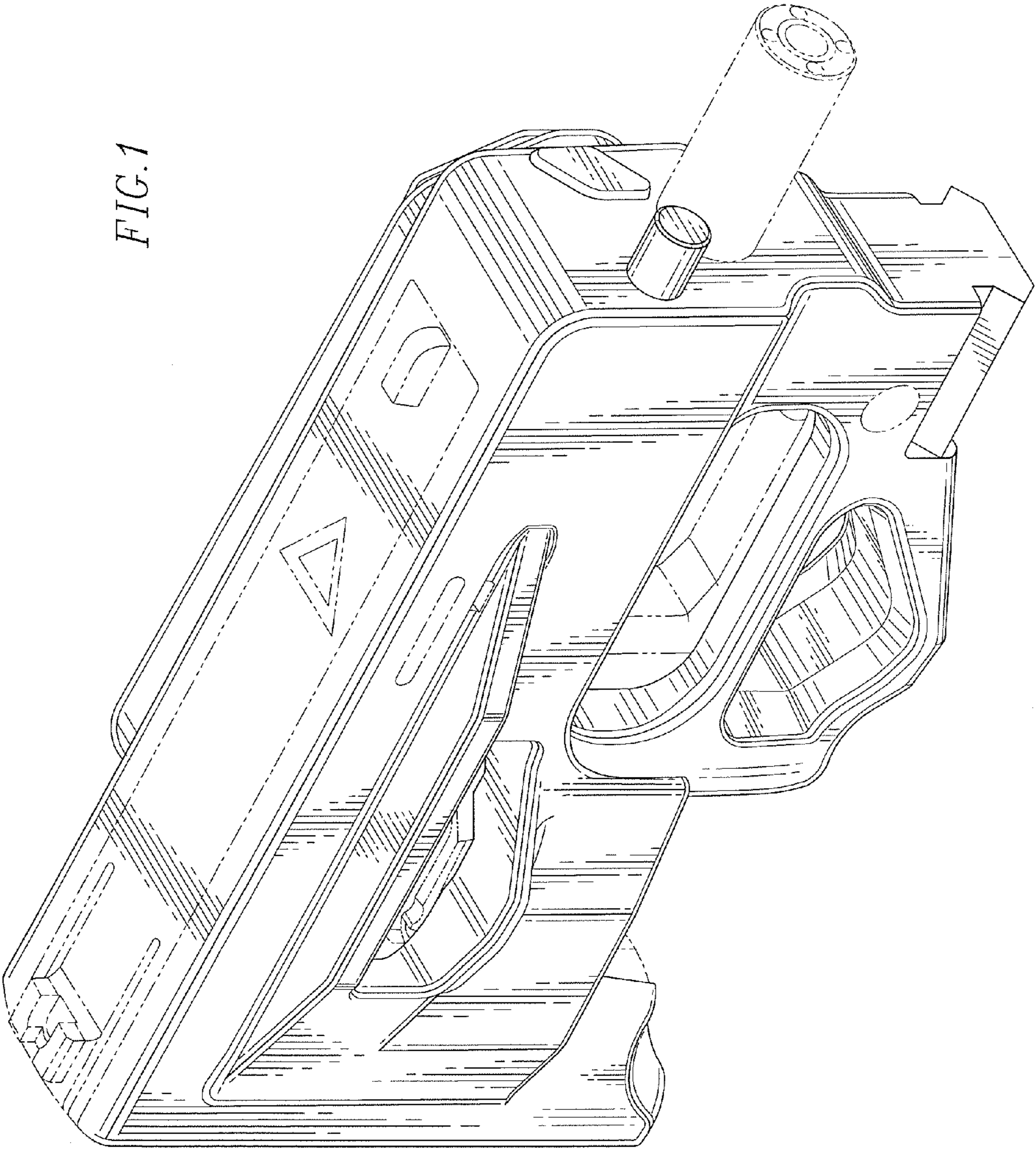


FIG. 1



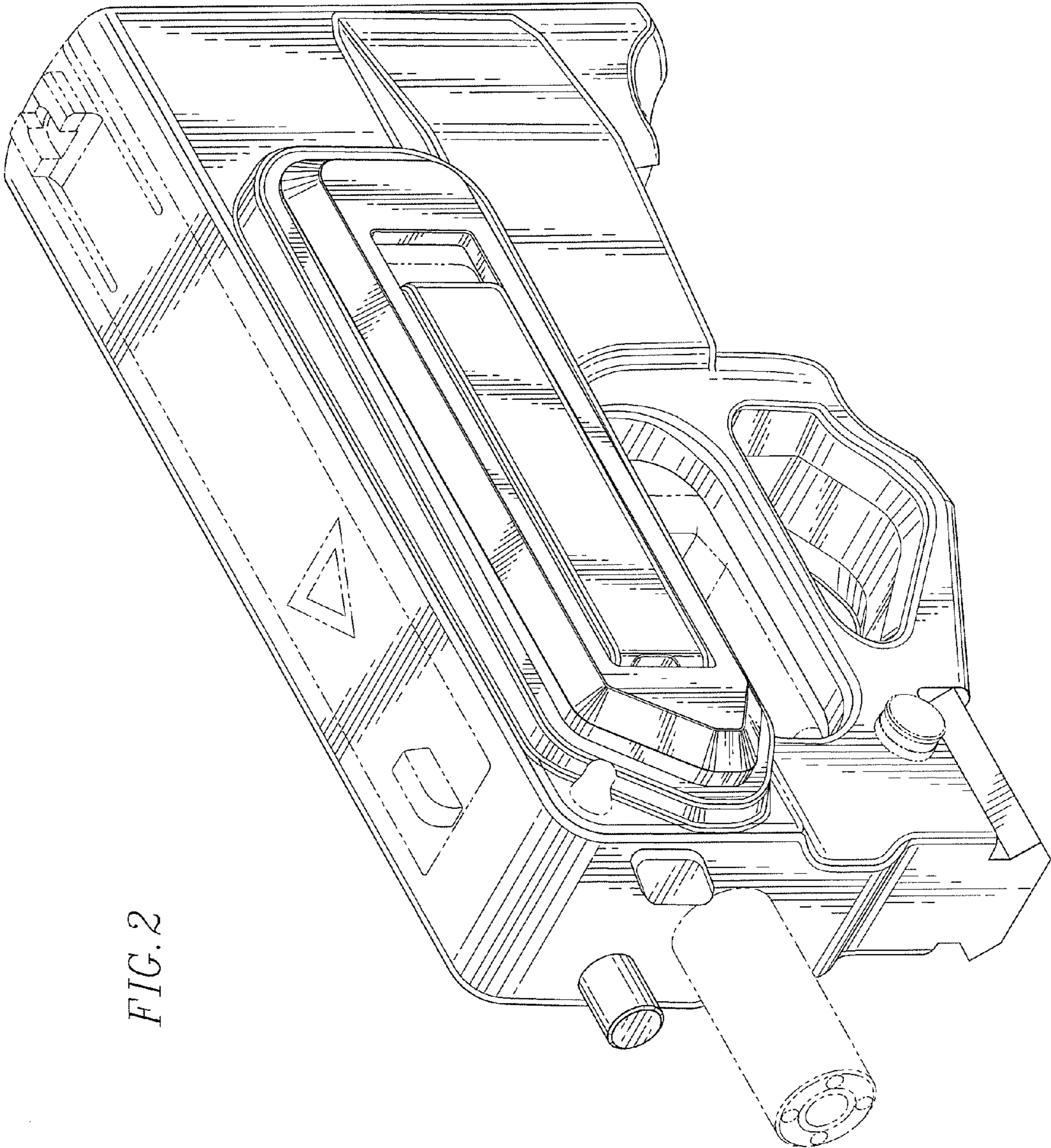


FIG. 2

FIG. 3

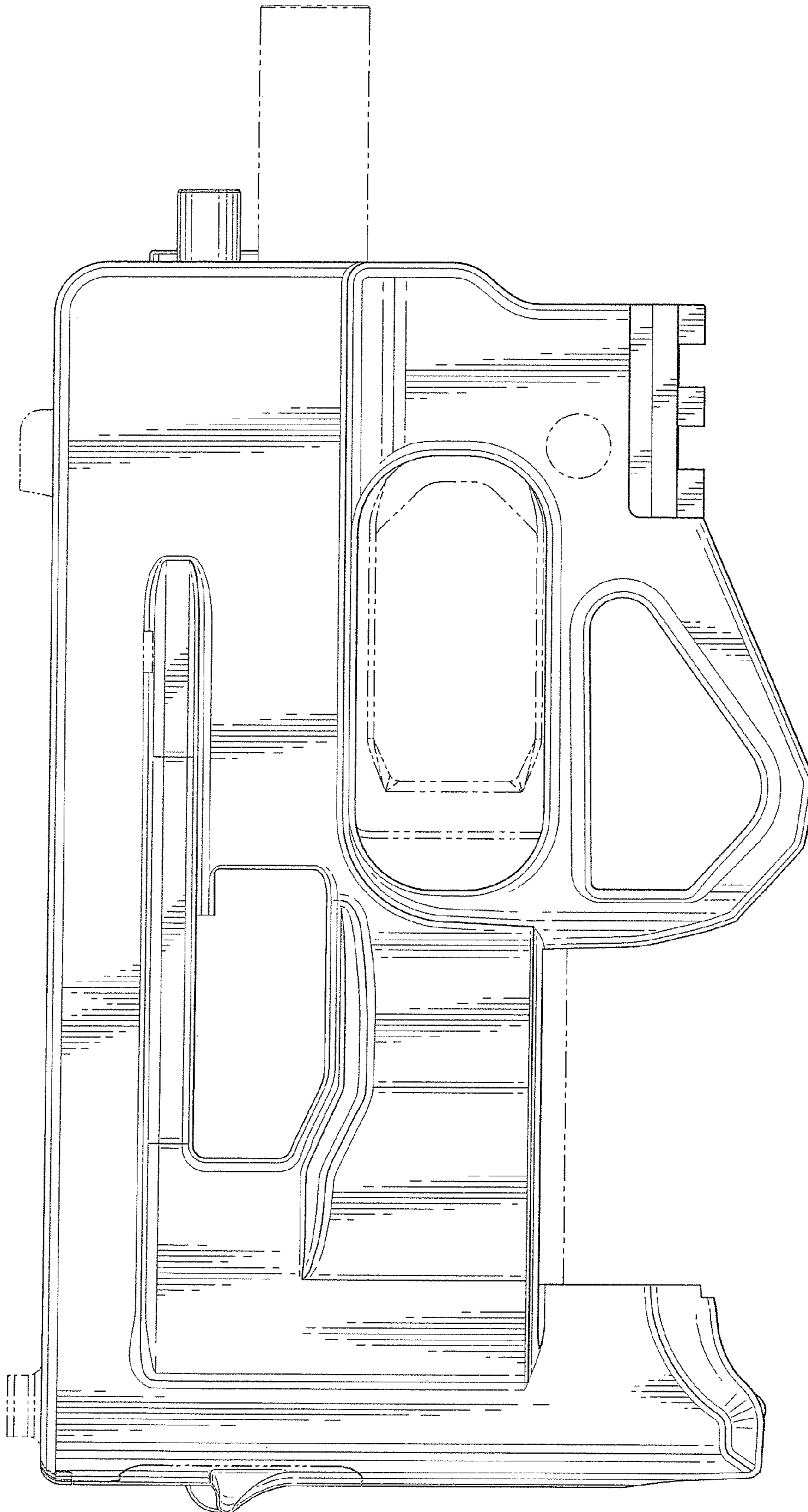


FIG. 6

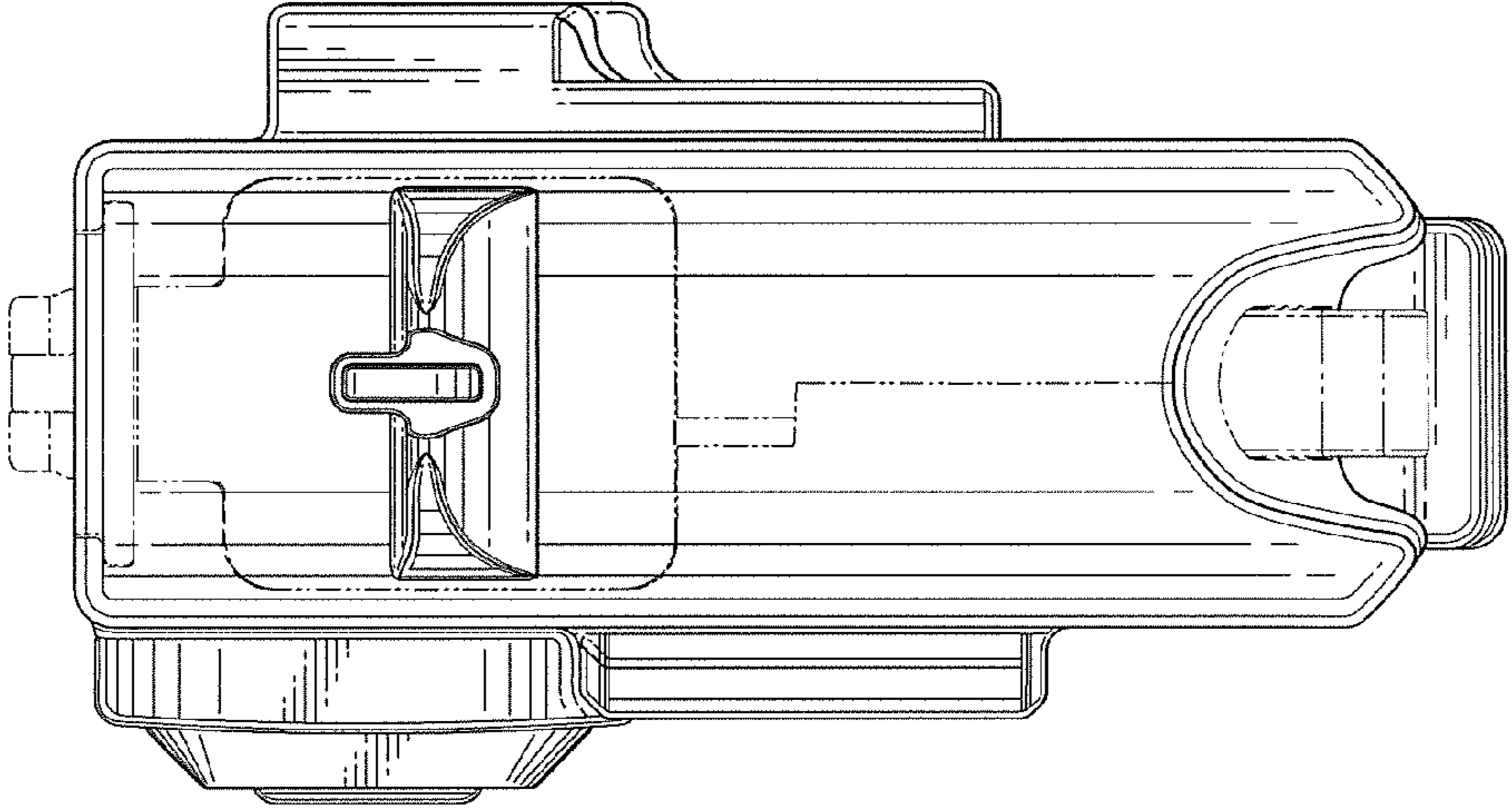


FIG. 4

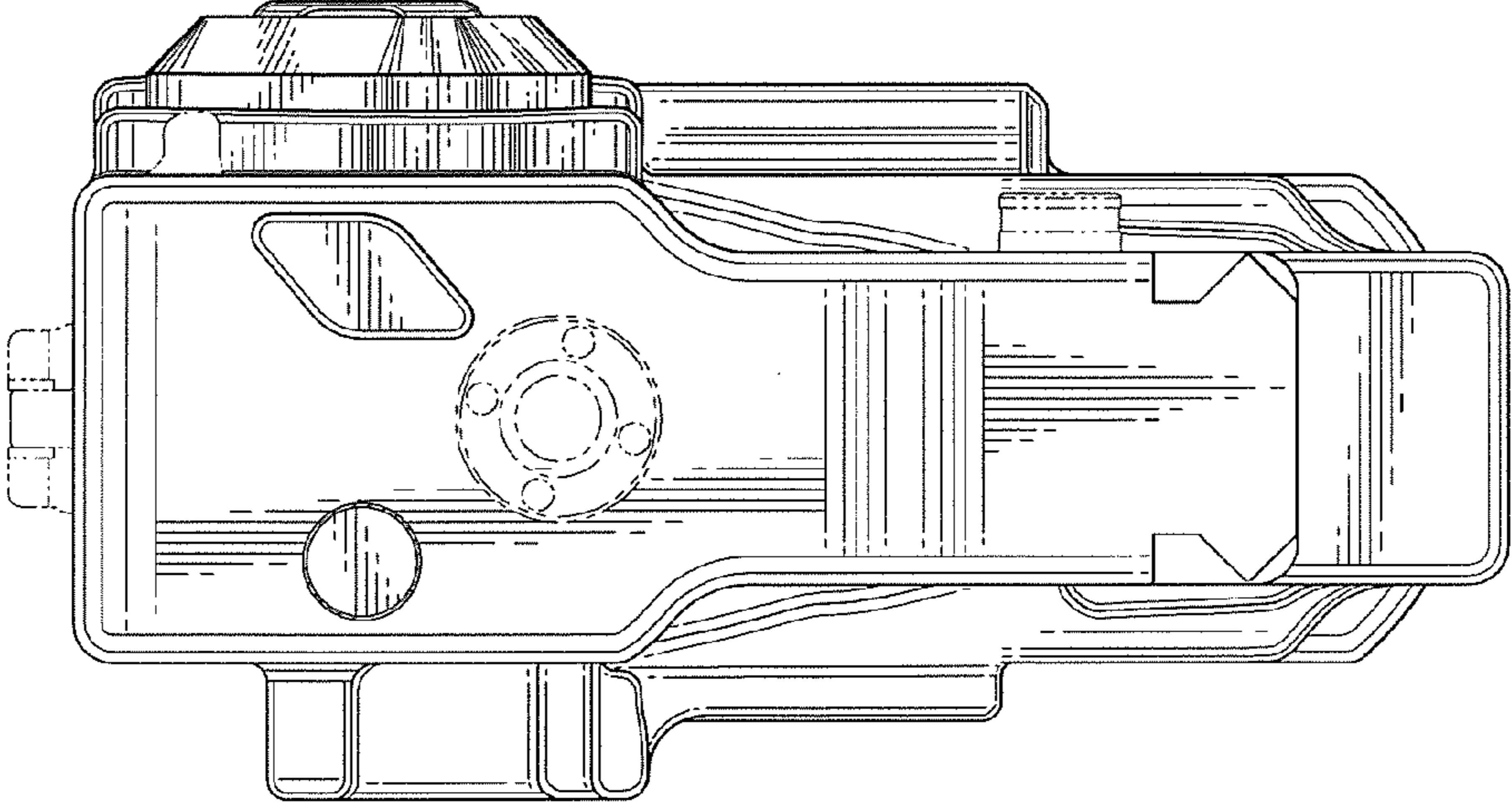


FIG. 5

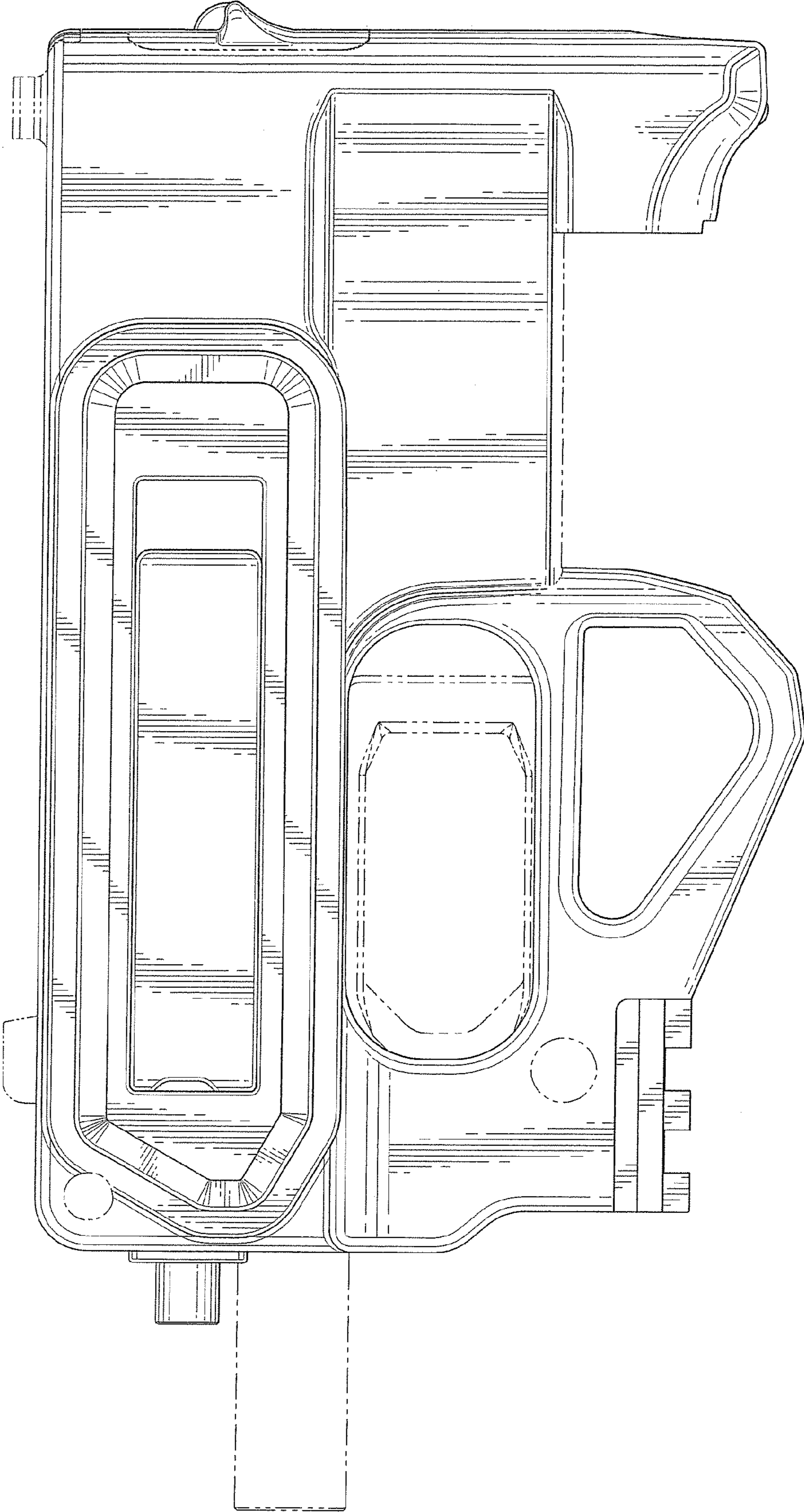


FIG. 7

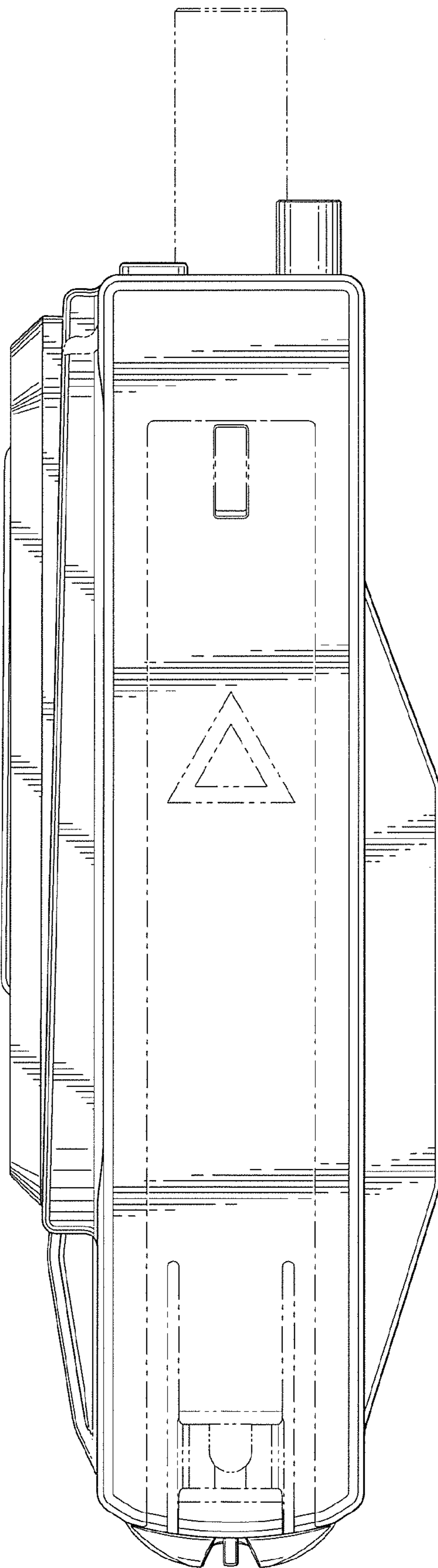


FIG. 8

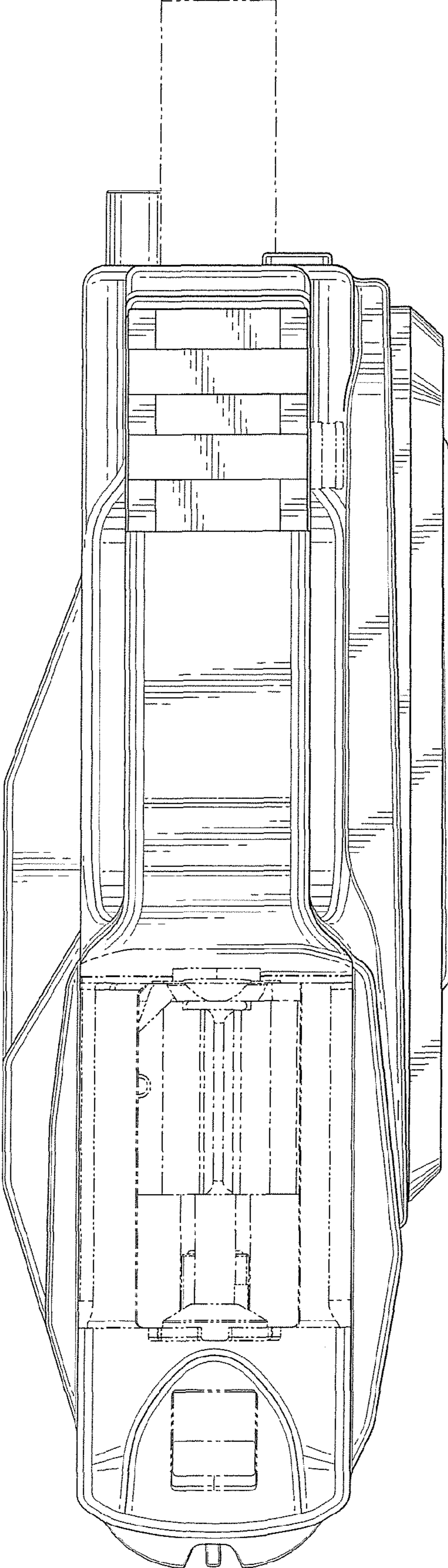
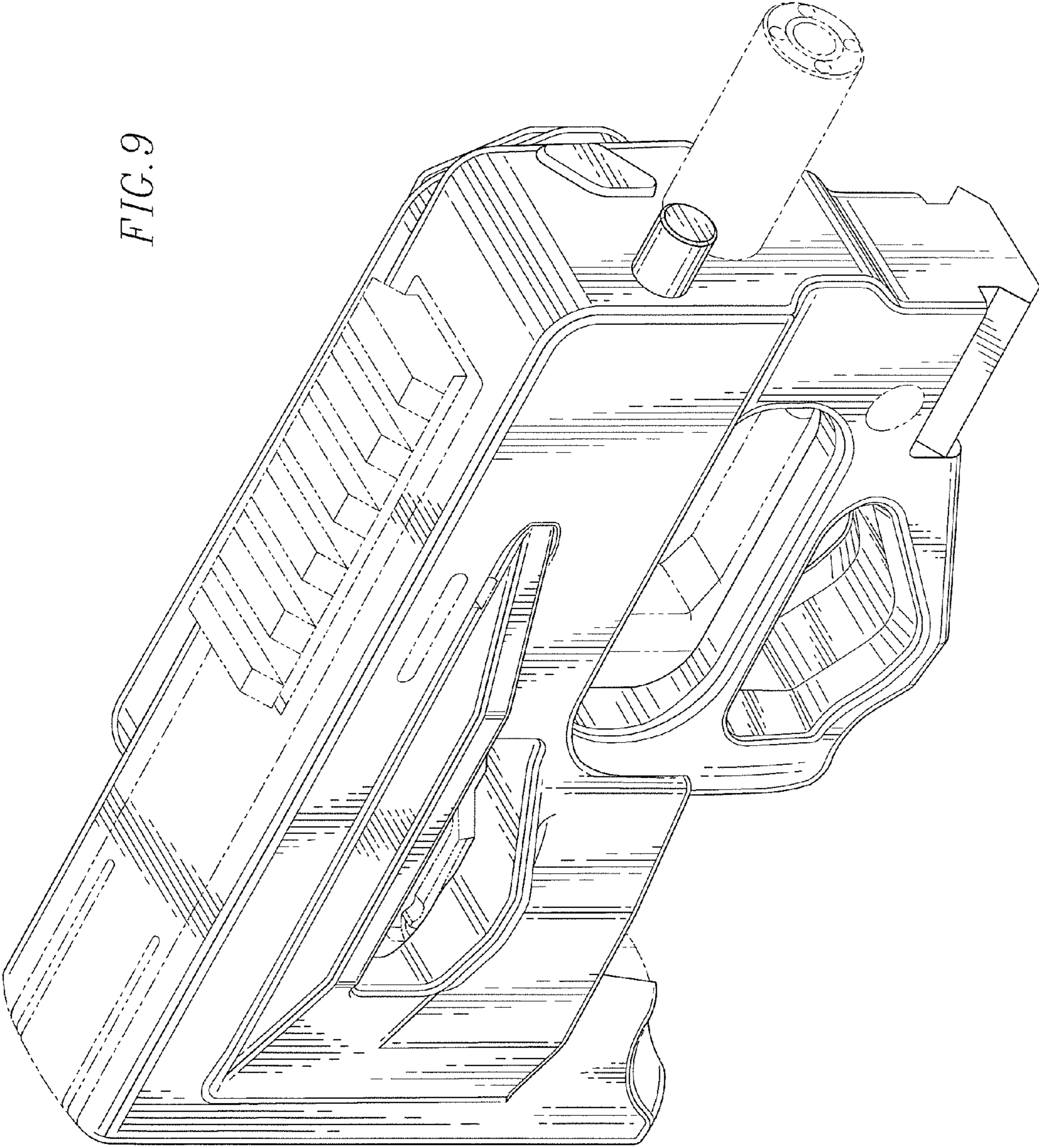


FIG. 9



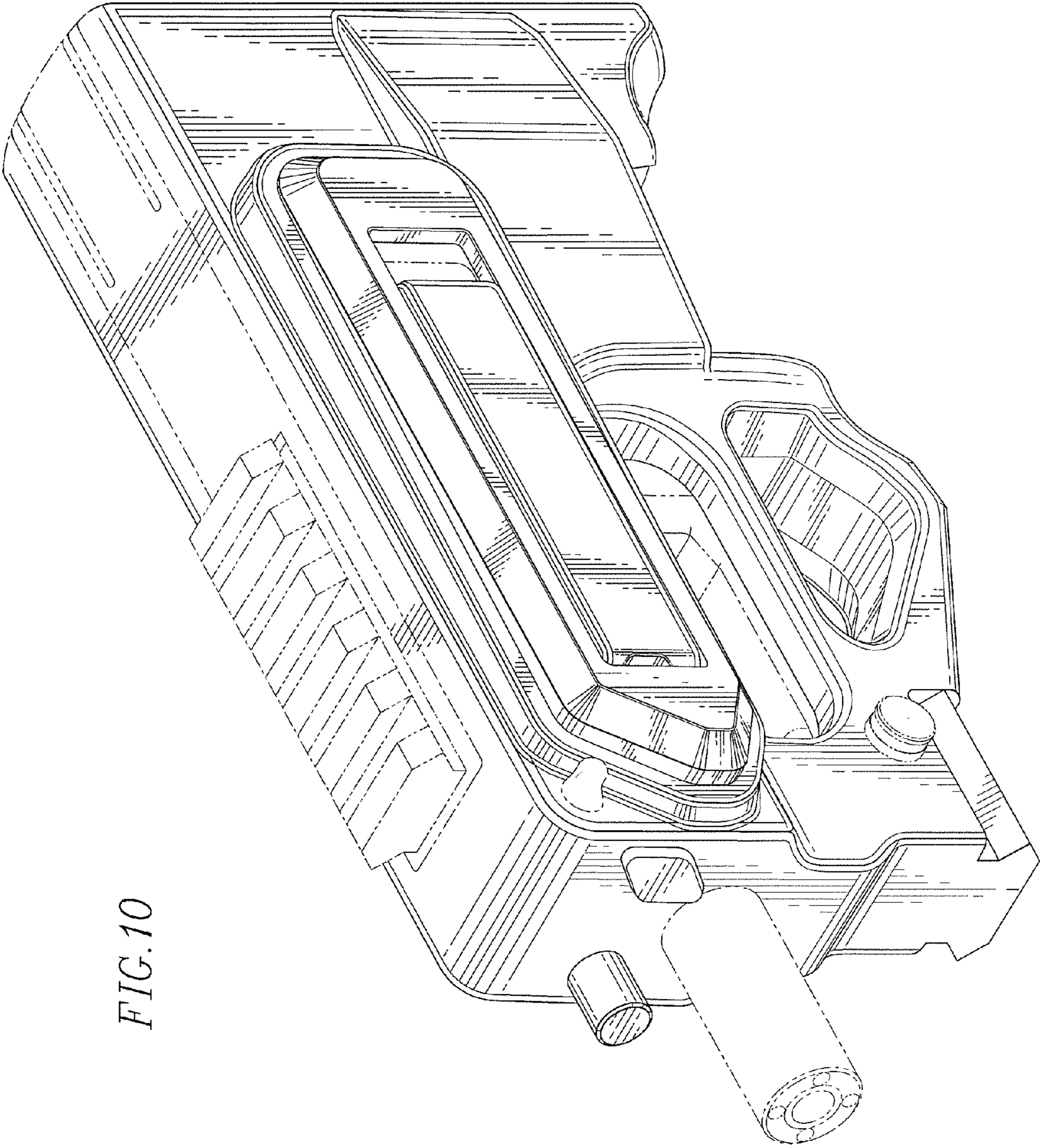
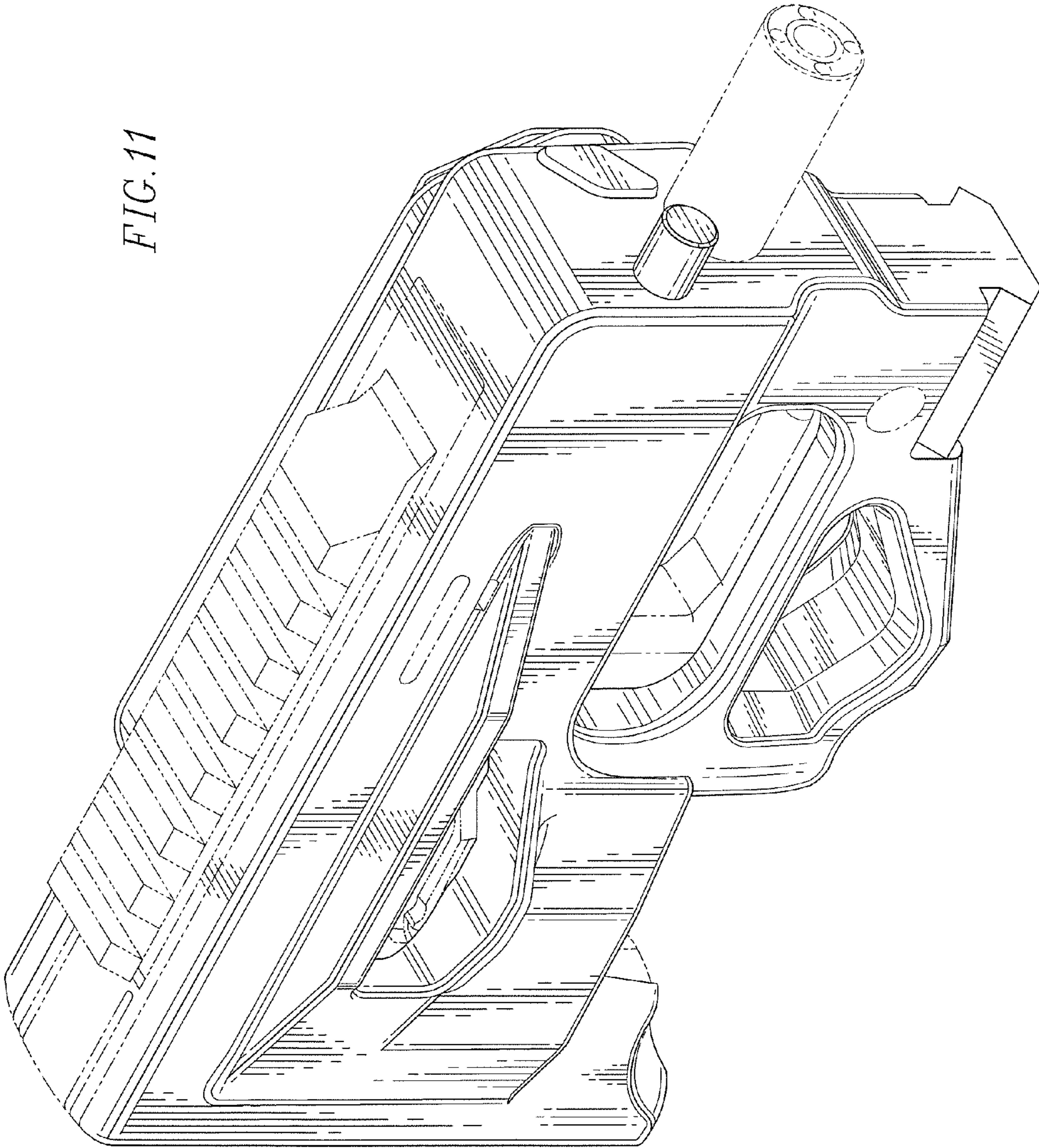


FIG.10

FIG. 11



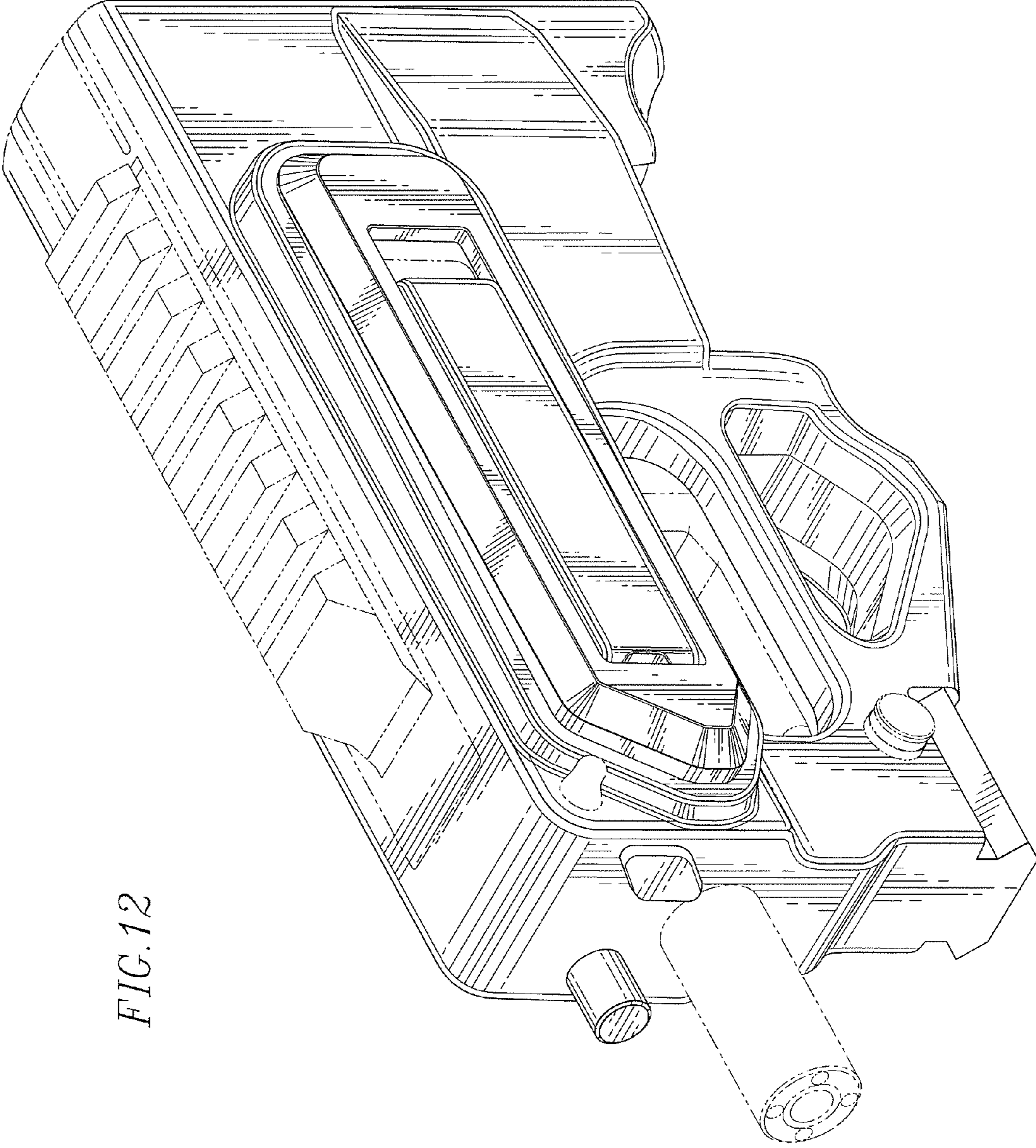


FIG. 12