



US00D674855S

(12) **United States Design Patent**
Donnelly

(10) **Patent No.:** **US D674,855 S**
(45) **Date of Patent:** **** Jan. 22, 2013**

(54) **FIREARM**

(76) Inventor: **Douglas F. Donnelly**, Hartford, CT (US)

(**) Term: **14 Years**

(21) Appl. No.: **29/400,411**

(22) Filed: **Aug. 26, 2011**

(51) **LOC (9) Cl.** **22-01**

(52) **U.S. Cl.** **D22/103**

(58) **Field of Classification Search** D22/100–105;
D21/572–575; 124/67, 66, 72, 74; 89/40.06,
89/41.19, 37.04, 33.04, 191.01, 200–204
See application file for complete search history.

(56) **References Cited**

U.S. PATENT DOCUMENTS

| | | | | |
|--------------|------|---------|------------------------|-----------|
| 1,637,079 | A * | 7/1927 | Karner, Jr. | 42/69.01 |
| D156,065 | S * | 11/1949 | Avery | D26/45 |
| D204,285 | S * | 4/1966 | Gilbert | D21/574 |
| 4,489,515 | A * | 12/1984 | Numbers | 42/70.01 |
| D277,126 | S * | 1/1985 | Numbers | D22/104 |
| D286,660 | S * | 11/1986 | Barthropp | D21/574 |
| D304,604 | S * | 11/1989 | Fan | D21/574 |
| D309,759 | S * | 8/1990 | Mak | D21/401 |
| D369,639 | S | 5/1996 | Predazzer | |
| 5,628,137 | A | 5/1997 | Cortese | |
| 6,102,796 | A * | 8/2000 | Pajitnov et al. | 463/9 |
| D430,916 | S | 9/2000 | Bubits | |
| 6,246,067 | B1 * | 6/2001 | Tullis | 250/559.3 |
| D458,652 | S * | 6/2002 | Chan | D21/574 |
| D460,792 | S * | 7/2002 | Lee | D21/573 |
| 6,655,065 | B1 * | 12/2003 | Chapman | 42/44 |
| 6,985,183 | B2 * | 1/2006 | Jan et al. | 348/335 |
| 7,225,574 | B2 | 6/2007 | Crandall et al. | |
| 7,337,574 | B2 | 3/2008 | Crandall et al. | |
| 7,602,193 | B1 * | 10/2009 | Baird et al. | 324/633 |
| 7,634,959 | B2 | 12/2009 | Frickey | |
| 7,661,220 | B2 | 2/2010 | Crandall et al. | |
| D636,044 | S | 4/2011 | Larson et al. | |
| D636,454 | S | 4/2011 | Larson et al. | |
| D637,678 | S | 5/2011 | Larson et al. | |
| 2004/0144301 | A1 * | 7/2004 | Neudeck et al. | 117/86 |
| 2011/0055739 | A1 * | 3/2011 | MacFarlane et al. | 715/764 |

OTHER PUBLICATIONS

Hasbro—Nerf-N-Strike Attack Unit, product ordering page showing product photos and enlarged page of product photos, 2 pgs. http://www.hasbro.com/nerf/en_US/shop/details.cfm?guid=FE29E4BF-19B9-F369-D94F-BF0A73887904&prod..., printed on Aug. 5, 2011.

Google product search, FN Herstal Model FS2000 Semi Automatic Carbine Rifle 3830000000, 223 R, 2pgs., http://www.google.com/products/catalog?hl=en&xhr=t&q=fn+model+fs2000&cp=15&bav=on.2,or.r_gc.r_pw.&..., printed on Aug. 3, 2011.

Wikipedia, the free encyclopedia, “FN F2000,” 5 pgs., http://en.wikipedia.org/wiki/FN_F2000, printed on Aug. 3, 2011.

* cited by examiner

Primary Examiner — Michael A Pratt

(74) *Attorney, Agent, or Firm* — Christie, Parker & Hale, LLP

(57) **CLAIM**

The ornamental design for firearm, as shown and described.

DESCRIPTION

FIG. 1 is a top, front, left perspective view of a firearm showing the new design.

FIG. 2 is a top, front, right perspective view thereof.

FIG. 3 is a left view thereof.

FIG. 4 is a front view thereof.

FIG. 5 is a right view thereof.

FIG. 6 is a back view thereof.

FIG. 7 is a top view thereof.

FIG. 8 is a bottom view thereof.

FIG. 9 is a top, front, left perspective view of a firearm showing the new design in an alternate context.

FIG. 10 is a top, front, right perspective view thereof.

FIG. 11 is a top, front, left perspective view of a firearm showing the new design in another alternate context; and,

FIG. 12 is a top, front, right perspective view thereof.

The broken lines immediately adjacent to the solid line disclosure represent the unclaimed boundaries of the claimed design. The broken lines showing the remainder of the firearm are for illustrative purposes only and form no part of the claimed design.

1 Claim, 11 Drawing Sheets

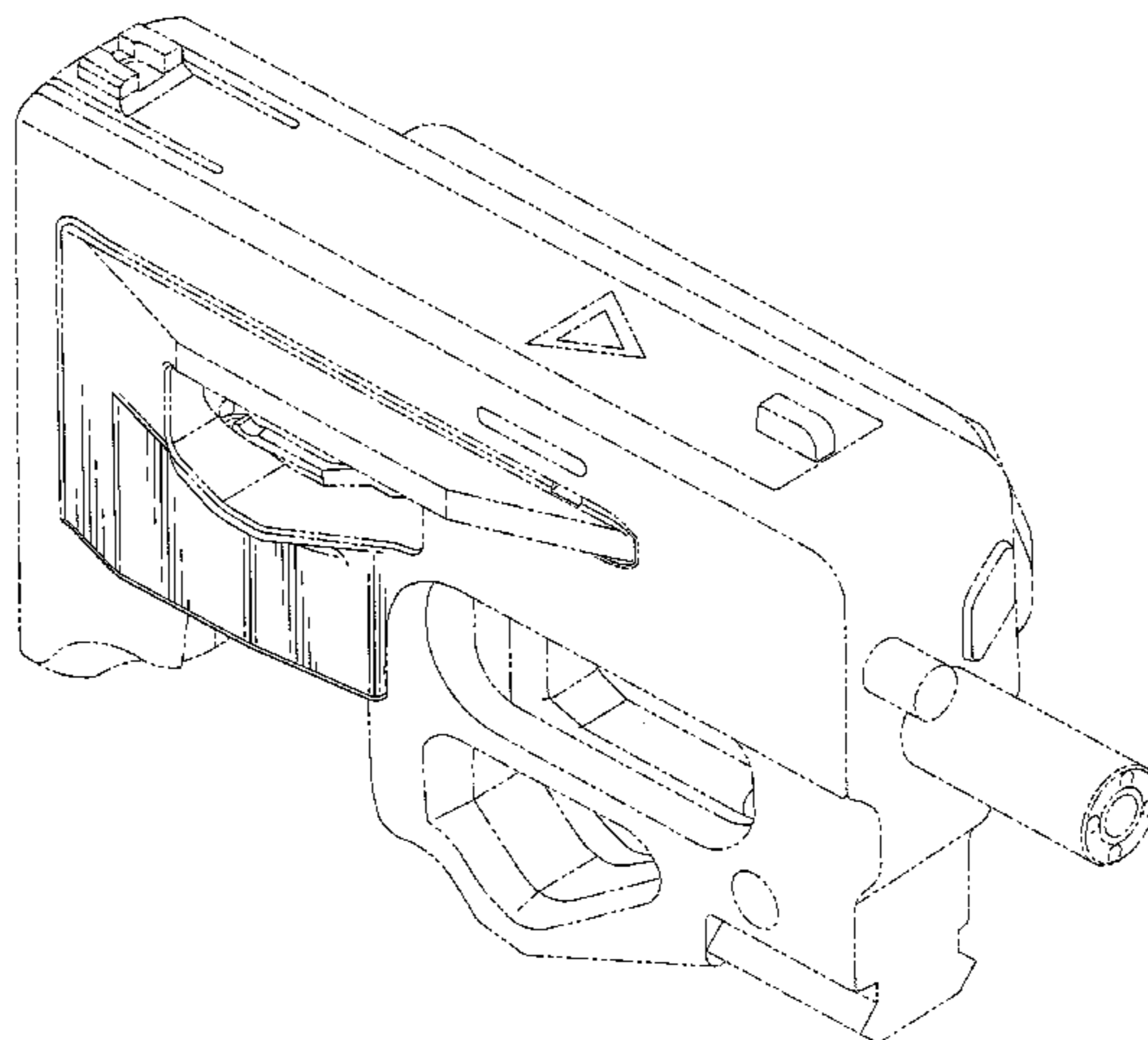
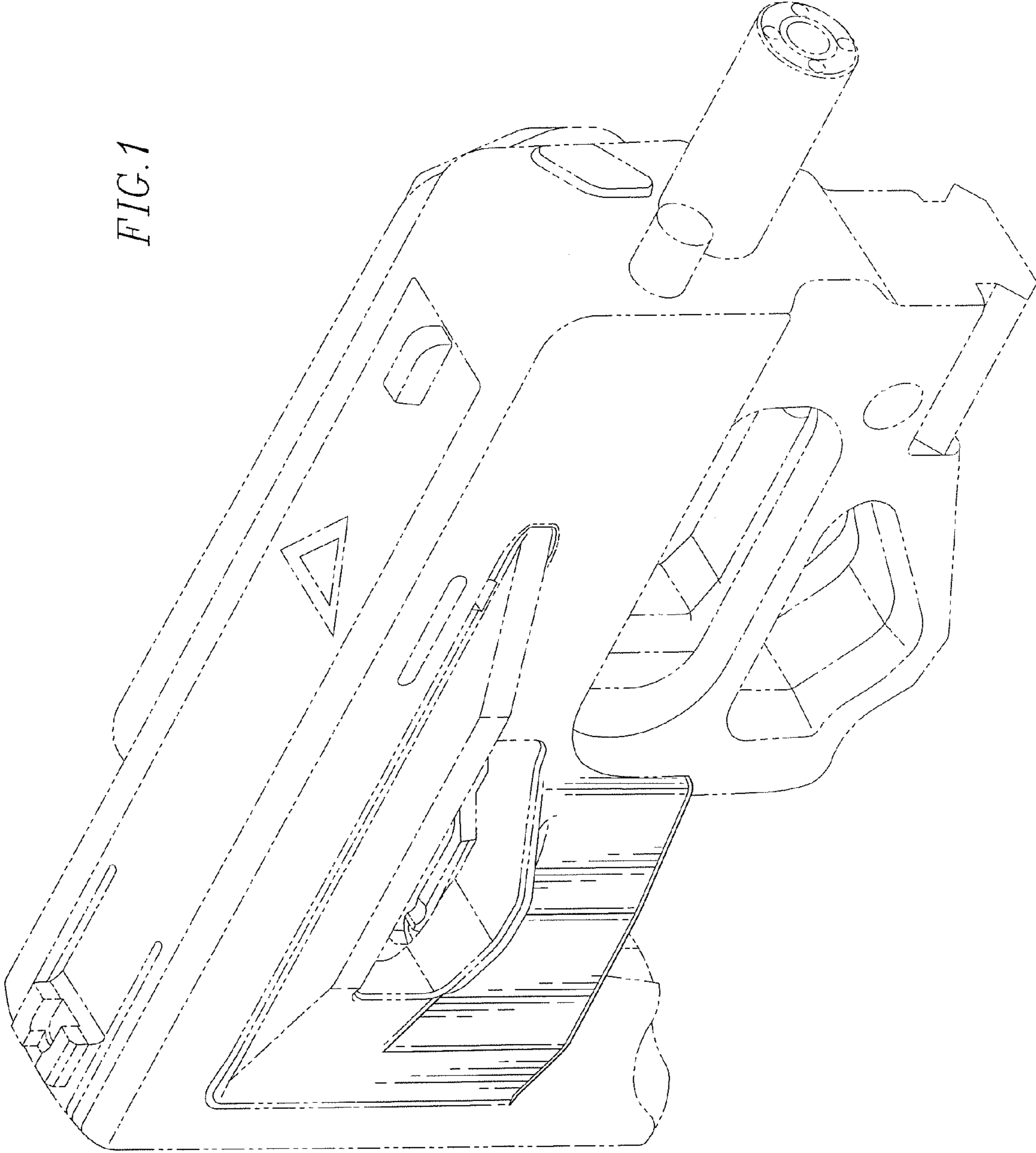


FIG. 1



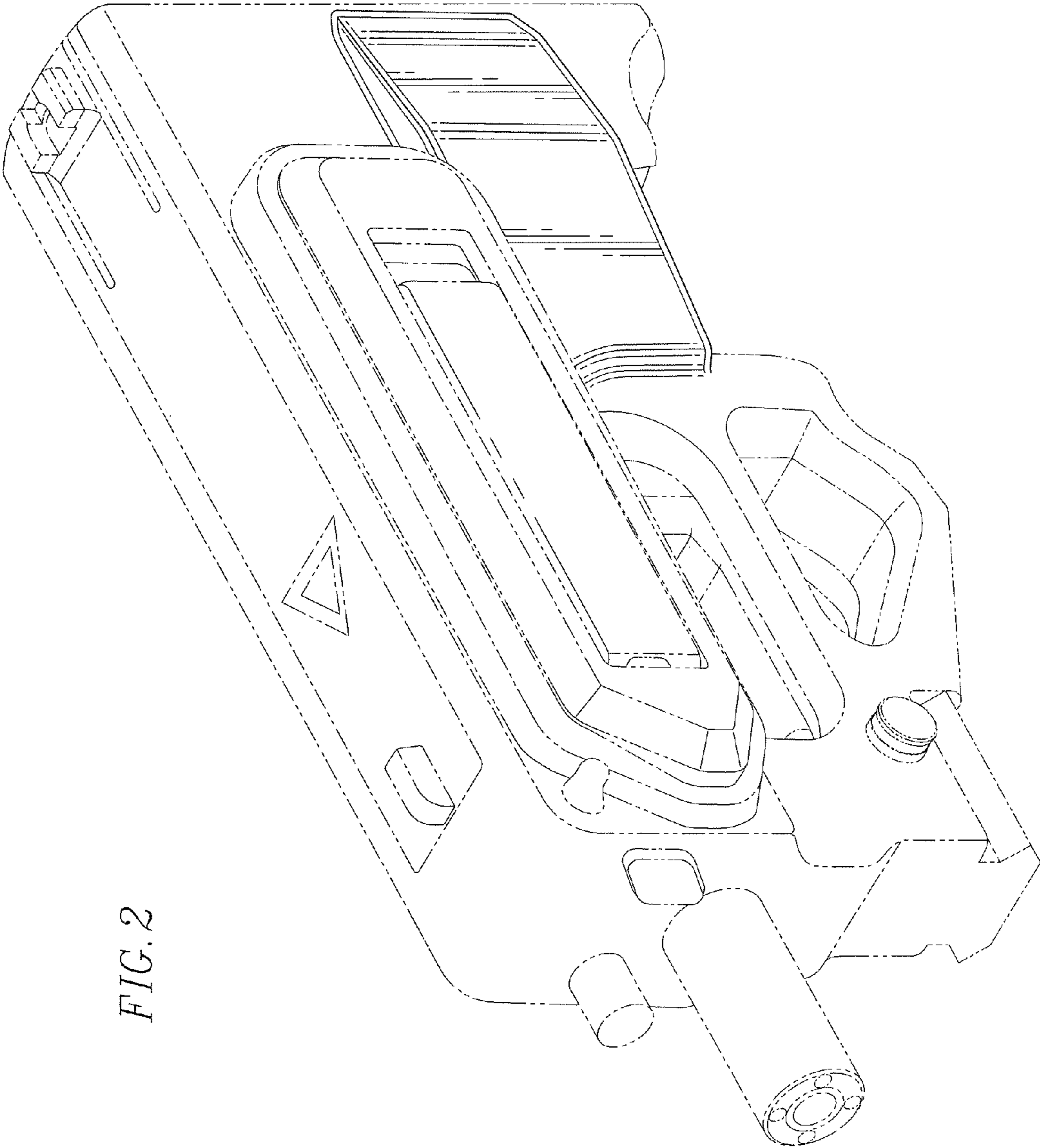


FIG. 2

FIG. 3

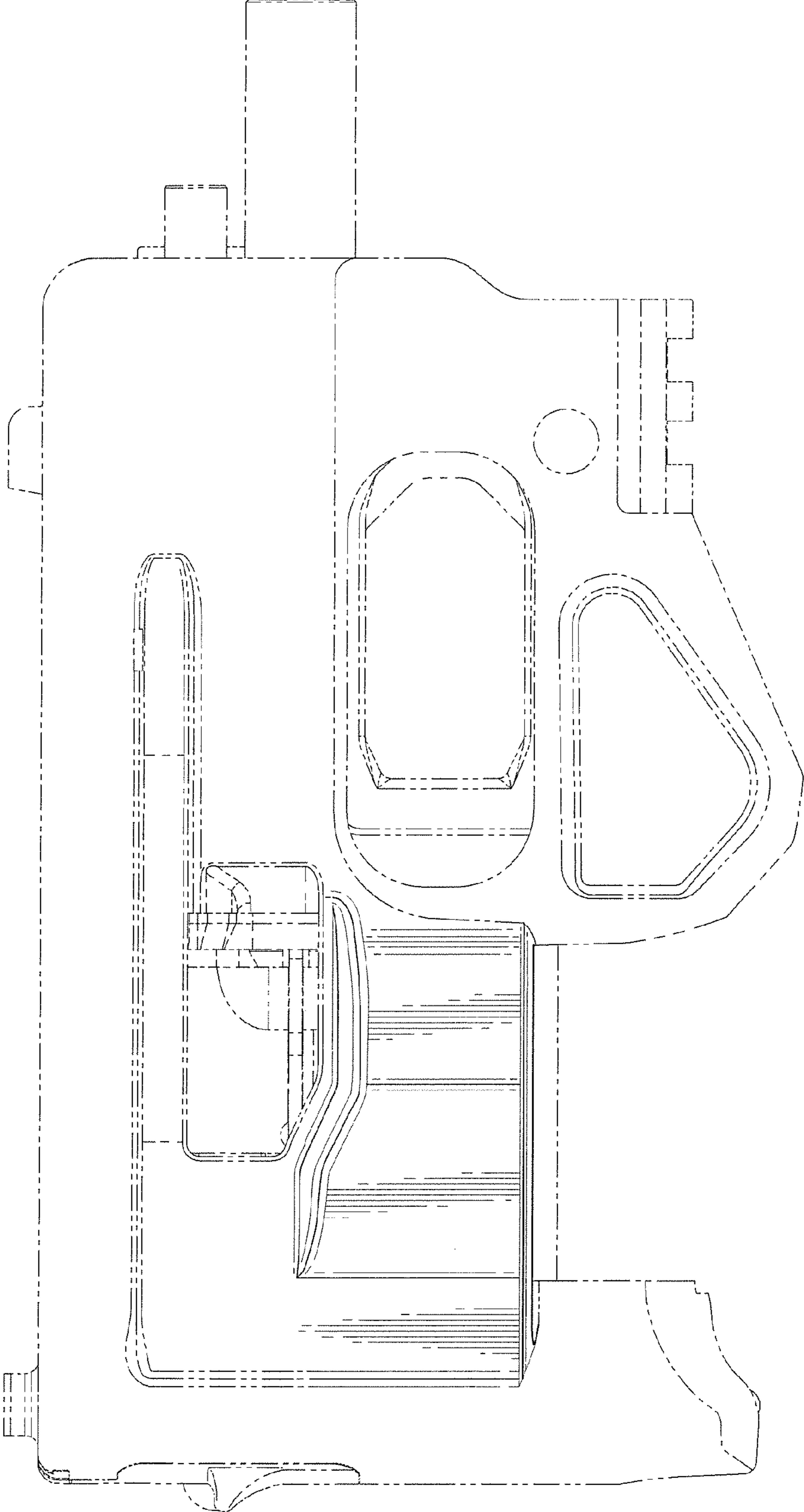


FIG. 6

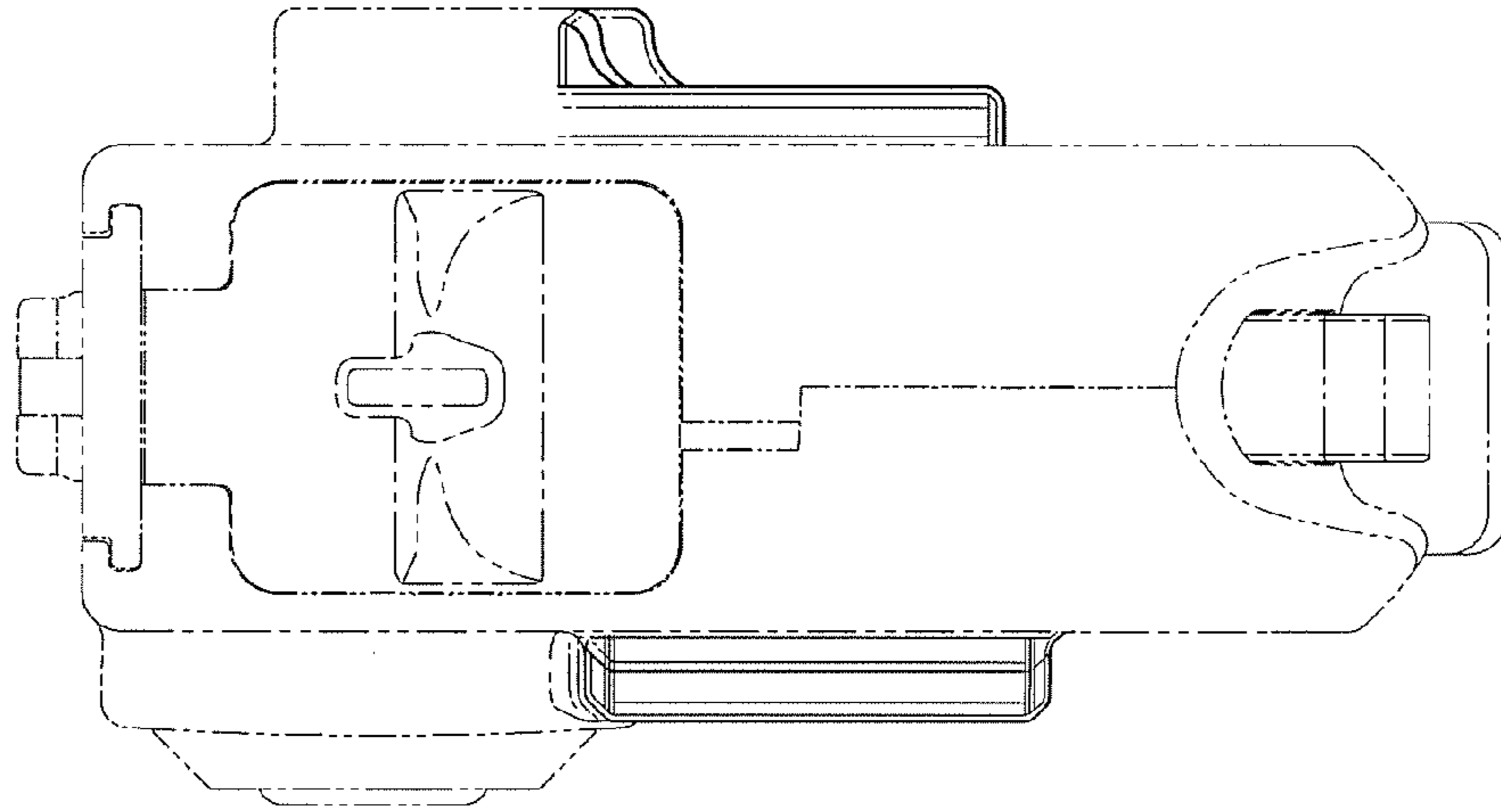


FIG. 4

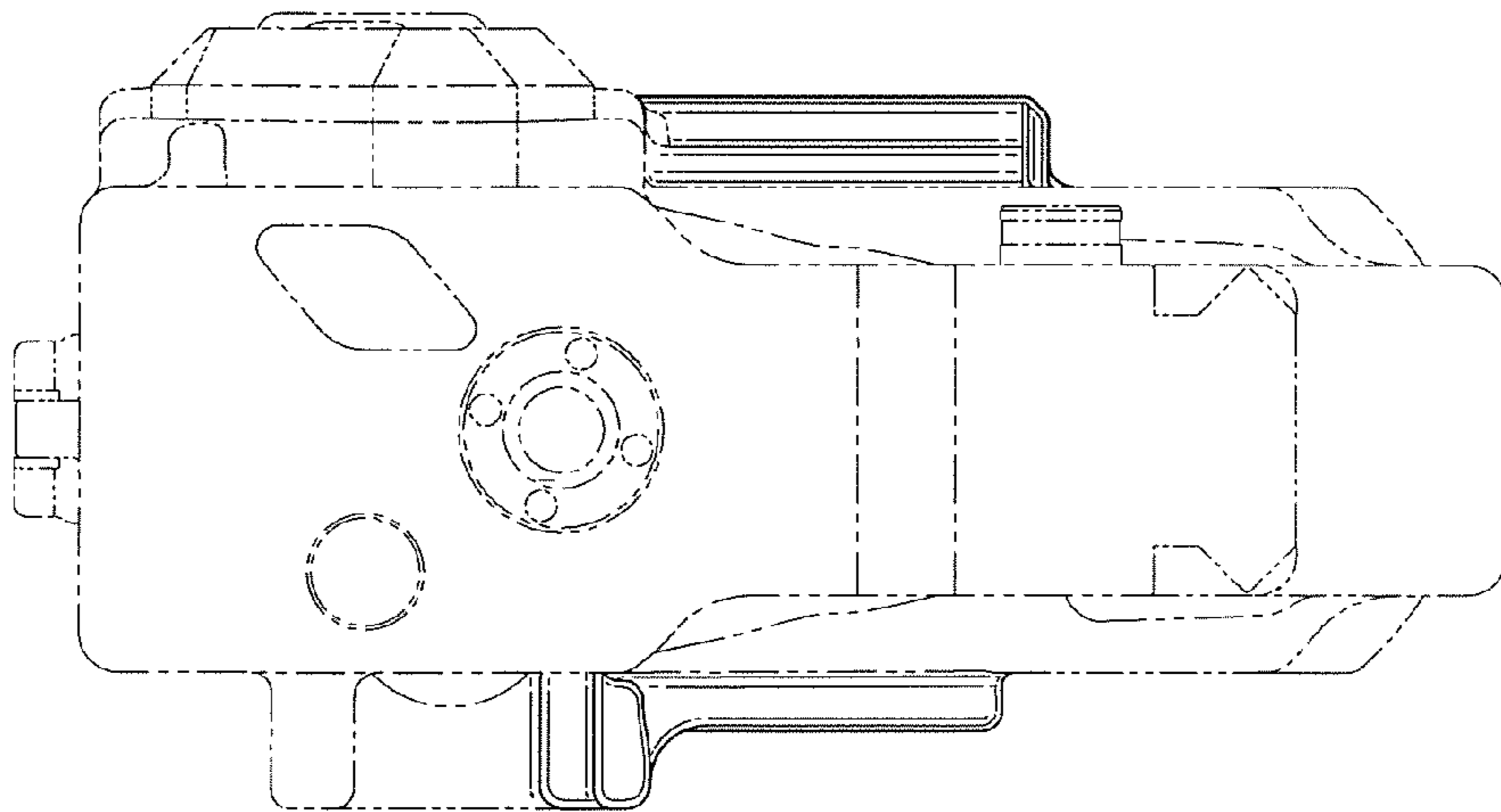


FIG. 5

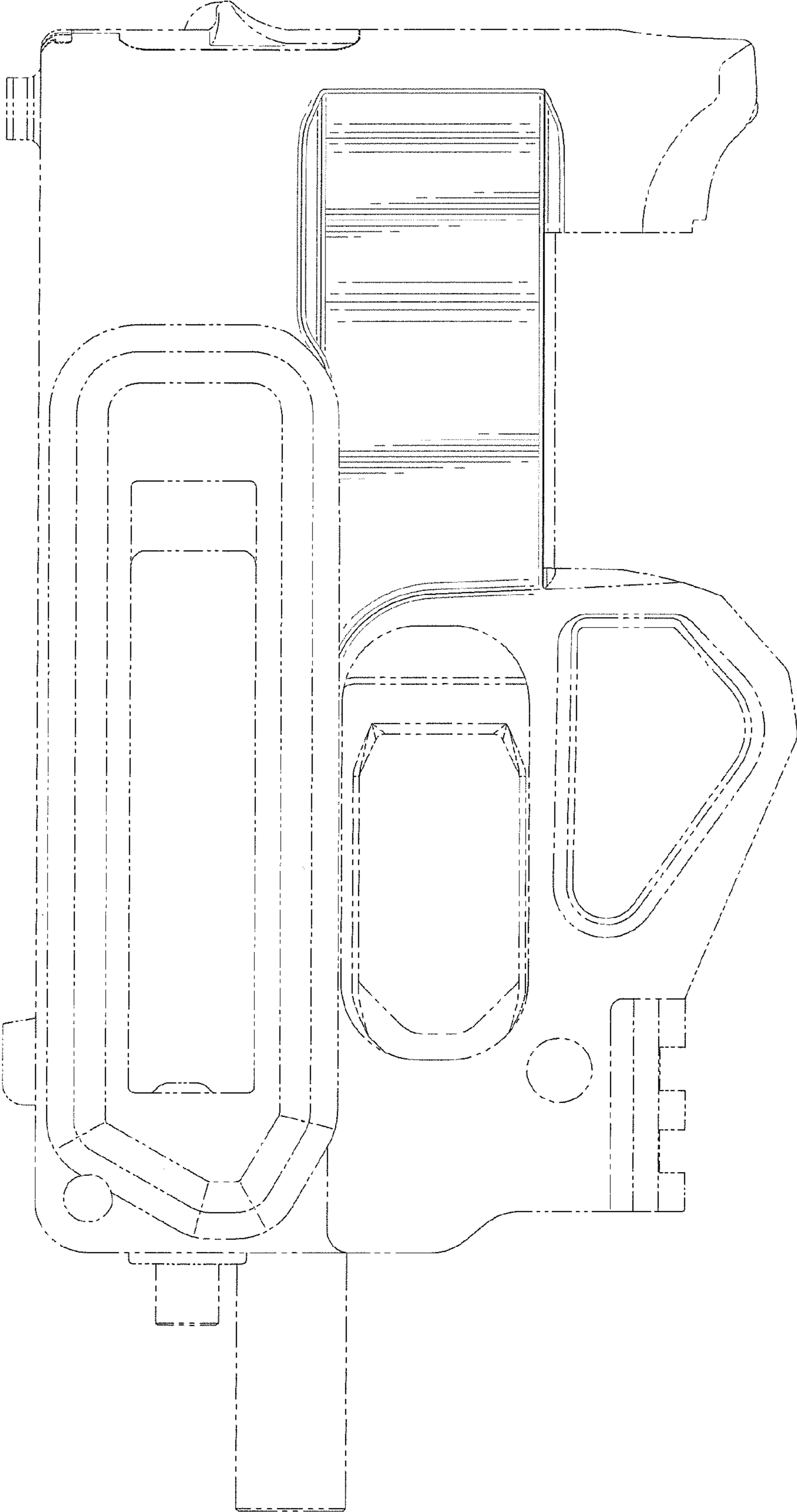


FIG. 7



FIG. 8

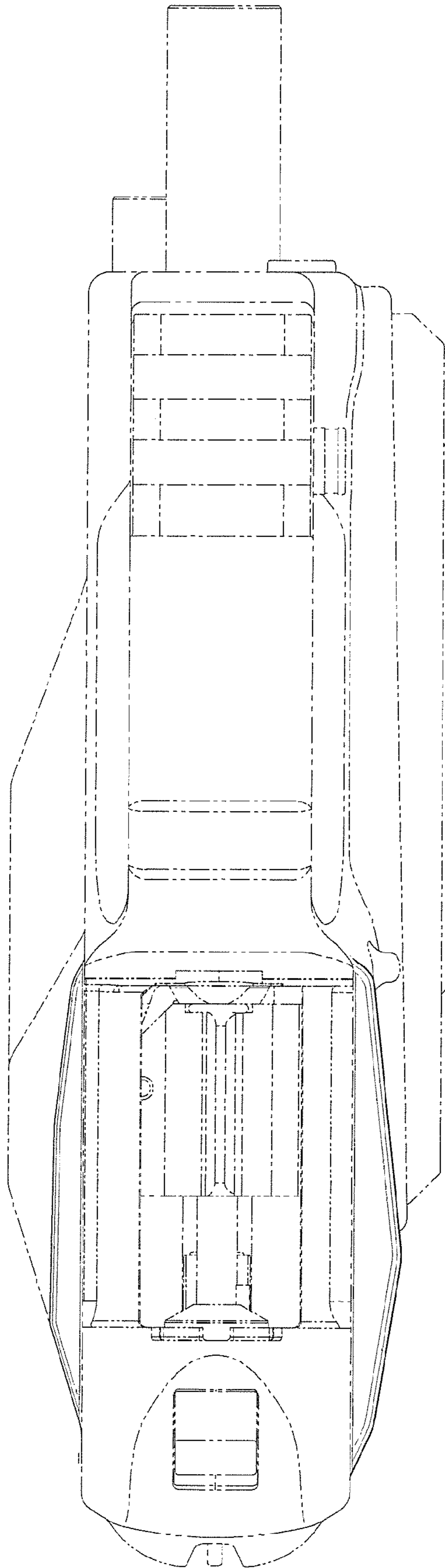
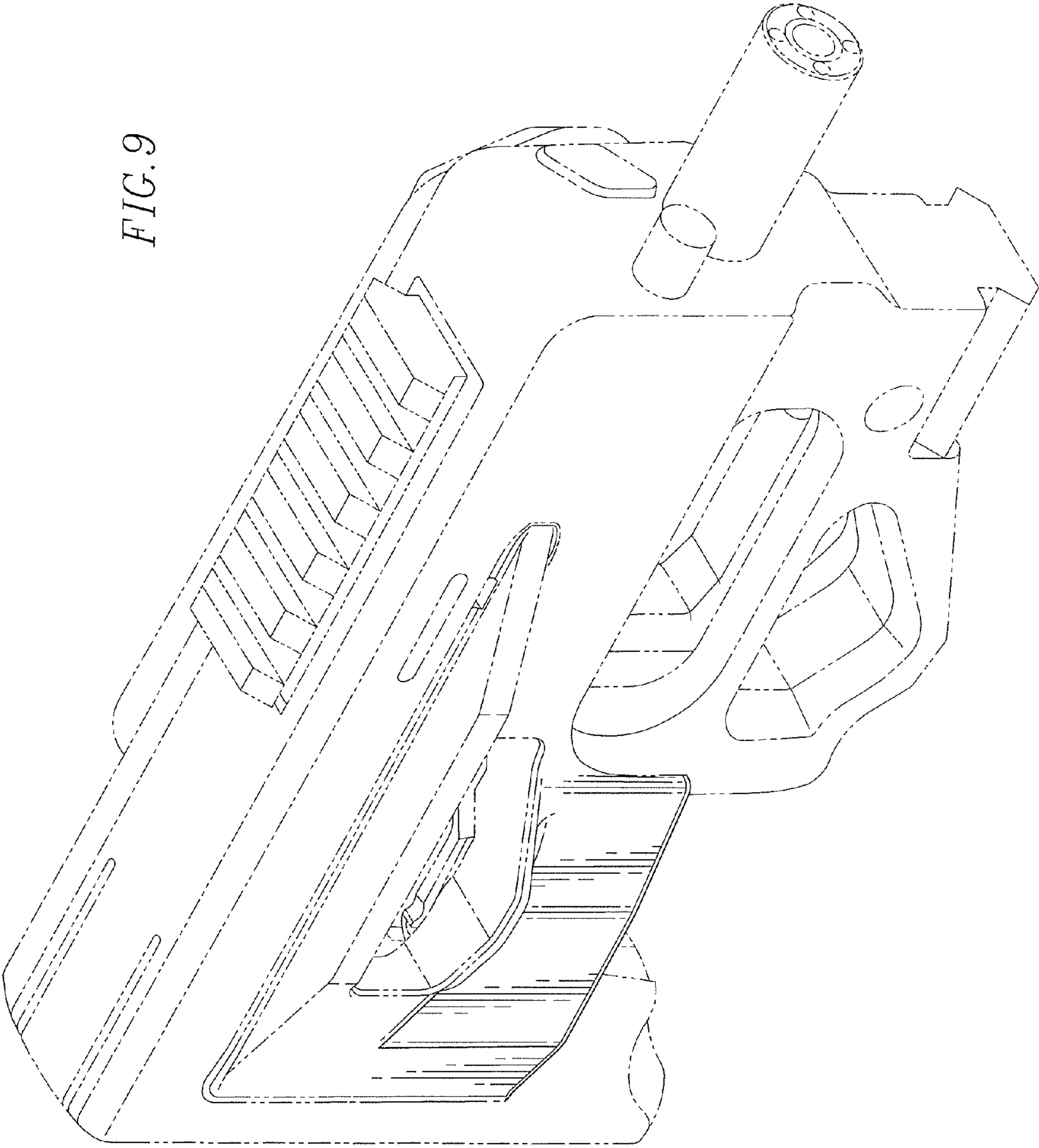


FIG. 9



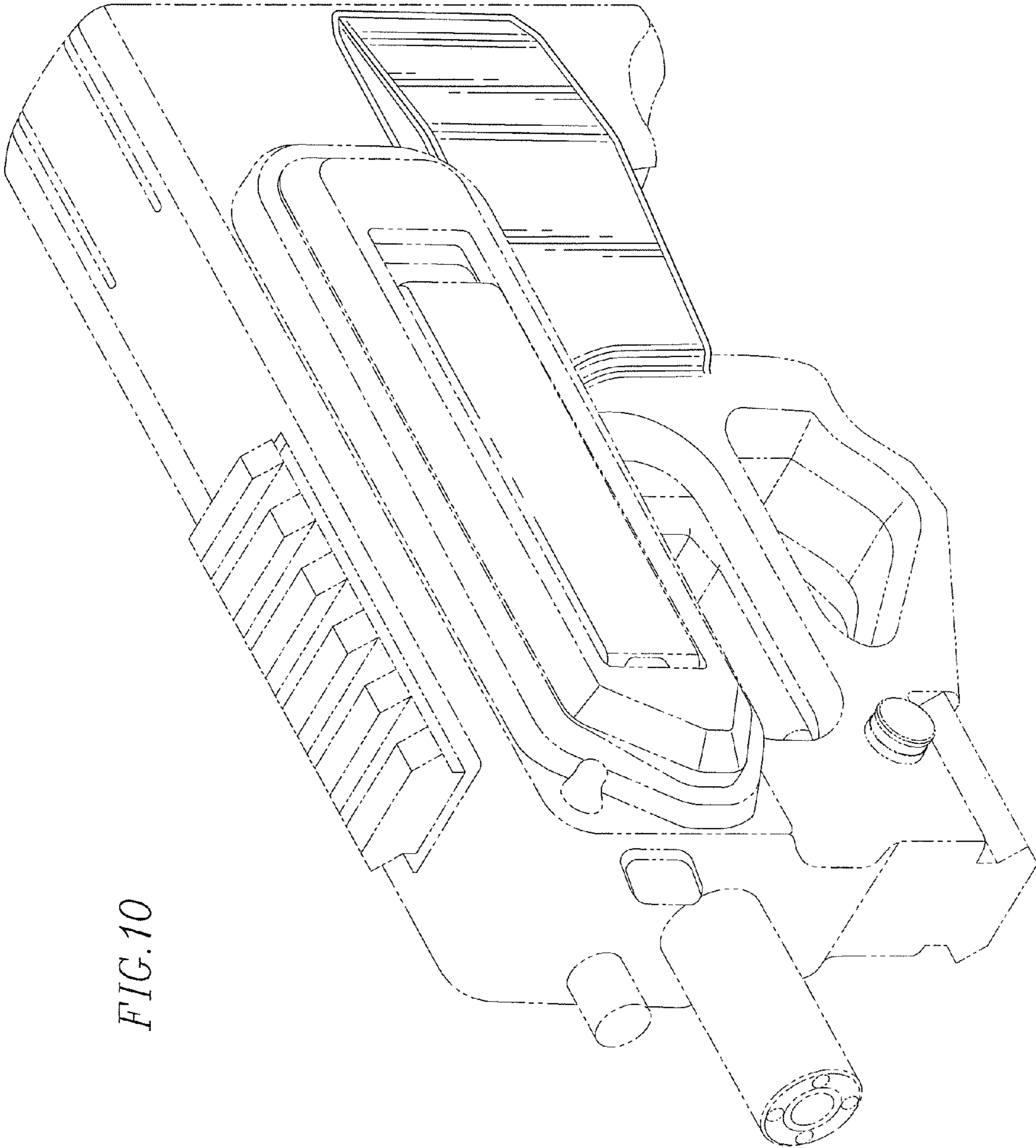
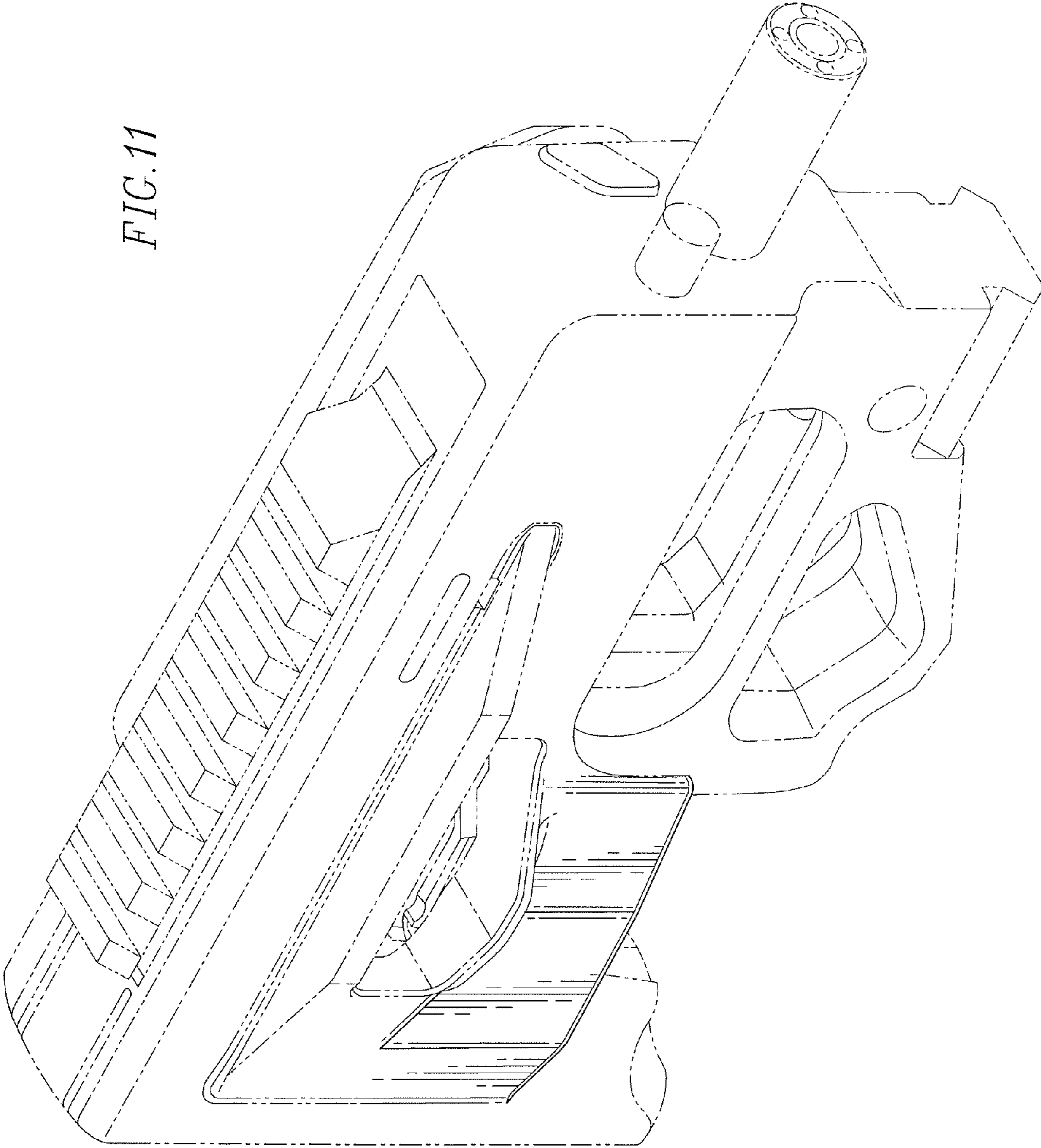


FIG.10

FIG. 11



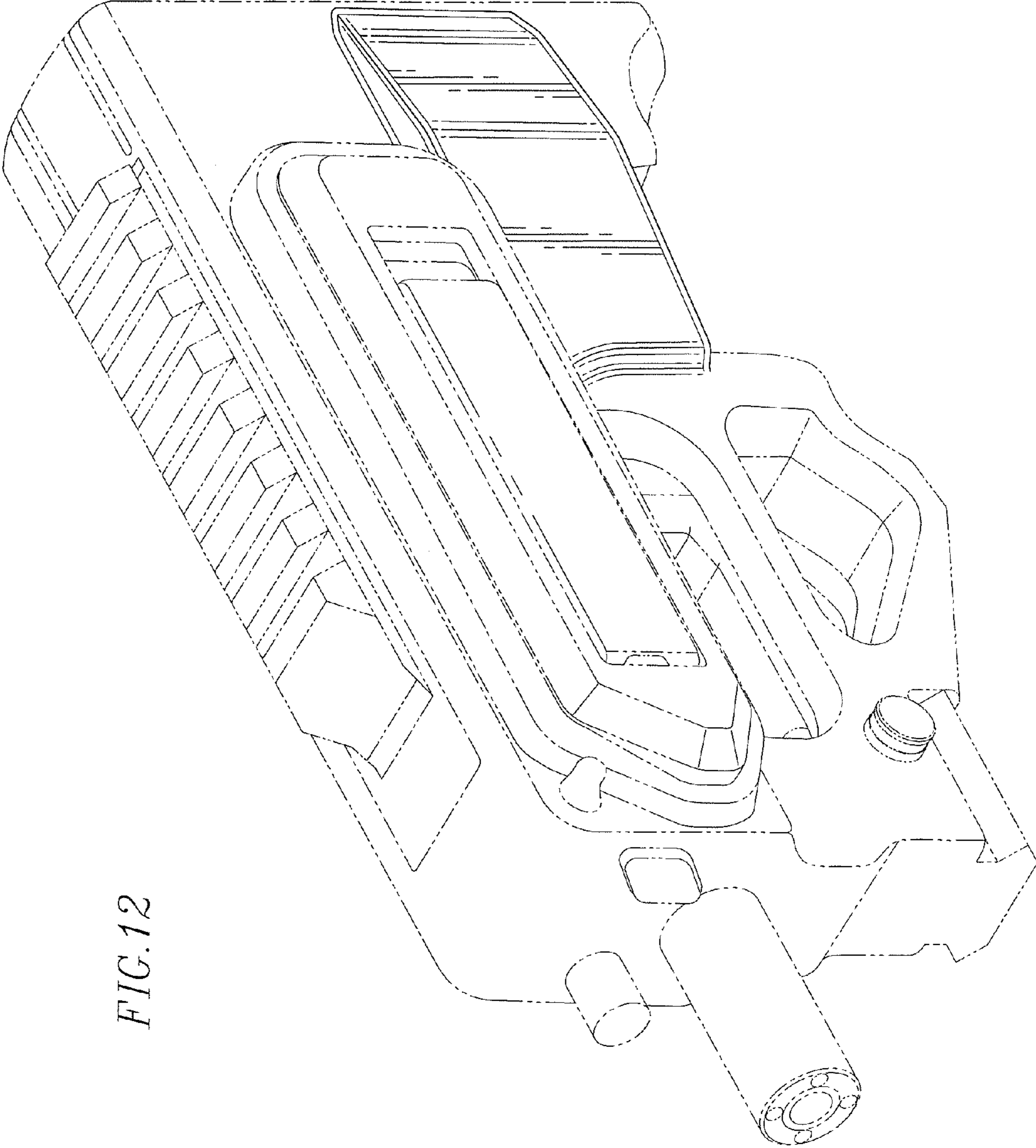


FIG.12