



US00D674854S

(12) **United States Design Patent**
Steger

(10) **Patent No.:** **US D674,854 S**

(45) **Date of Patent:** **** *Jan. 22, 2013**

(54) **FLOTATION DEVICE**

(76) Inventor: **Ralph E Steger**, Baxley, GA (US)

(*) Notice: This patent is subject to a terminal disclaimer.

(**) Term: **14 Years**

(21) Appl. No.: **29/410,874**

(22) Filed: **Jan. 12, 2012**

Related U.S. Application Data

(63) Continuation of application No. 29/392,034, filed on May 17, 2011, now abandoned.

(51) **LOC (9) Cl.** **21-06**

(52) **U.S. Cl.** **D21/805**

(58) **Field of Classification Search** D21/769-770,
D21/801, 803, 809, 805; 114/253, 345-346;
441/35, 66, 40-42, 74, 75, 129-132; 472/128-129;
D12/5, 6, 316

See application file for complete search history.

(56) **References Cited**

U.S. PATENT DOCUMENTS

D255,966 S * 7/1980 Stadel D6/604
D311,808 S * 11/1990 Chvilicek et al. D29/101.2
5,030,153 A 7/1991 Bailey

5,702,153 A * 12/1997 Pliska 297/256.16
5,775,967 A 7/1998 Lacoursiere et al.
6,447,353 B1 9/2002 Henry
6,537,119 B2 3/2003 Deslauriers
6,582,266 B1 6/2003 Steger et al.
6,776,678 B2 8/2004 Courtney
6,820,938 B2 * 11/2004 Barrett 297/452.41
7,255,621 B2 8/2007 Deslauriers
7,266,852 B2 * 9/2007 Davis 5/81.1 HS
D639,374 S * 6/2011 Vick D21/805

* cited by examiner

Primary Examiner — Zenia Bennett

(57) **CLAIM**

The ornamental design for a flotation device, as shown as described.

DESCRIPTION

FIG. 1 is a front side perspective view of my flotation device; FIG. 2 is a front elevation view thereof; FIG. 3 is a rear elevation view thereof; FIG. 4 is a left side elevation view thereof; FIG. 5 is a right side elevation view thereof; FIG. 6 is a top plan view thereof; FIG. 7 is a bottom plan view thereof; and, FIG. 8 is a front side perspective view thereof in an open configuration.

The broken line showing is for illustrative purposes only and forms no part of the claimed design.

1 Claim, 8 Drawing Sheets

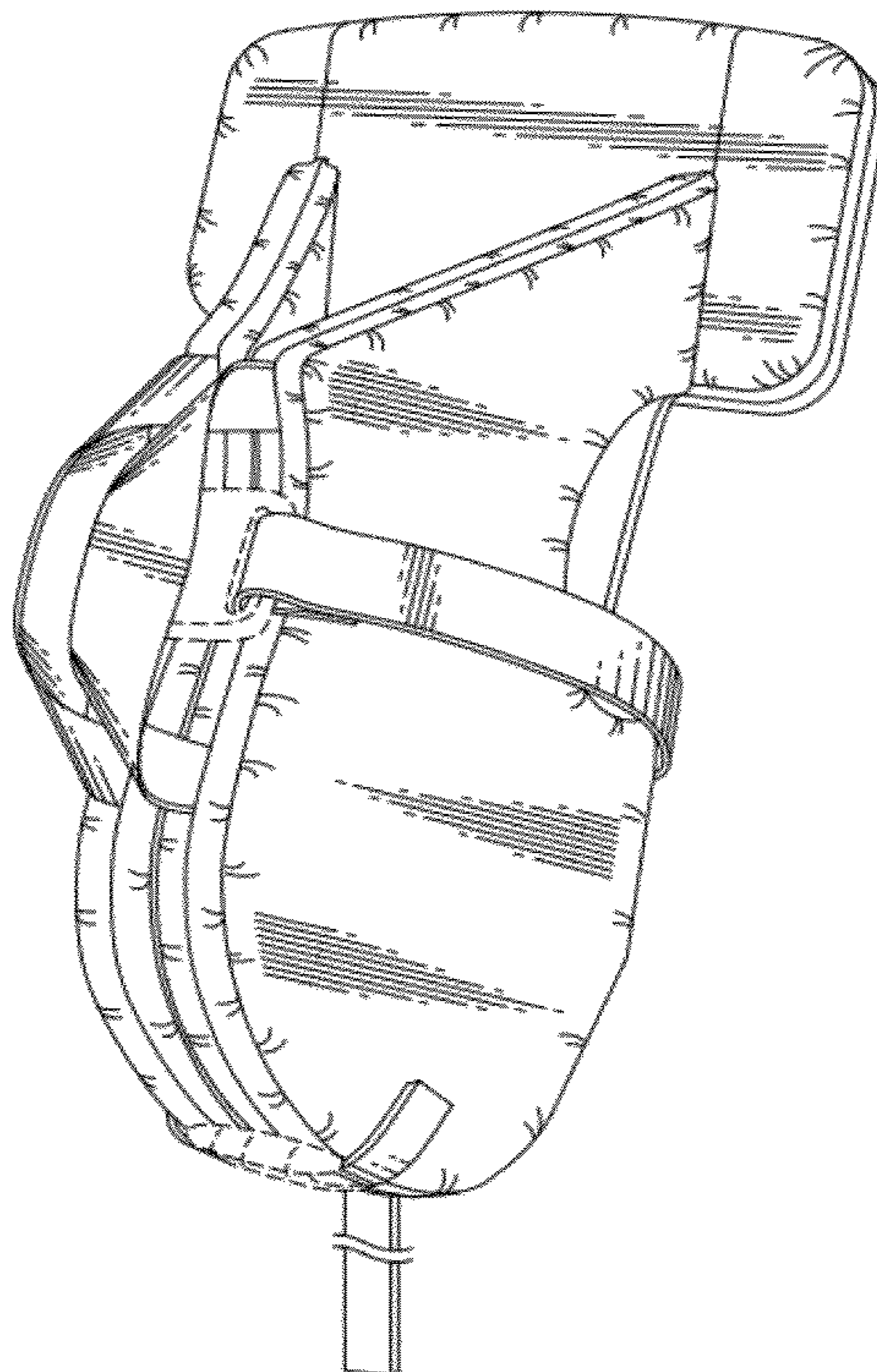


FIG. 1

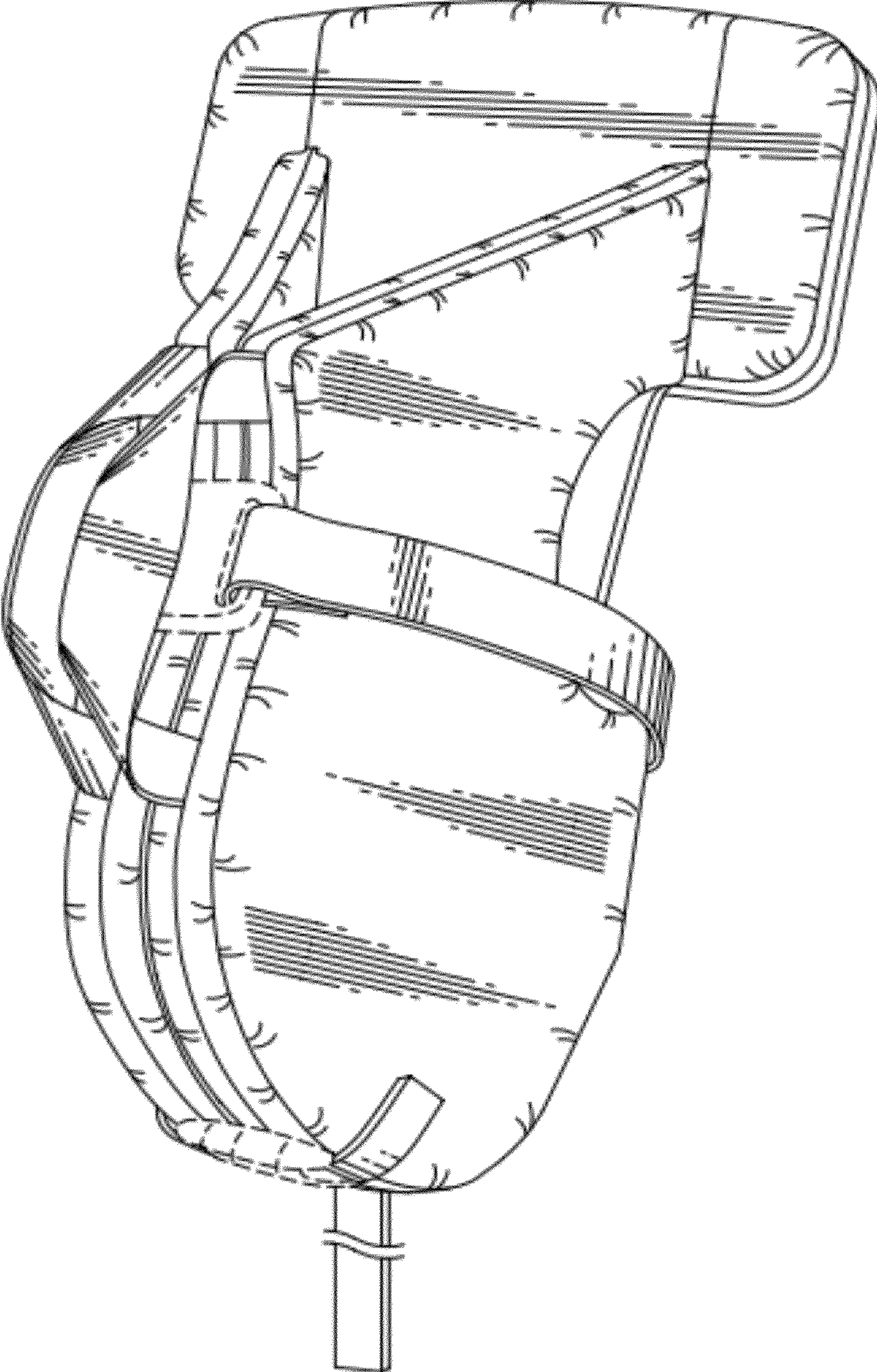


FIG. 2

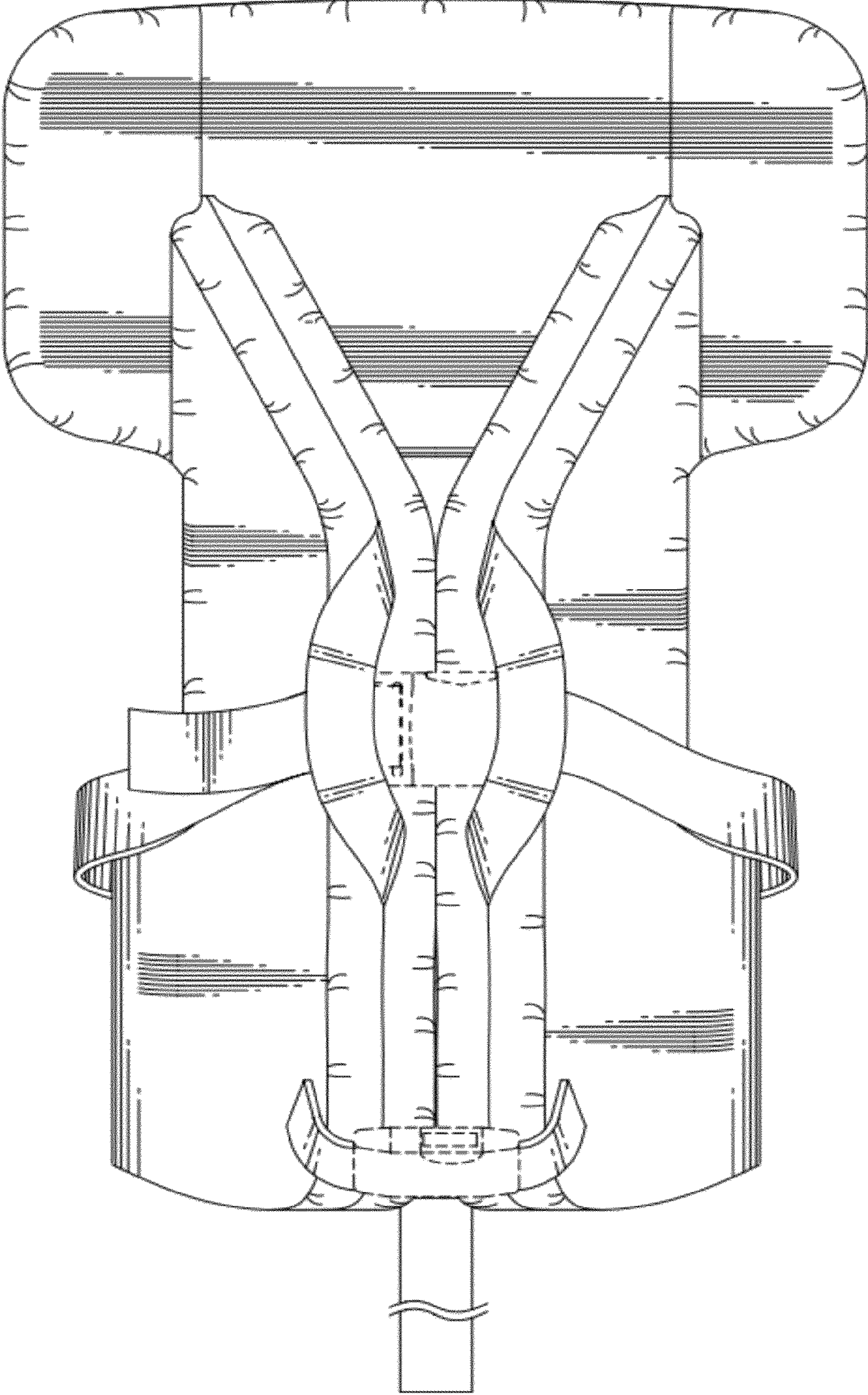


FIG. 3

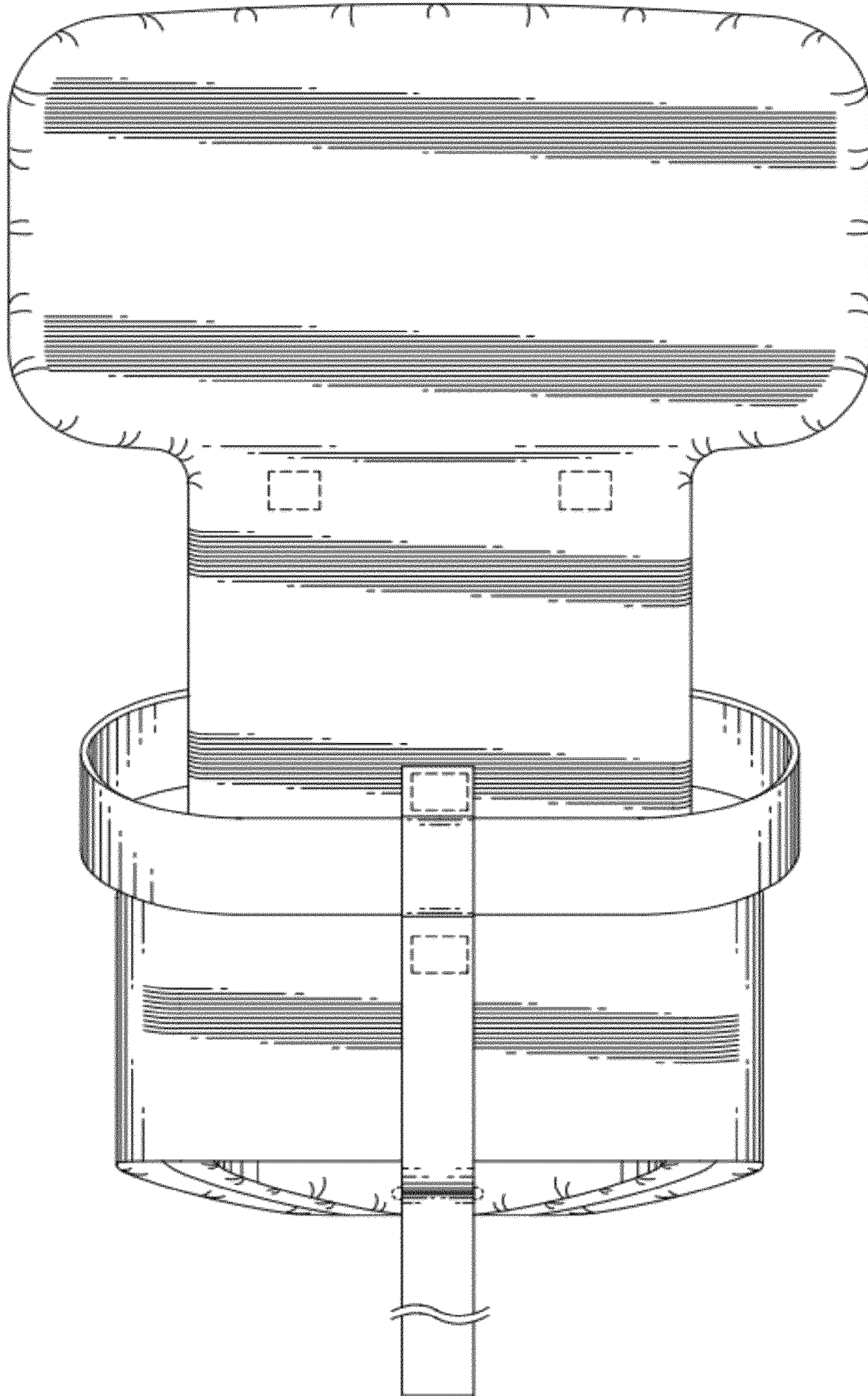


FIG. 4

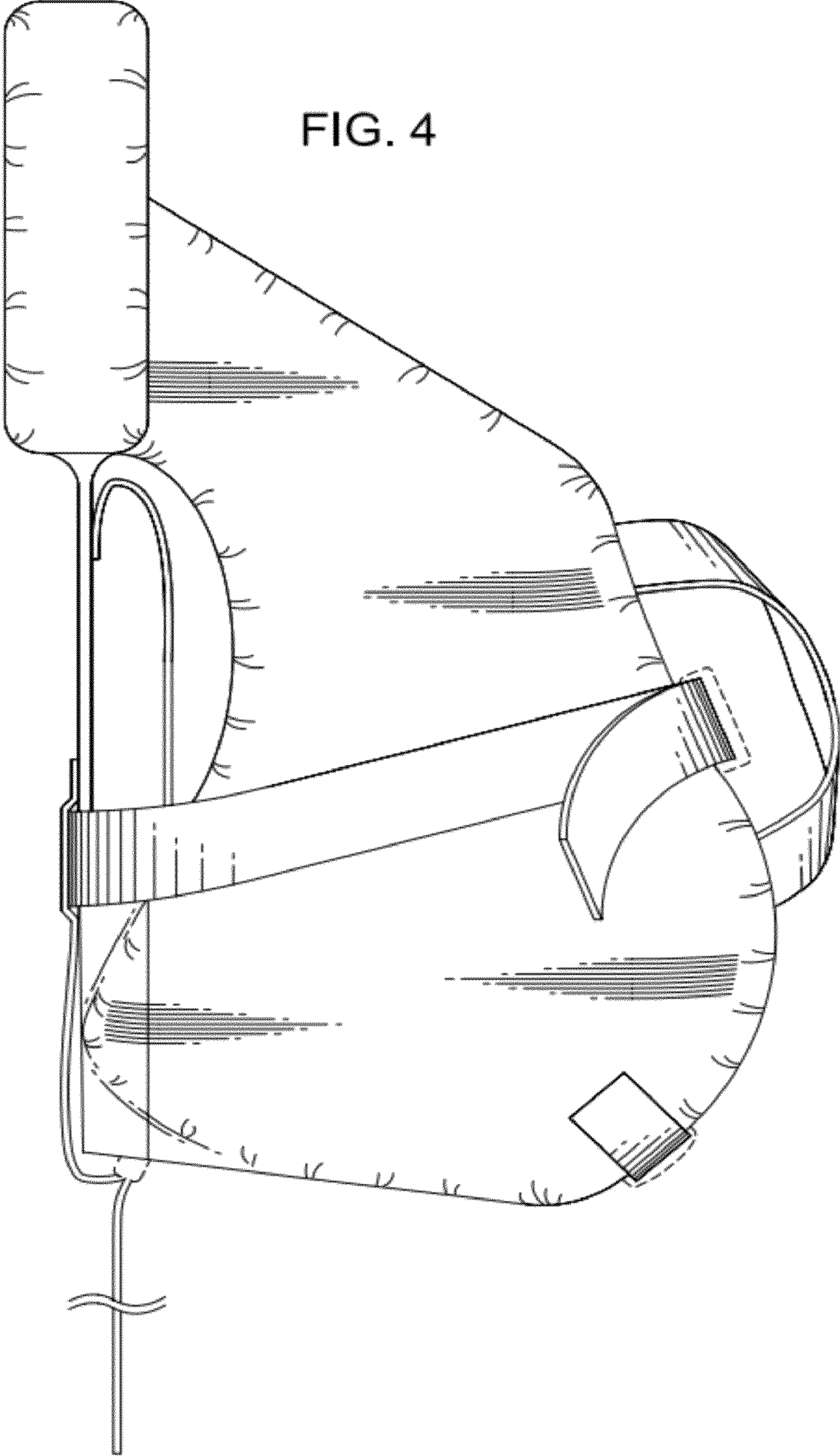


FIG. 5

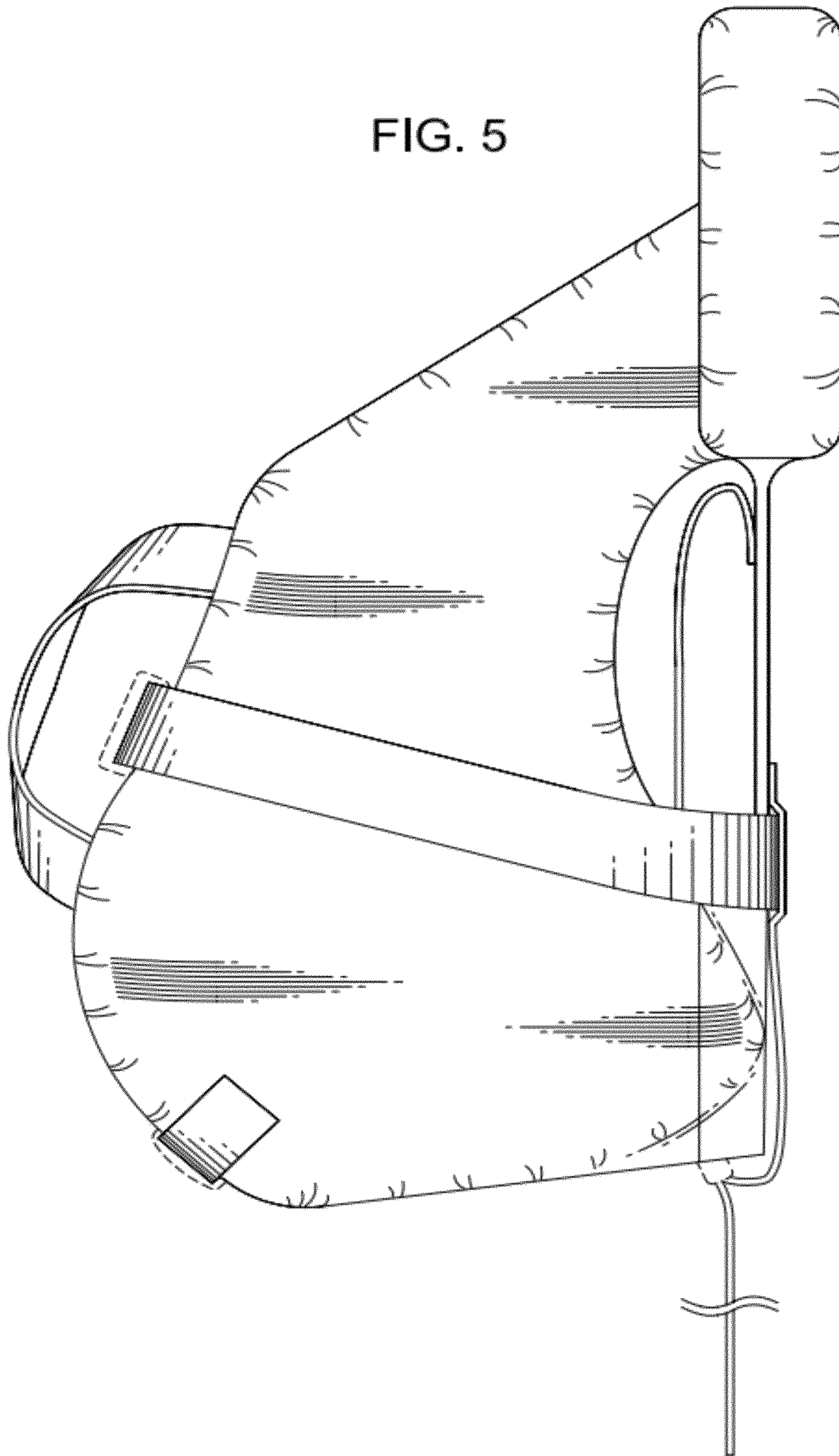


FIG. 6

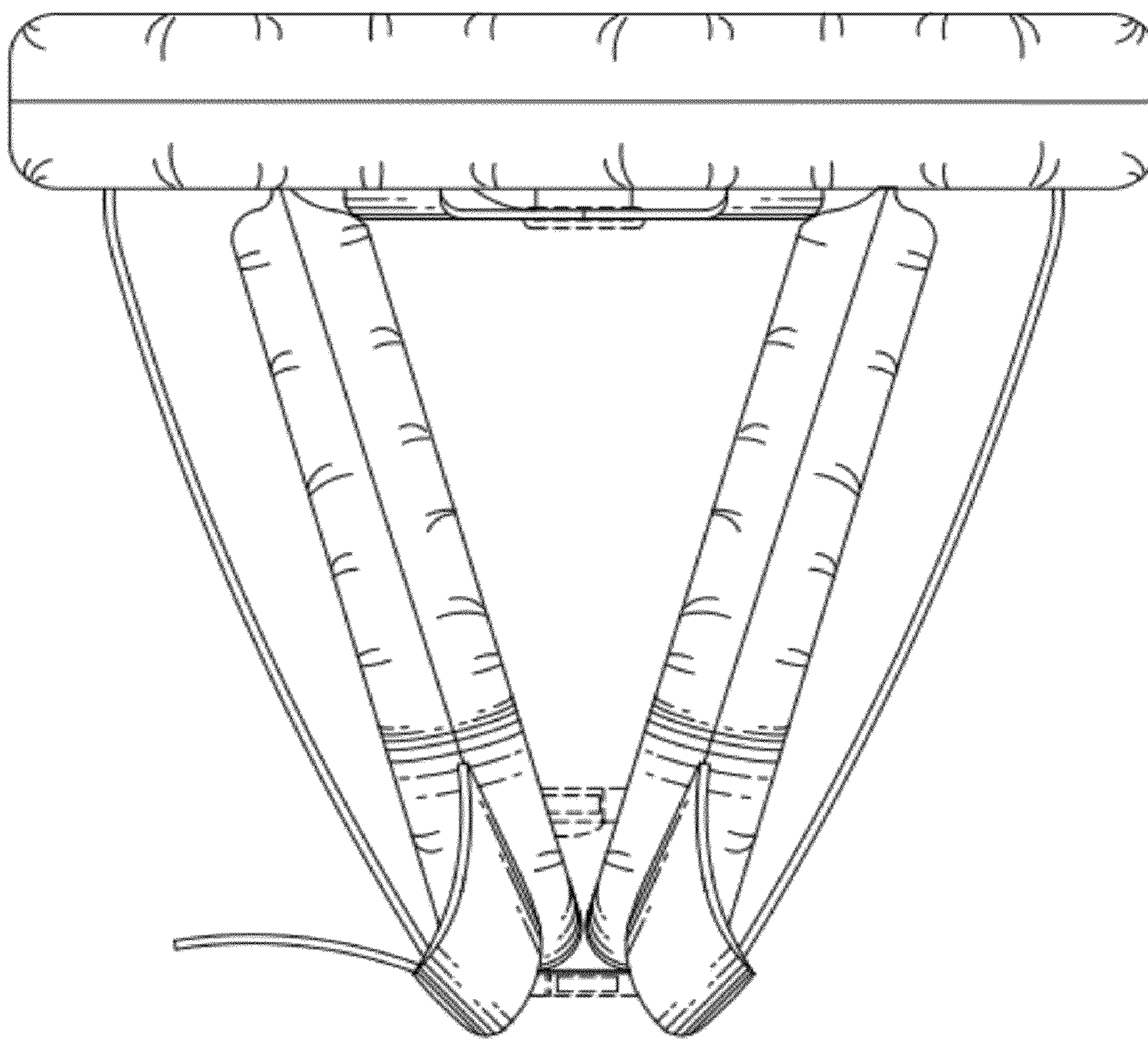


FIG. 7

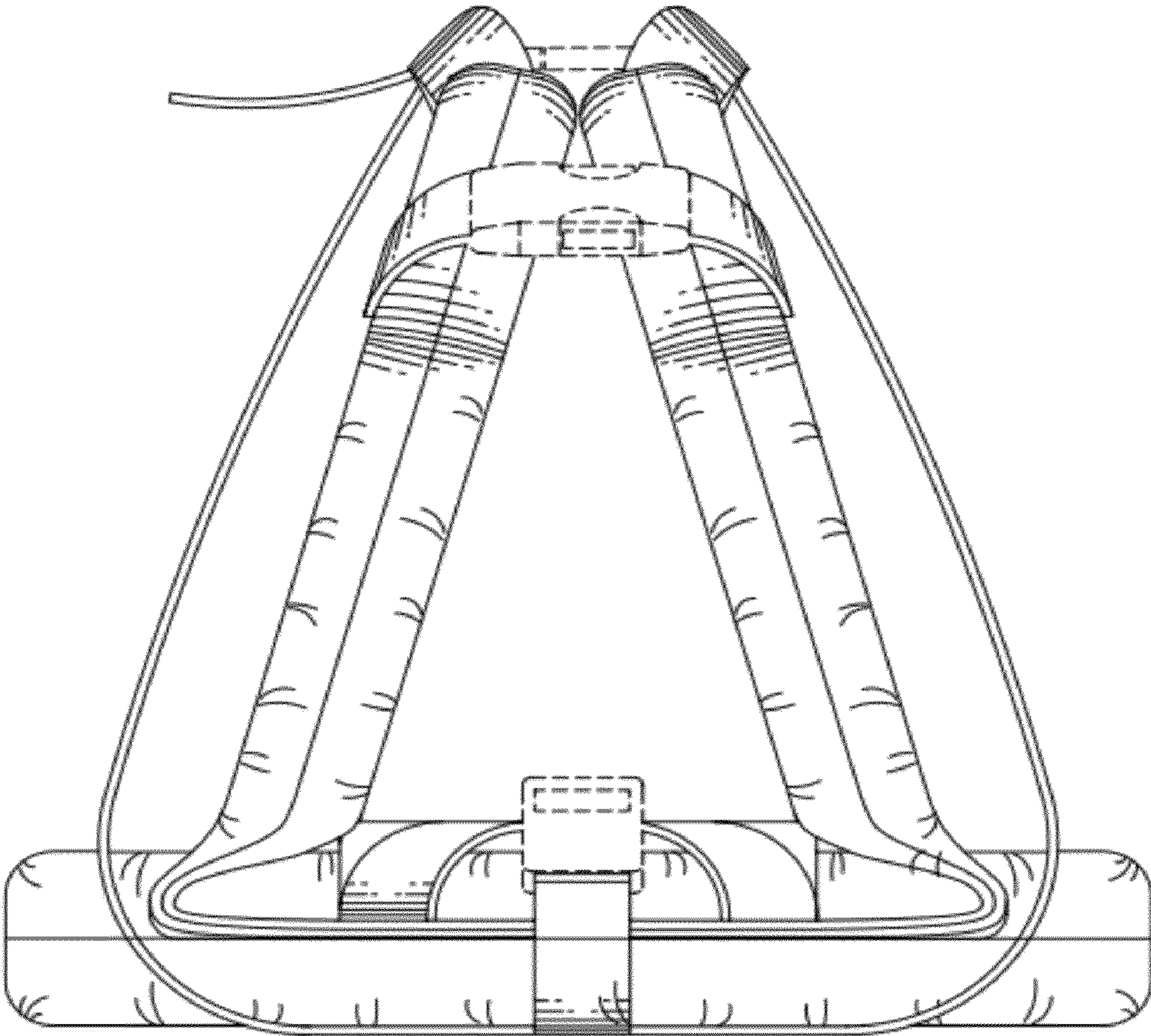


FIG. 8

