



US00D674851S

(12) **United States Design Patent**
Osborne et al.

(10) **Patent No.:** **US D674,851 S**
(45) **Date of Patent:** **** Jan. 22, 2013**

(54) **BALL LAUNCHER**

(75) Inventors: **Kent B. Osborne**, Sandy, UT (US);
Brad B. Osborne, Lehi, UT (US); **Blake B. Osborne**, Sandy, UT (US); **Travis D. Kinnersley**, Salt Lake City, UT (US);
William J. Hendricks, Highland, UT (US)

4,076,004 A 2/1978 Huelskamp
4,085,936 A 4/1978 Patterson
D249,815 S 10/1978 Huelskamp
D284,342 S 6/1986 Campbell
4,974,574 A 12/1990 Cutlip
4,995,374 A 2/1991 Black
D325,612 S 4/1992 Longo
5,129,650 A 7/1992 Hayman
D352,641 S 11/1994 Coquereau et al.
5,390,652 A * 2/1995 Minneman et al. 124/5

(Continued)

(73) Assignee: **Black Rock Trading, LLC**, Salt Lake City, UT (US)

(**) Term: **14 Years**

(21) Appl. No.: **29/414,377**

(22) Filed: **Feb. 28, 2012**

(51) **LOC (9) Cl.** **21-02**

(52) **U.S. Cl.** **D21/722; D30/160**

(58) **Field of Classification Search** D21/722;
D30/160; 473/505-515; 24/3.12, 3.3, 336;
294/19.2; 124/5, 7, 41.1, 4

See application file for complete search history.

(56) **References Cited**

U.S. PATENT DOCUMENTS

1,535,029 A 4/1925 Murch
1,585,446 A 5/1926 Warwick
1,862,904 A 6/1932 Pearson
1,994,207 A 6/1934 Ahles
2,810,957 A 9/1954 Nelson
3,048,399 A 8/1962 Breitbach
3,206,202 A 9/1965 Evans
3,428,036 A 2/1969 Parker
3,442,544 A 5/1969 Faber
3,589,349 A * 6/1971 Parker 124/5
3,611,996 A 10/1971 Wegner
3,841,292 A 10/1974 Hoffman
D239,812 S 5/1976 Gould

OTHER PUBLICATIONS

A Clean Game of Fetch; Seattle Post-Intelligencer; Jul. 1999, 1 page.

(Continued)

Primary Examiner — Mitchell Siegel

(74) Attorney, Agent, or Firm — Workman Nydegger

(57) **CLAIM**

The ornamental design for a ball launcher, as shown and described.

DESCRIPTION

FIG. 1 is a perspective view of a ball launcher according to the present invention;

FIG. 2 is a front view of the ball launcher of FIG. 1;

FIG. 3 is a back view of the ball launcher of FIG. 1;

FIG. 4 is a first side view of the ball launcher of FIG. 1;

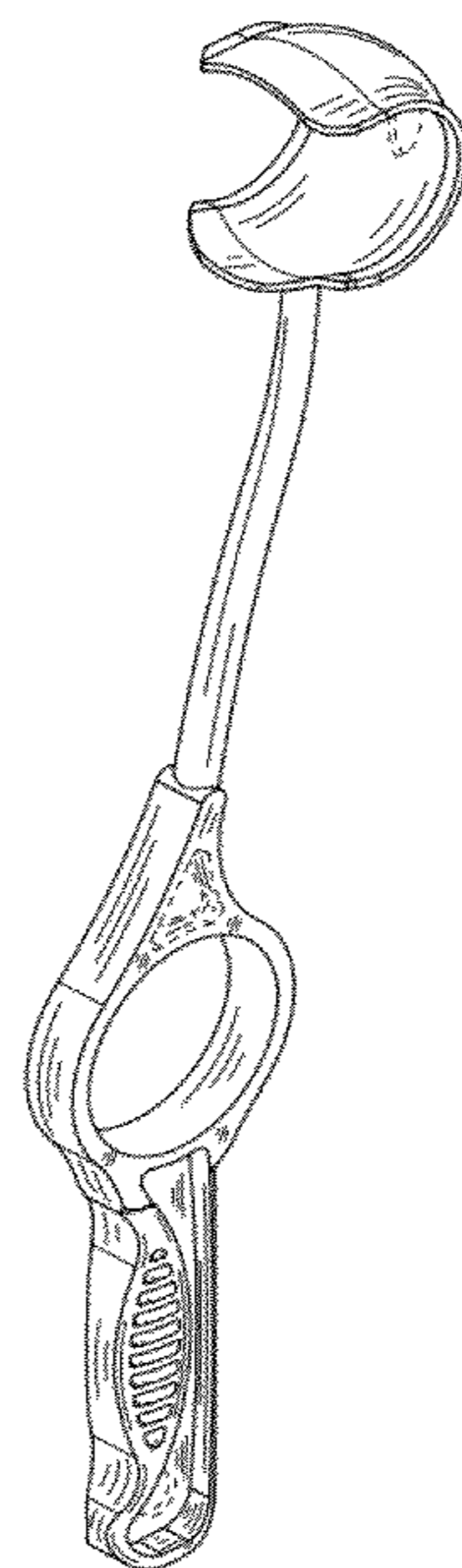
FIG. 5 is a second, opposite side view of the ball launcher of FIG. 1;

FIG. 6 is a top view of the ball launcher of FIG. 1; and,

FIG. 7 is a bottom view of the ball launcher of FIG. 1.

The broken lines shown are directed to environmental structure and are for illustrative purposes only. The broken lines form no part of the claimed design.

1 Claim, 5 Drawing Sheets



US D674,851 S

Page 2

U.S. PATENT DOCUMENTS

5,423,543 A 6/1995 Tarrant
5,437,488 A 8/1995 Richmond et al.
D402,167 S 12/1998 Durbin
D405,660 S 2/1999 Hansen et al.
D424,640 S * 5/2000 Oblack D21/722
6,076,829 A * 6/2000 Oblack 124/5
6,477,745 B2 * 11/2002 Strebl 24/3.12
D480,280 S 10/2003 Schulein
D484,938 S * 1/2004 Tu D21/789
D516,145 S 2/2006 Oblack et al.
D525,326 S 7/2006 Green
D554,717 S * 11/2007 McKinnell et al. D21/722
D577,396 S 9/2008 Burger
D602,542 S 10/2009 Oblack et al.
D609,290 S 2/2010 Oblack et al.
D609,761 S 2/2010 Burger et al.
7,686,001 B2 * 3/2010 Fitt 124/5
D630,277 S * 1/2011 McKinnell D21/722

D637,248 S * 5/2011 Levin et al. D21/722
D640,338 S * 6/2011 Oblack et al. D21/722
D655,359 S * 3/2012 Thorogood D21/722
D666,686 S * 9/2012 Burger D21/722

OTHER PUBLICATIONS

Dog Fancy Magazine; vol. 31, Jan. 2000, 4 pages.
Zoink Fetch N Fling Thrower for Dogs; <http://www.pet-dog-cat-supply-store.com/shop/index.php?page=shop-flypage-38630>;
retrieved Oct. 11, 2010, 3 pages.
A New Racket For Tennis Balls; Pet Product News; vol. 53, No. 11,
Oct. 1999, 2 pages.
Kong Rocket product, based on information and belief available at
least as early as Oct. 2010—BCxFour: Ranger Reviews the Kong
Rocket; www.bcxfour.com/2010/07/ranger-reviews-kong-rocket.html;
retrieved Apr. 20, 2012, 11 pages.

* cited by examiner

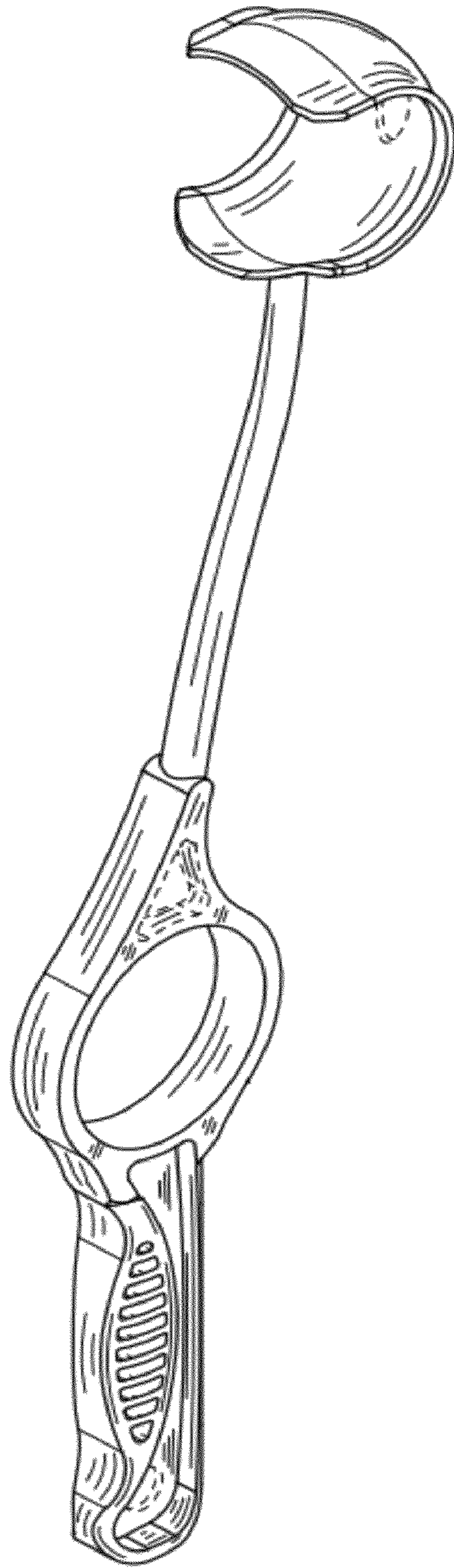


Fig. 1

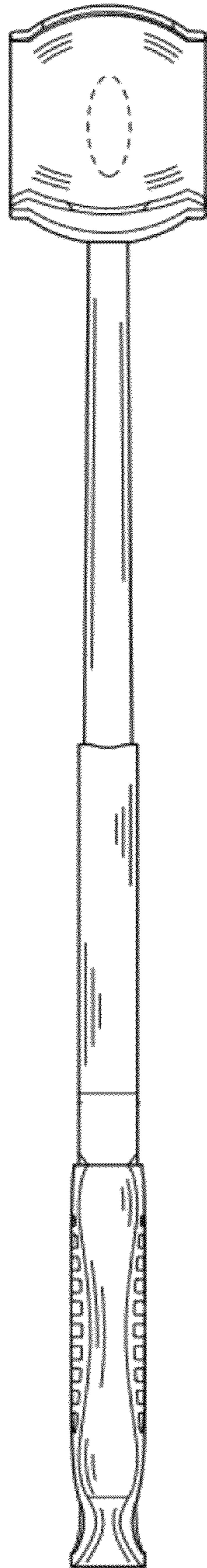


Fig. 2

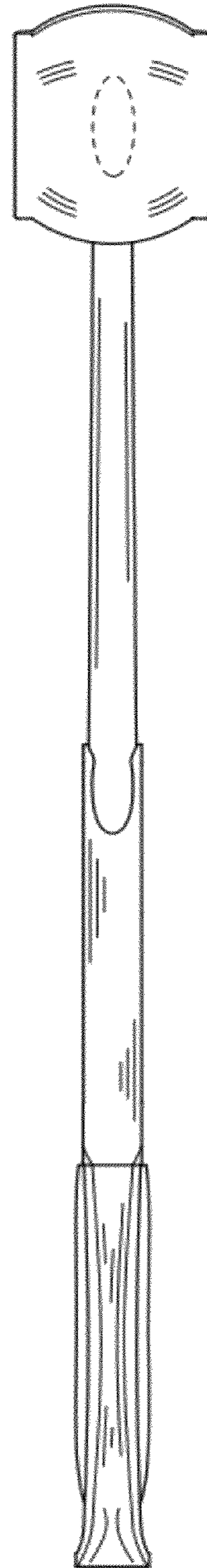


Fig. 3

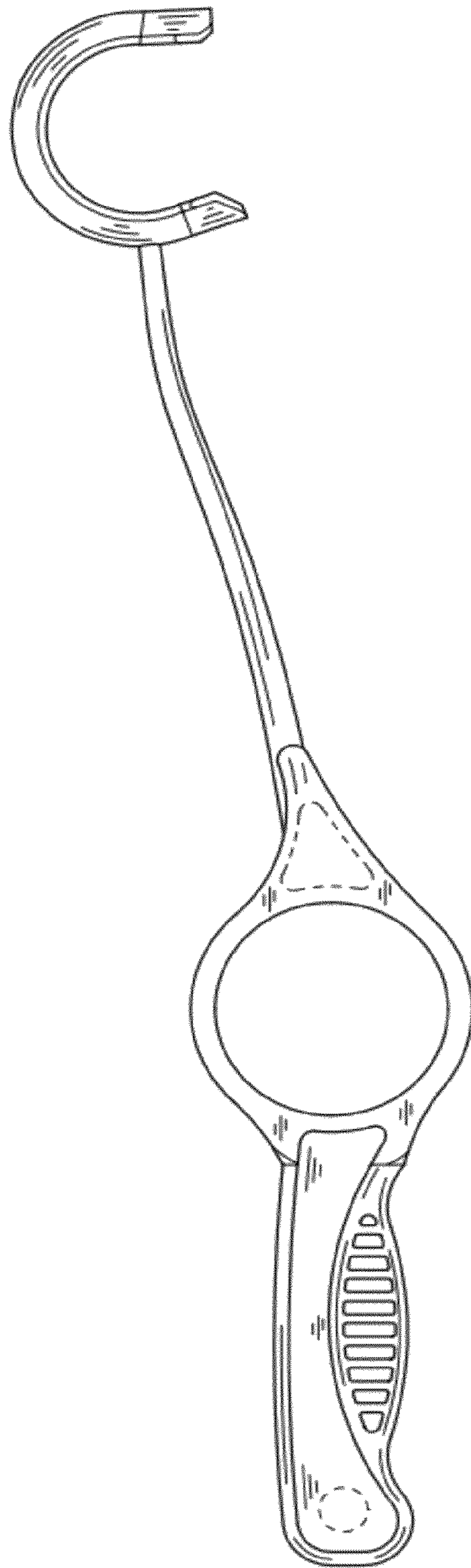


Fig. 4

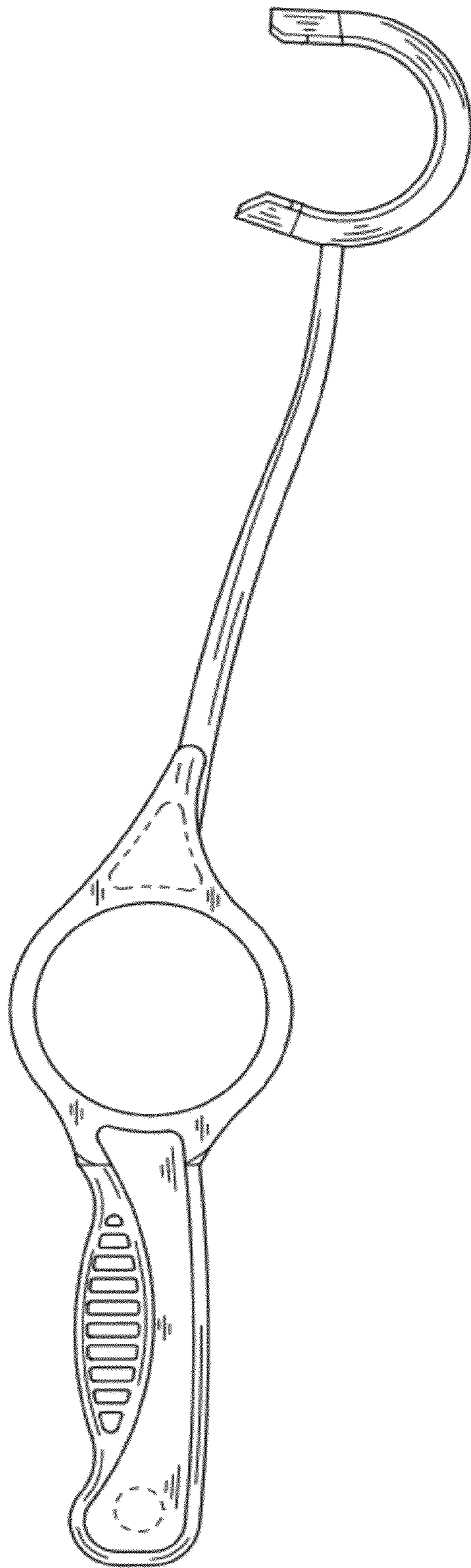


Fig. 5

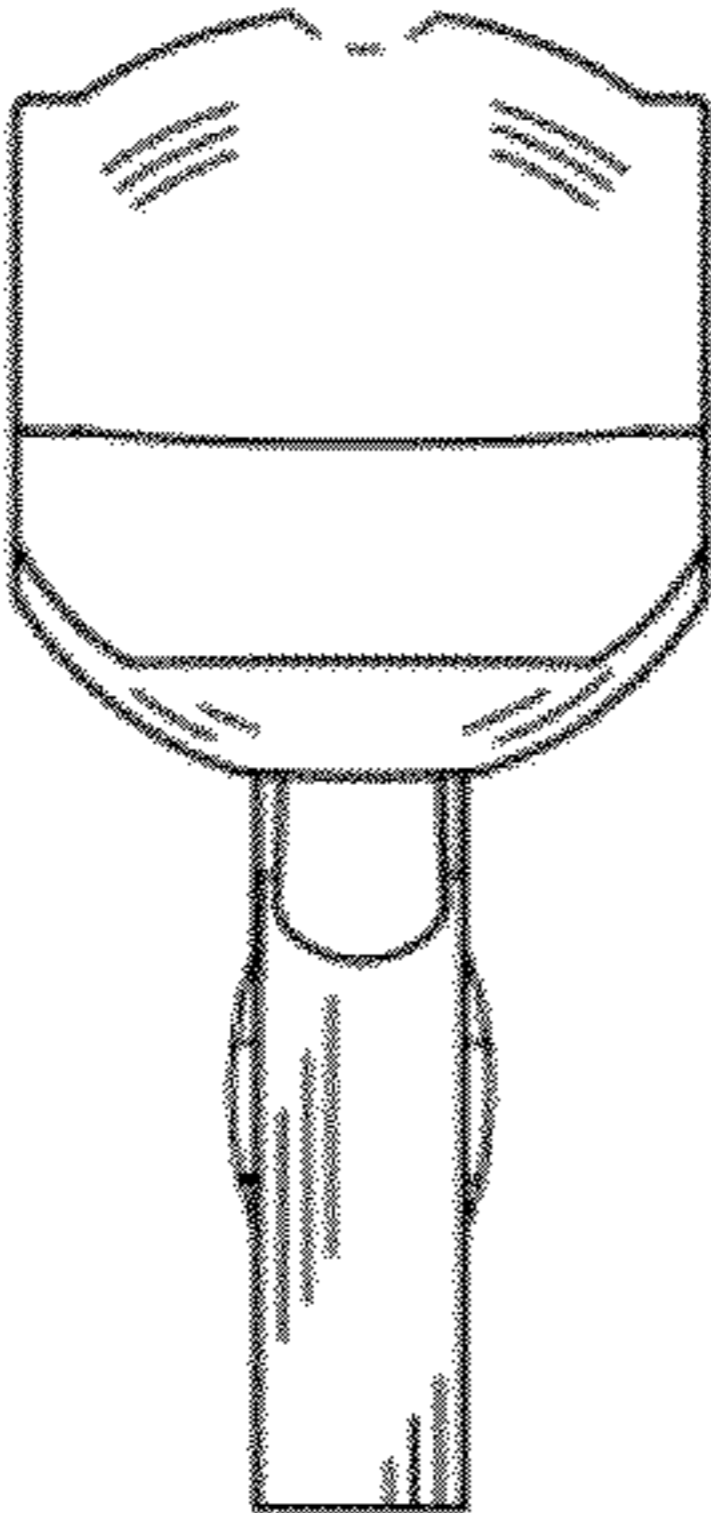


Fig. 6

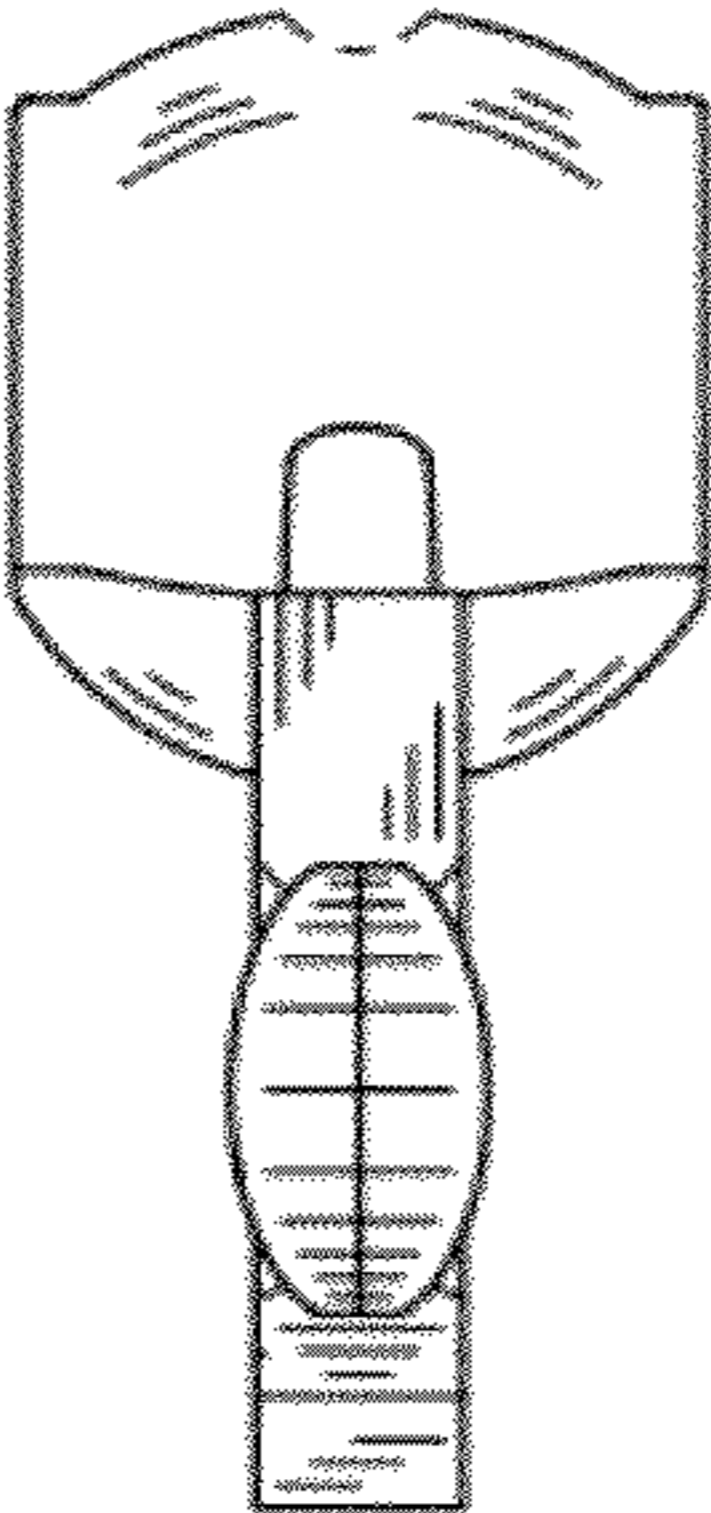


Fig. 7