



US00D674849S

(12) **United States Design Patent**  
**Wilson**

(10) **Patent No.:** **US D674,849 S**  
(45) **Date of Patent:** **\*\* Jan. 22, 2013**

(54) **SQUIRT GUN**  
(76) Inventor: **Kyle S. Wilson**, Sandy, UT (US)  
(\*\*) Term: **14 Years**  
(21) Appl. No.: **29/415,133**  
(22) Filed: **Mar. 7, 2012**

3,919,799 A \* 11/1975 Austin et al. .... D21/573  
D261,786 S \* 11/1981 Steinberg ..... D21/574  
D302,848 S \* 8/1989 Kao ..... D23/226  
D309,759 S \* 8/1990 Mak ..... D21/401  
D358,178 S \* 5/1995 O'Dell ..... D21/385  
D477,642 S \* 7/2003 Byrd ..... D21/574  
D488,521 S \* 4/2004 Byrd ..... D21/574  
D522,070 S \* 5/2006 Hunter et al. .... D21/570  
D617,398 S \* 6/2010 Selevan ..... D21/572

\* cited by examiner

**Related U.S. Application Data**

(63) Continuation-in-part of application No. 29/395,174,  
filed on Dec. 12, 2011.  
(51) **LOC (9) Cl.** ..... **21-01**  
(52) **U.S. Cl.** ..... **D21/572**  
(58) **Field of Classification Search** ..... D21/401,  
D21/567, 575; D22/100, 103, 104, 105;  
D23/231; 446/175, 176, 180, 473; 222/78,  
222/79; 239/211, 222.11, 237, 329, 373,  
239/525, 526; 124/63-65, 69, 73-75  
See application file for complete search history.

*Primary Examiner* — Cynthia M Chin  
(74) *Attorney, Agent, or Firm* — Bateman IP

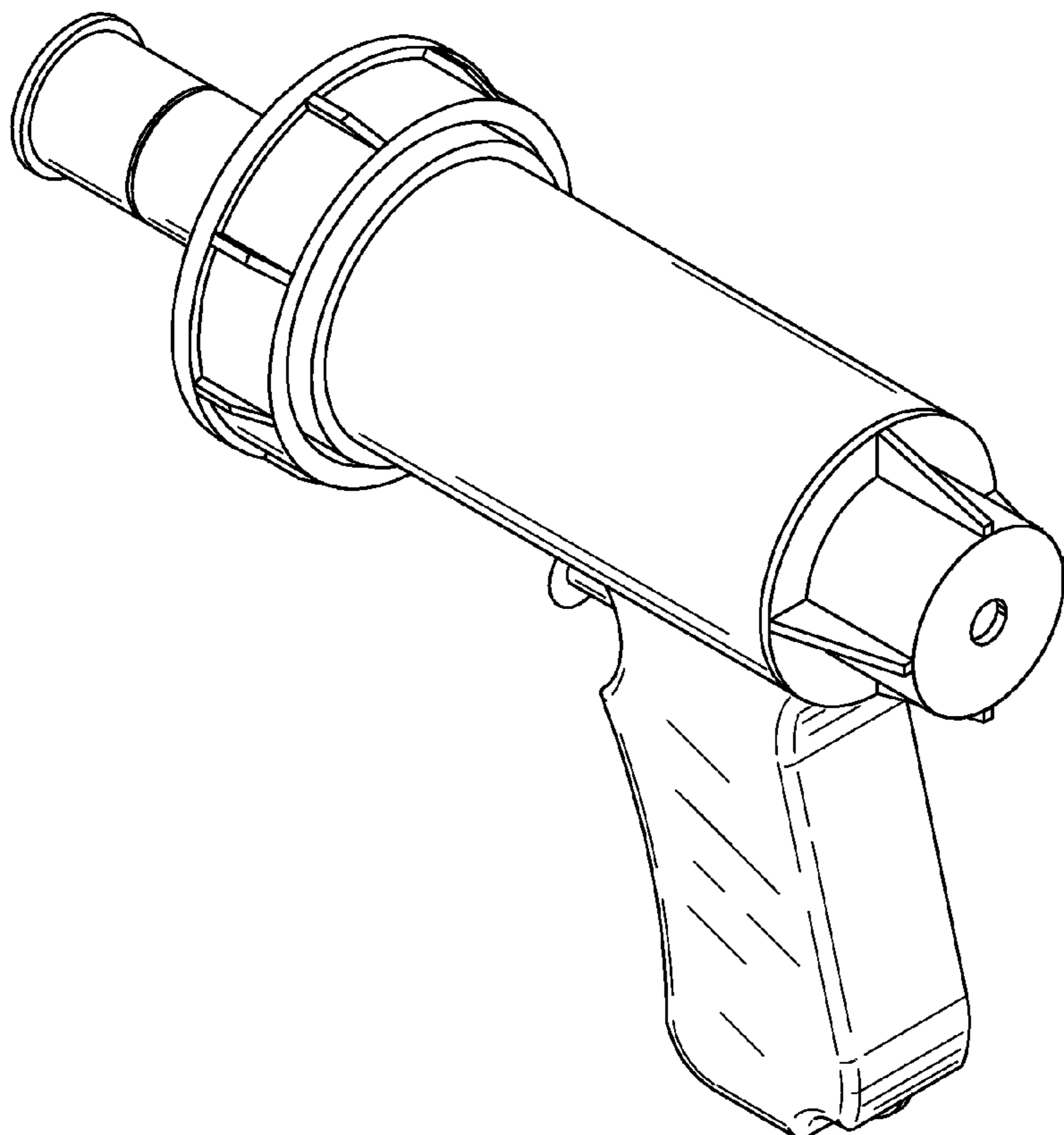
(57) **CLAIM**  
The ornamental design for a squirt gun, as shown and  
described.

**DESCRIPTION**

FIG. 1 shows a perspective view of a squirt gun of the present  
invention;  
FIG. 2 shows a left side view of the squirt gun of FIG. 1;  
FIG. 3 shows a right side view of the squirt gun of FIG. 1;  
FIG. 4 shows a top view of the squirt gun of FIG. 1;  
FIG. 5 shows a bottom view of the squirt gun of FIG. 1;  
FIG. 6 shows a front view of the squirt gun of FIG. 1; and,  
FIG. 7 shows a back view of the squirt gun of FIG. 1.

(56) **References Cited**  
**U.S. PATENT DOCUMENTS**  
D164,657 S \* 9/1951 Tovel ..... D21/574  
D169,440 S \* 4/1953 Hirsch ..... D21/574  
D192,474 S \* 3/1962 Benkoe ..... D21/574

**1 Claim, 4 Drawing Sheets**



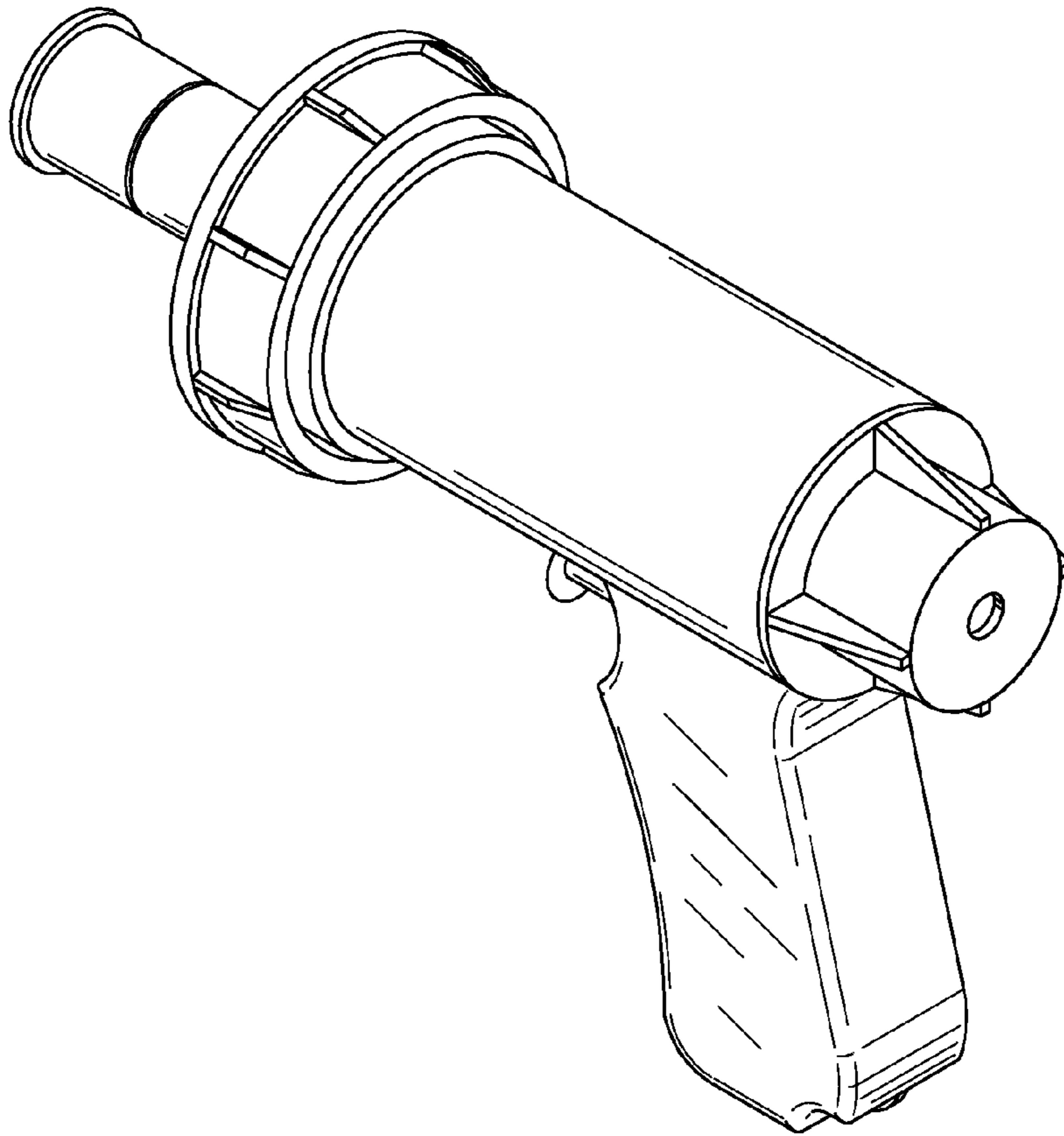


FIG. 1

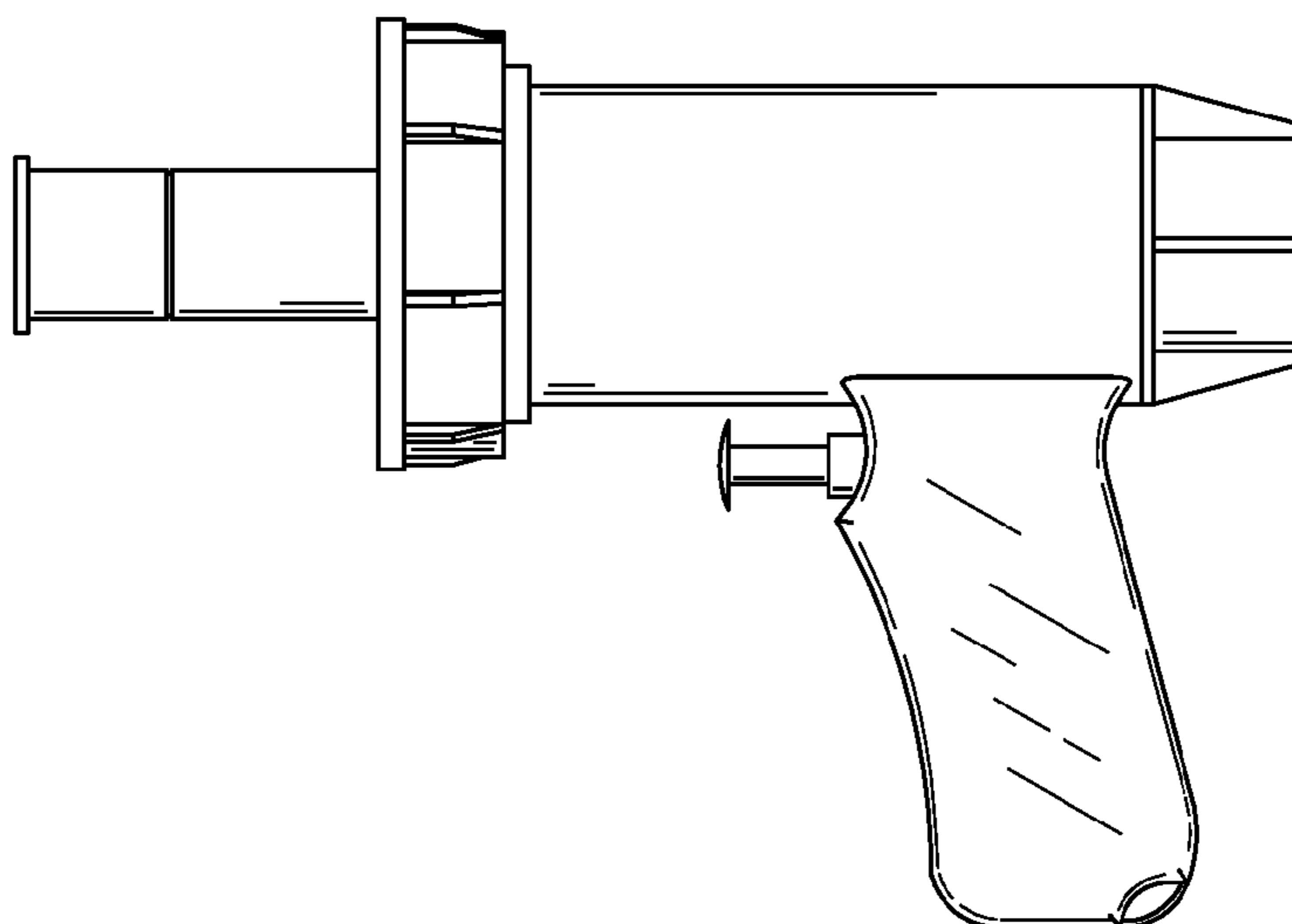


FIG. 2

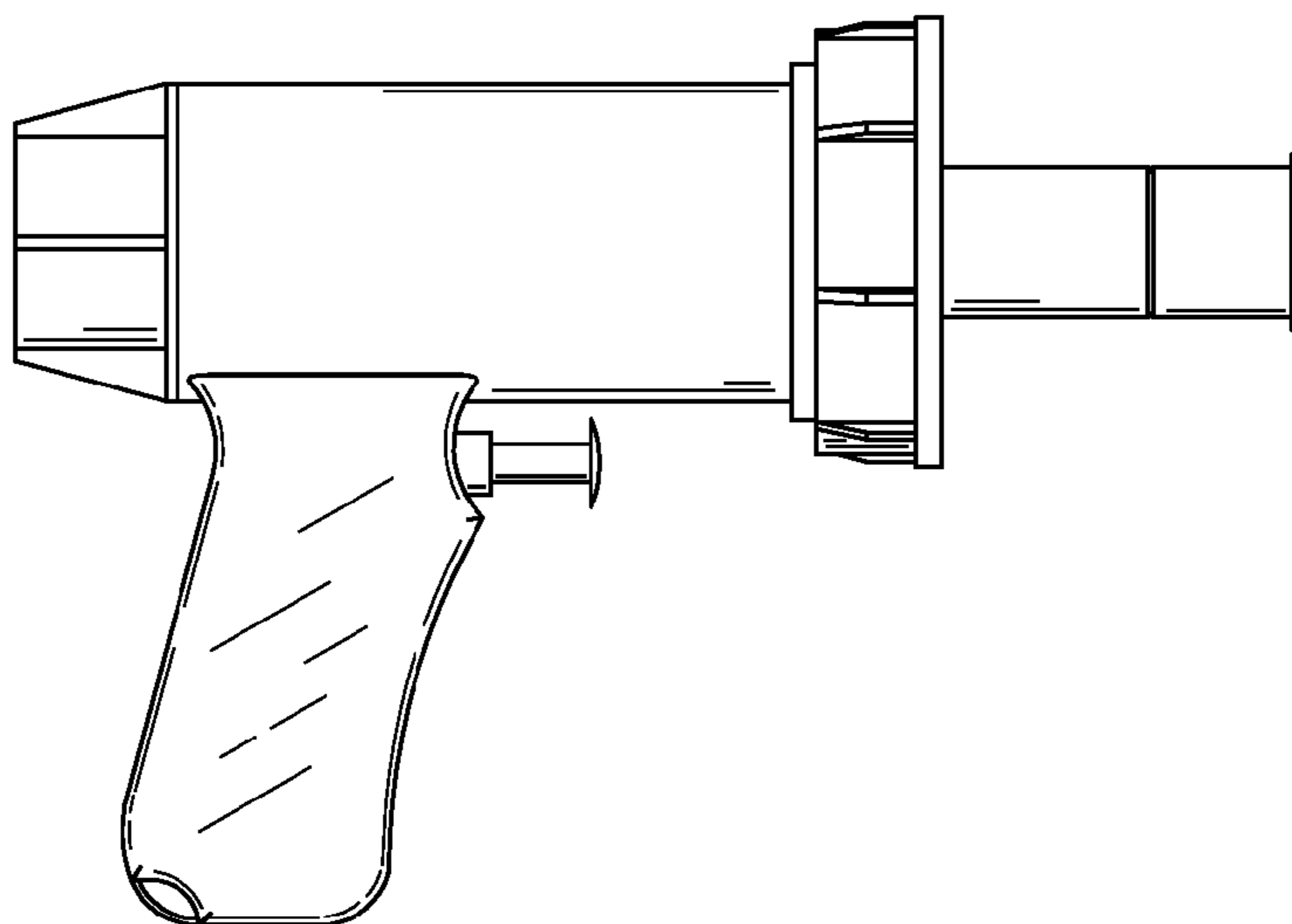


FIG. 3

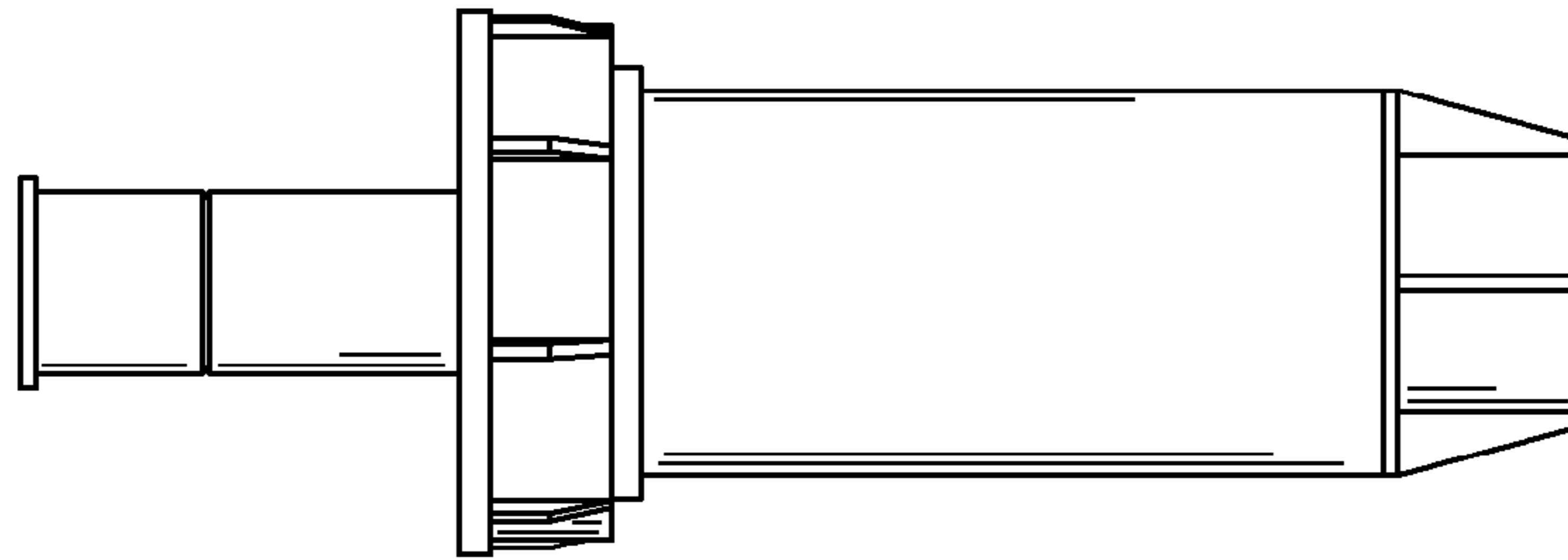


FIG. 4

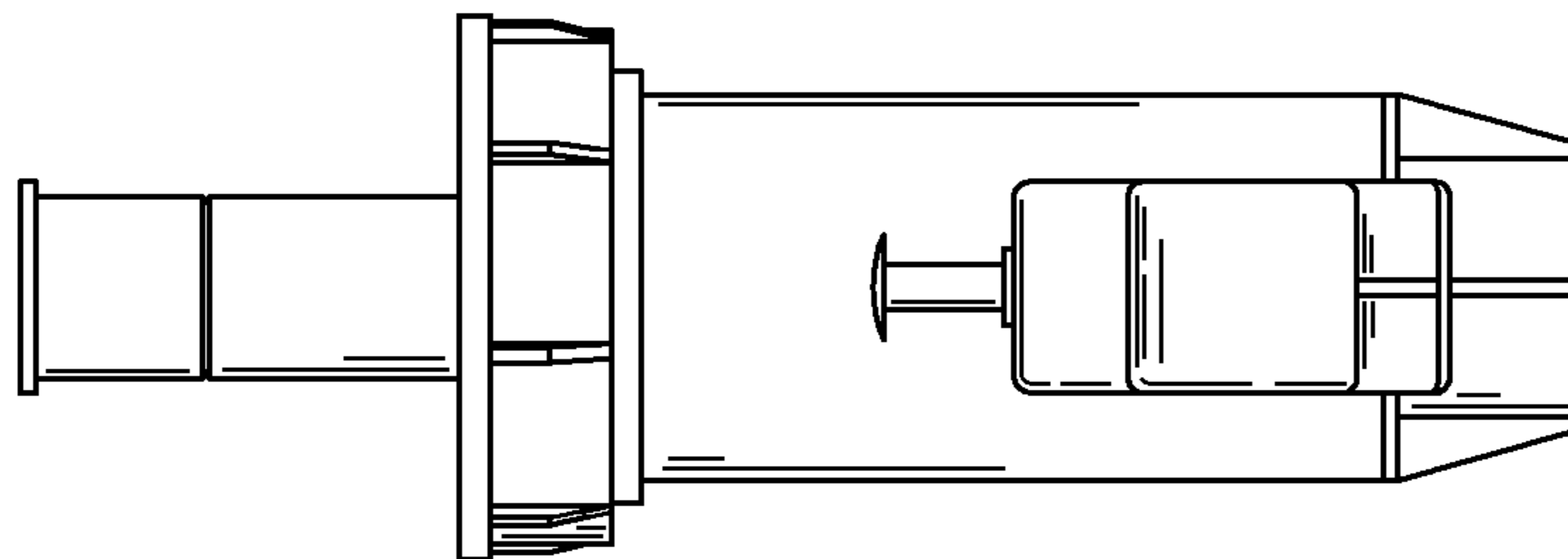


FIG. 5

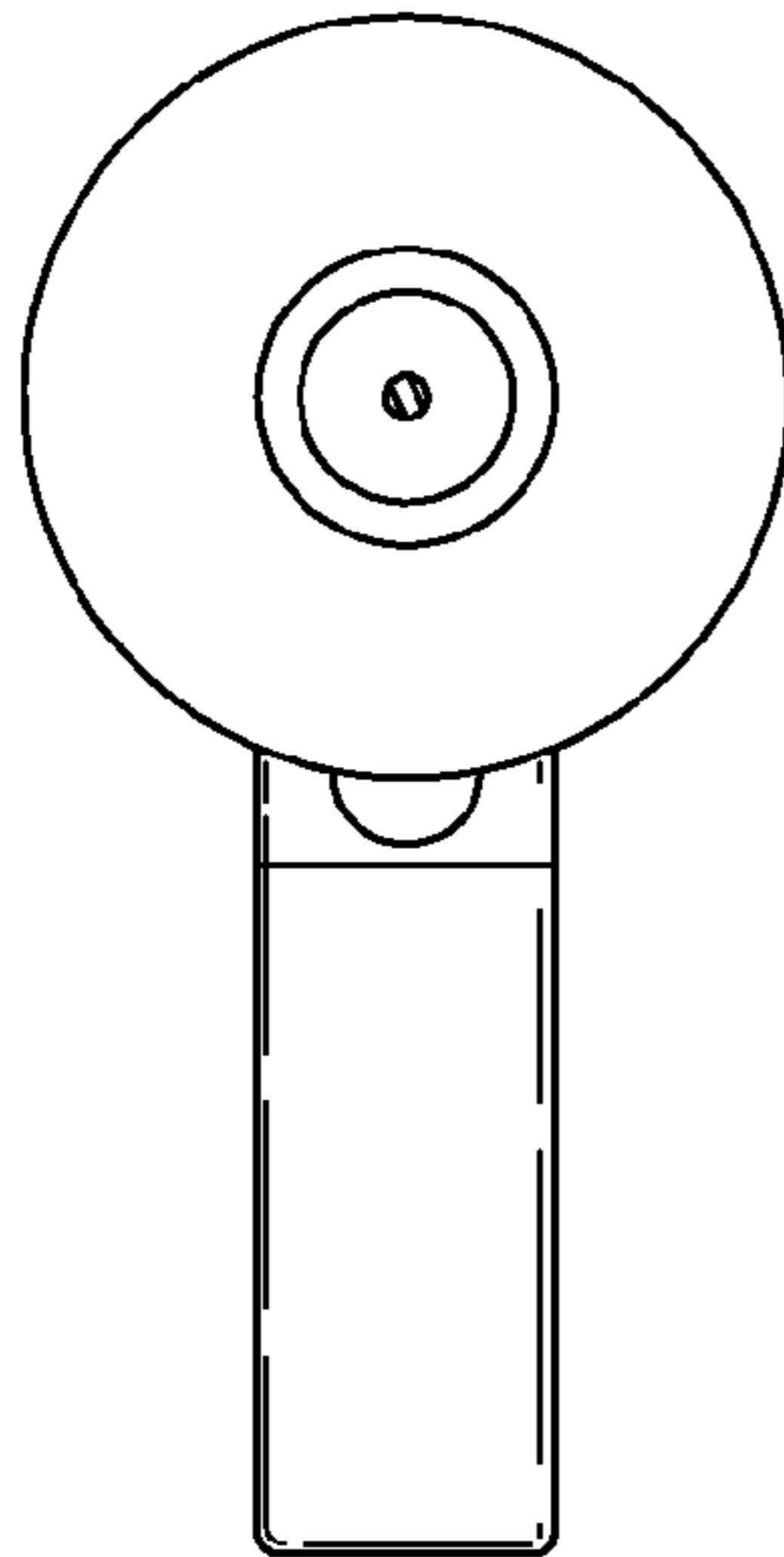


FIG. 6

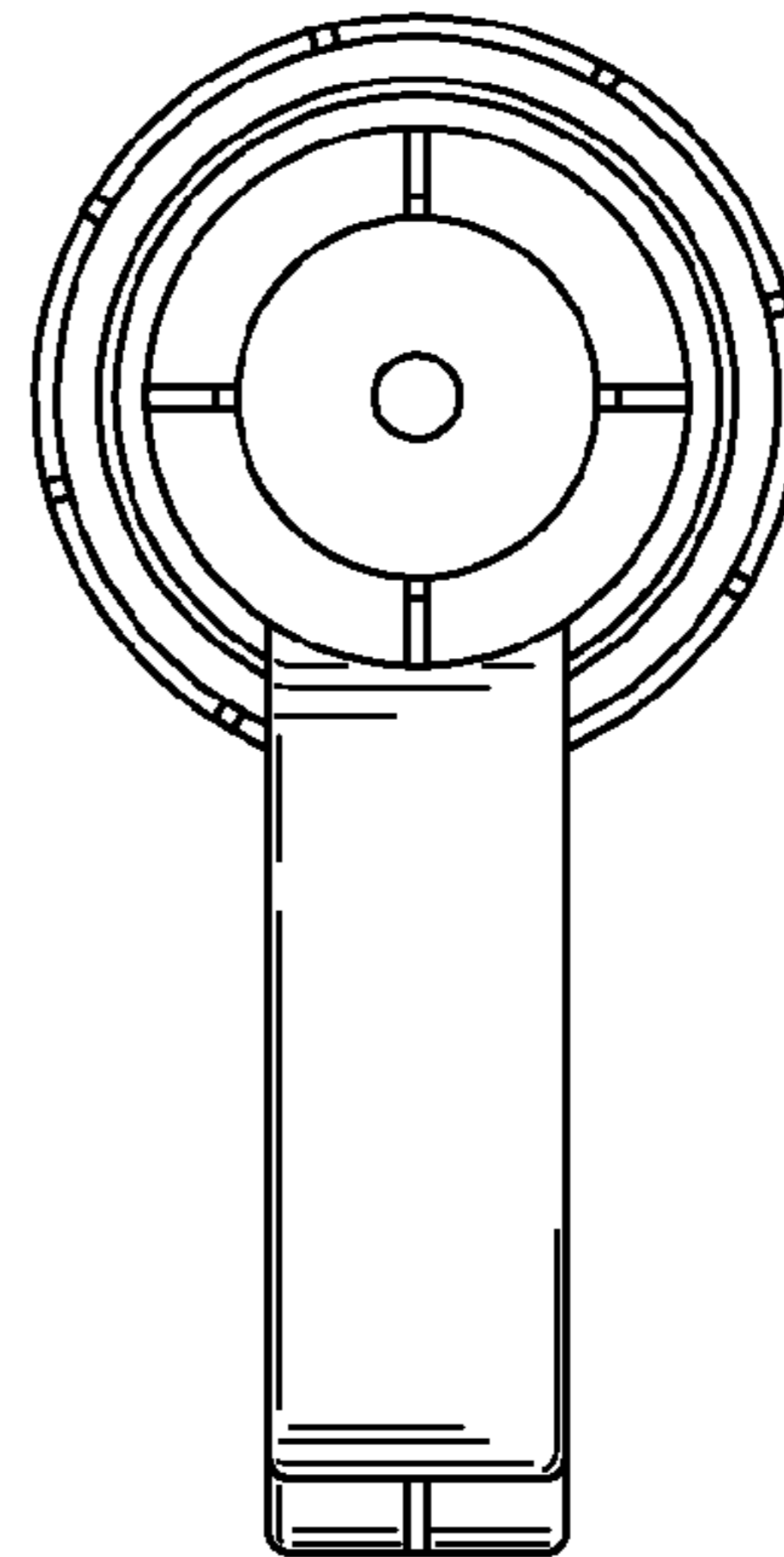


FIG. 7