



US00D674839S

(12) **United States Design Patent**
Sakano et al.

(10) **Patent No.:** **US D674,839 S**
(45) **Date of Patent:** **** Jan. 22, 2013**

(54) **INK RIBBON CARTRIDGE**

(75) Inventors: **Hideki Sakano**, Matsumoto (JP); **Taishi Sasaki**, Shiojiri (JP); **Hiroaki Tanaka**, Tokyo (JP)

(73) Assignee: **Seiko Epson Corporation**, Tokyo (JP)

(**) Term: **14 Years**

(21) Appl. No.: **29/409,658**

(22) Filed: **Dec. 27, 2011**

(30) **Foreign Application Priority Data**

Jun. 30, 2011 (JP) 2011-014932

(51) **LOC (9) Cl.** **18-02**

(52) **U.S. Cl.** **D18/56**

(58) **Field of Classification Search** 347/214,
347/86-67; 400/196, 196.1, 207-208, 208.1,
400/242; D18/12, 40, 43, 56

See application file for complete search history.

(56) **References Cited**

U.S. PATENT DOCUMENTS

5,352,048	A *	10/1994	Mizoguchi et al.	400/207
5,769,547	A *	6/1998	Igarashi	400/208
D420,696	S *	2/2000	Yung et al.	D18/12
D425,545	S *	5/2000	Ishida	D18/12
D446,239	S *	8/2001	Funaki	D18/12

D458,956	S *	6/2002	Neri et al.	D18/12
6,504,564	B1 *	1/2003	Funaki et al.	400/207
D505,445	S *	5/2005	Neri	D18/12
D531,657	S *	11/2006	Yamamoto et al.	D18/12
7,151,555	B2 *	12/2006	Kaida et al.	347/214
D545,883	S *	7/2007	Yamamoto et al.	D18/12
7,594,770	B2 *	9/2009	Maruyama et al.	400/208
7,736,076	B2 *	6/2010	Motoki	400/208

* cited by examiner

Primary Examiner — Cathy A MacCormac

(57) **CLAIM**

The ornamental design for an ink ribbon cartridge, as shown.

DESCRIPTION

FIG. 1 is a front, top and right side perspective view of an ink ribbon cartridge showing our new design;
FIG. 2 is a rear, bottom and left side perspective view thereof;
FIG. 3 is a front view thereof;
FIG. 4 is a rear view thereof;
FIG. 5 is a top plan view thereof;
FIG. 6 is a bottom plan view thereof;
FIG. 7 is a right side view thereof; and,
FIG. 8 is a left side view thereof.

The features shown in broken lines in the drawings depict environmental subject matter only and form no part of the claimed design.

1 Claim, 6 Drawing Sheets

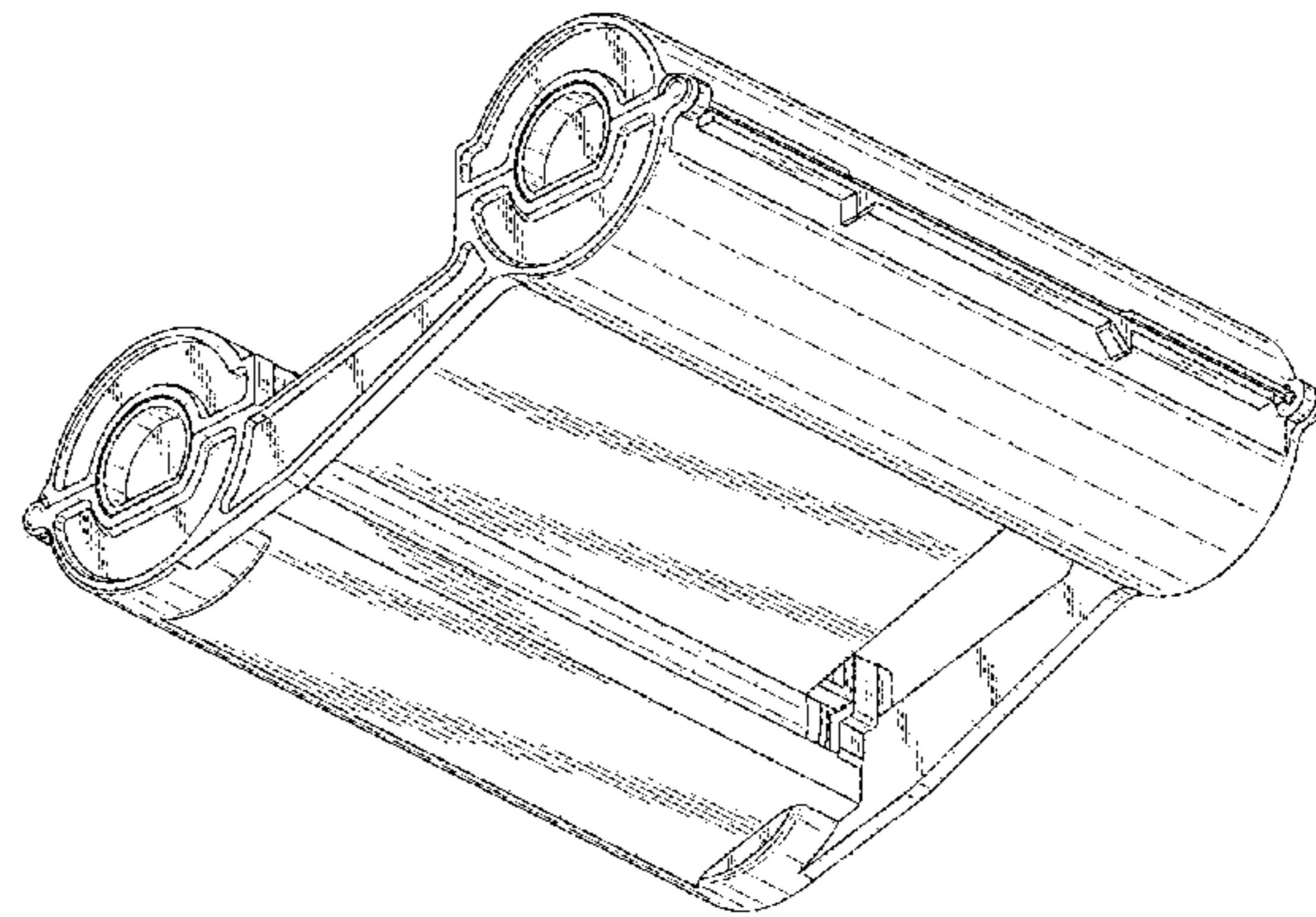
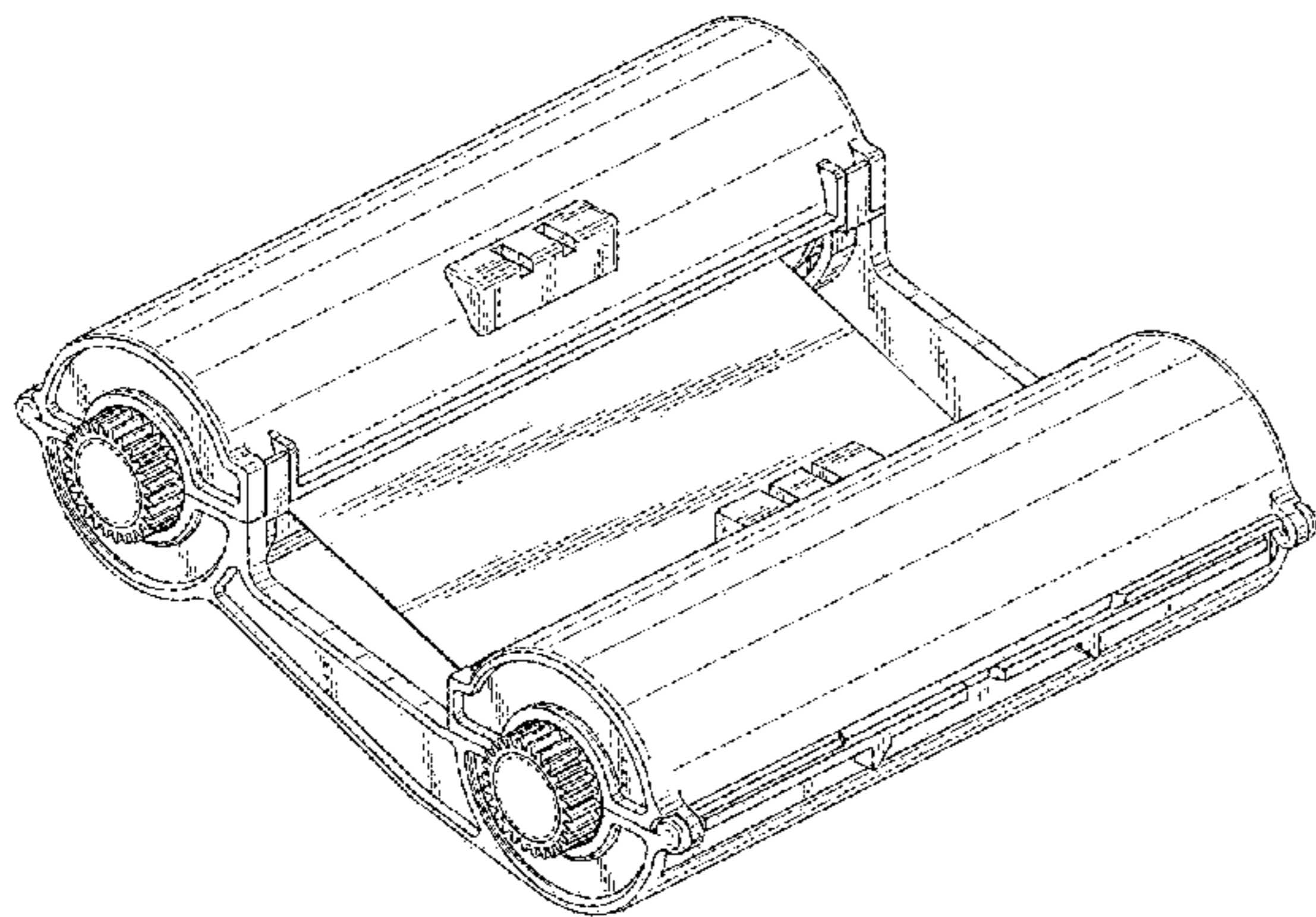


FIG. 1

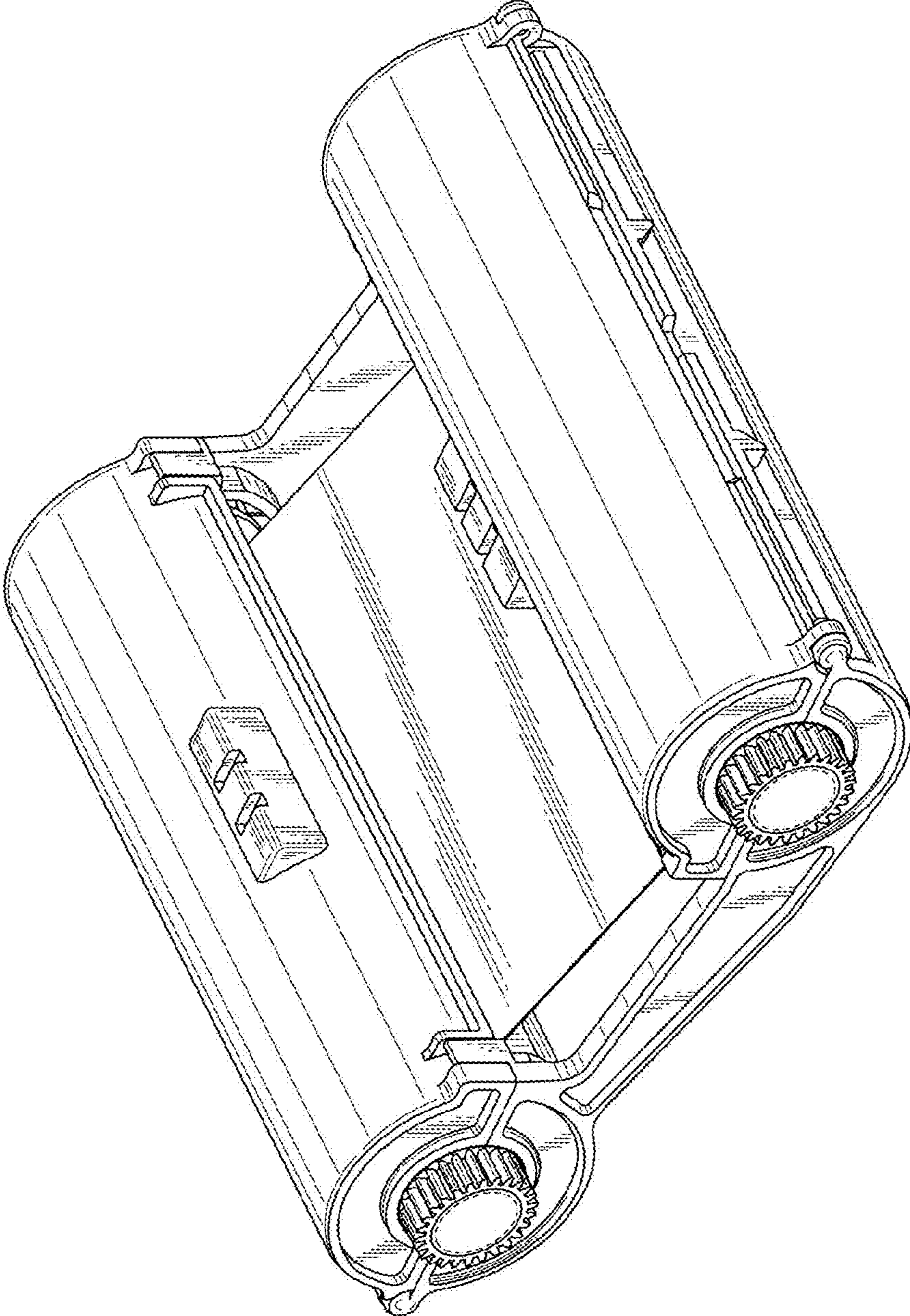


FIG. 2

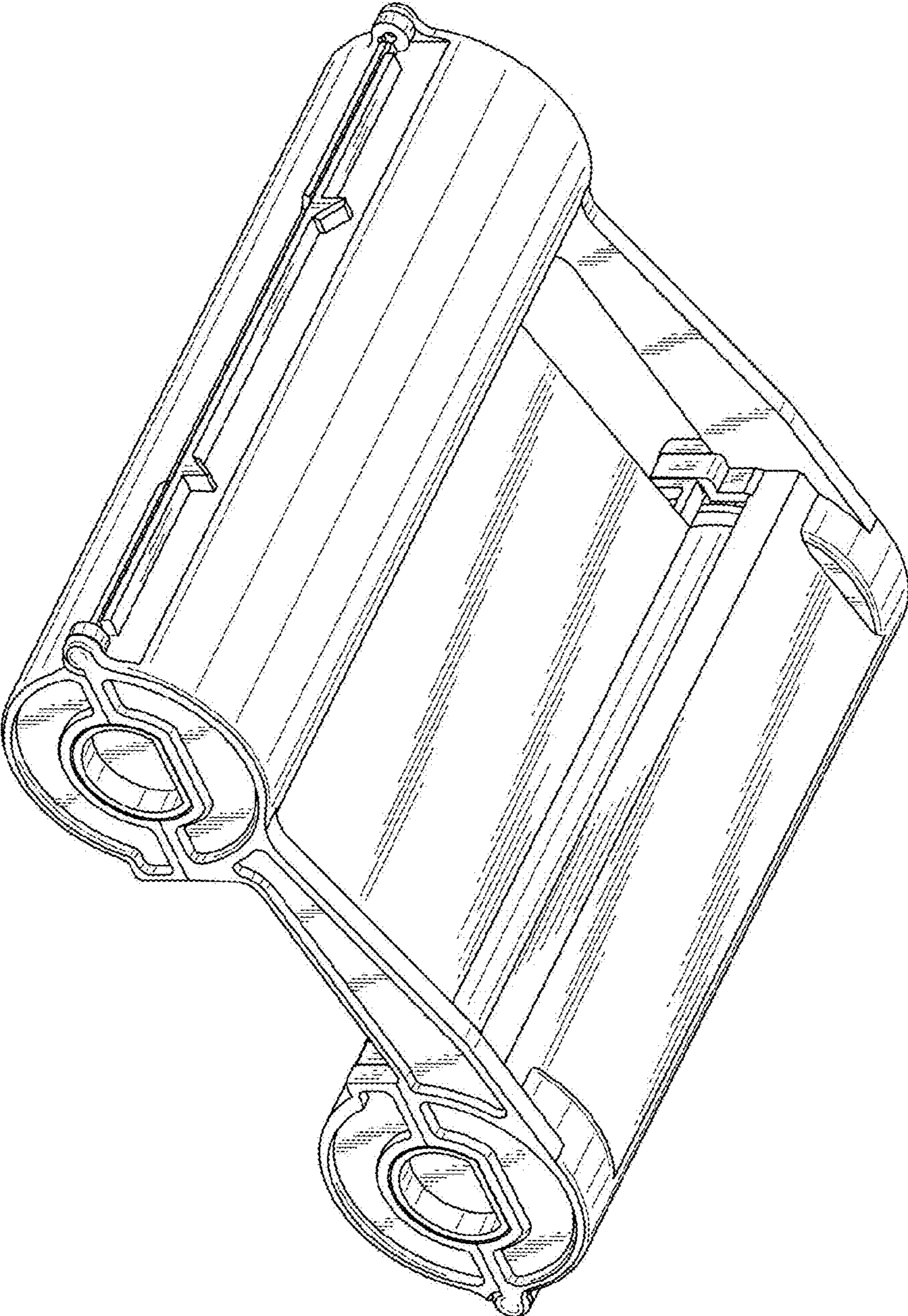


FIG. 3

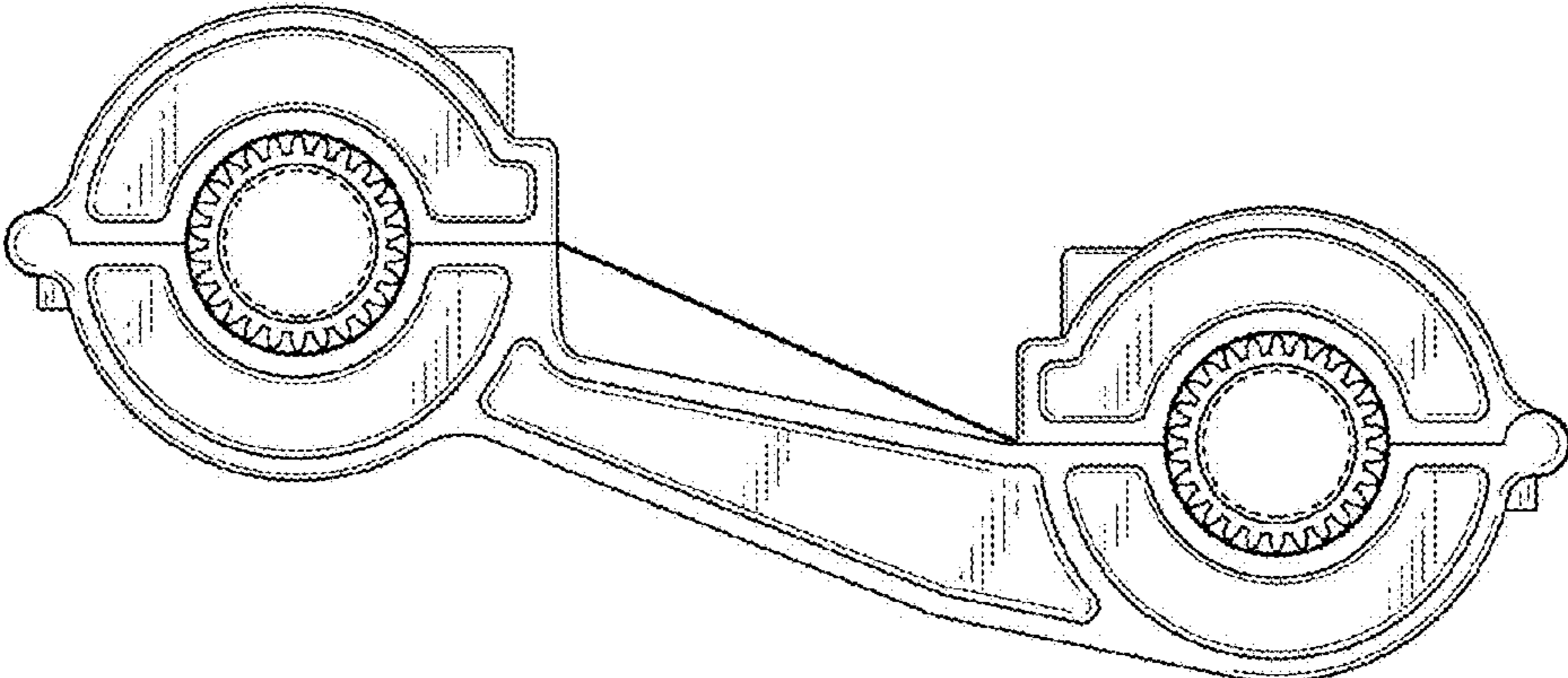


FIG. 4

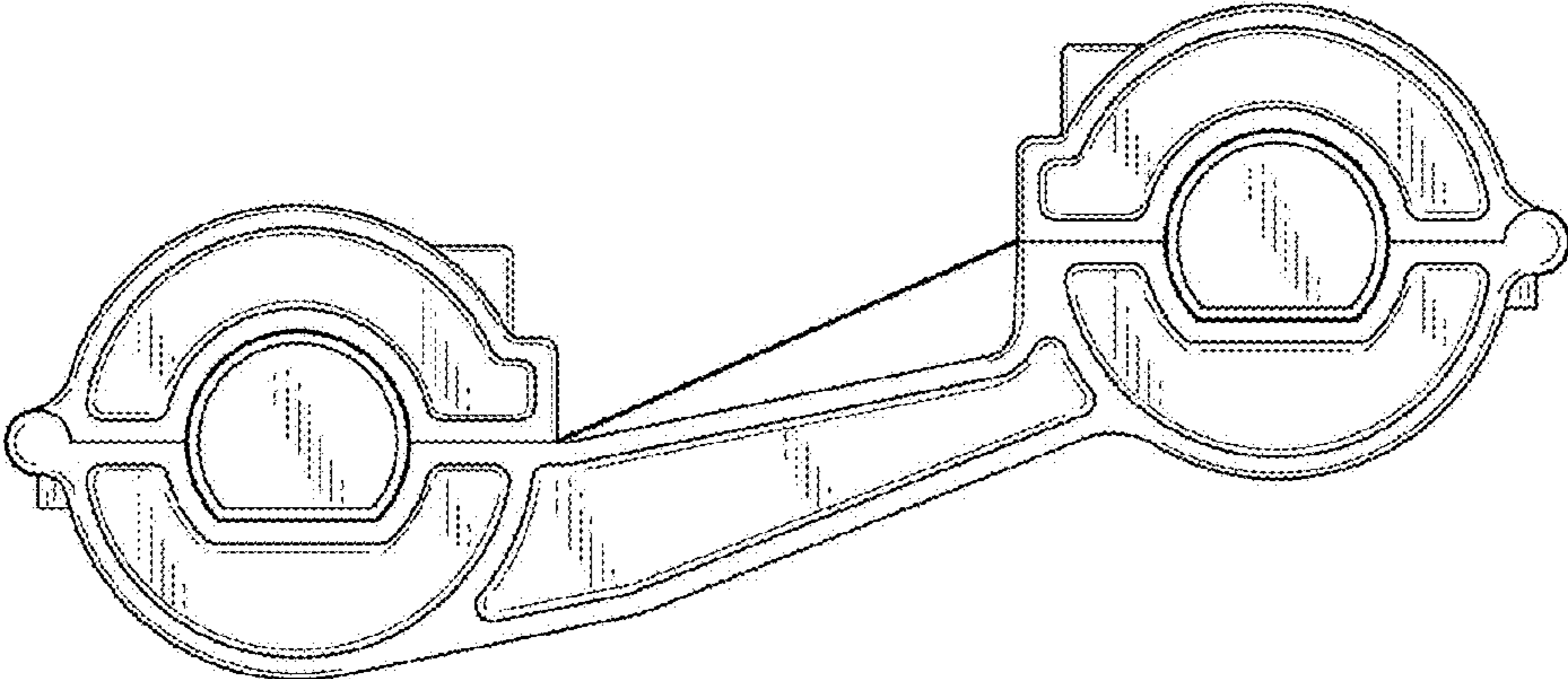


FIG. 5

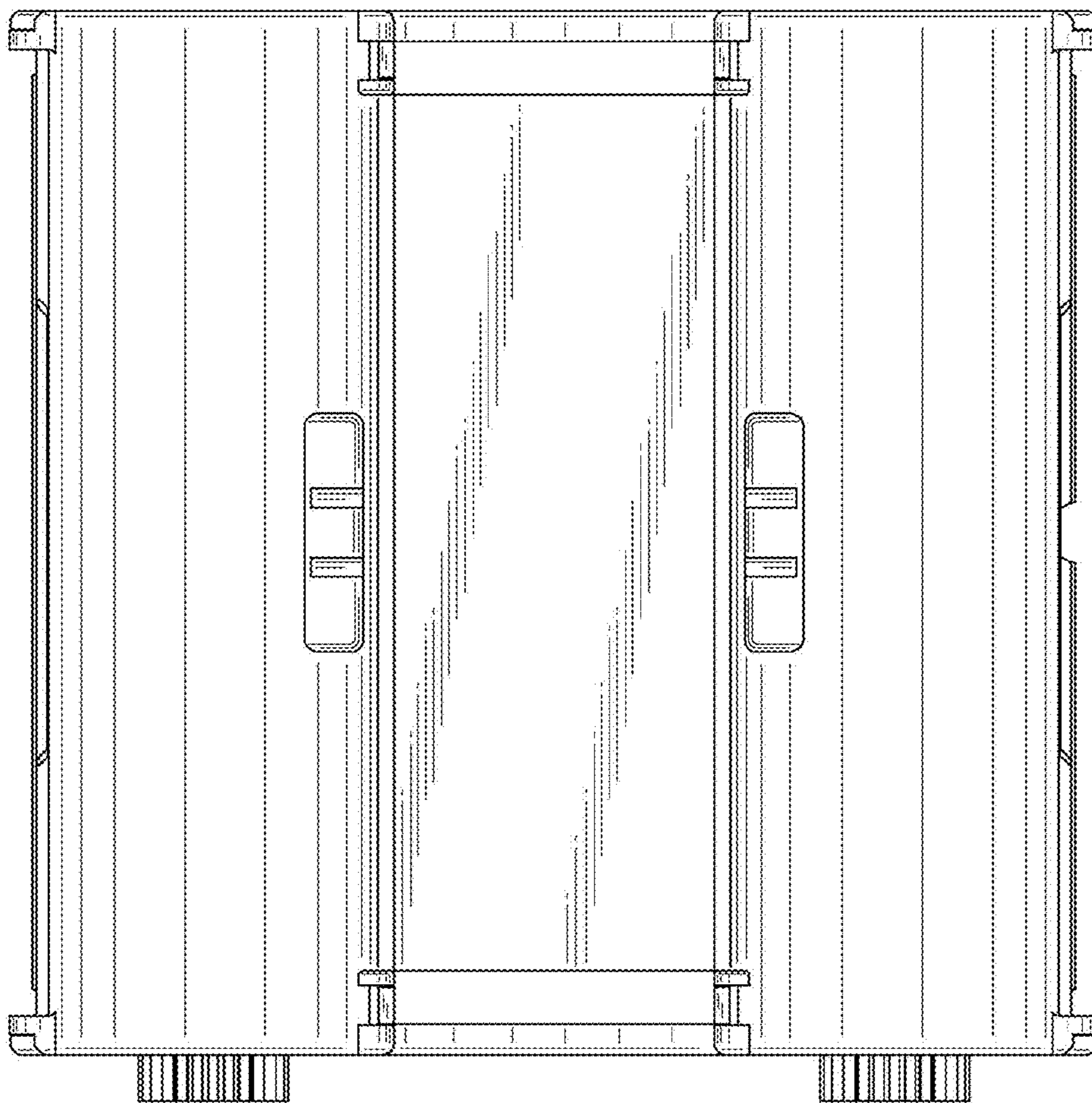


FIG. 6

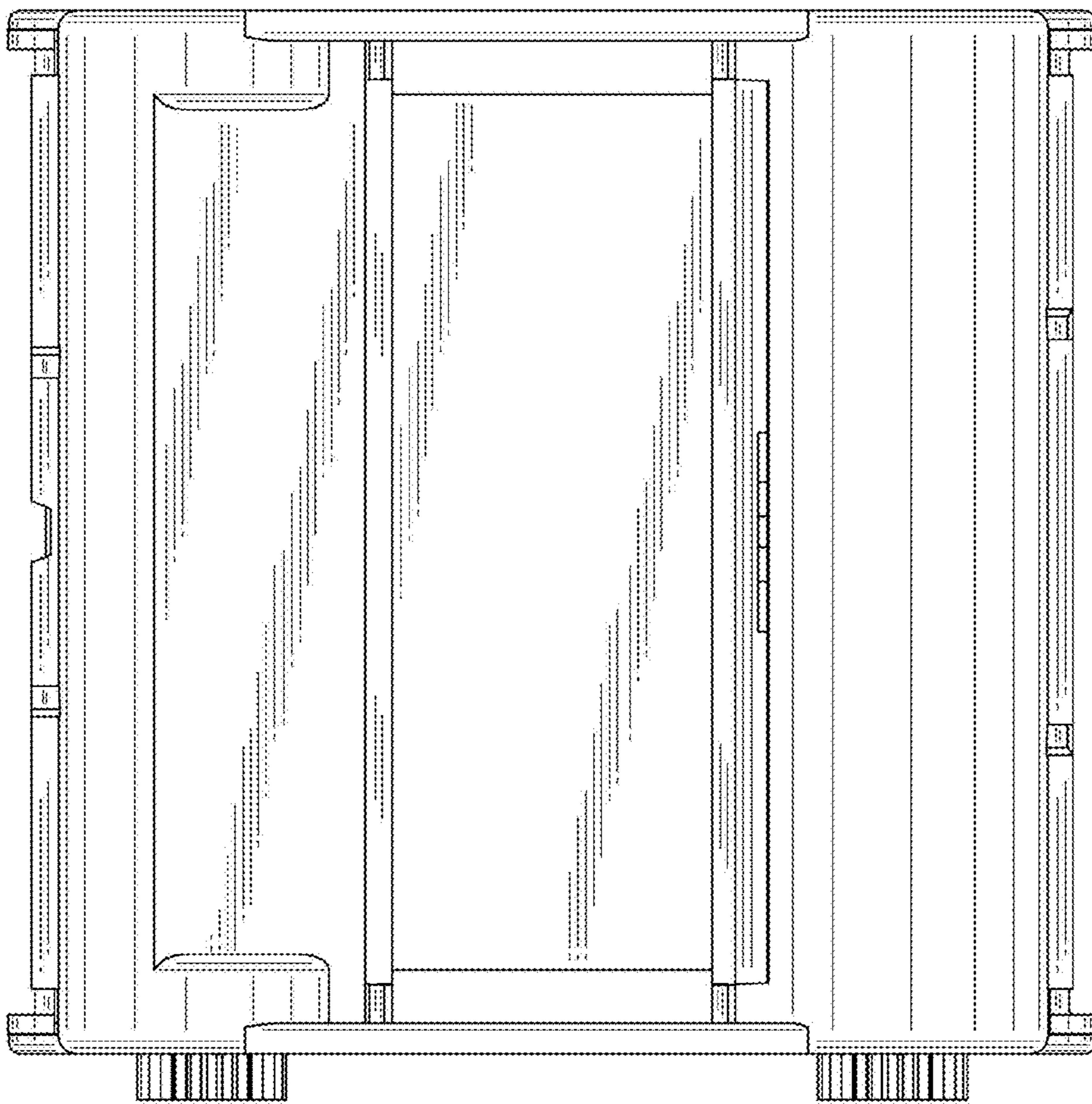


FIG. 7

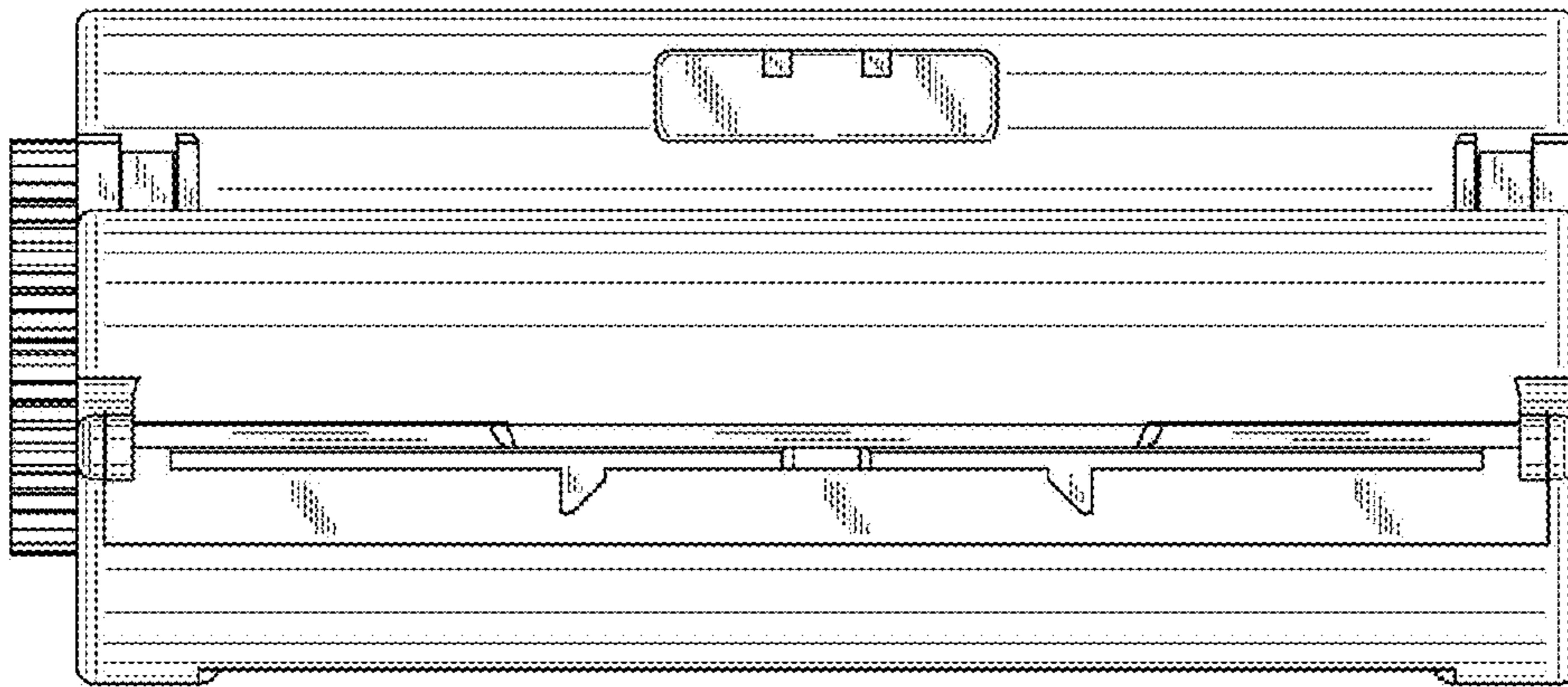


FIG. 8

