



US00D674833S

(12) **United States Design Patent**
Cuddeback

(10) **Patent No.:** **US D674,833 S**
(45) **Date of Patent:** **** Jan. 22, 2013**

(54) **MOTION DETECTOR CAMERA**

(75) Inventor: **Mark J Cuddeback**, Green Bay, WI (US)

(73) Assignee: **Non Typical, Inc.**, Green Bay, WI (US)

(**) Term: **14 Years**

(21) Appl. No.: **29/389,479**

(22) Filed: **Apr. 12, 2011**

(51) **LOC (9) Cl.** **16-01**

(52) **U.S. Cl.** **D16/218; D16/203**

(58) **Field of Classification Search** D16/200–204, D16/208, 218; 348/143, 164; 396/427, 535–541
See application file for complete search history.

(56) **References Cited**

U.S. PATENT DOCUMENTS

6,449,431	B1 *	9/2002	Cuddeback et al.	396/427
D472,258	S *	3/2003	Yin et al.	D16/218
6,623,182	B2	9/2003	Tatera	
6,768,868	B1 *	7/2004	Schnell	396/427
7,471,334	B1 *	12/2008	Stenger	348/373
7,534,056	B2 *	5/2009	Cross et al.	396/427
D616,009	S *	5/2010	Schnell	D16/218
7,771,131	B2	8/2010	Scott	
7,789,574	B2	9/2010	Broberg	

D628,224	S *	11/2010	Barley et al.	D16/218
D630,236	S *	1/2011	Lian	D16/203
D638,047	S *	5/2011	Lian	D16/203

* cited by examiner

Primary Examiner — Adir Aronovich

(74) *Attorney, Agent, or Firm* — Jansson Shupe & Munger Ltd.

(57) **CLAIM**

The ornamental design for a motion detector camera, as shown and described.

DESCRIPTION

FIG. 1 is a front elevational view of a motion detector camera showing my new design;

FIG. 2 is a front and right side perspective view of the camera of FIG. 1;

FIG. 3 is a rear and left perspective view of the camera of FIG. 1;

FIG. 4 is a rear elevational view of the camera of FIG. 1;

FIG. 5 is a right side elevational view of the camera of FIG. 1;

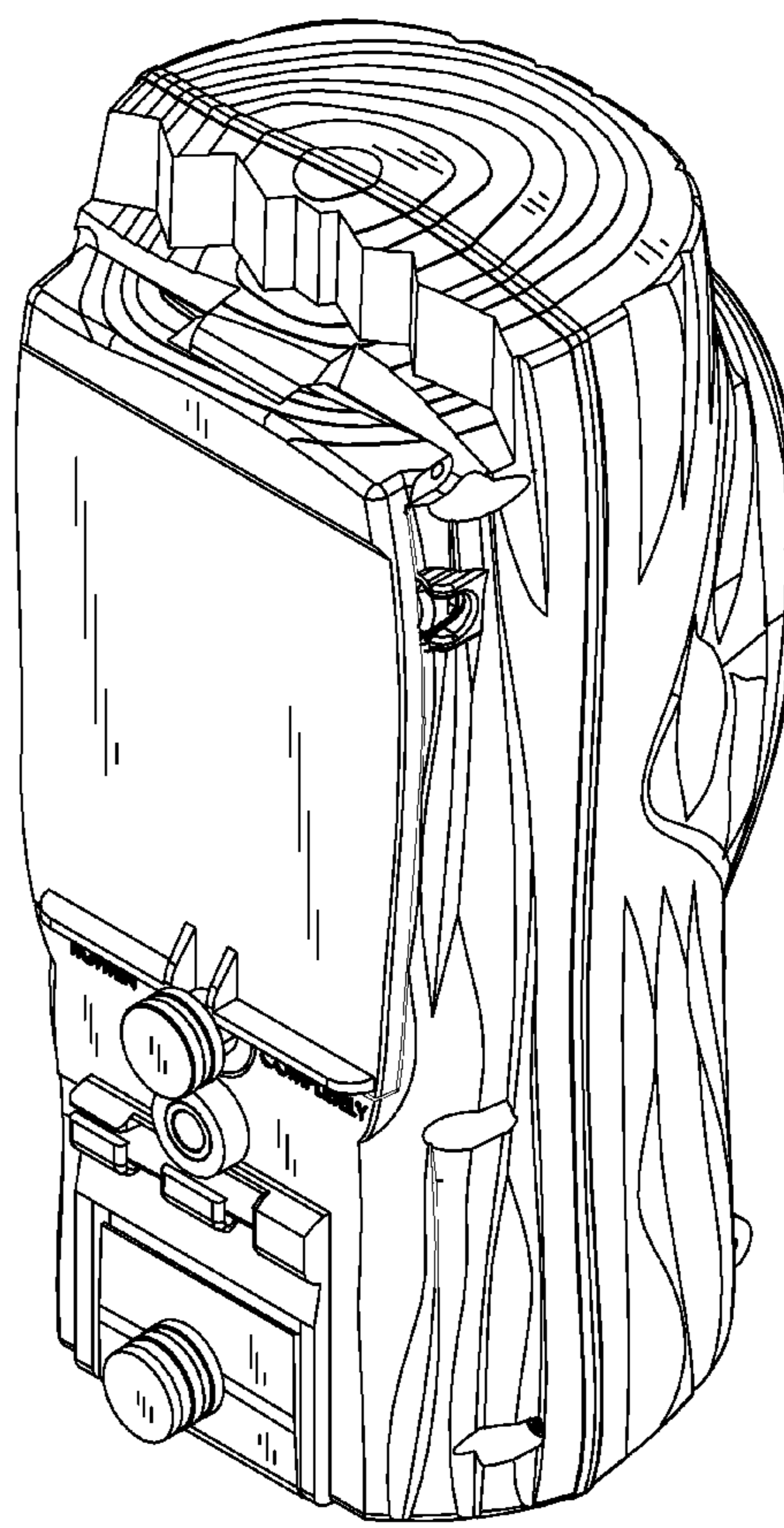
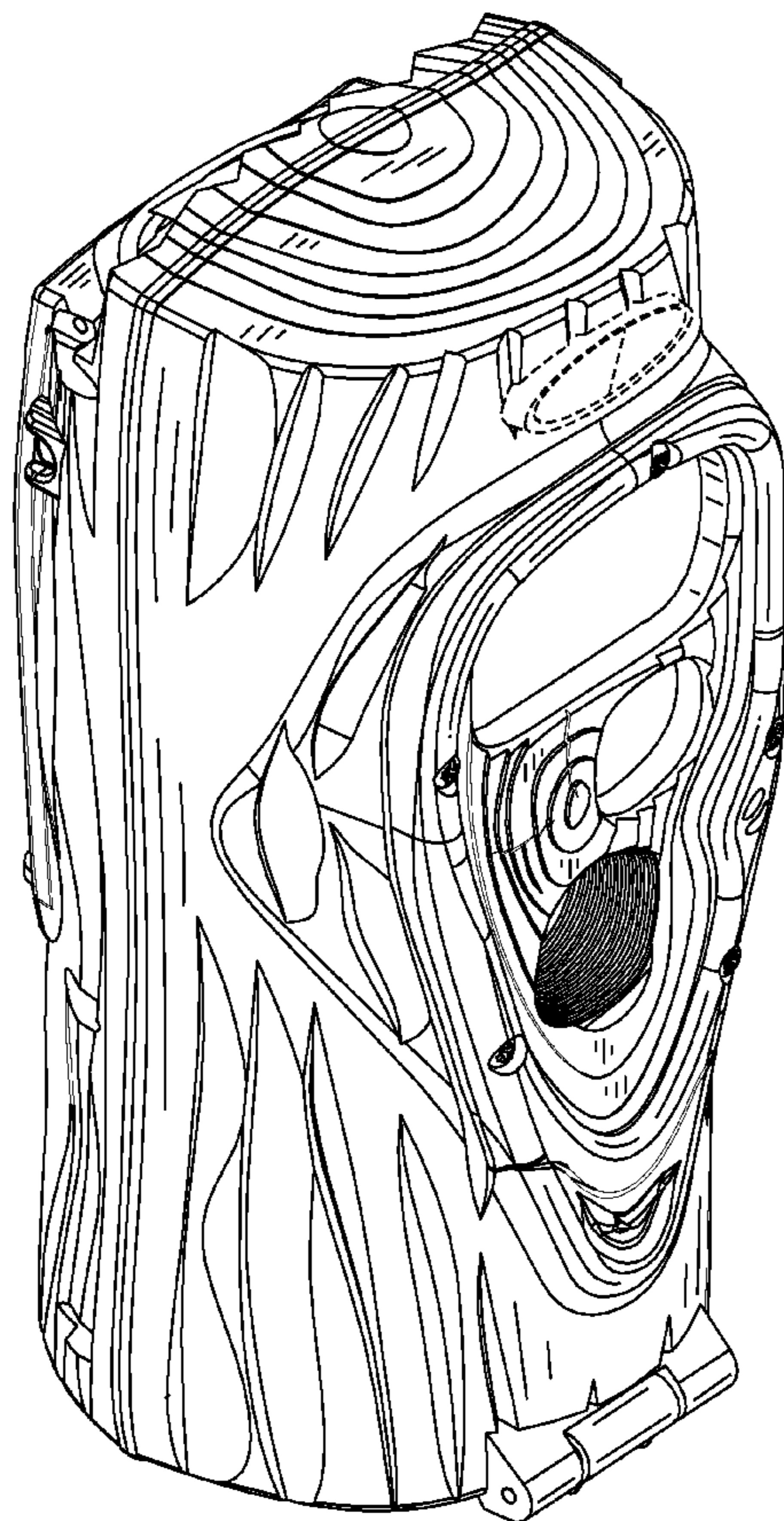
FIG. 6 is a left side elevational view of the camera of FIG. 1;

FIG. 7 is a top plan view of the camera of FIG. 1; and,

FIG. 8 is a bottom plan view of the camera of FIG. 1.

The dashed lines are provided for illustrative purposes only and form no part of the claimed design.

1 Claim, 8 Drawing Sheets



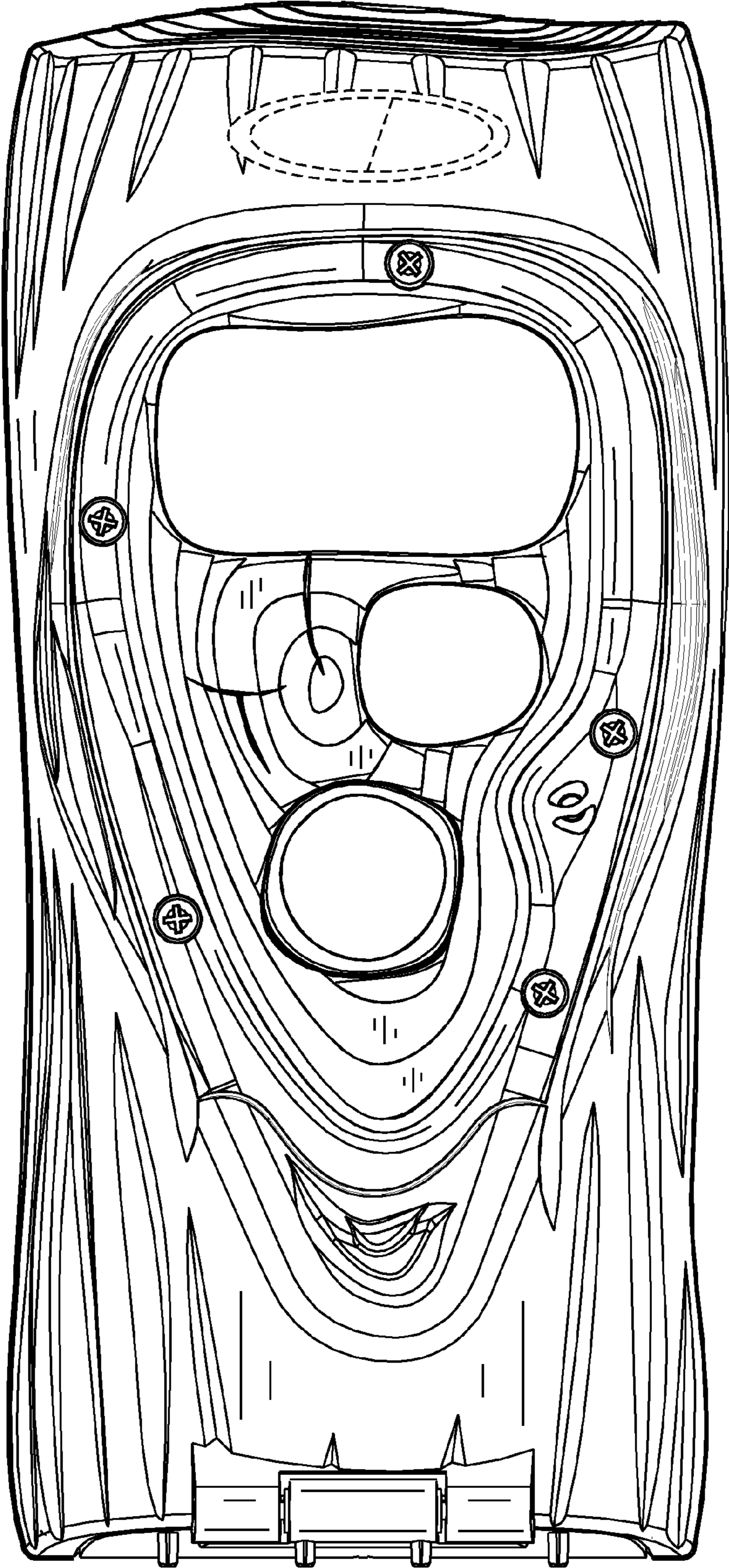


Figure 1

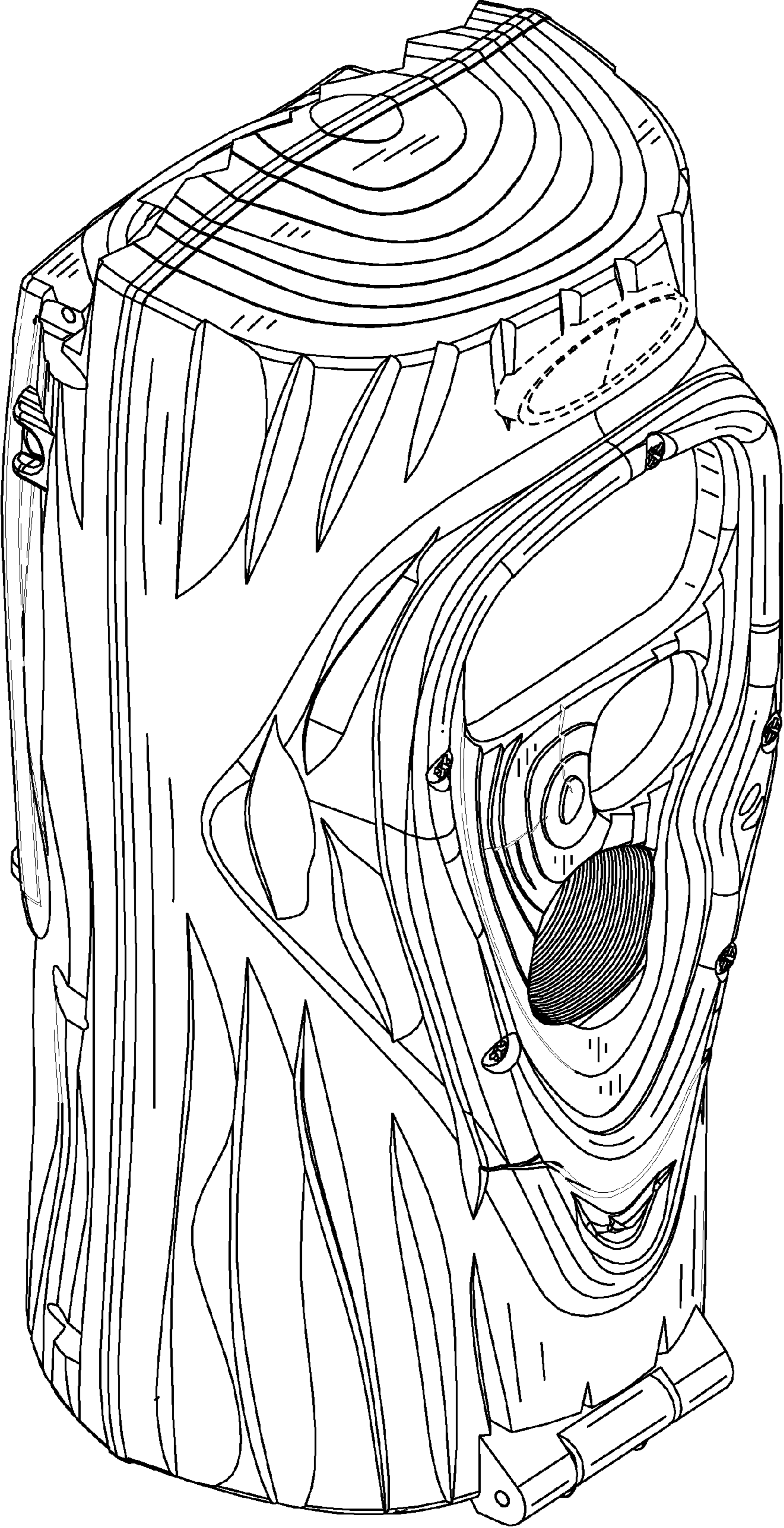


Figure 2

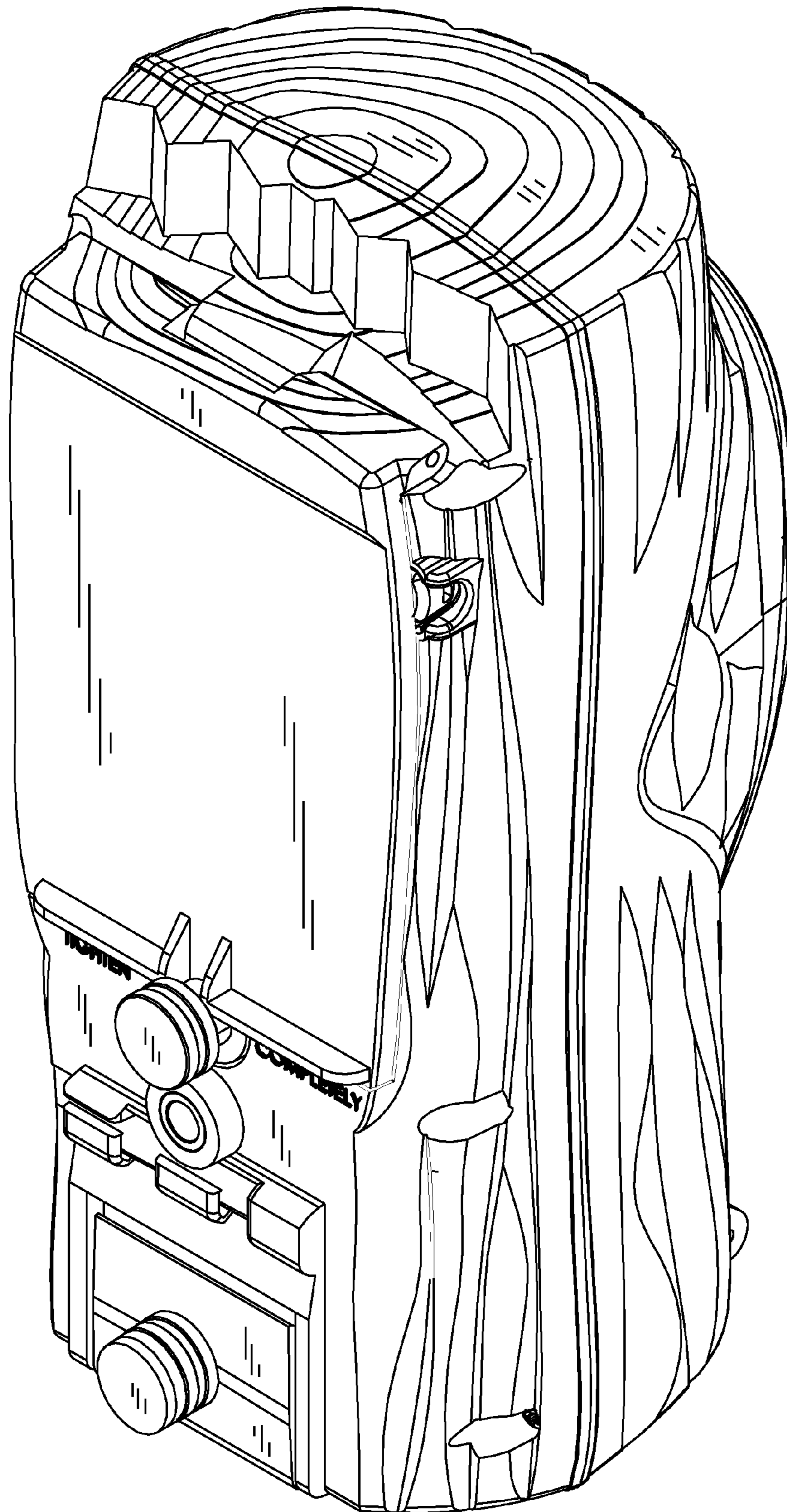


Figure 3

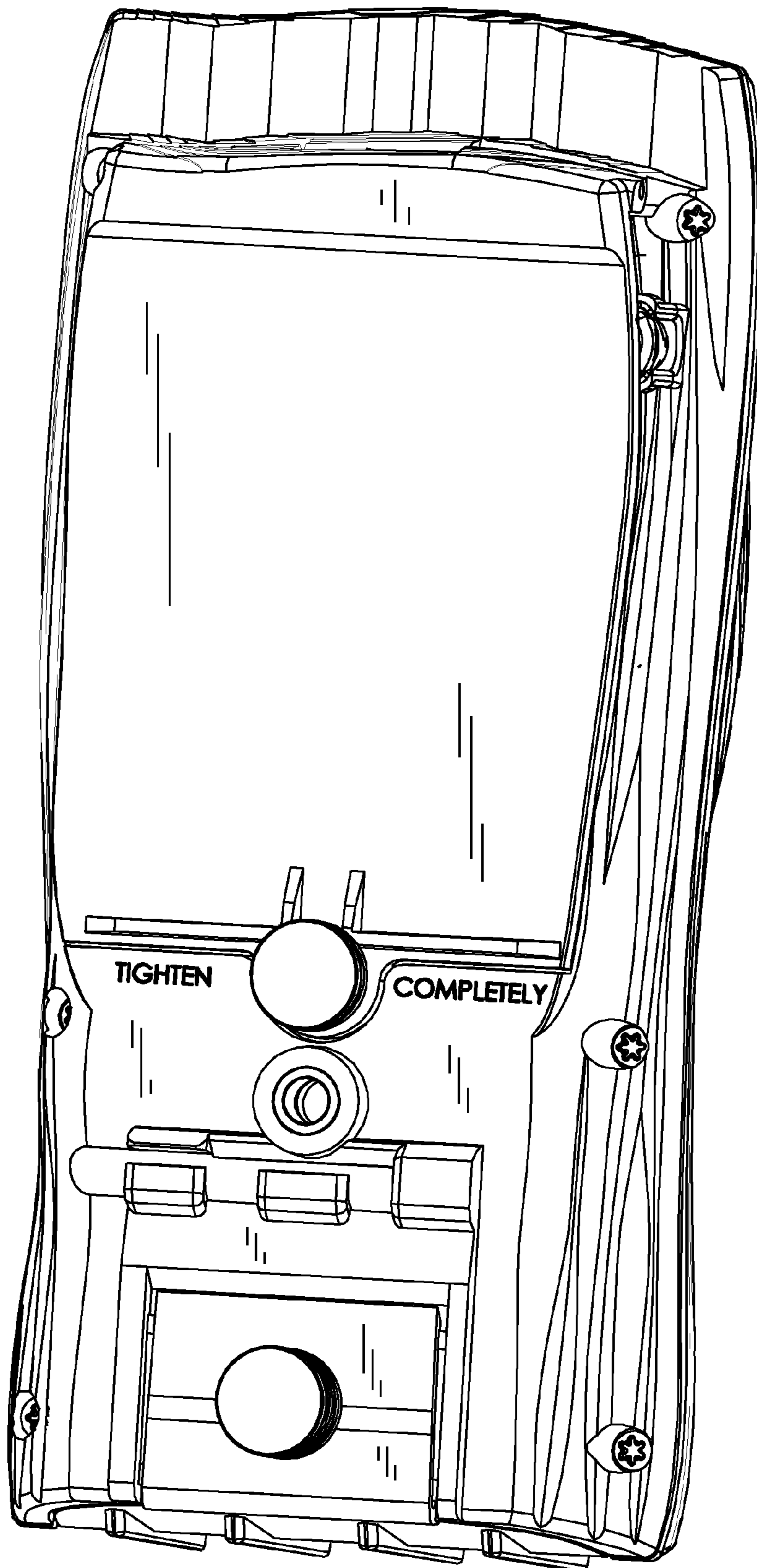


Figure 4



Figure 5

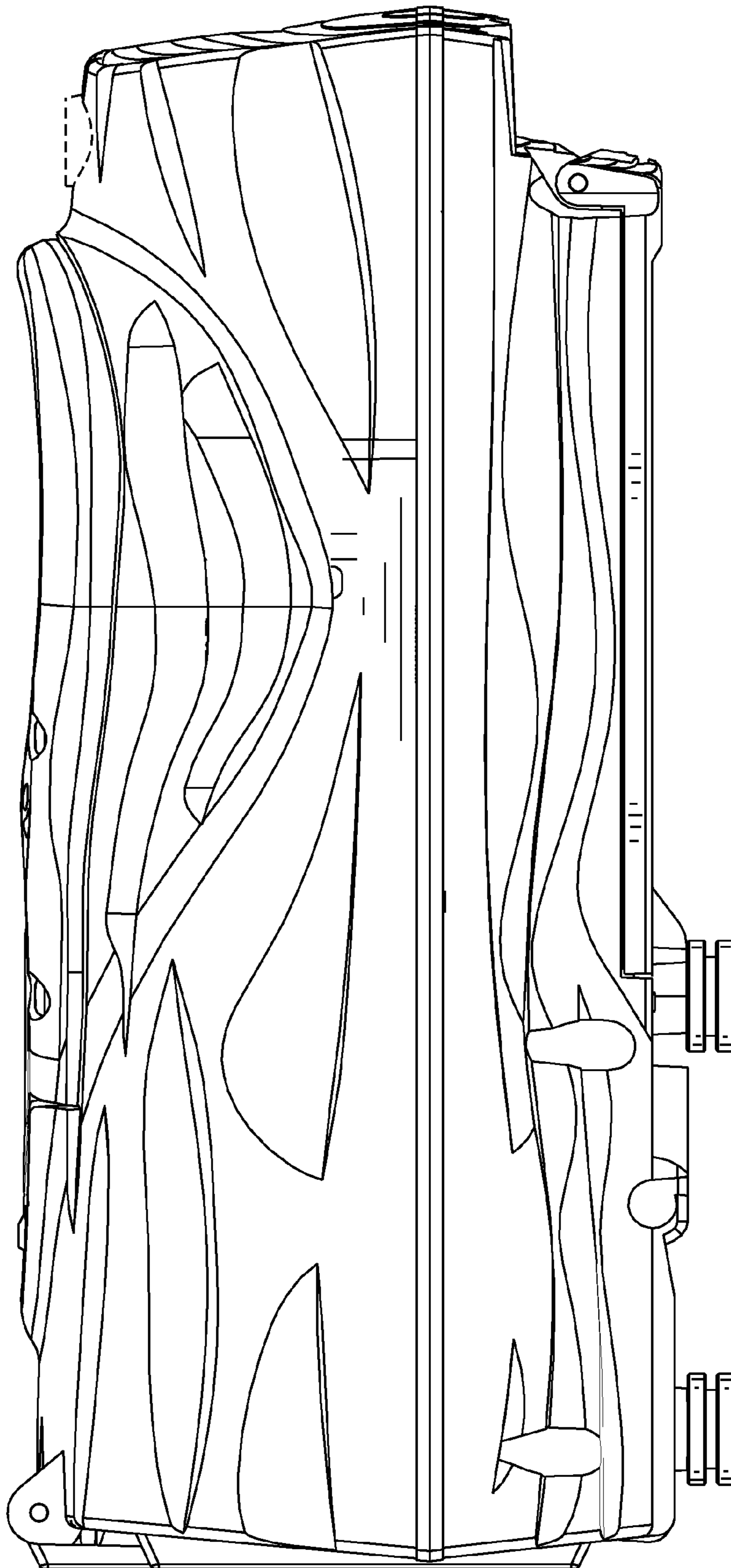


Figure 6

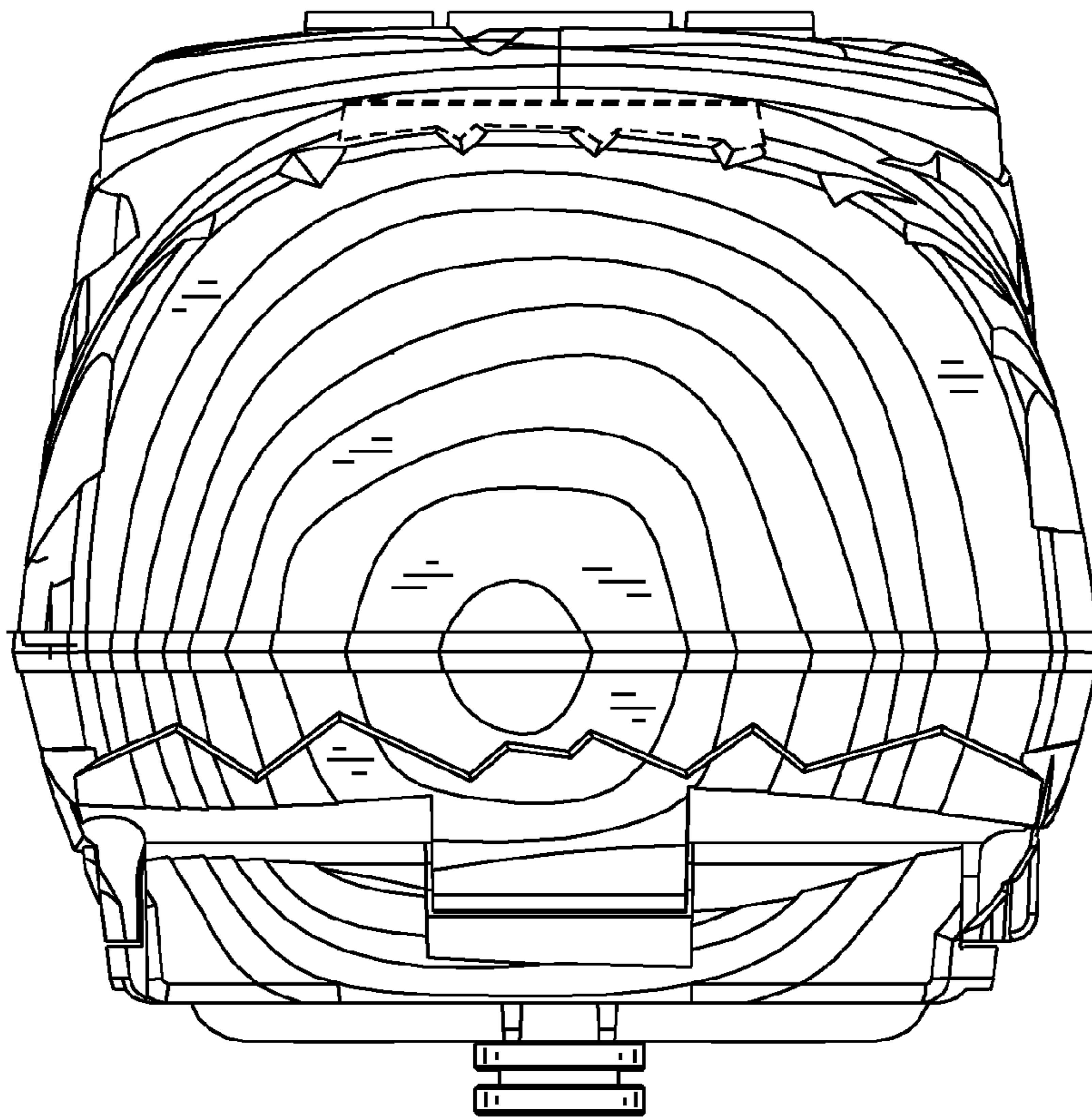


Figure 7

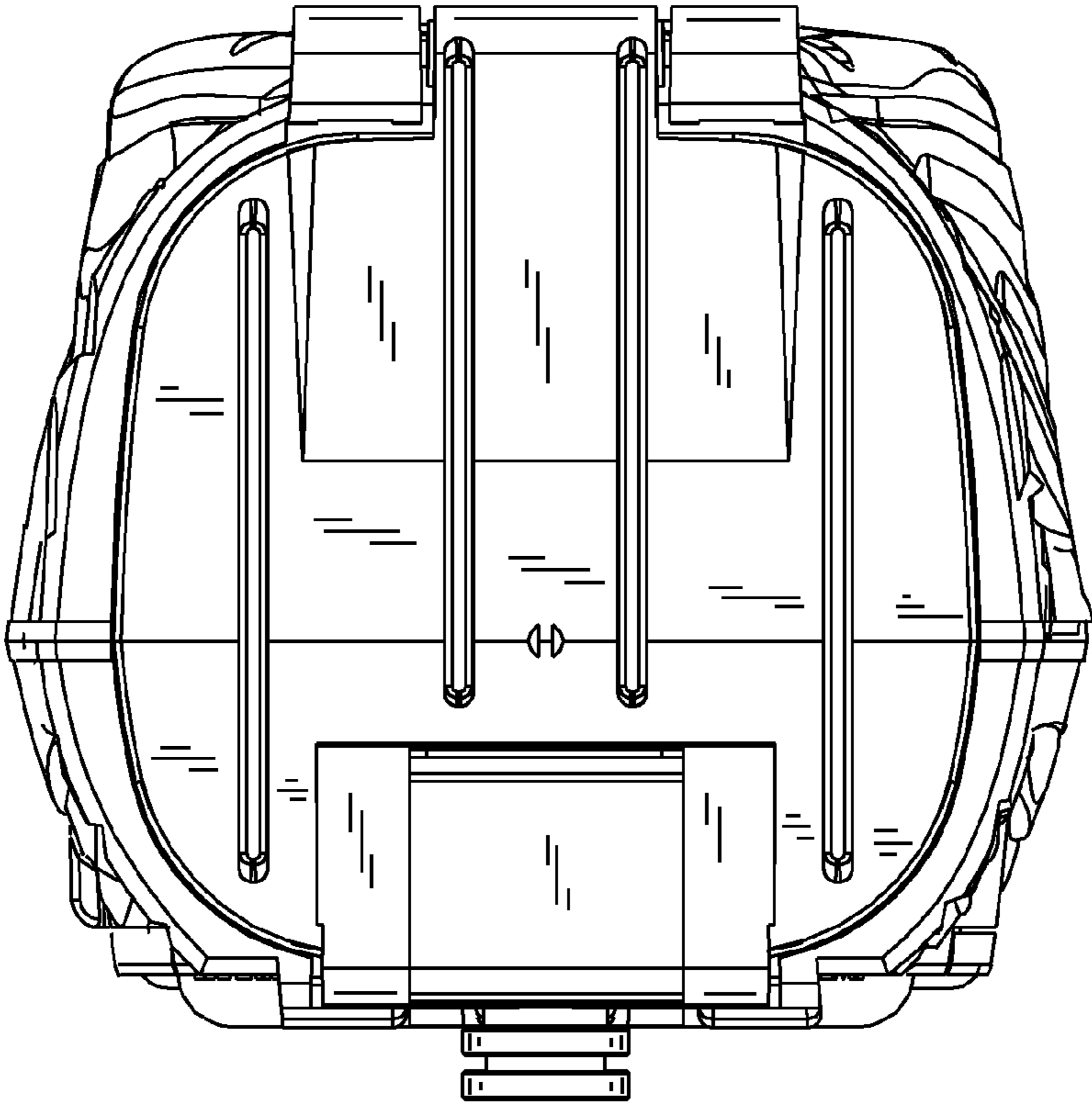


Figure 8