



US00D674832S

(12) **United States Design Patent**
Zhang

(10) **Patent No.:** **US D674,832 S**
(45) **Date of Patent:** **** Jan. 22, 2013**

(54) **DIGITAL CAMERA**

(75) Inventor: **Xianzhi Zhang**, Shenzhen (CN)

(73) Assignee: **Shenzhen AEE Technology Co., Ltd**,
Shenzhen (CN)

(**) Term: **14 Years**

(21) Appl. No.: **29/399,429**

(22) Filed: **Aug. 15, 2011**

(30) **Foreign Application Priority Data**

Feb. 15, 2011 (CN) 2011 3 0022271

(51) **LOC (9) Cl.** **16-01**

(52) **U.S. Cl.** **D16/202**

(58) **Field of Classification Search** D16/200–205,
D16/208, 218; 348/373–376; 358/906;
396/535–541

See application file for complete search history.

(56) **References Cited**

U.S. PATENT DOCUMENTS

D96,348	S	*	7/1935	Teague	D16/217
D441,386	S	*	5/2001	Yamazaki	D16/203
D504,904	S	*	5/2005	Nagai et al.	D16/203
7,518,654	B2	*	4/2009	Bleau et al.	348/373
D611,081	S	*	3/2010	Kobayashi et al.	D16/218
D616,480	S	*	5/2010	Ookawa et al.	D16/218
D646,313	S	*	10/2011	Woodman	D16/200
2010/0085474	A1	*	4/2010	Morita	348/374

* cited by examiner

Primary Examiner — Adir Aronovich

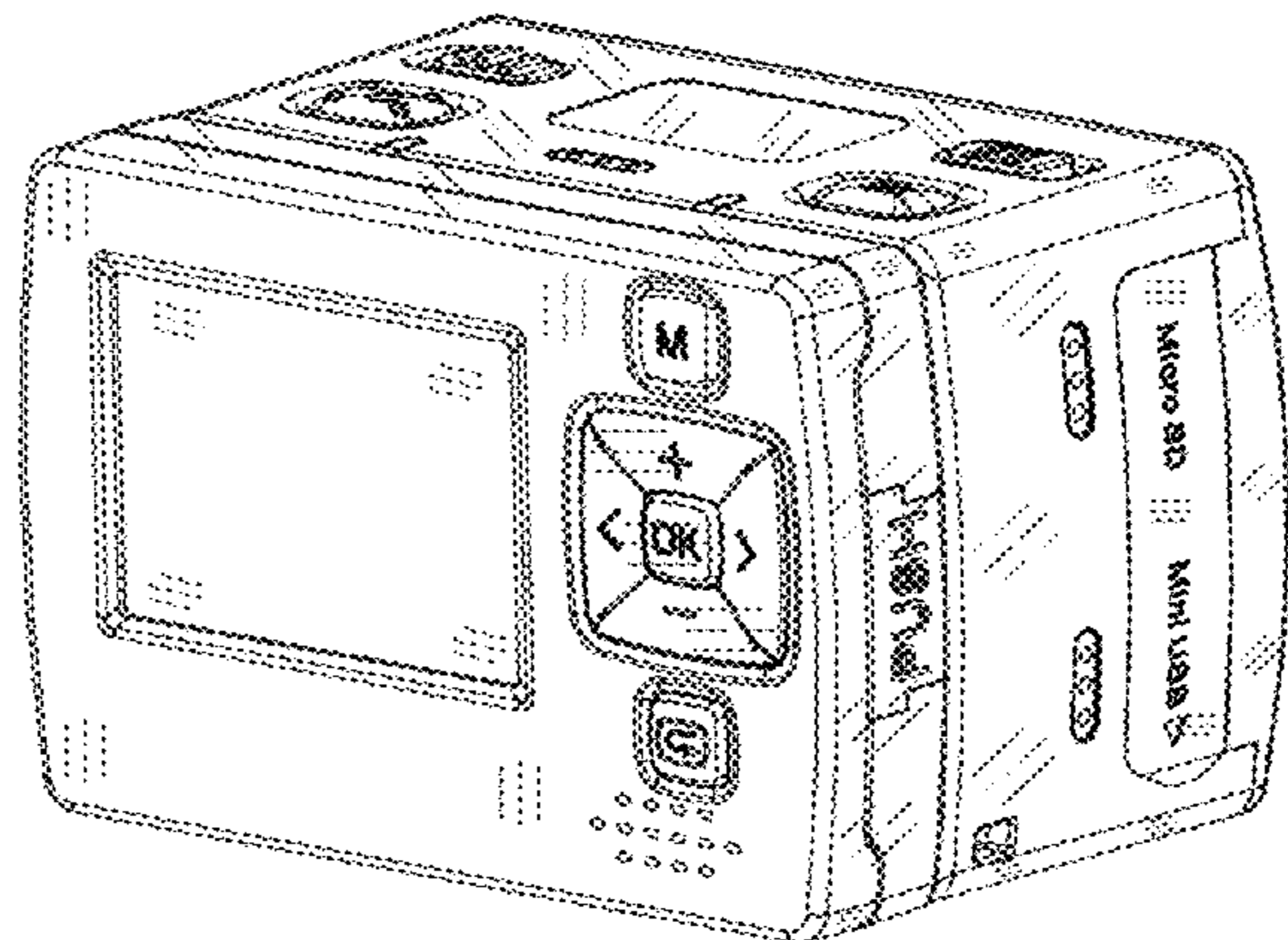
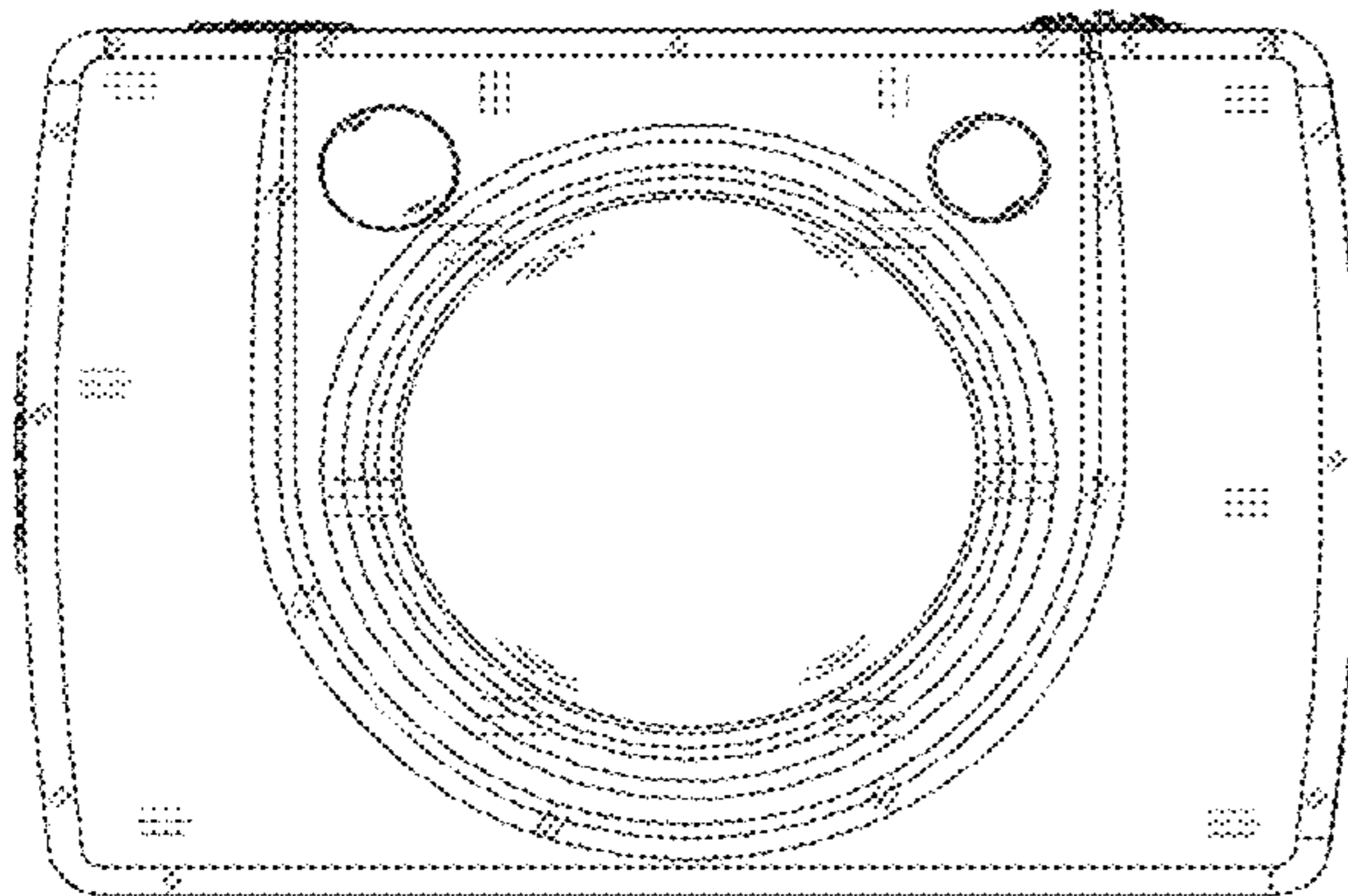
(57) **CLAIM**

The ornamental design for a digital camera, as shown.

DESCRIPTION

FIG. 1 is a front elevational view of a digital camera showing my new design;
FIG. 2 is a rear elevational view thereof;
FIG. 3 is a left side elevational view thereof;
FIG. 4 is a right side elevational view thereof;
FIG. 5 is top plan view thereof;
FIG. 6 is bottom plan view thereof; and,
FIG. 7 is a rear and left side perspective view thereof.

1 Claim, 7 Drawing Sheets



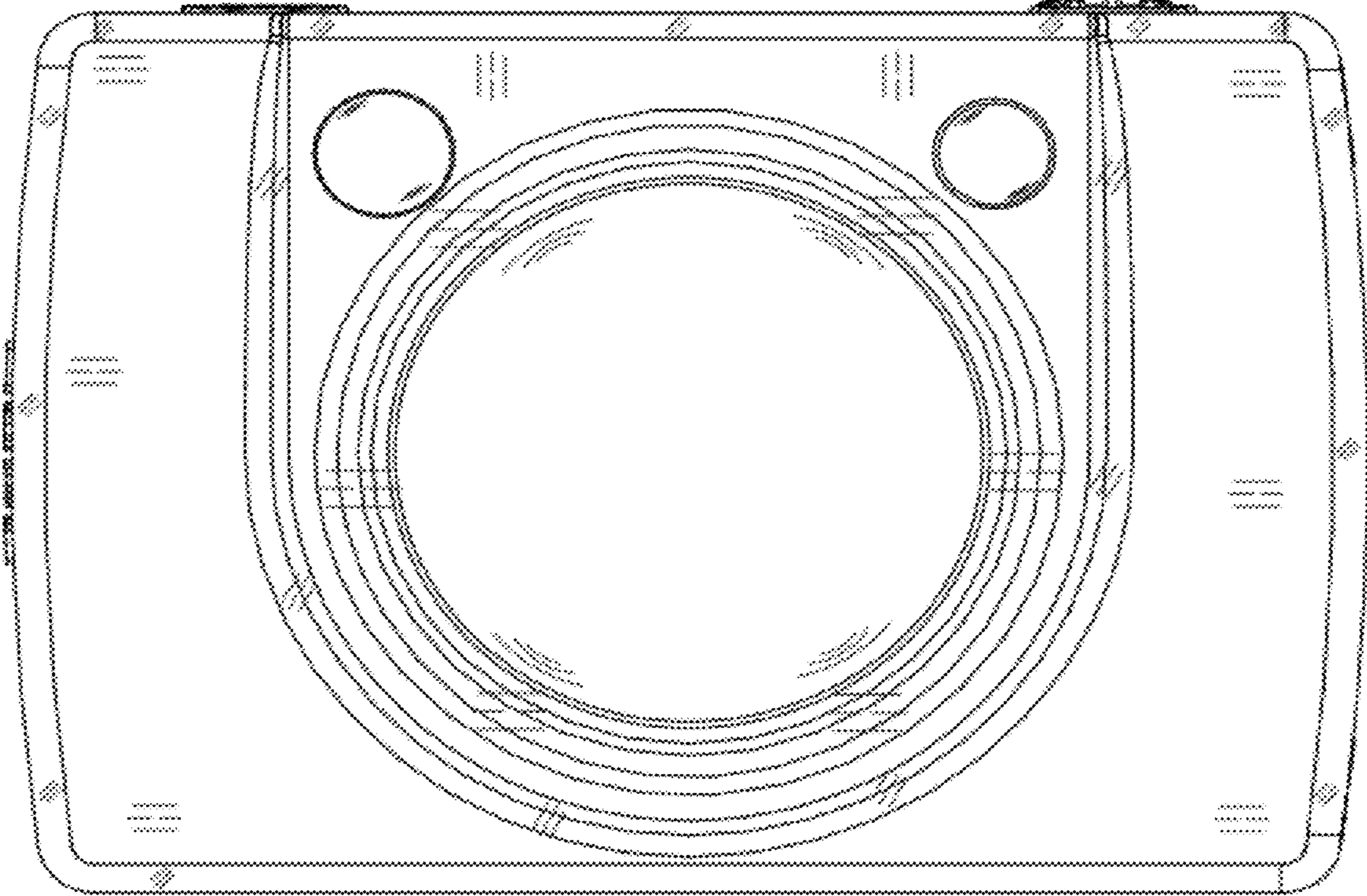


FIG. 1

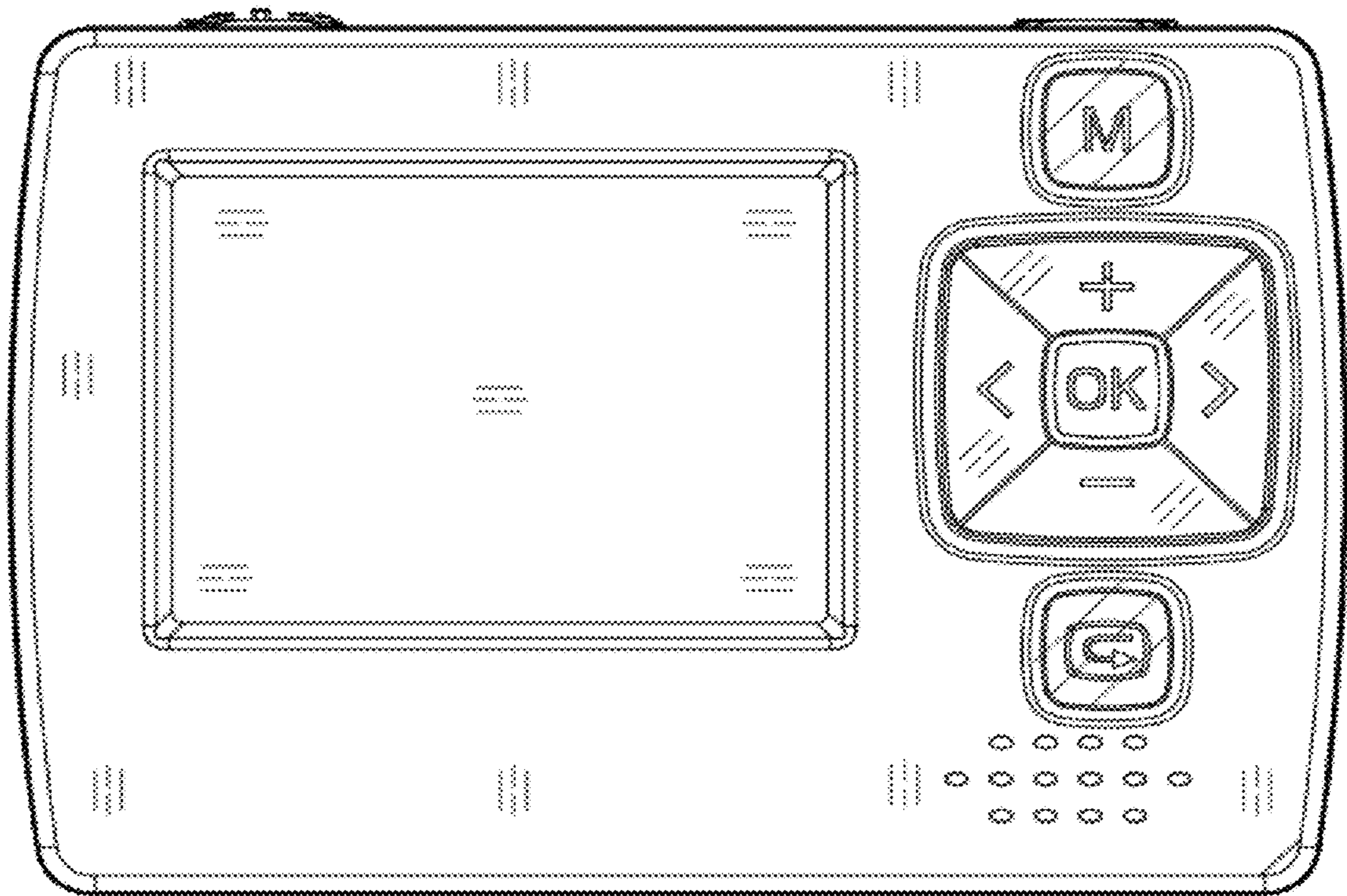


FIG. 2

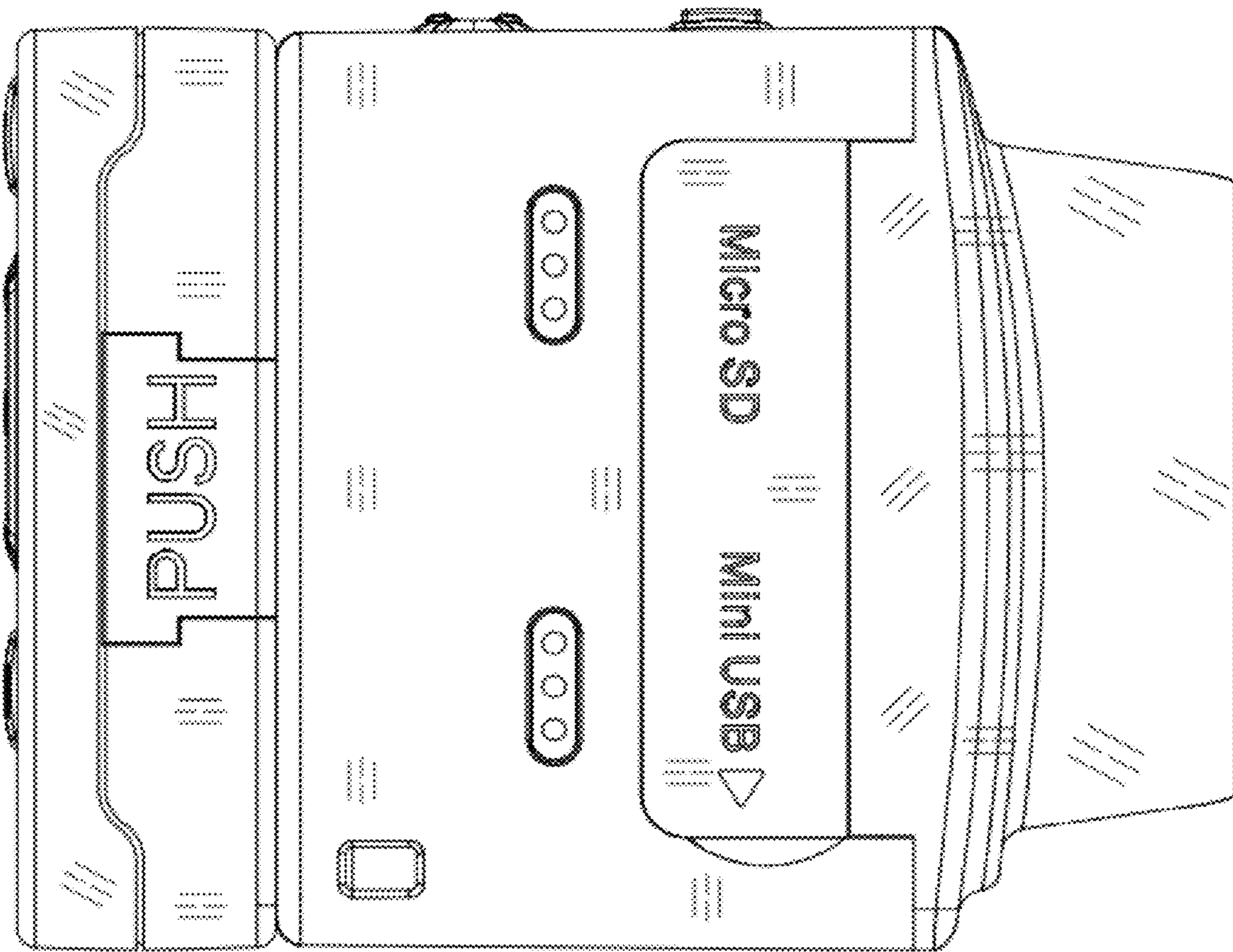


FIG. 3

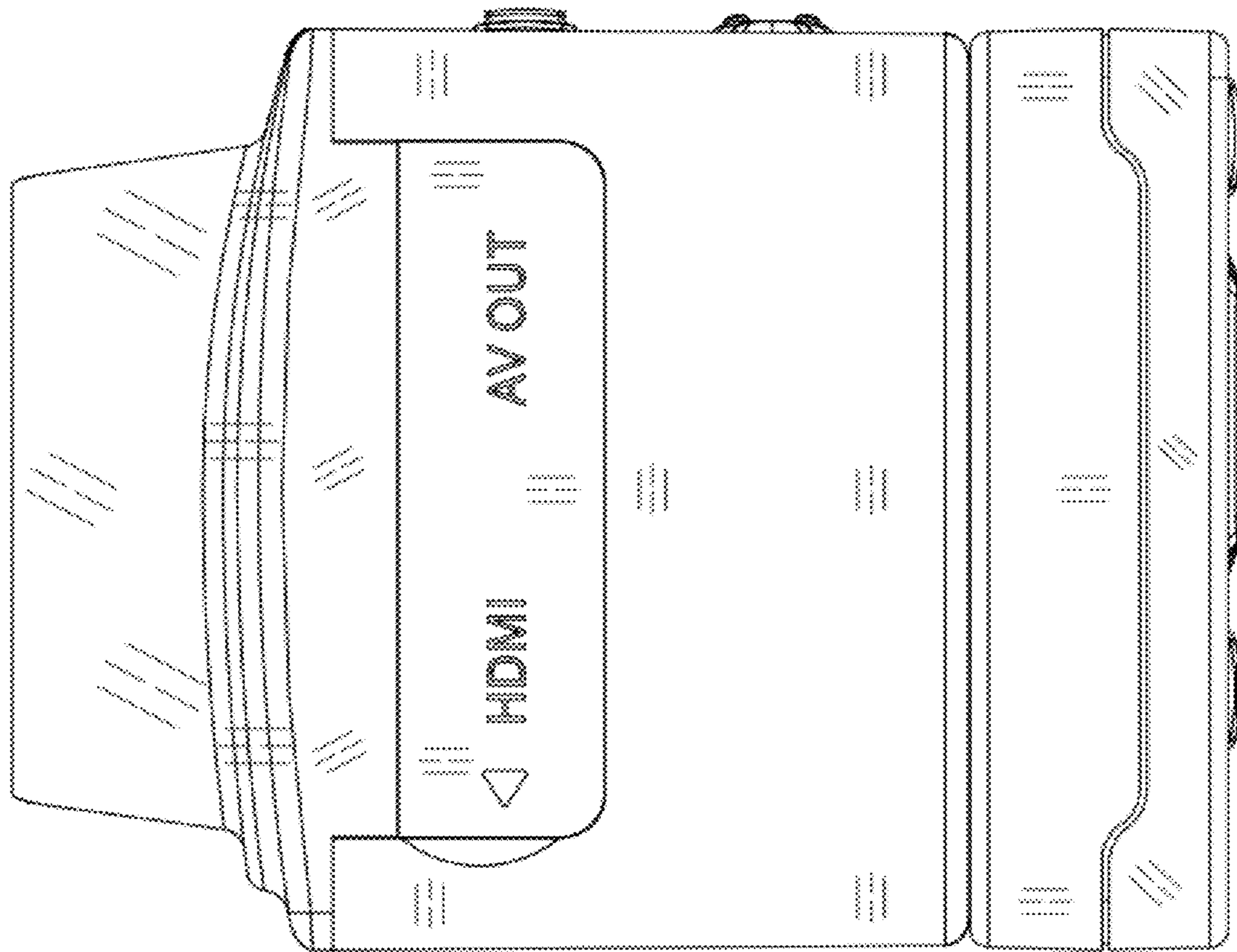


FIG. 4

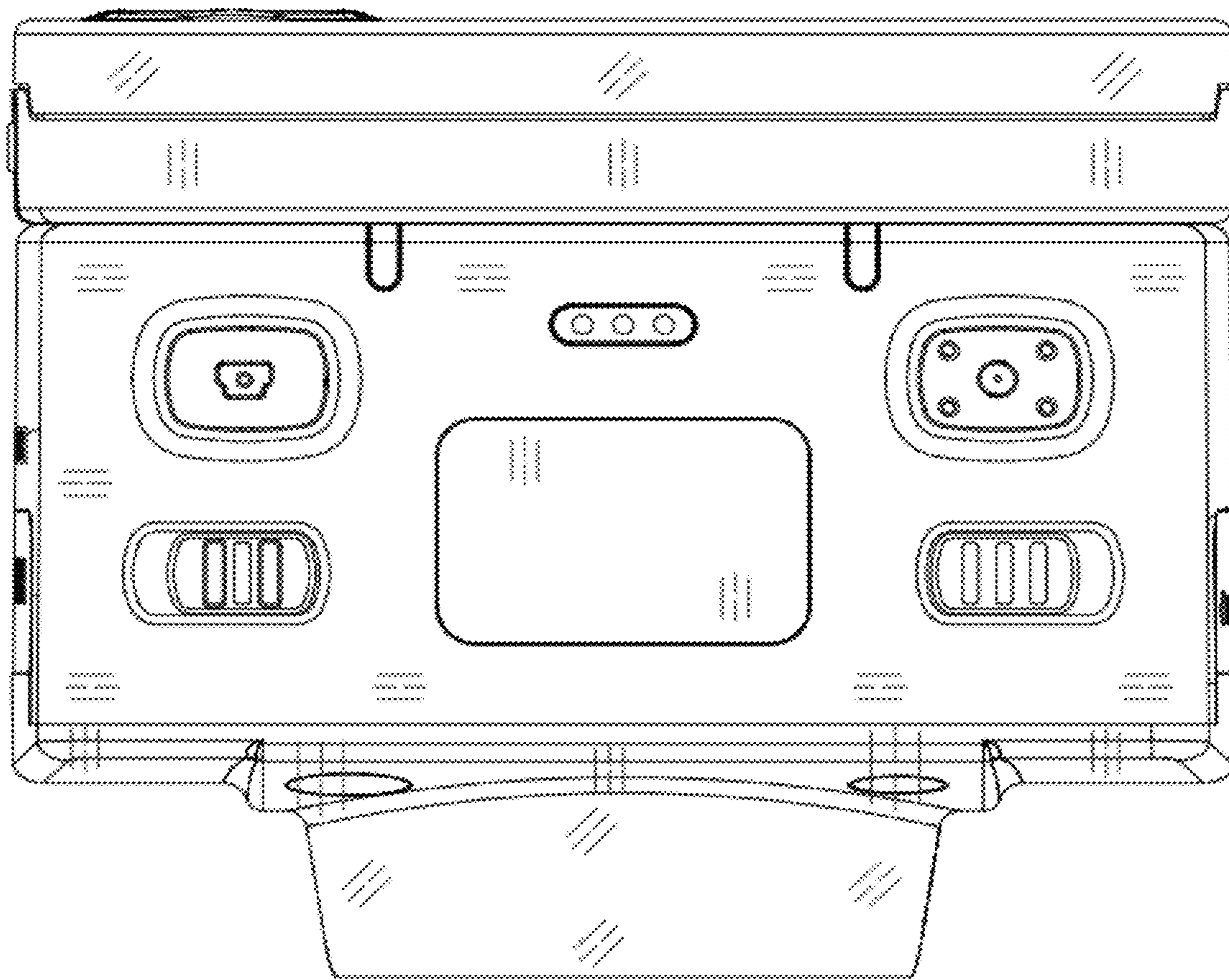


FIG. 5

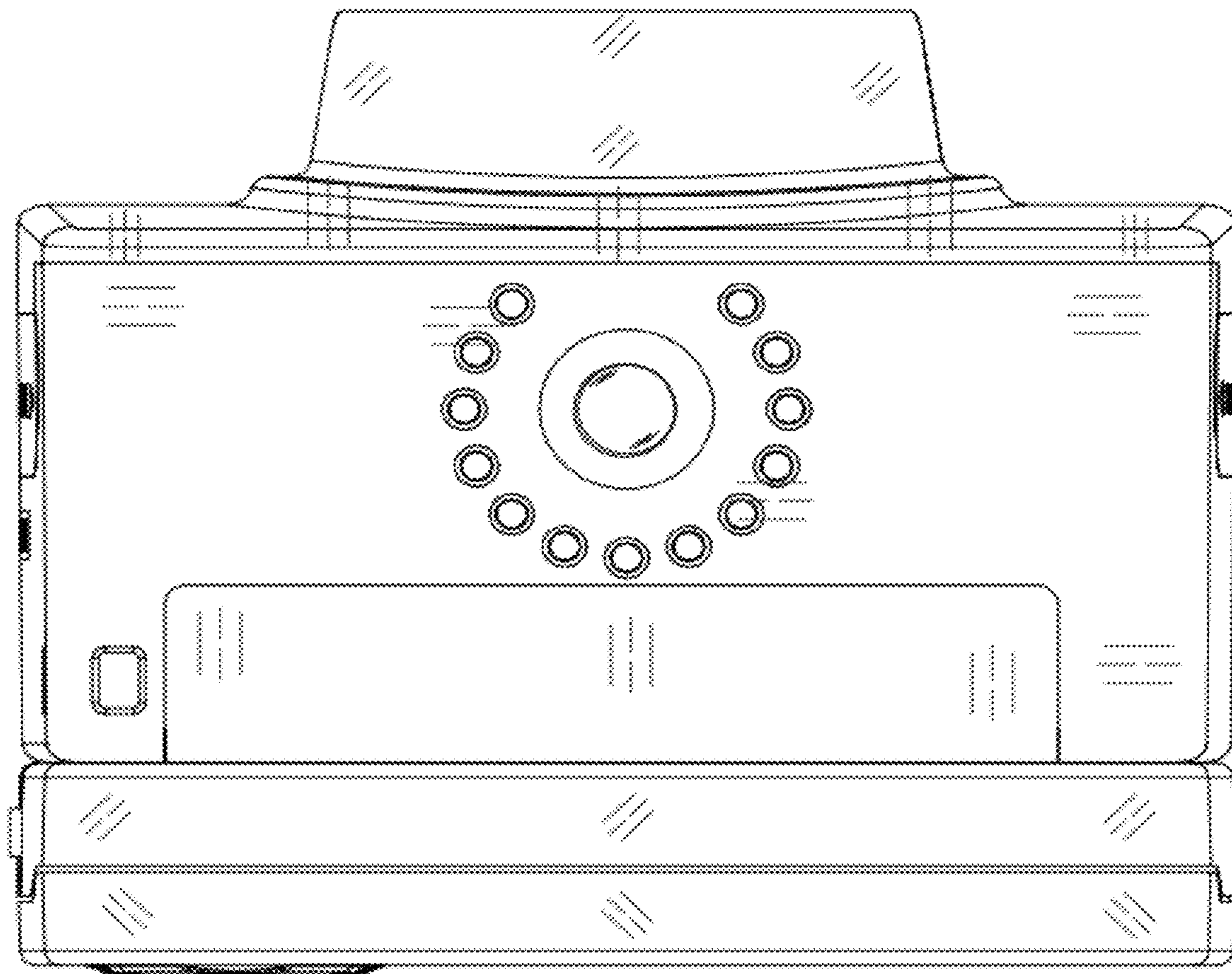


FIG. 6

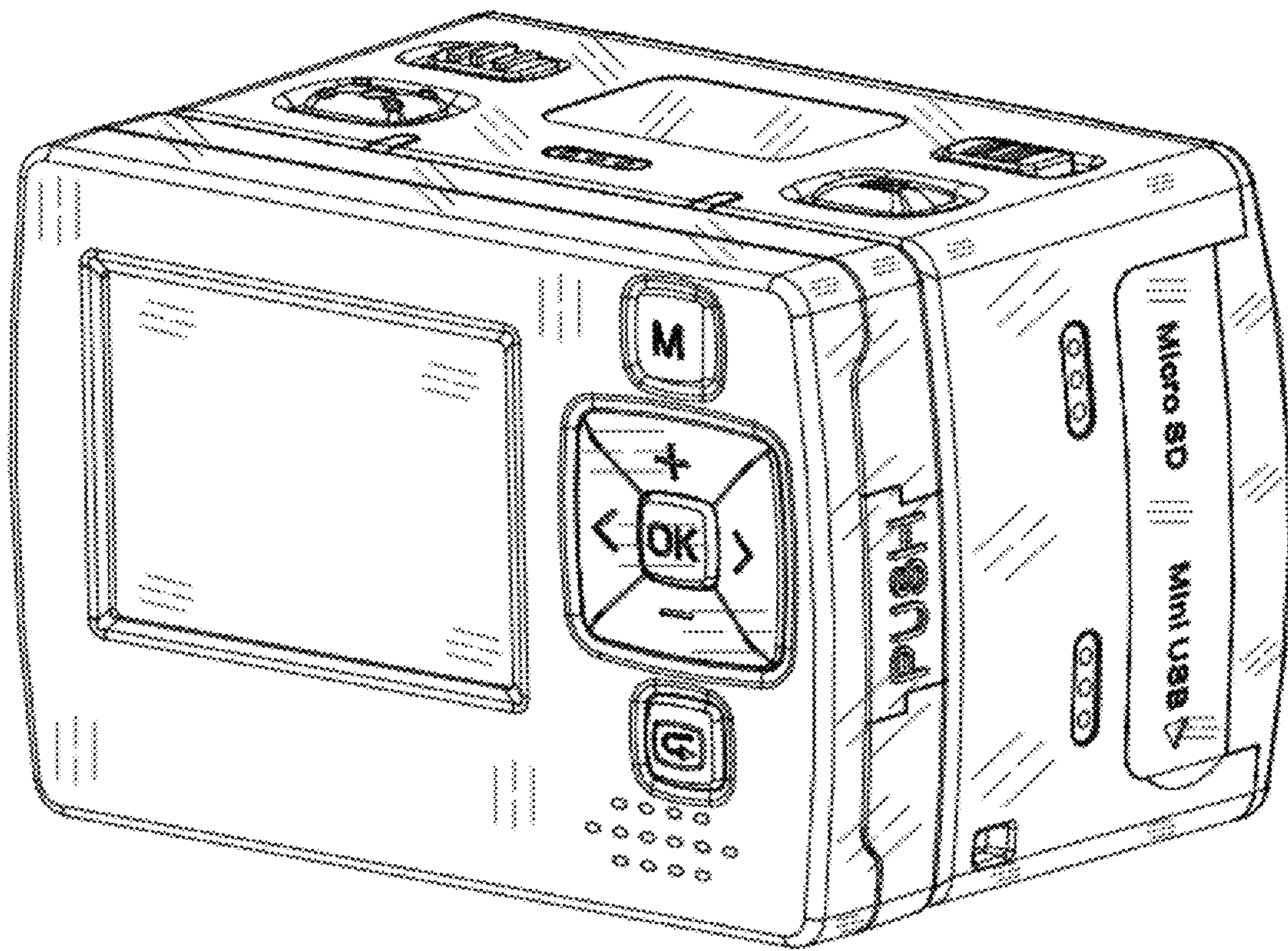


FIG. 7