



US00D674831S

(12) **United States Design Patent**
Wunnicke et al.

(10) **Patent No.:** **US D674,831 S**
(45) **Date of Patent:** **** Jan. 22, 2013**

(54) **SPOTTING SCOPE**

(75) Inventors: **Michael Wunnicke**, Sherwood, OR
(US); **David D. Lewin**, Portland, OR
(US)

(73) Assignee: **Leupold & Stevens, Inc.**, Beaverton,
OR (US)

(**) Term: **14 Years**

(21) Appl. No.: **29/405,369**

(22) Filed: **Nov. 1, 2011**

(51) **LOC (9) Cl.** **16-06**

(52) **U.S. Cl.** **D16/132**

(58) **Field of Classification Search** D16/132;
359/407-409, 411-420, 804, 809, 816, 835,
359/831; D21/483

See application file for complete search history.

(56) **References Cited**

U.S. PATENT DOCUMENTS

D123,486	S	*	11/1940	Miles	D16/132
D159,719	S	*	8/1950	Davidson	D16/132
D215,355	S	*	9/1969	Weatherby	D16/132
D272,916	S	*	3/1984	Tomatsuri et al.	D16/132
D285,802	S	*	9/1986	Ogasawara	D16/132
D288,210	S	*	2/1987	Mise	D16/132
4,669,833	A	*	6/1987	Mise	359/420
D347,441	S	*	5/1994	Lutter et al.	D16/132
D374,021	S	*	9/1996	Meinzer	D16/132
D374,022	S	*	9/1996	Meinzer	D16/132
D390,580	S	*	2/1998	Ogasawara et al.	D16/132
D395,440	S	*	6/1998	Ogasawara et al.	D16/132
D417,680	S	*	12/1999	Diebel et al.	D16/132
D454,898	S	*	3/2002	Ogasawara et al.	D16/132
D479,255	S	*	9/2003	Hamamura	D16/132
D482,709	S	*	11/2003	Meinzer	D16/132
D490,097	S	*	5/2004	Regan et al.	D16/132
D508,252	S	*	8/2005	Koinuma	D16/132
D512,449	S	*	12/2005	Regan et al.	D16/132

D513,274	S	*	12/2005	Chen	D16/132
D528,574	S	*	9/2006	Koinuma	D16/132
D532,803	S	*	11/2006	Regan et al.	D16/132
D534,193	S	*	12/2006	Ono	D16/132
D550,263	S	*	9/2007	Zhou	D16/132
D572,740	S	*	7/2008	Kitera	D16/132
D587,290	S	*	2/2009	Meinzer	D16/132
D594,493	S	*	6/2009	Chujo et al.	D16/132
D594,494	S	*	6/2009	Chujo et al.	D16/132
D595,754	S	*	7/2009	Hamilton	D16/132
D597,575	S	*	8/2009	Steiner et al.	D16/133

* cited by examiner

Primary Examiner — Paula Greene

(74) *Attorney, Agent, or Firm* — Stoel Rives LLP

(57) **CLAIM**

We claim the ornamental design for a spotting scope, as shown and described.

DESCRIPTION

FIG. 1 is an isometric view showing an objective end of a spotting scope according to one embodiment;

FIG. 2 is a left side elevation view of the spotting scope of FIG. 1;

FIG. 3 is a bottom plan view of the spotting scope of FIG. 1;

FIG. 4 is a top plan view of the spotting scope of FIG. 1;

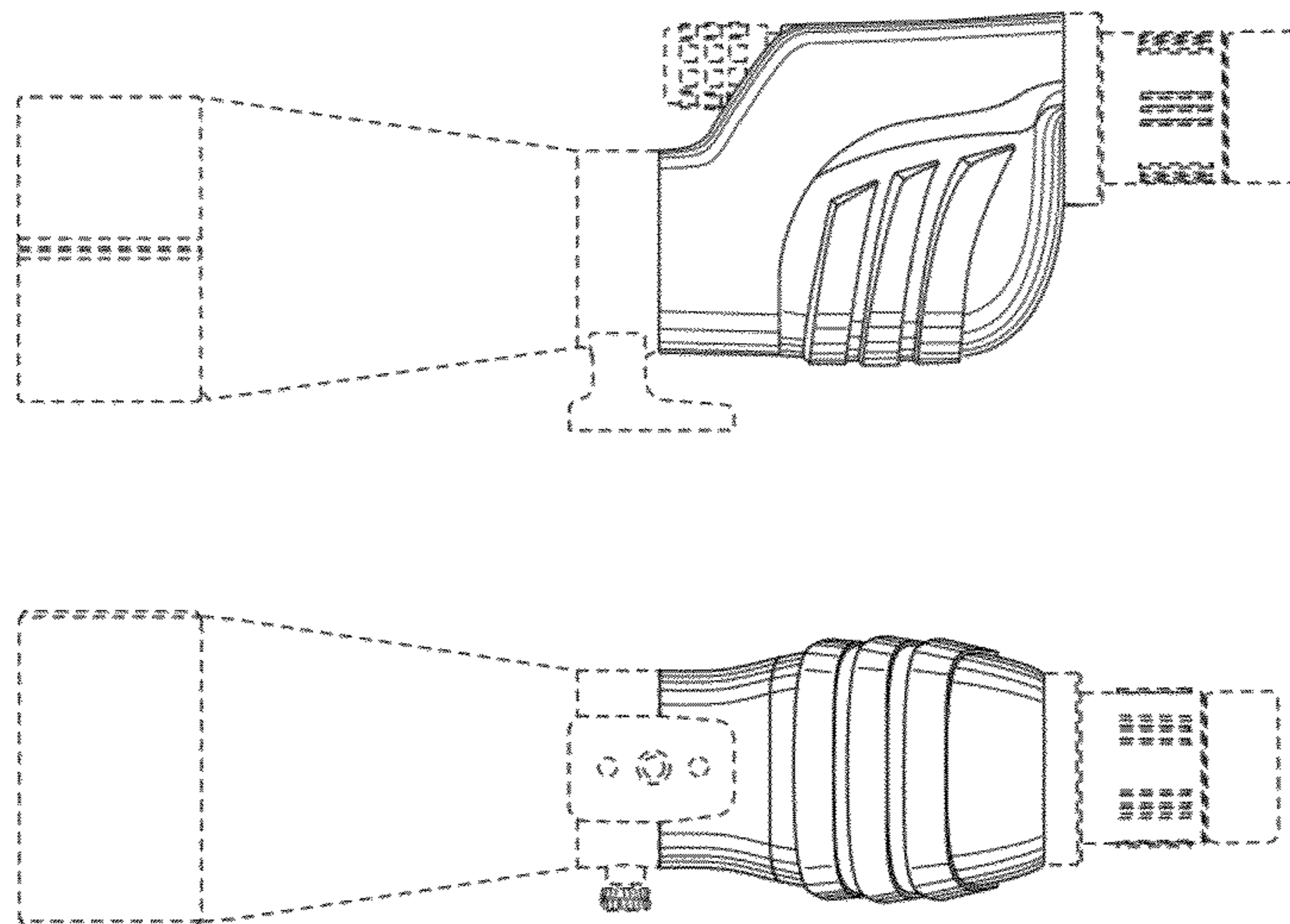
FIG. 5 is a right side elevation view of the spotting scope of FIG. 1;

FIG. 6 is an eyepiece-end elevation view of the spotting scope of FIG. 1; and,

FIG. 7 is an objective-end elevation view of the spotting scope of FIG. 1.

In FIG. 3, the broken lines showing screws and apertures are illustrative of environmental structure that forms no part of the claimed design. The remaining broken lines in the figures depict lens and adjustment knob components that are illustrative of environmental structure that forms no part of the claimed design.

1 Claim, 3 Drawing Sheets



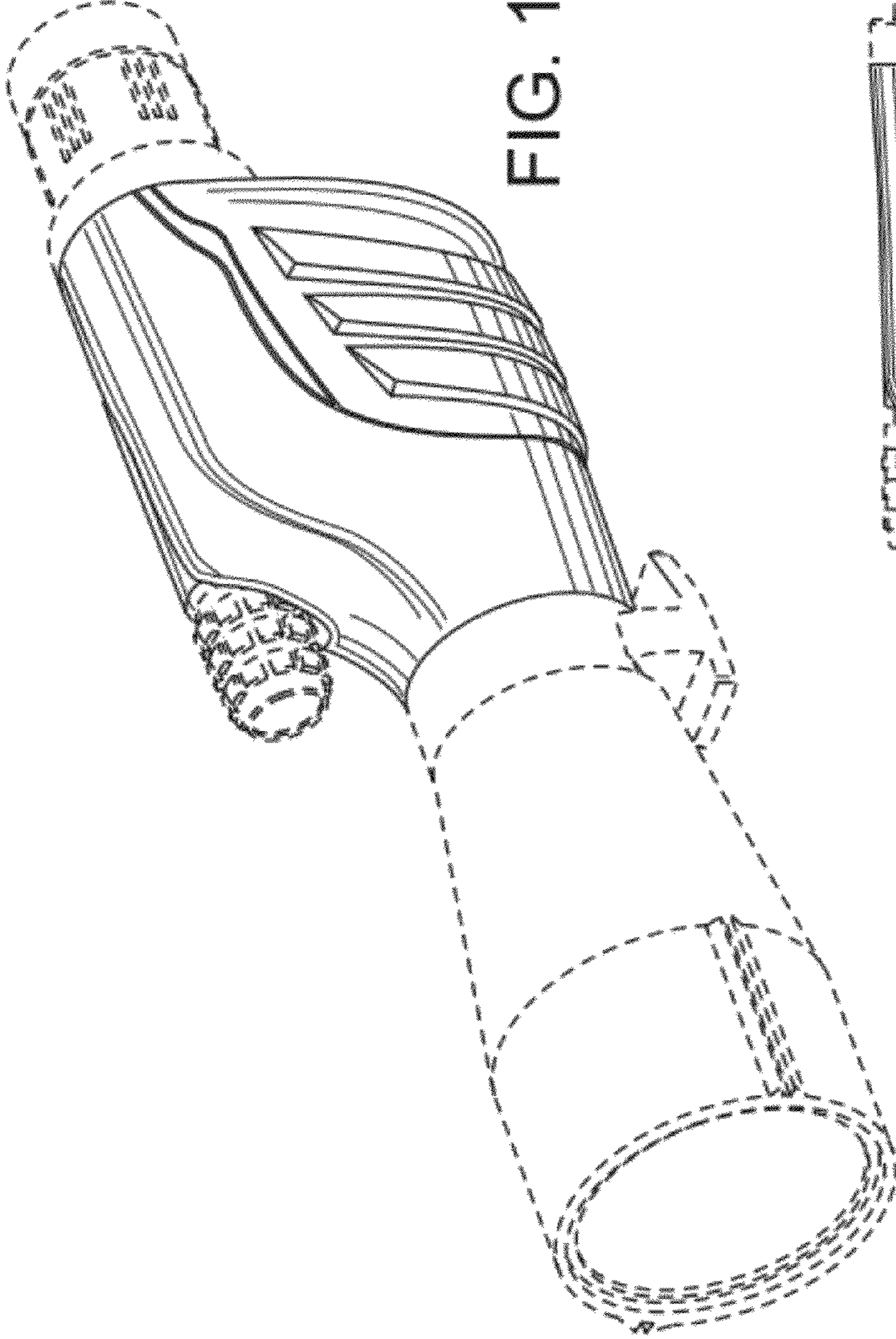


FIG. 1

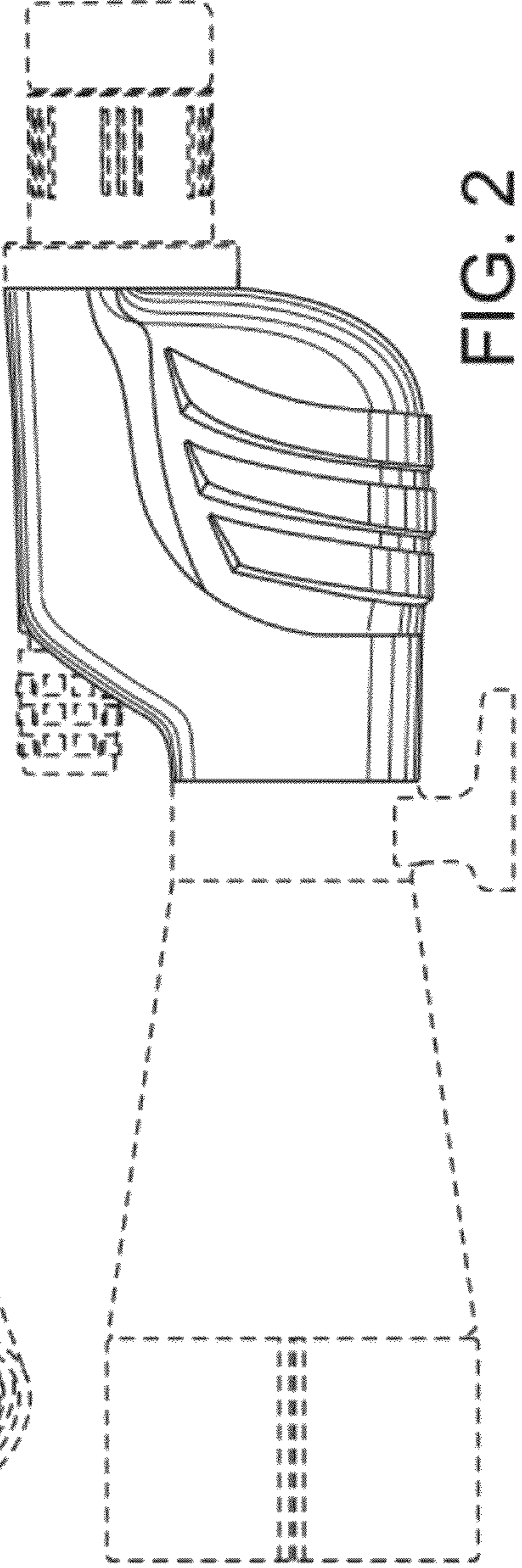
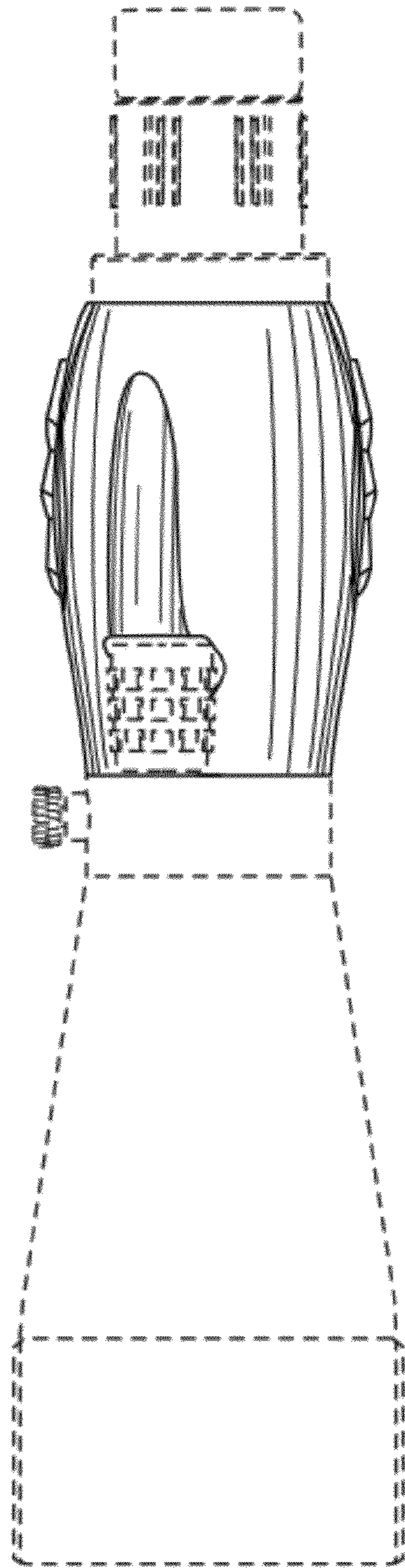
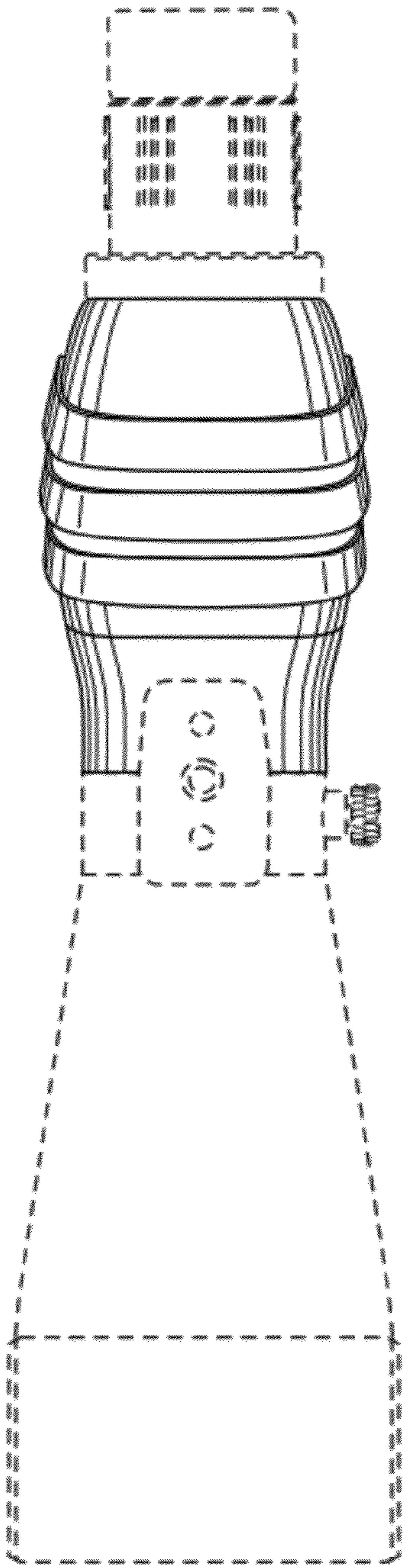


FIG. 2



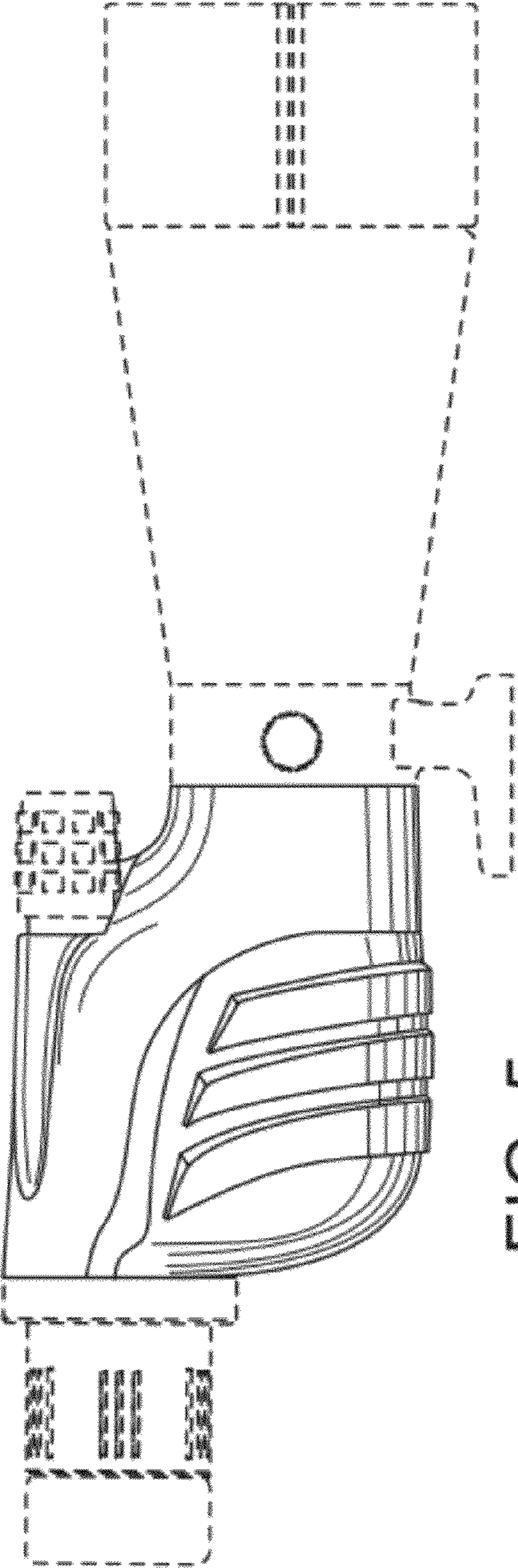


FIG. 5

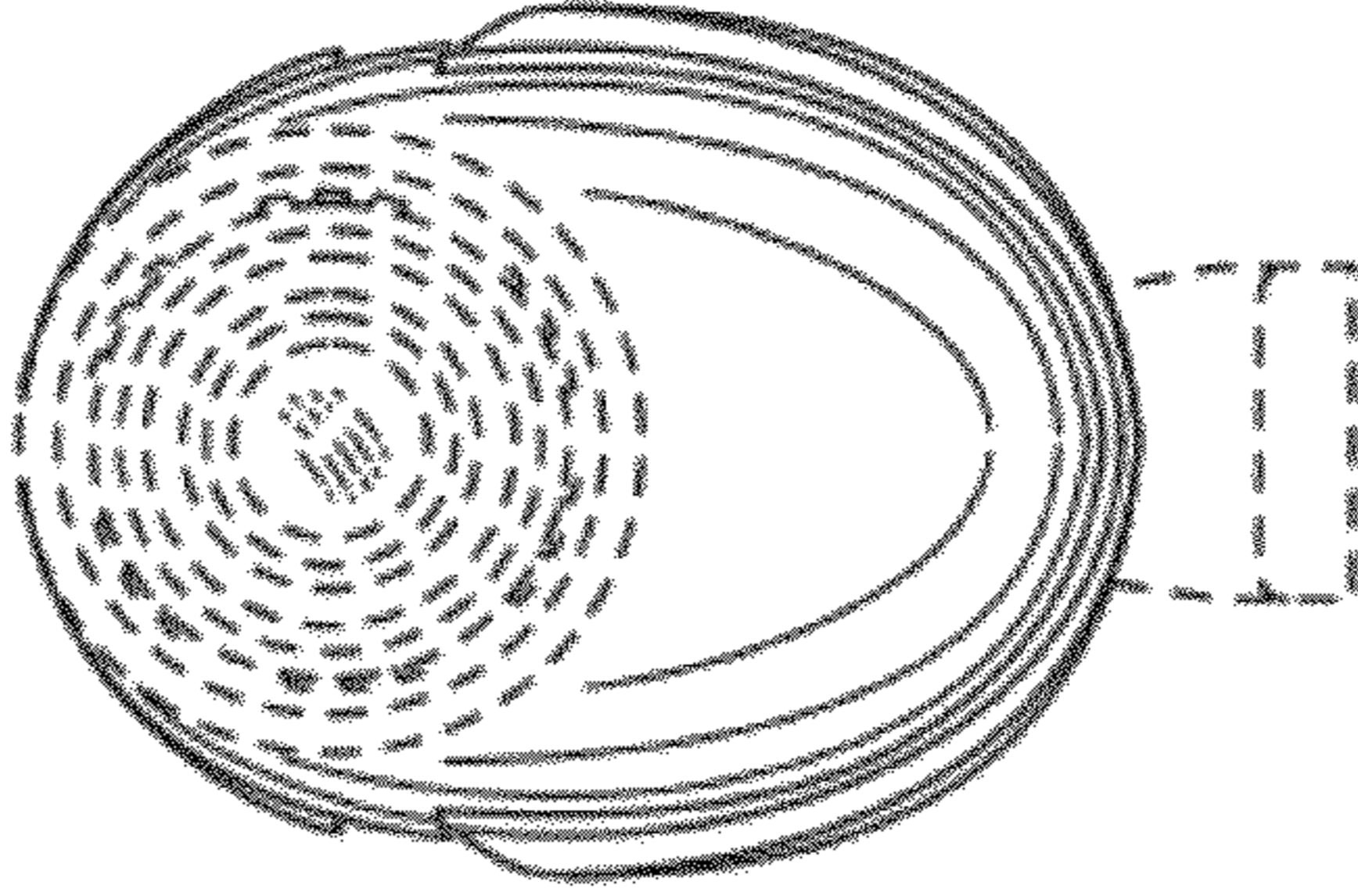


FIG. 6

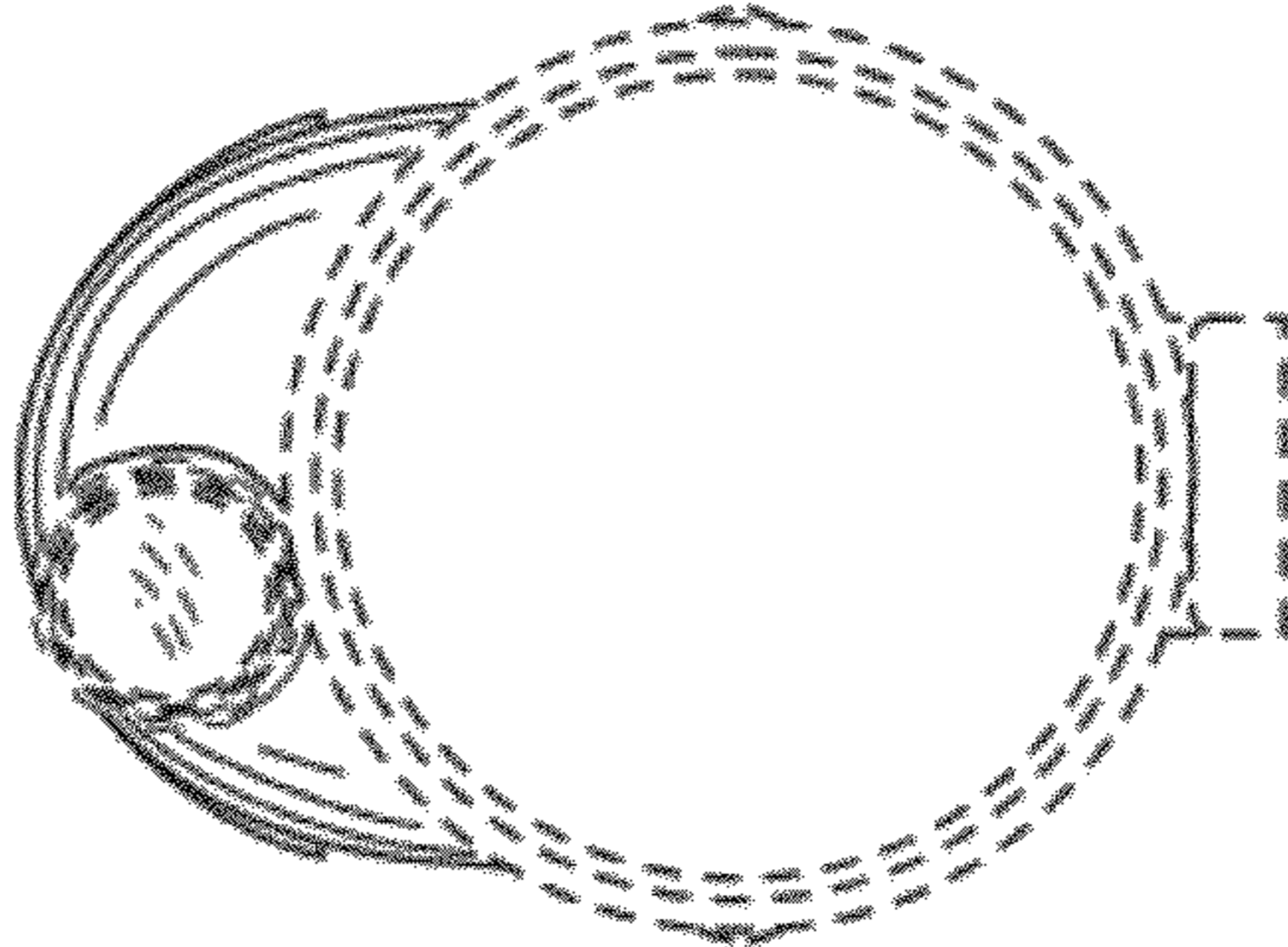


FIG. 7