

US00D674830S

(12) **United States Design Patent**  
**Stoiakine**

(10) **Patent No.:** **US D674,830 S**

(45) **Date of Patent:** **\*\* Jan. 22, 2013**

(54) **MICROSCOPE**

(75) Inventor: **Denis Stoiakine**, Castletroy (IE)

(73) Assignee: **NT-MDT Service & Logistics Ltd.**,  
Limerick (IE)

(\*\*) Term: **14 Years**

(21) Appl. No.: **29/410,389**

(22) Filed: **Jan. 6, 2012**

(30) **Foreign Application Priority Data**

Jul. 8, 2011 (EM) ..... 001284442-0001

(51) **LOC (9) Cl.** ..... **16-06**

(52) **U.S. Cl.** ..... **D16/131**

(58) **Field of Classification Search** ..... D16/131,  
D16/136, 130; D10/81; D24/186, 172, 216,  
D24/232; 359/390, 889, 385, 393, 376; 356/318;  
250/440.11

See application file for complete search history.

(56) **References Cited**

**U.S. PATENT DOCUMENTS**

D141,832 S *	7/1945	Holley	.....	D16/131
2,424,791 A *	7/1947	Bachman et al.	.....	250/311
D226,283 S *	2/1973	Shield	.....	D16/131
3,814,356 A *	6/1974	Coleman et al.	.....	248/636
D233,610 S *	11/1974	Fossella	.....	D13/101
4,210,384 A *	7/1980	Meyer et al.	.....	359/363
4,812,029 A *	3/1989	Onanhian	.....	359/383
D303,267 S *	9/1989	Takahashi et al.	.....	D16/131
D332,616 S *	1/1993	Hashimoto et al.	.....	D16/131
D418,596 S *	1/2000	Doms et al.	.....	D24/107

D527,464 S *	8/2006	Ina et al.	.....	D24/232
D626,579 S *	11/2010	Oonuma et al.	.....	D16/131
D630,660 S *	1/2011	Stoiakine	.....	D16/131
D632,323 S *	2/2011	Oonuma et al.	.....	D16/131
D633,537 S *	3/2011	Oonuma et al.	.....	D16/131
D633,538 S *	3/2011	Oonuma et al.	.....	D16/131
D636,005 S *	4/2011	Oonuma et al.	.....	D16/131
D638,046 S *	5/2011	Noda et al.	.....	D16/131
D654,184 S *	2/2012	Oonuma et al.	.....	D24/216
D656,978 S *	4/2012	Stoiakine	.....	D16/131
D657,407 S *	4/2012	Okamoto et al.	.....	D16/131
D658,776 S *	5/2012	Oonuma et al.	.....	D24/216
D663,338 S *	7/2012	Okamoto et al.	.....	D16/131

\* cited by examiner

*Primary Examiner* — Paula Greene

(74) *Attorney, Agent, or Firm* — Fross Zelnick Lehrman &  
Zissu, P.C.; Charles T. J. Weigell, Esq.

(57) **CLAIM**

The ornamental design for a microscope, as shown and described.

**DESCRIPTION**

FIG. 1 is a front perspective view of a microscope showing my new design;

FIG. 2 is a front view of the microscope shown in FIG. 1;

FIG. 3 is a rear view of the pouring lid shown in FIG. 1;

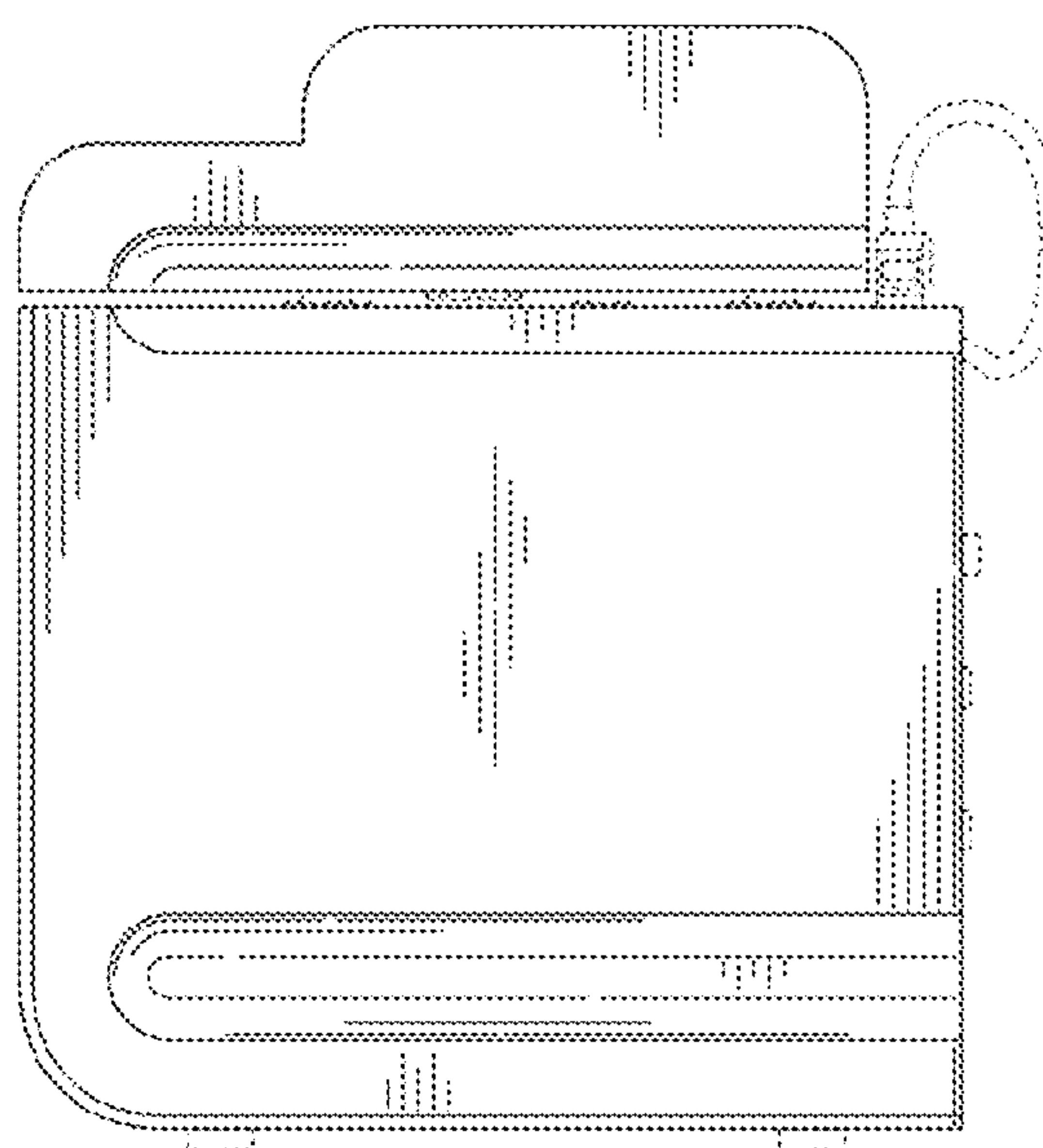
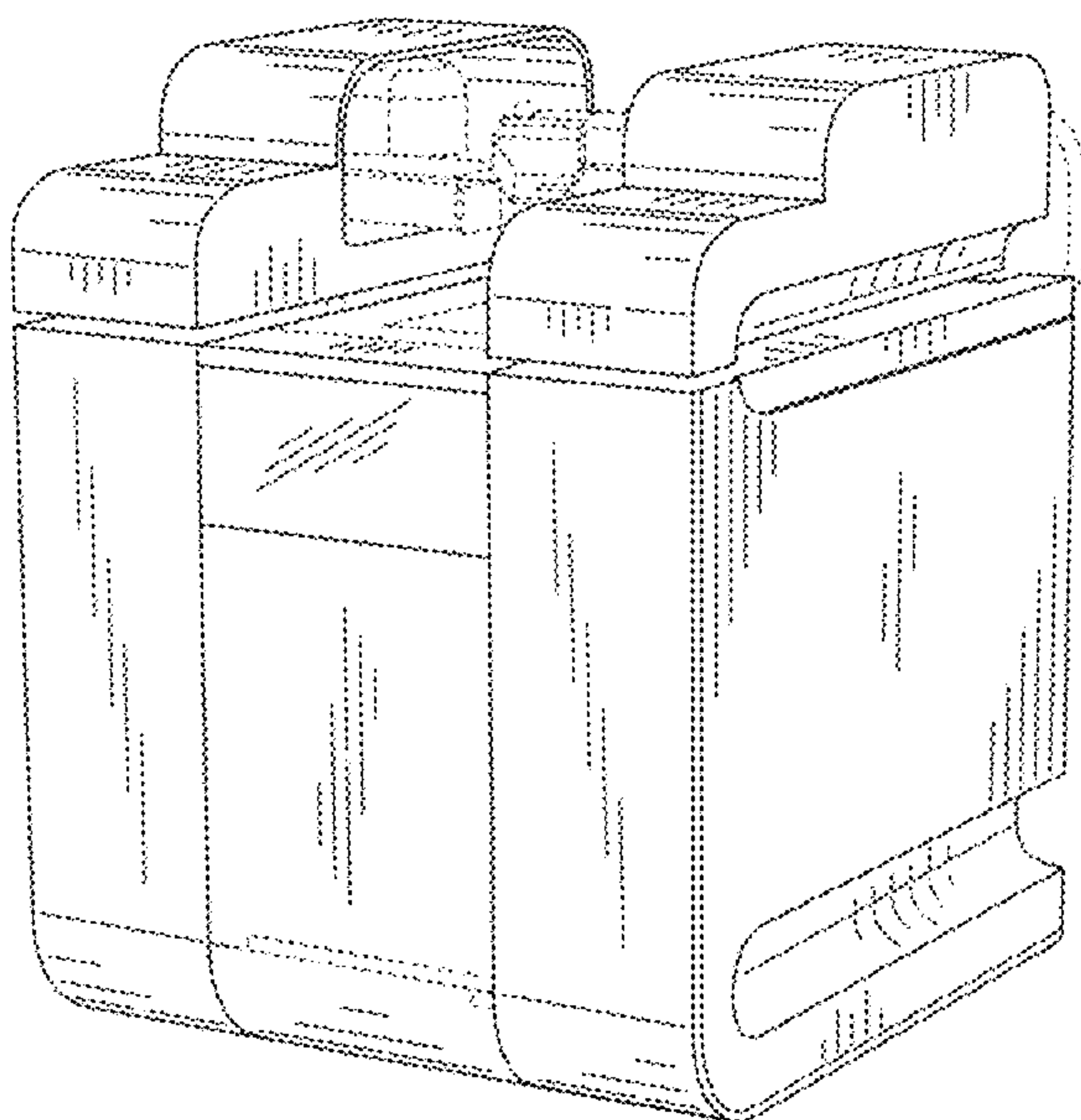
FIG. 4 is a right side view of the microscope shown in FIG. 1 (with the left side view being a mirror image thereof);

FIG. 5 is a top view of the microscope shown in FIG. 1; and,

FIG. 6 is a rear perspective view of the microscope shown in FIG. 1.

The broken lines depicting various portions of the microscope show unclaimed subject matter.

**1 Claim, 6 Drawing Sheets**



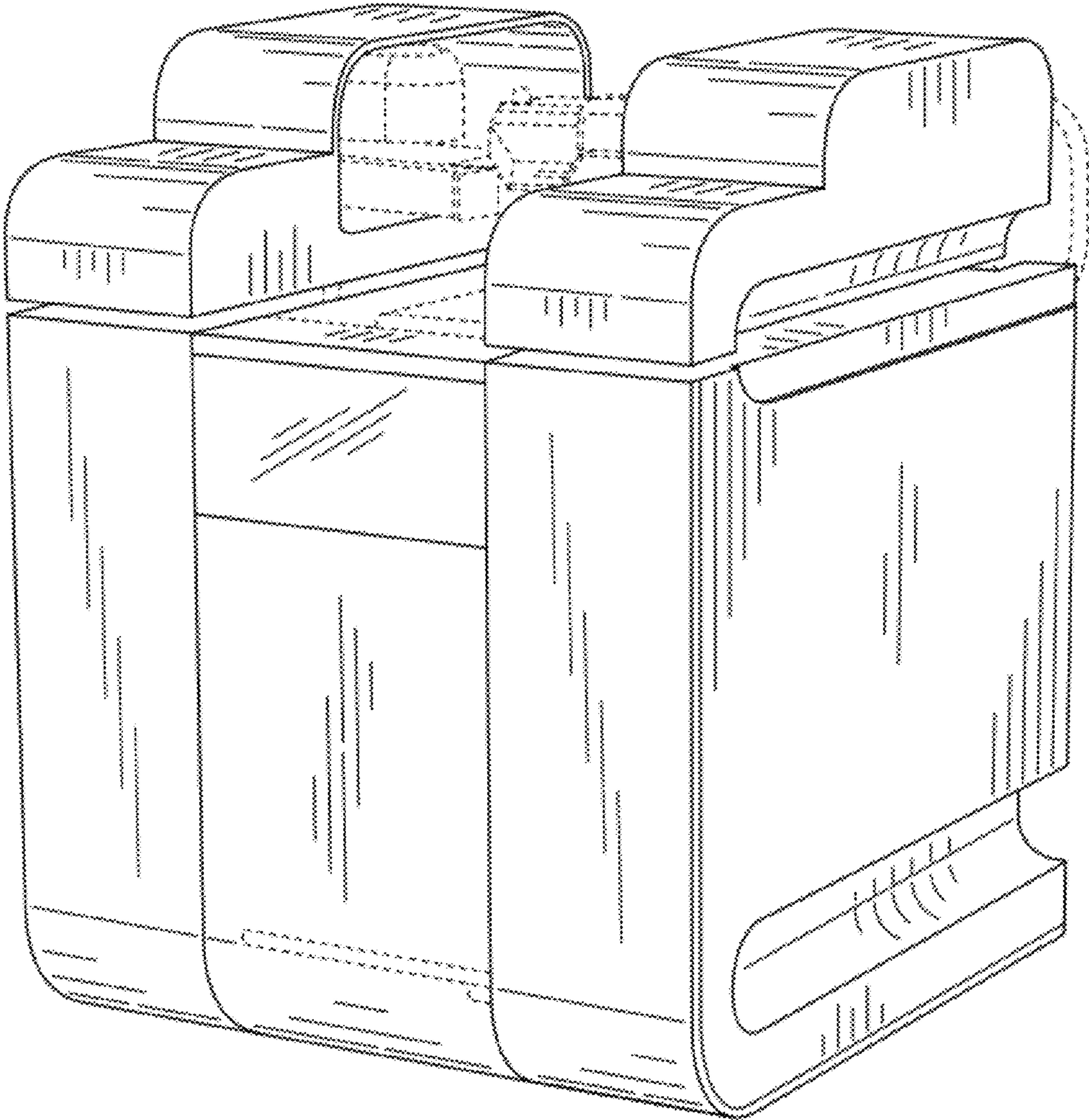


FIG. 1



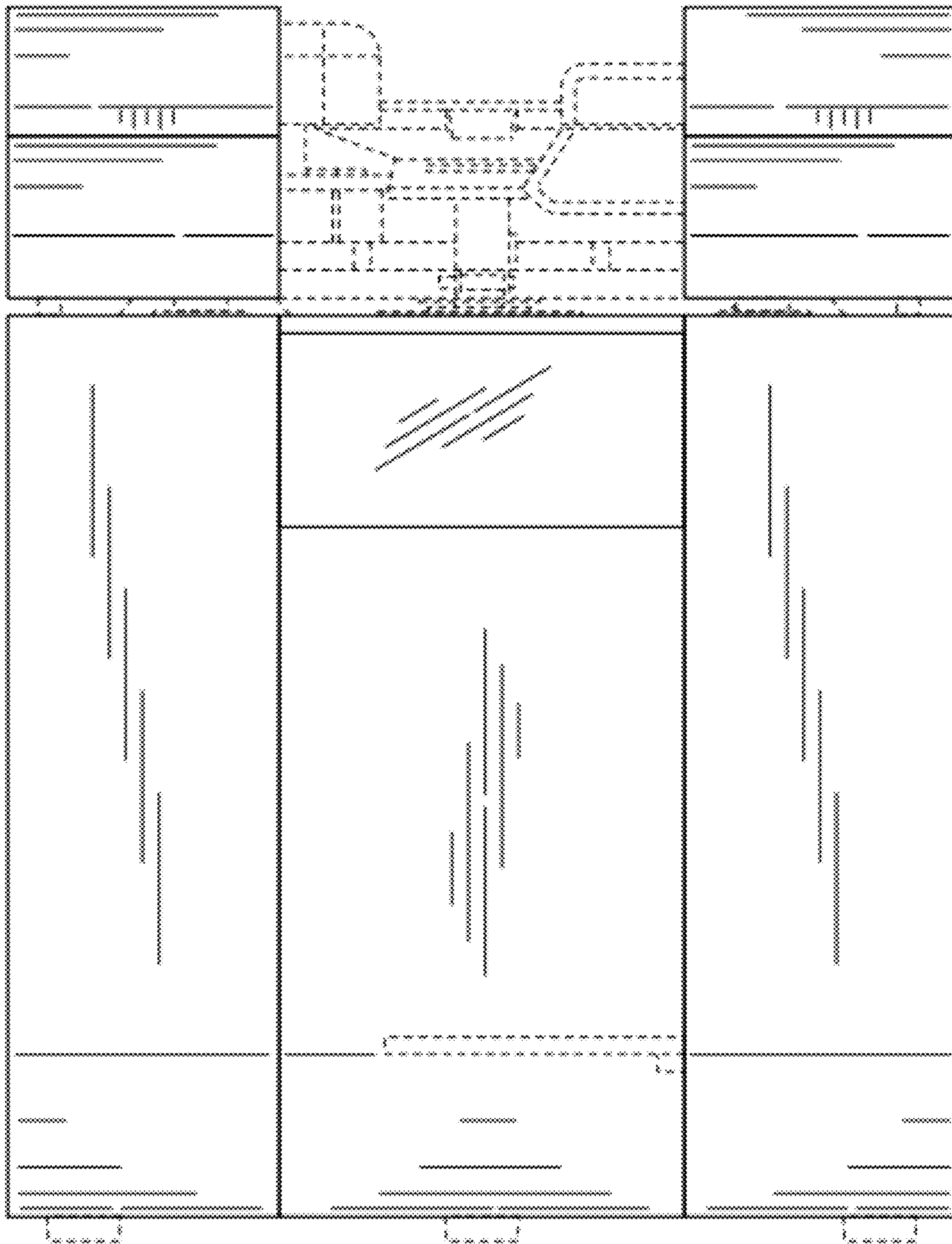


FIG. 2

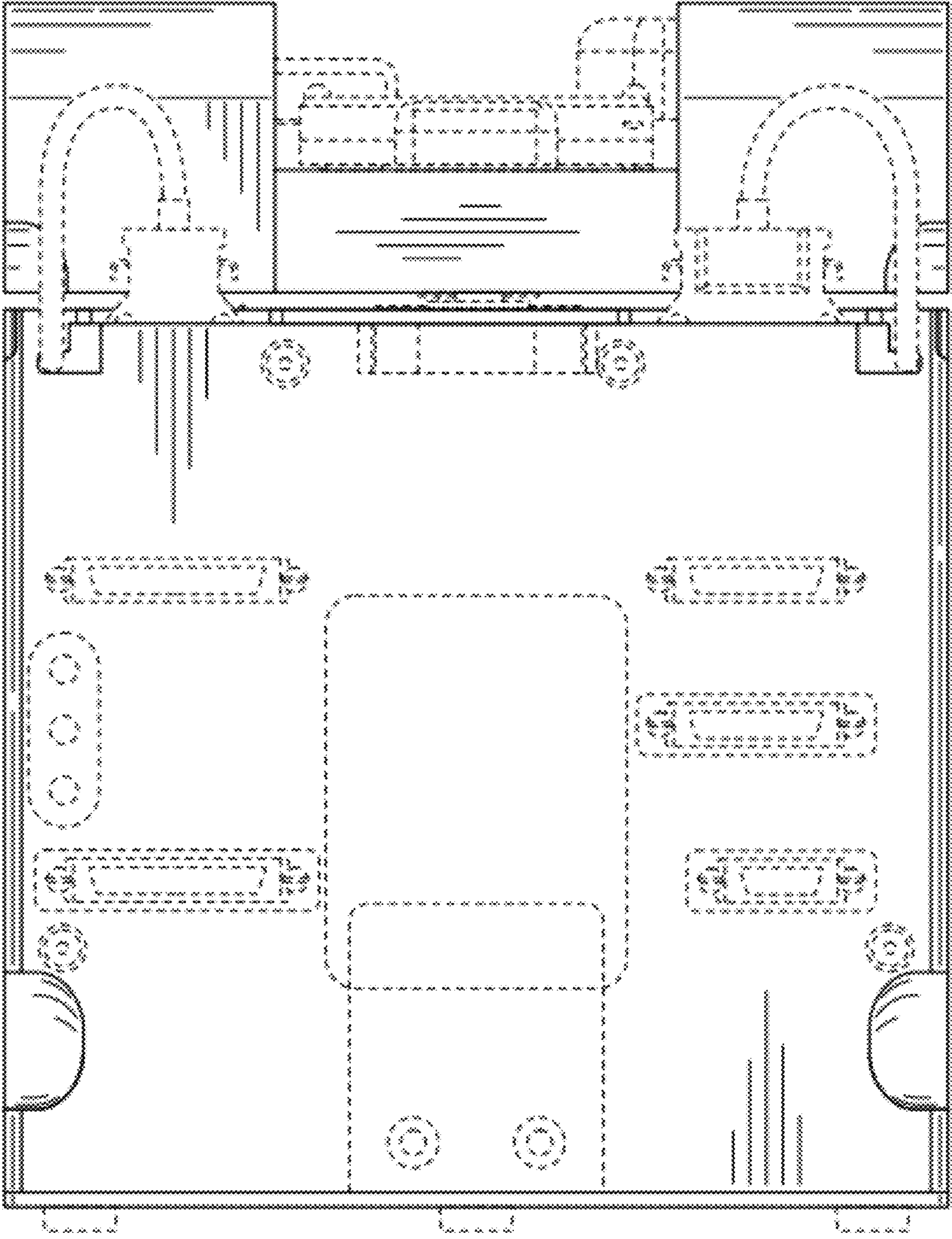


FIG. 3

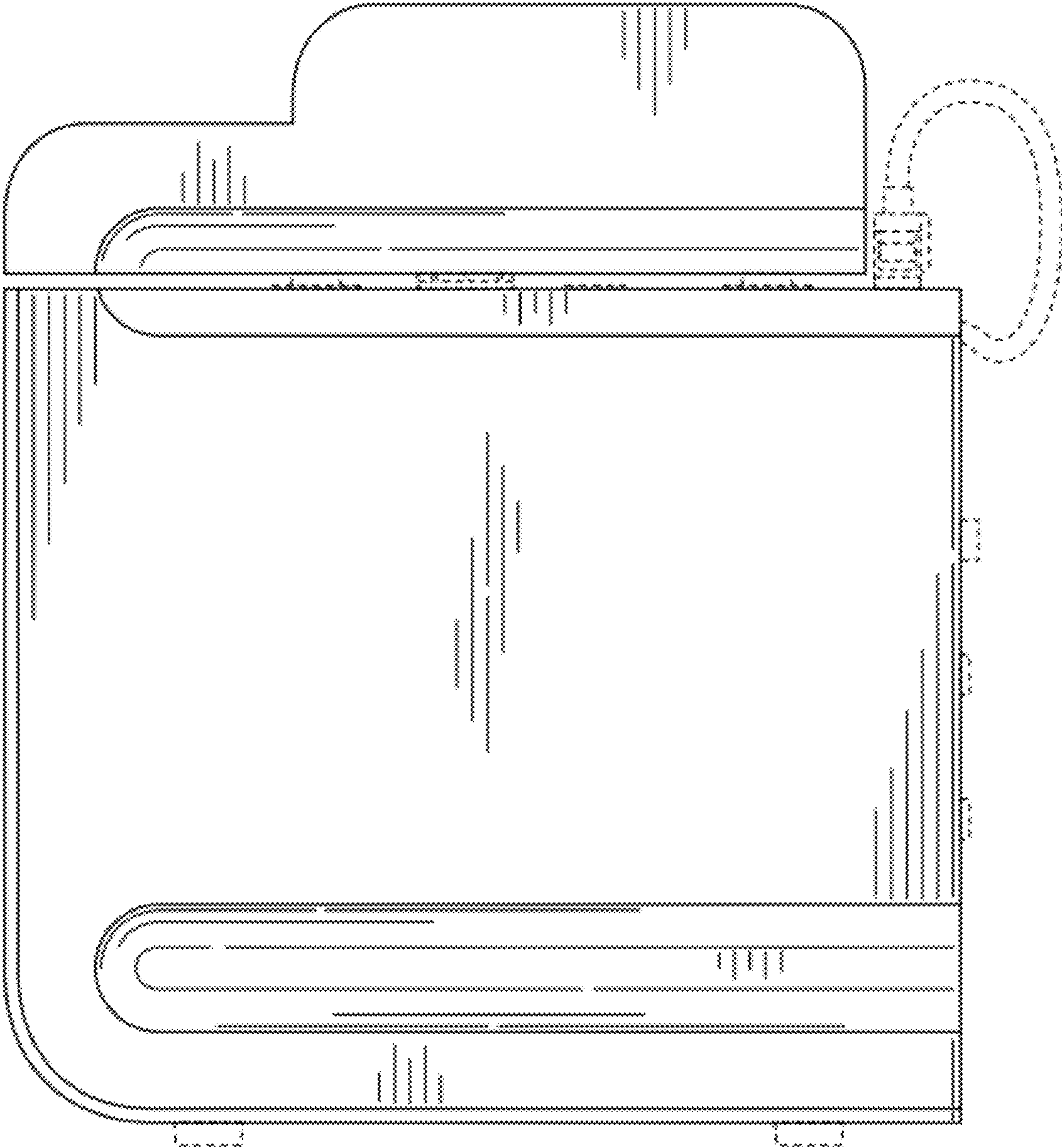


FIG. 4



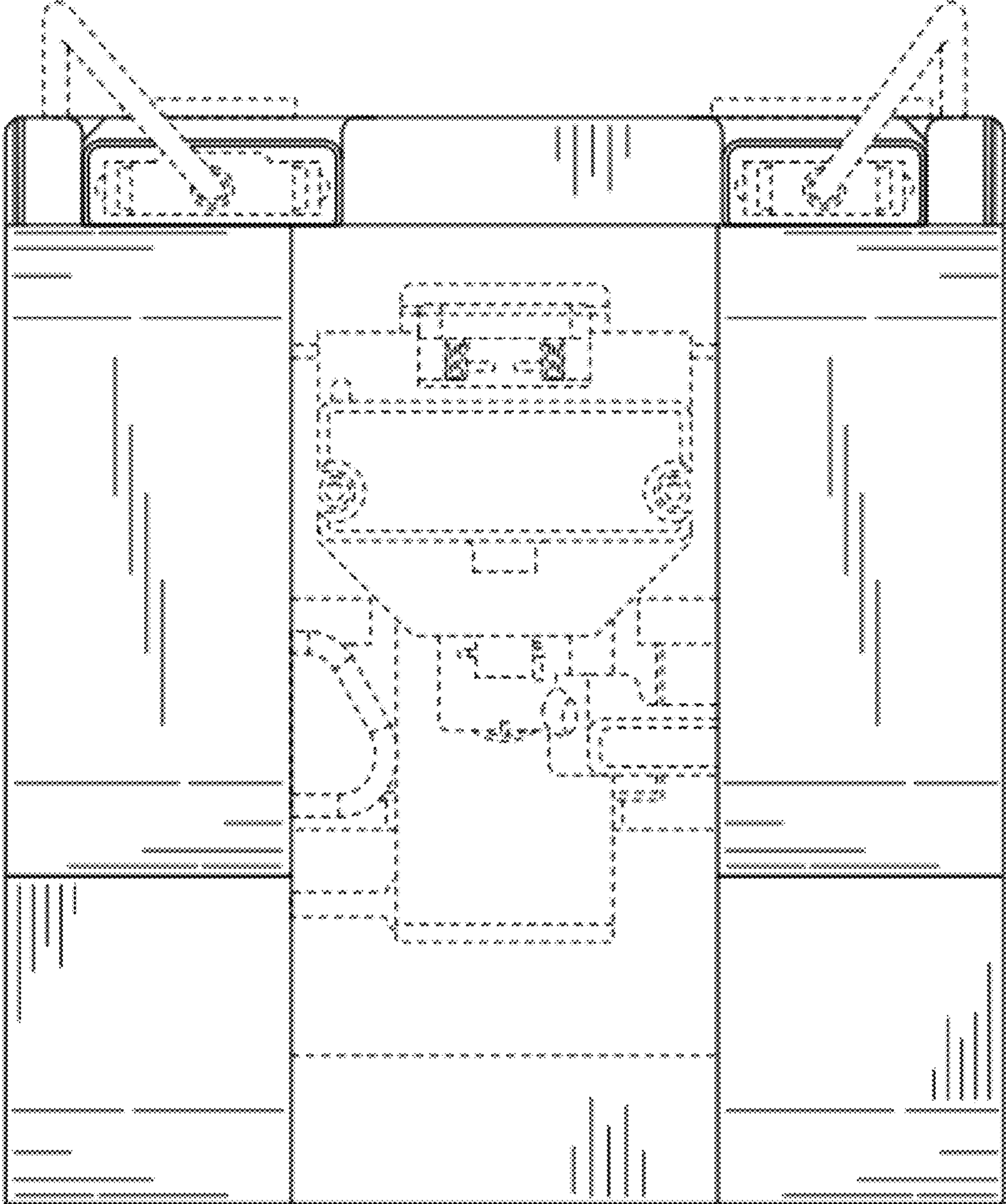


FIG. 5

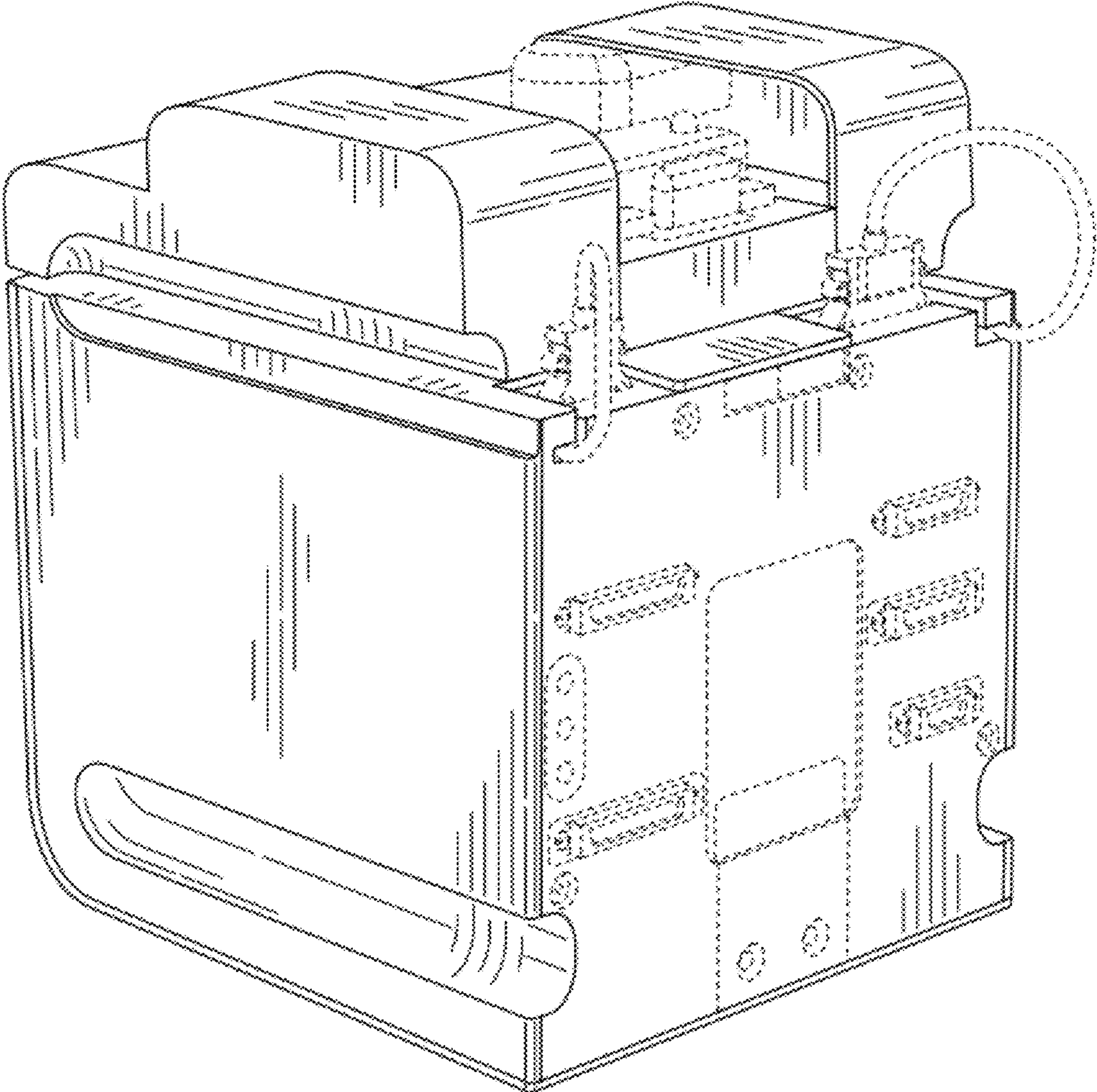


FIG. 6