



US00D674829S

(12) **United States Design Patent**
Andersson

(10) **Patent No.:** **US D674,829 S**
(45) **Date of Patent:** **** Jan. 22, 2013**

(54) **GEAR DRIVE**

(75) Inventor: **Jan Andersson**, Erlangen (DE)

(73) Assignee: **Siemens Geared Motors Gesellschaft mit beschränkter Haftung**, Tübingen (DE)

(**) Term: **14 Years**

(21) Appl. No.: **29/403,893**

(22) Filed: **Oct. 12, 2011**

(30) **Foreign Application Priority Data**

Apr. 12, 2011 (EM) 001270516

(51) **LOC (9) Cl.** **15-99**

(52) **U.S. Cl.** **D15/148**

(58) **Field of Classification Search** D15/5,
D15/148, 149, 199; 74/395, 464; 280/5.5-5.524;
427/249.19; 428/408; 475/83, 331-335,
475/344, 345, 901

See application file for complete search history.

(56) **References Cited**

U.S. PATENT DOCUMENTS

D368,919	S	*	4/1996	Lannoch	D15/148
D406,596	S	*	3/1999	Ziegler et al.	D15/148
D410,659	S	*	6/1999	Lannoch	D15/148
D414,790	S	*	10/1999	Lannoch	D15/148
D416,922	S	*	11/1999	Lannoch	D15/148
D417,229	S	*	11/1999	Lannoch	D15/148
6,432,022	B1	*	8/2002	Bayer	475/331
D479,541	S	*	9/2003	Lannoch	D15/148

D479,543	S	*	9/2003	Lannoch	D15/148
D479,725	S	*	9/2003	Lannoch	D15/148
D514,607	S	*	2/2006	Wittenstein	D15/148
D527,739	S	*	9/2006	De Luca et al.	D15/5
D529,059	S	*	9/2006	Lin	D15/148
7,182,709	B2	*	2/2007	Christ et al.	475/348
D571,837	S	*	6/2008	Lannoch	D15/148
D598,938	S	*	8/2009	Mijno	D15/148
D613,770	S	*	4/2010	Kitamura et al.	D15/7
D619,631	S	*	7/2010	Otsuka	D15/149
D654,092	S	*	2/2012	Lugli et al.	D15/5
2004/0166986	A1	*	8/2004	Bayer et al.	475/331

* cited by examiner

Primary Examiner — Patricia Palasik

(74) *Attorney, Agent, or Firm* — Henry M. Feiereisen, LLC

(57) **CLAIM**

The ornamental design for a gear drive, as shown and described.

DESCRIPTION

FIG. 1 is a front elevational view showing my new design;
FIG. 2 is a rear elevational view thereof;
FIG. 3 is a top plan view thereof;
FIG. 4 is bottom plan view thereof;
FIG. 5 is a left side elevational view thereof;
FIG. 6 is a right side elevational view thereof;
FIG. 7 is front, top and right side perspective view thereof;
and,
FIG. 8 is a left side, front and bottom perspective view thereof.

1 Claim, 8 Drawing Sheets

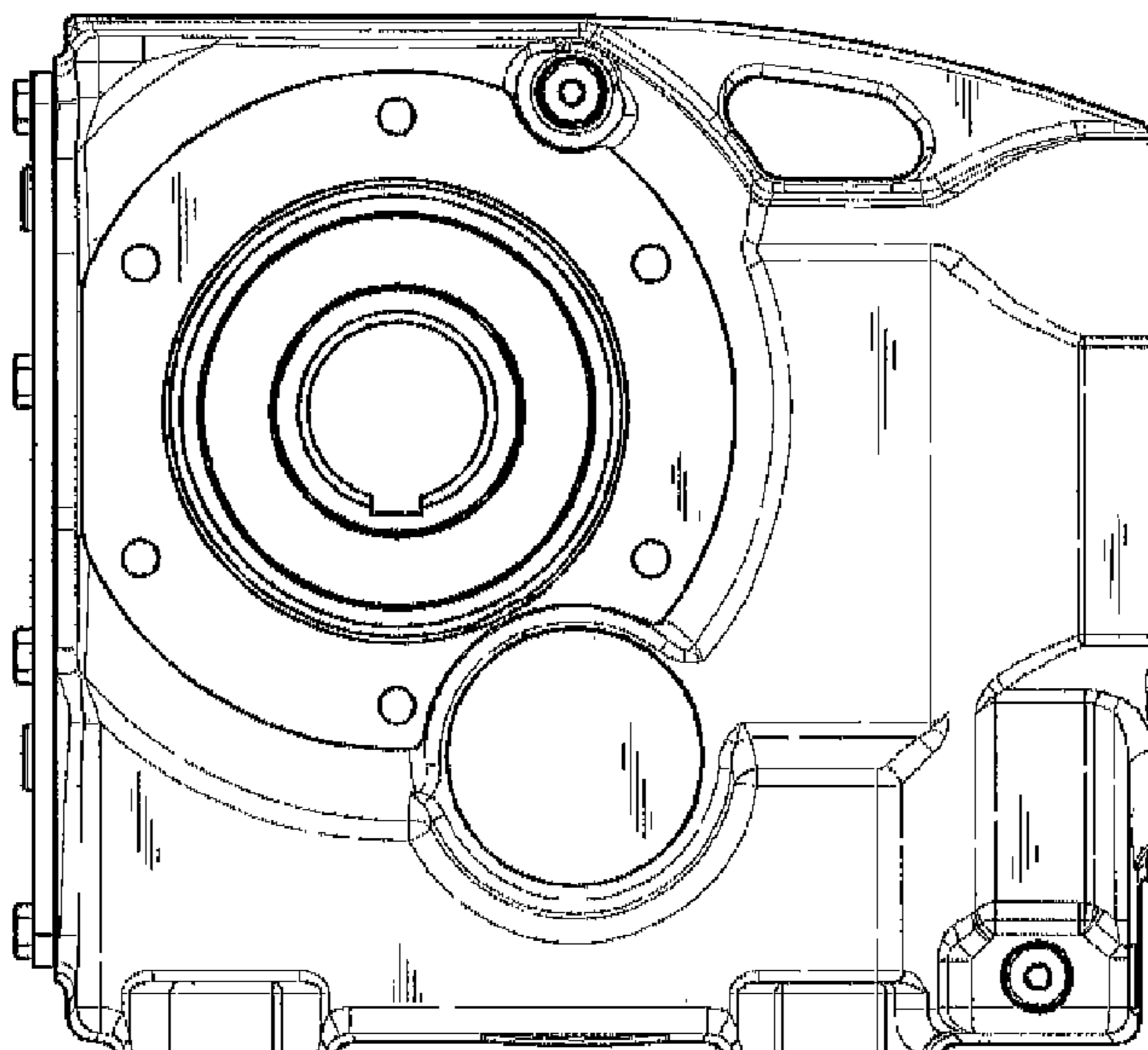


FIG 1

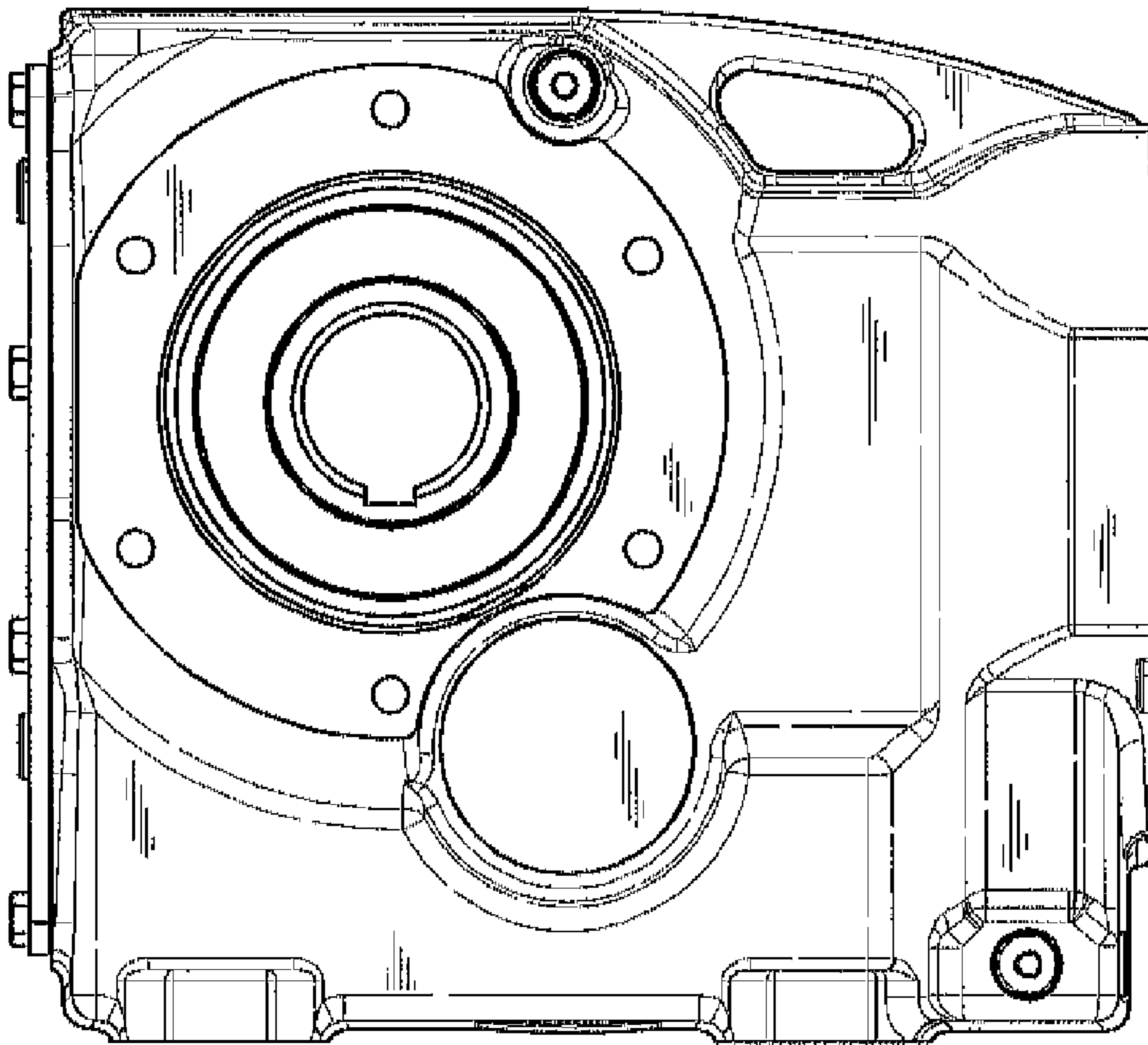


FIG 2

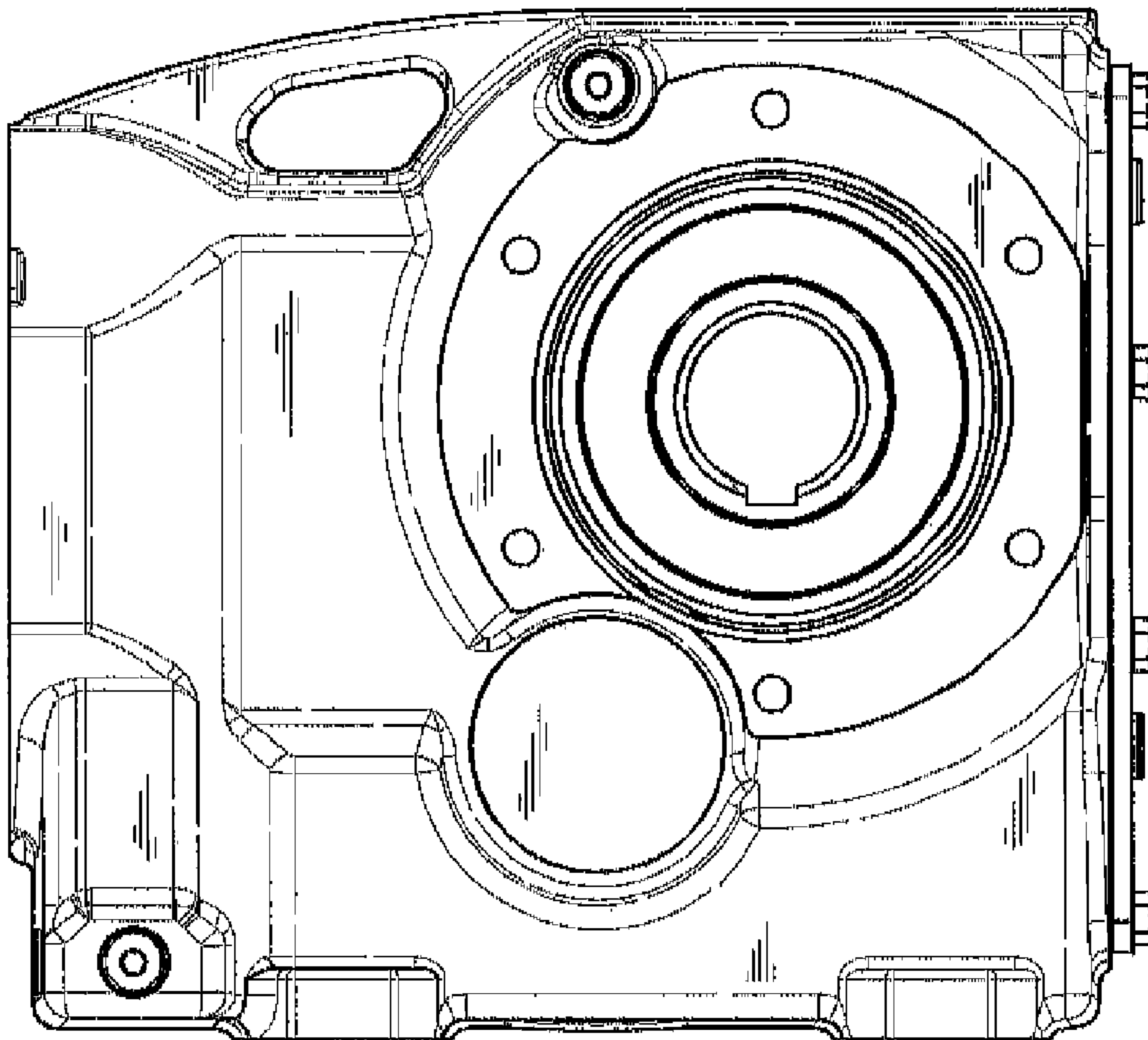


FIG 3

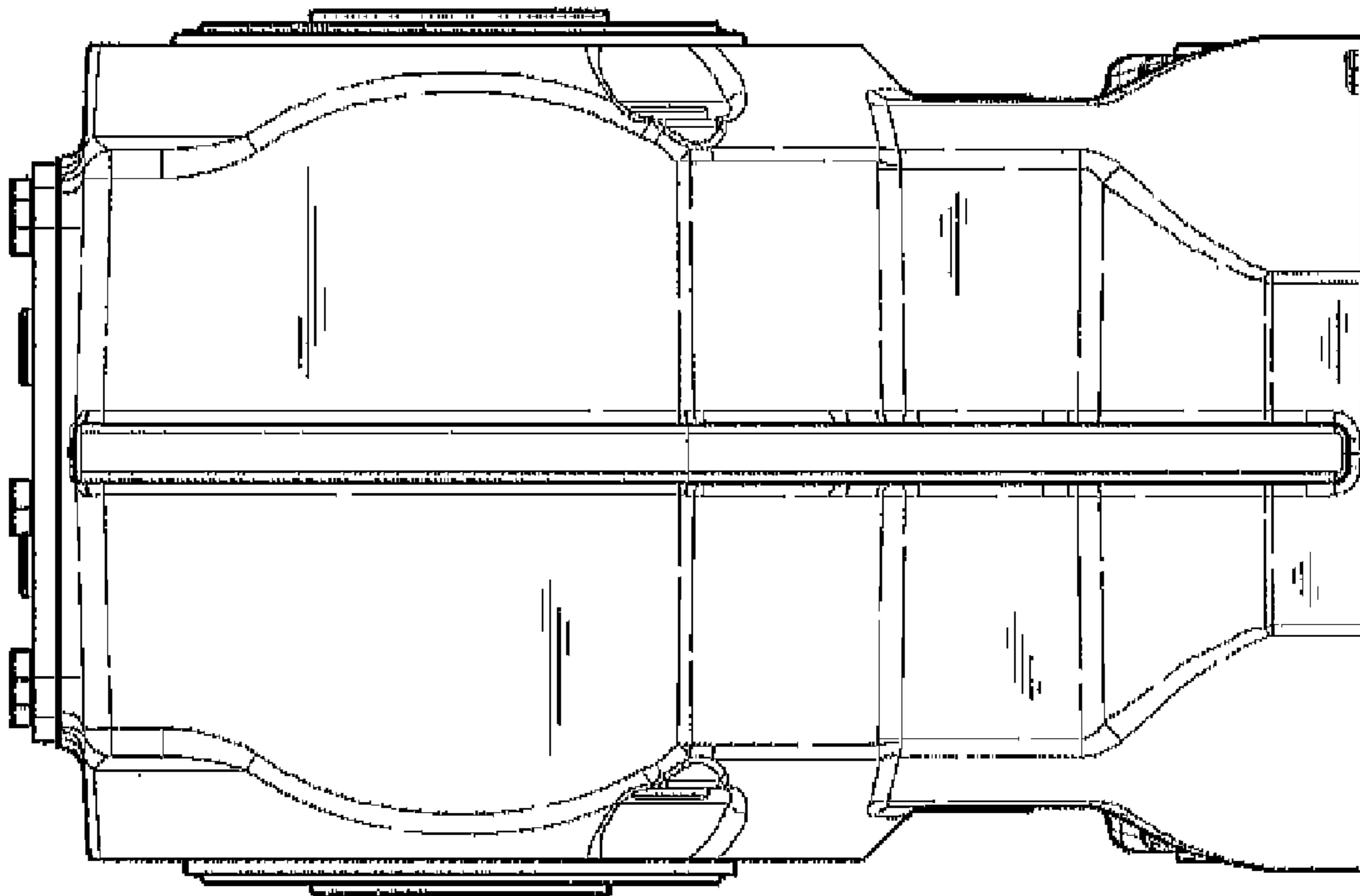


FIG 4

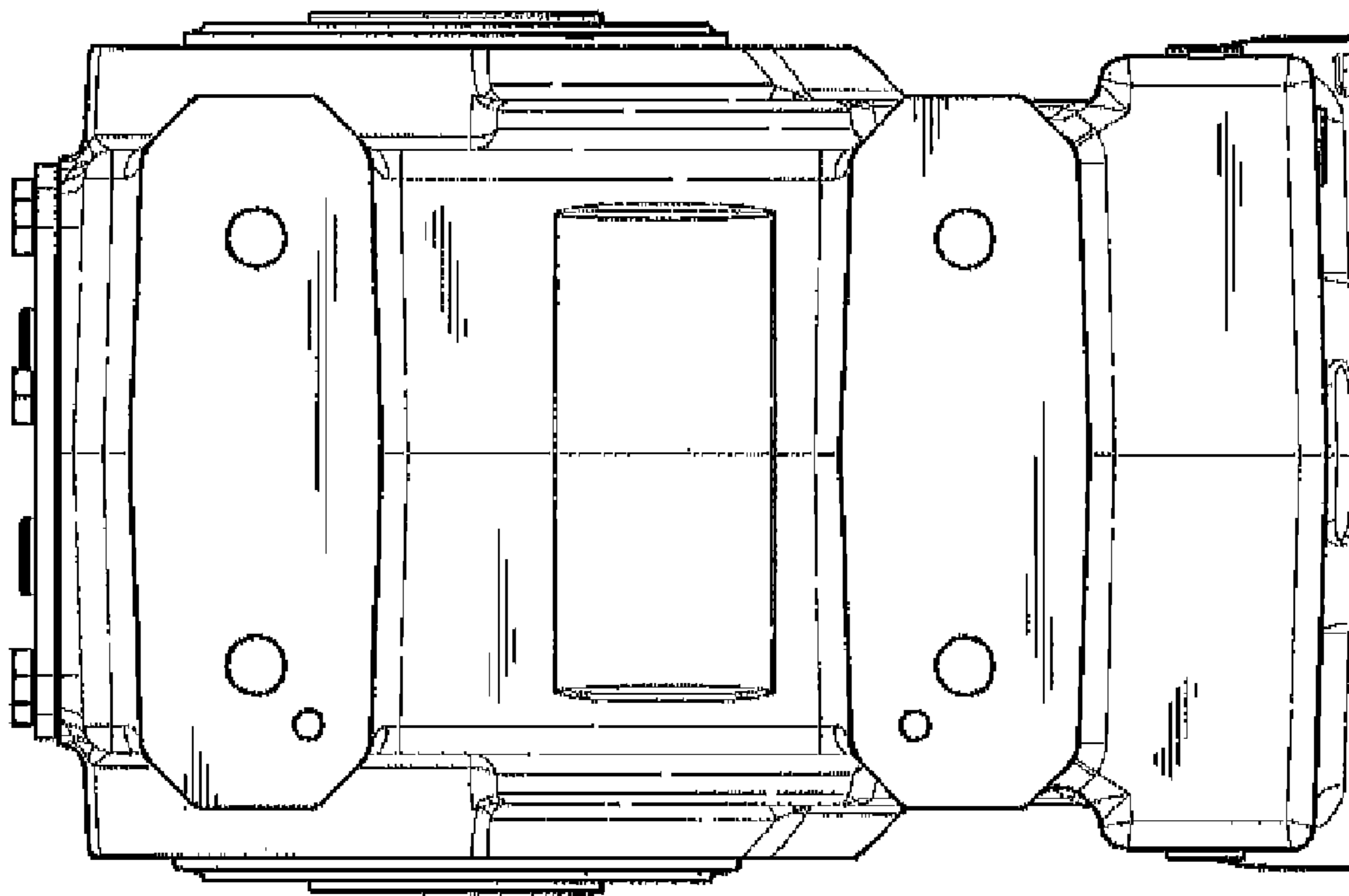


FIG 5

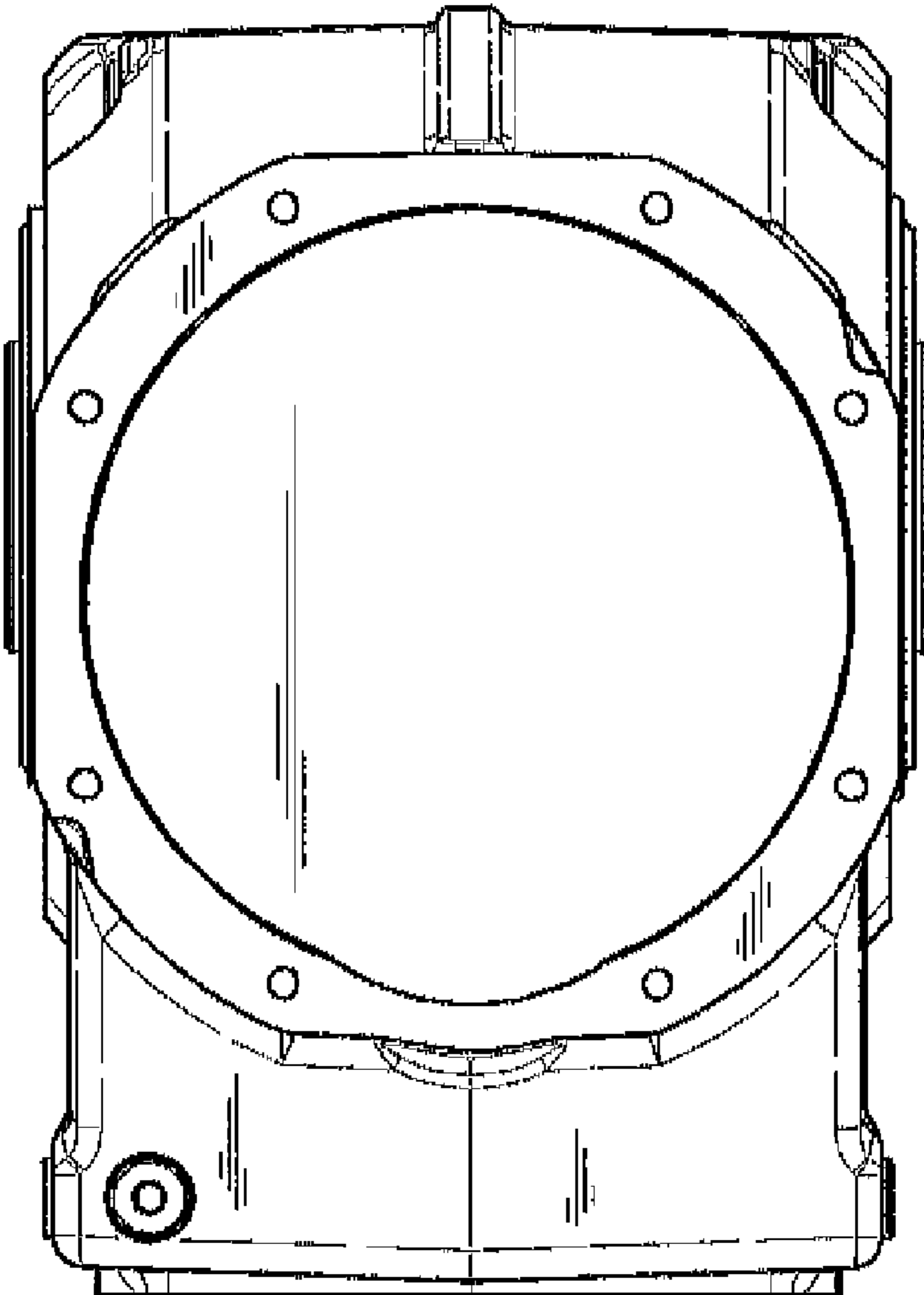


FIG 6

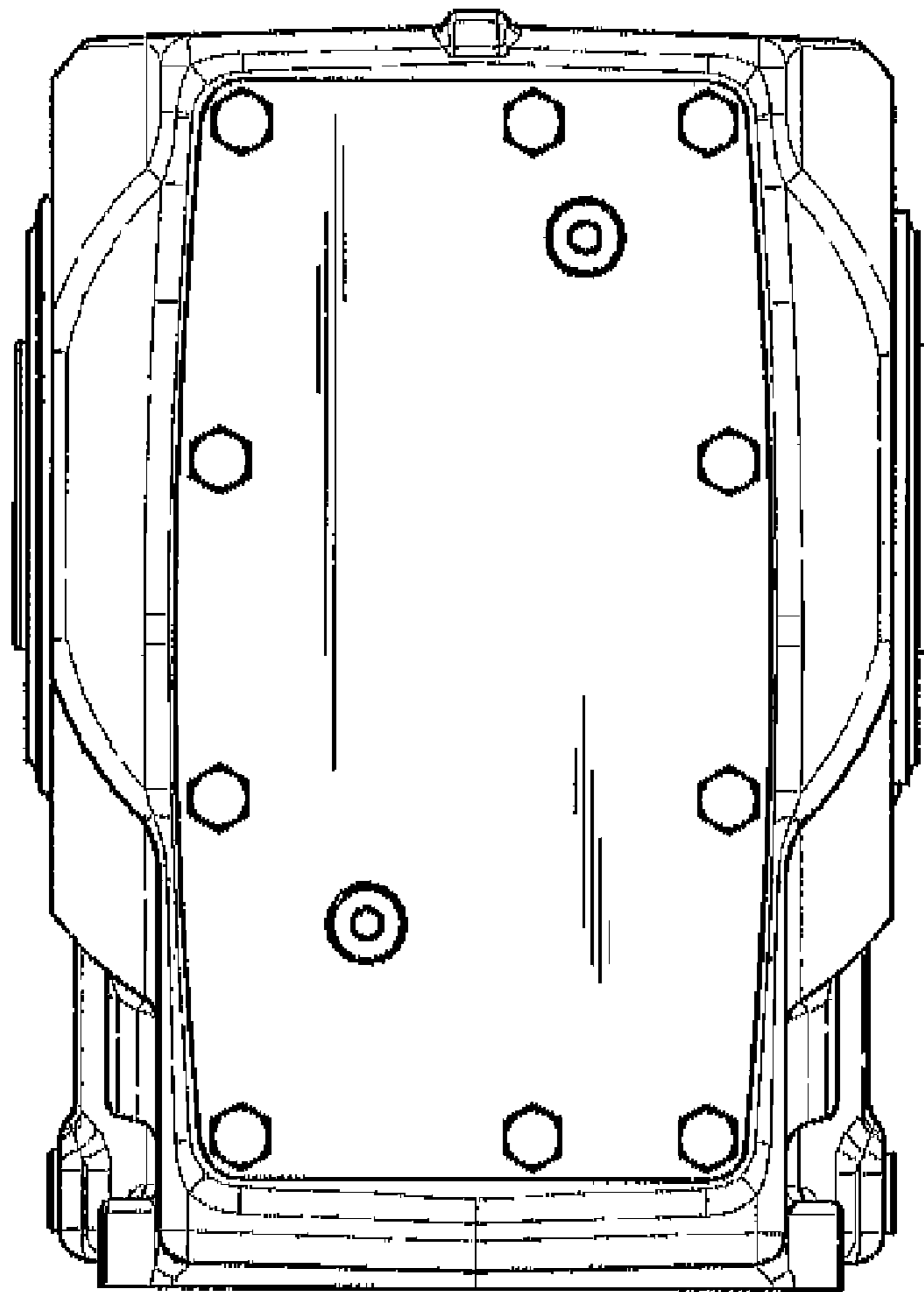


FIG 7

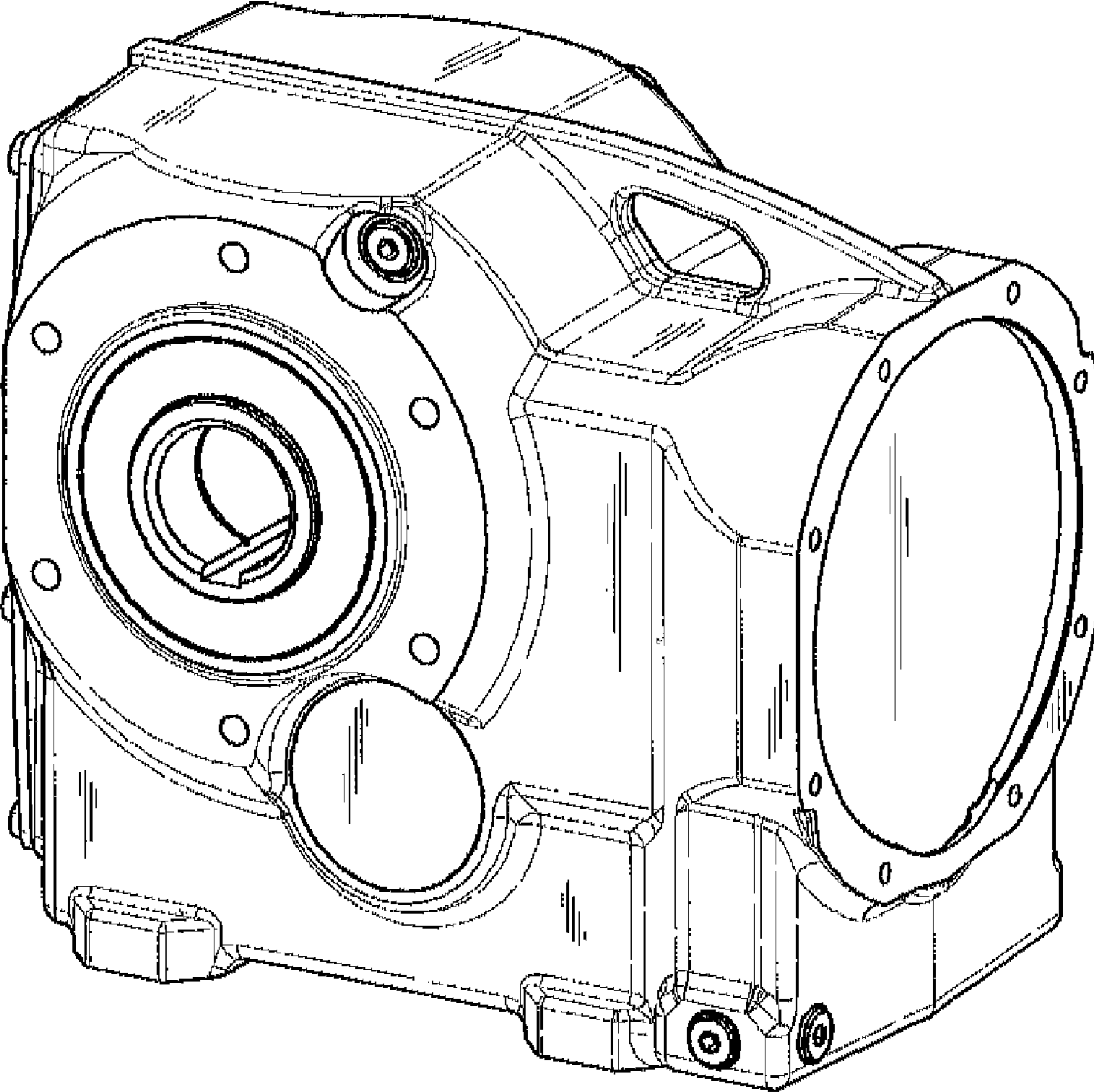
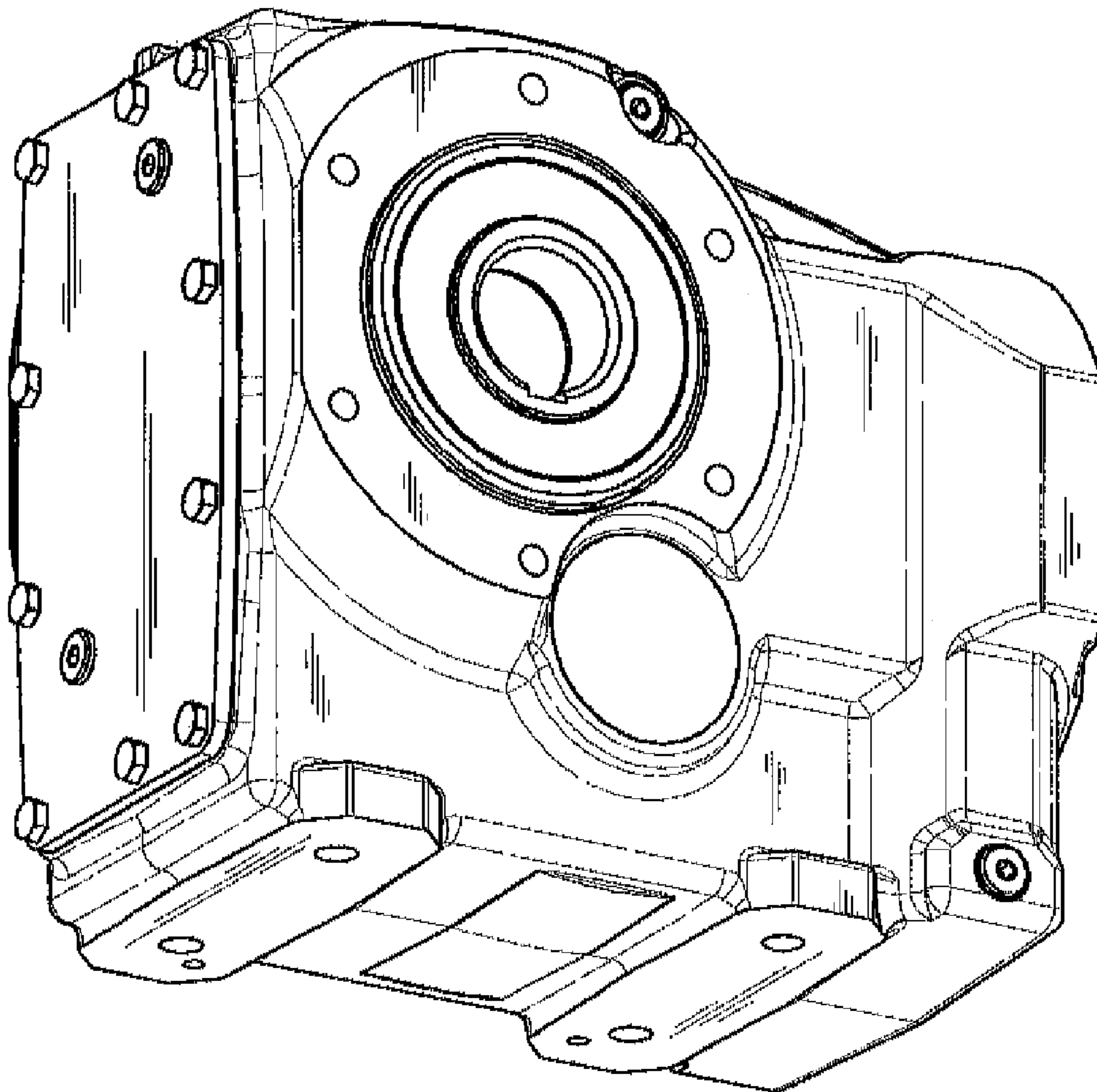


FIG 8



UNITED STATES PATENT AND TRADEMARK OFFICE
CERTIFICATE OF CORRECTION

PATENT NO. : D674,829 S
APPLICATION NO. : 29/403893
DATED : January 22, 2013
INVENTOR(S) : Andersson

Page 1 of 1

It is certified that error appears in the above-identified patent and that said Letters Patent is hereby corrected as shown below:

On the title page, item [73]

Delete "SIEMENS GEARED MOTORS GESELLSCHAFT MBH, TÜBINGEN, GERMANY" and
insert --SIEMENS AKTIENGESELLSCHAFT, MÜNCHEN, GERMANY--.

Signed and Sealed this
Twenty-fifth Day of February, 2014



Michelle K. Lee
Deputy Director of the United States Patent and Trademark Office