



US00D674825S

(12) **United States Design Patent**
Lamouree et al.

(10) **Patent No.:** **US D674,825 S**

(45) **Date of Patent:** **** Jan. 22, 2013**

(54) **LINEAR MOTOR**

(75) Inventors: **John Lamouree**, East Patchogue, NY (US); **Jonathan Culp**, Mastic Beach, NY (US)

(73) Assignee: **Rockwell Automation Technologies, Inc.**, Mayfield Heights, OH (US)

(**) Term: **14 Years**

(21) Appl. No.: **29/418,294**

(22) Filed: **Apr. 13, 2012**

(51) **LOC (9) Cl.** **15-09**

(52) **U.S. Cl.** **D15/143**

(58) **Field of Classification Search** D13/147,
D13/148, 158; D15/5, 143, 148, 199; D23/233;
74/89.15, 411.5, 490.09; 297/14, 325, 327;
310/20, 80; 319/80; 414/560-569
See application file for complete search history.

(56) **References Cited**

U.S. PATENT DOCUMENTS

D375,965 S *	11/1996	Shiino et al.	D15/143
D378,214 S *	2/1997	Ikumi	D15/7
D399,491 S *	10/1998	Nagai et al.	D13/158
D407,409 S *	3/1999	Masuda et al.	D15/5
D412,917 S *	8/1999	Nagai et al.	D15/199
D413,129 S *	8/1999	Nagai et al.	D15/199
D611,514 S *	3/2010	Fukano et al.	D15/143

D624,572 S *	9/2010	Fukano et al.	D15/143
D636,799 S *	4/2011	Fukano et al.	D15/143
D656,169 S *	3/2012	Fukano et al.	D15/143
D657,406 S *	4/2012	Saito	D15/143
2005/0011291 A1 *	1/2005	Nagai et al.	74/89.32

* cited by examiner

Primary Examiner — Patricia Palasik

(74) *Attorney, Agent, or Firm* — Fletcher Yoder, P.C.; R. Scott Speroff; John M. Miller

(57) **CLAIM**

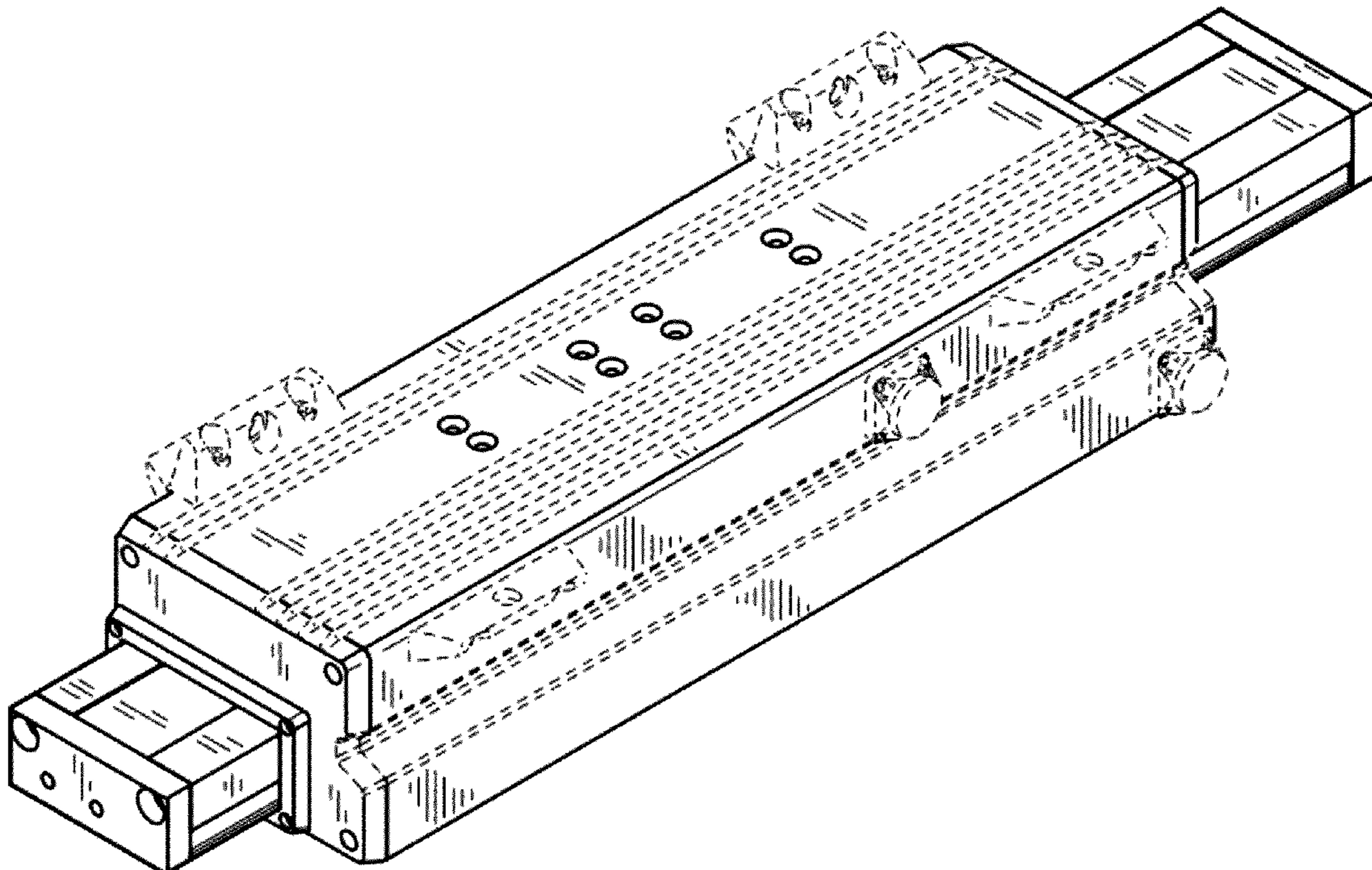
The ornamental design for a linear motor, as shown and described.

DESCRIPTION

FIG. 1 is a perspective view of the ornamental design for the linear motor;
FIG. 2 is a right side view of the linear motor of FIG. 1;
FIG. 3 is a left side view of the linear motor of FIG. 1;
FIG. 4 is a top view of the linear motor of FIG. 1;
FIG. 5 is a bottom view of the linear motor of FIG. 1;
FIG. 6 is a front view of the linear motor of FIG. 1; and,
FIG. 7 is a rear view of the linear motor of FIG. 1.

In these drawings, the solid lines illustrate the claimed ornamental design, whereas the broken lines illustrate environmental features that form no part of the claimed ornamental design.

1 Claim, 4 Drawing Sheets



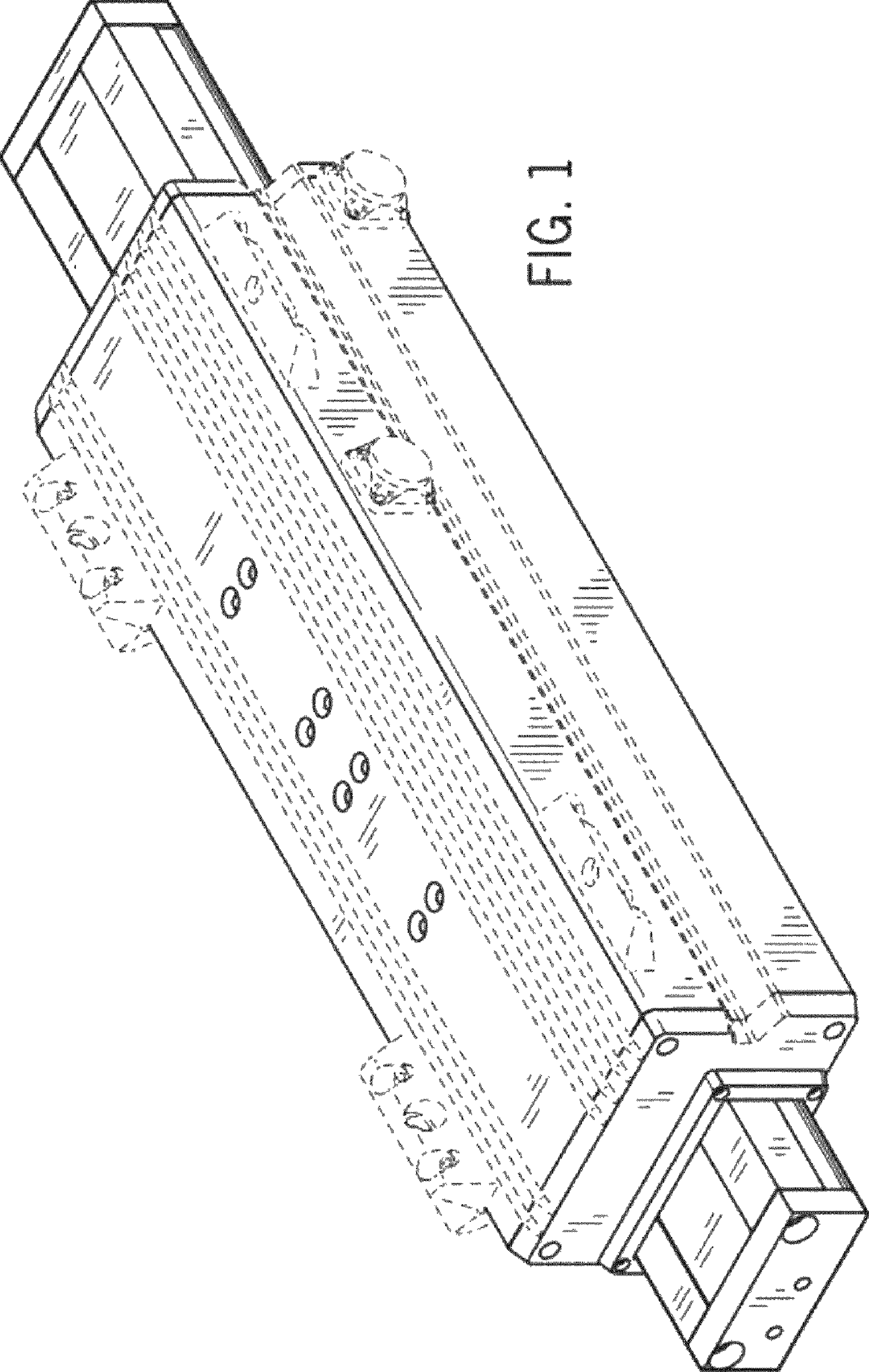


FIG. 1

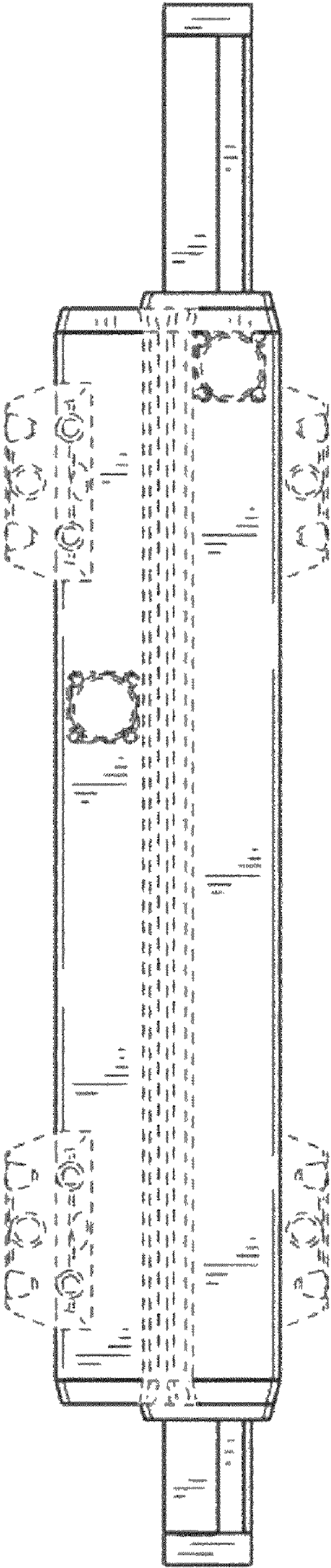


FIG. 2

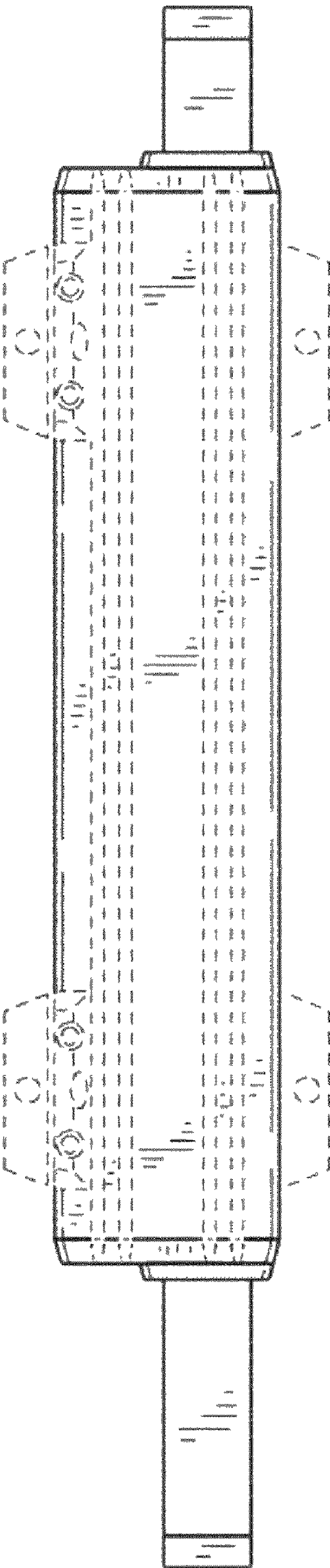


FIG. 3

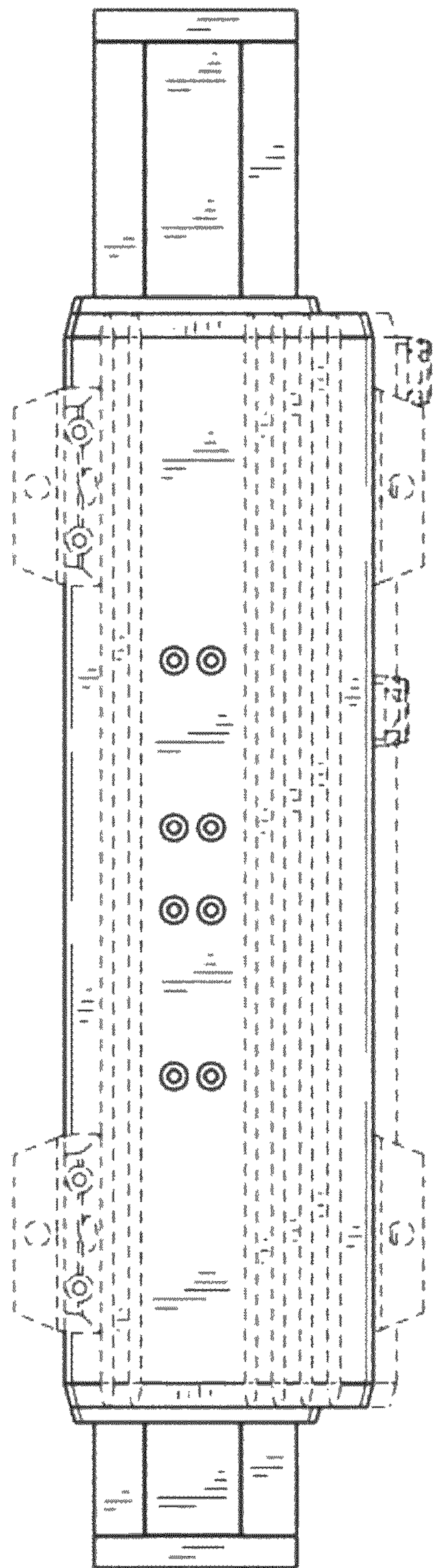


FIG. 4

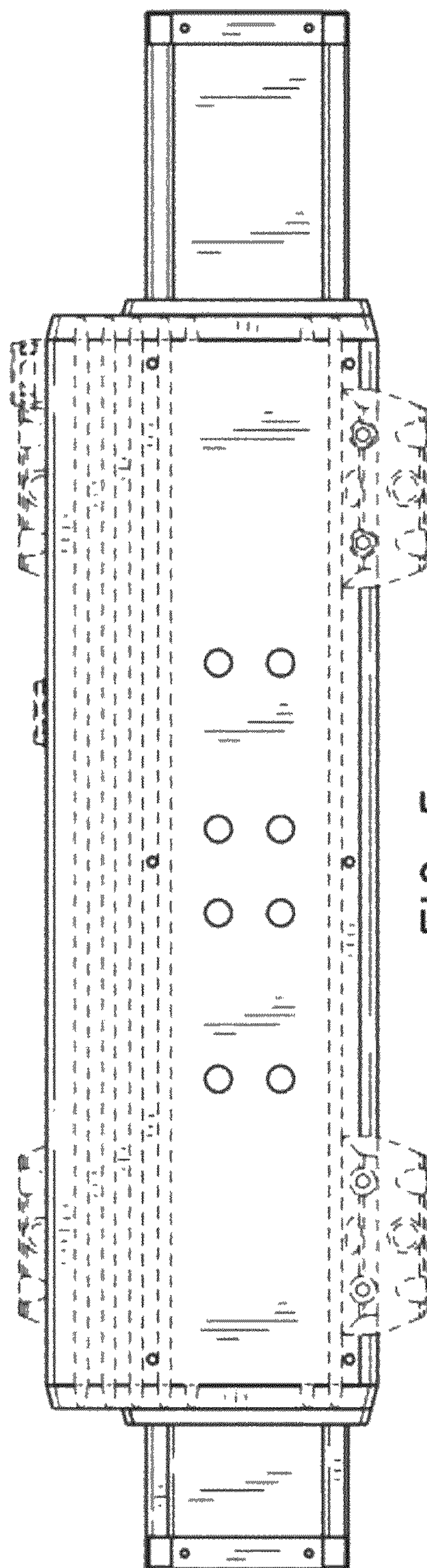


FIG. 5

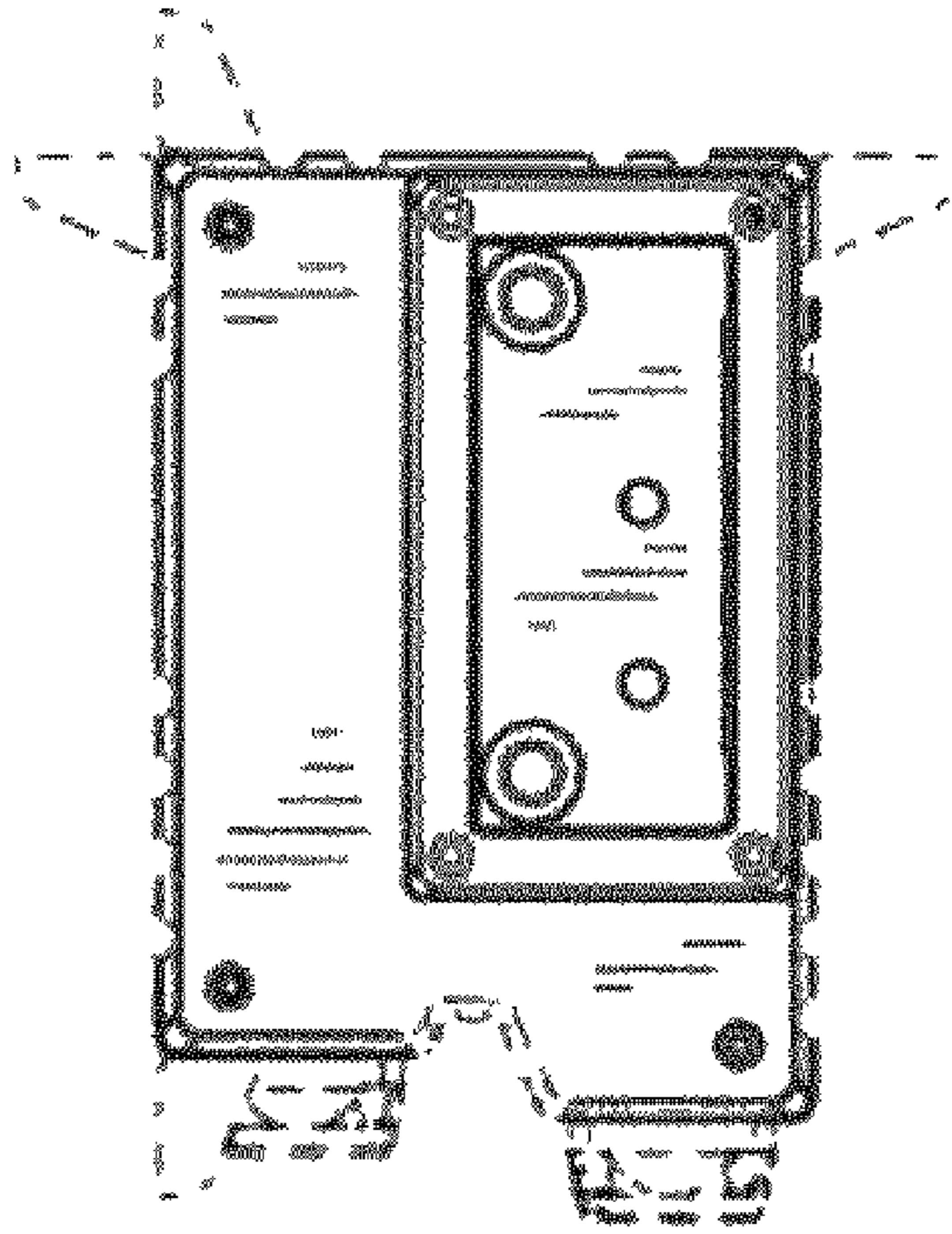


FIG. 6

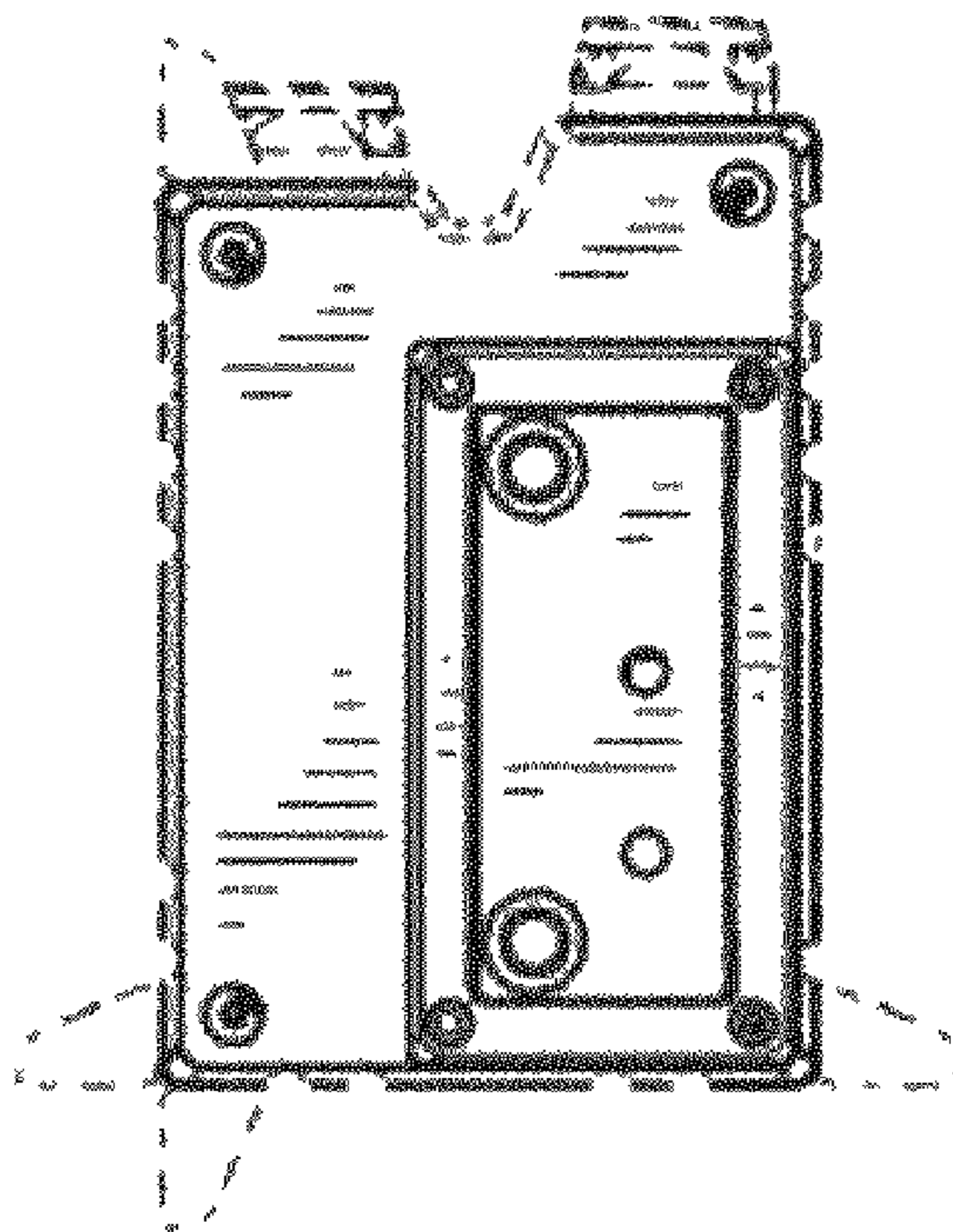


FIG. 7