



US00D674822S

(12) **United States Design Patent**
Ugumori

(10) **Patent No.:** **US D674,822 S**
(45) **Date of Patent:** **** Jan. 22, 2013**

(54) **COOLANT TANK**

(75) Inventor: **Tsutomu Ugumori**, Tsukubamirai (JP)

(73) Assignee: **SMC Corporation**, Chiyoda-ku, Tokyo (JP)

(**) Term: **14 Years**

(21) Appl. No.: **29/407,233**

(22) Filed: **Nov. 24, 2011**

(30) **Foreign Application Priority Data**

Sep. 1, 2011 (JP) 2011-019874

(51) **LOC (9) Cl.** **15-07**

(52) **U.S. Cl.** **D15/79**

(58) **Field of Classification Search** D15/79,
D15/81, 83; 62/3.1-3.7, 177, 371, 457.9,
62/384

See application file for complete search history.

(56) **References Cited**

U.S. PATENT DOCUMENTS

3,214,937 A * 11/1965 Cannon et al. 62/384
D394,499 S * 5/1998 Bettag et al. D15/79
6,449,958 B1 * 9/2002 Foye 62/3.2

D562,359 S * 2/2008 Schreuder et al. D15/81
D585,464 S * 1/2009 Miyabayashi et al. D15/83
7,748,223 B2 * 7/2010 Minoura 62/3.6
D660,884 S * 5/2012 Wezner D15/79

* cited by examiner

Primary Examiner — Mitchell Siegel

(74) *Attorney, Agent, or Firm* — Yokoi & Co., U.S.A., Inc.;
Toshiyuki Yokoi

(57) **CLAIM**

The ornamental design for a coolant tank, as shown and described.

DESCRIPTION

FIG. 1 shows a front view of a coolant tank showing my new design;
FIG. 2 shows a rear view thereof;
FIG. 3 shows a right side view thereof;
FIG. 4 shows a left side view thereof;
FIG. 5 shows a top view thereof;
FIG. 6 shows a bottom view thereof;
FIG. 7 shows a top, front and left side perspective view thereof; and,
FIG. 8 shows a top, rear and right side perspective view thereof.

1 Claim, 8 Drawing Sheets

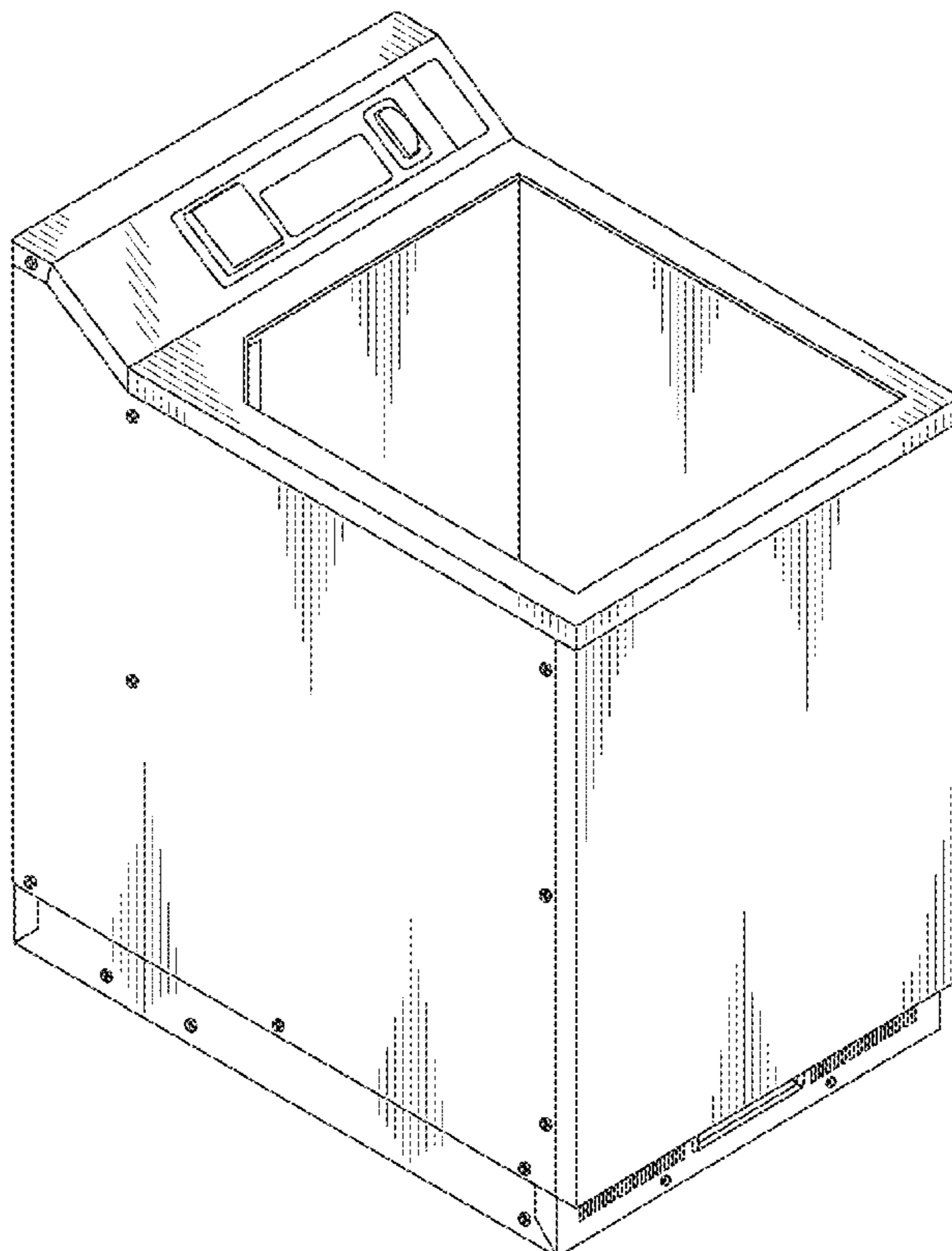


FIG. 1

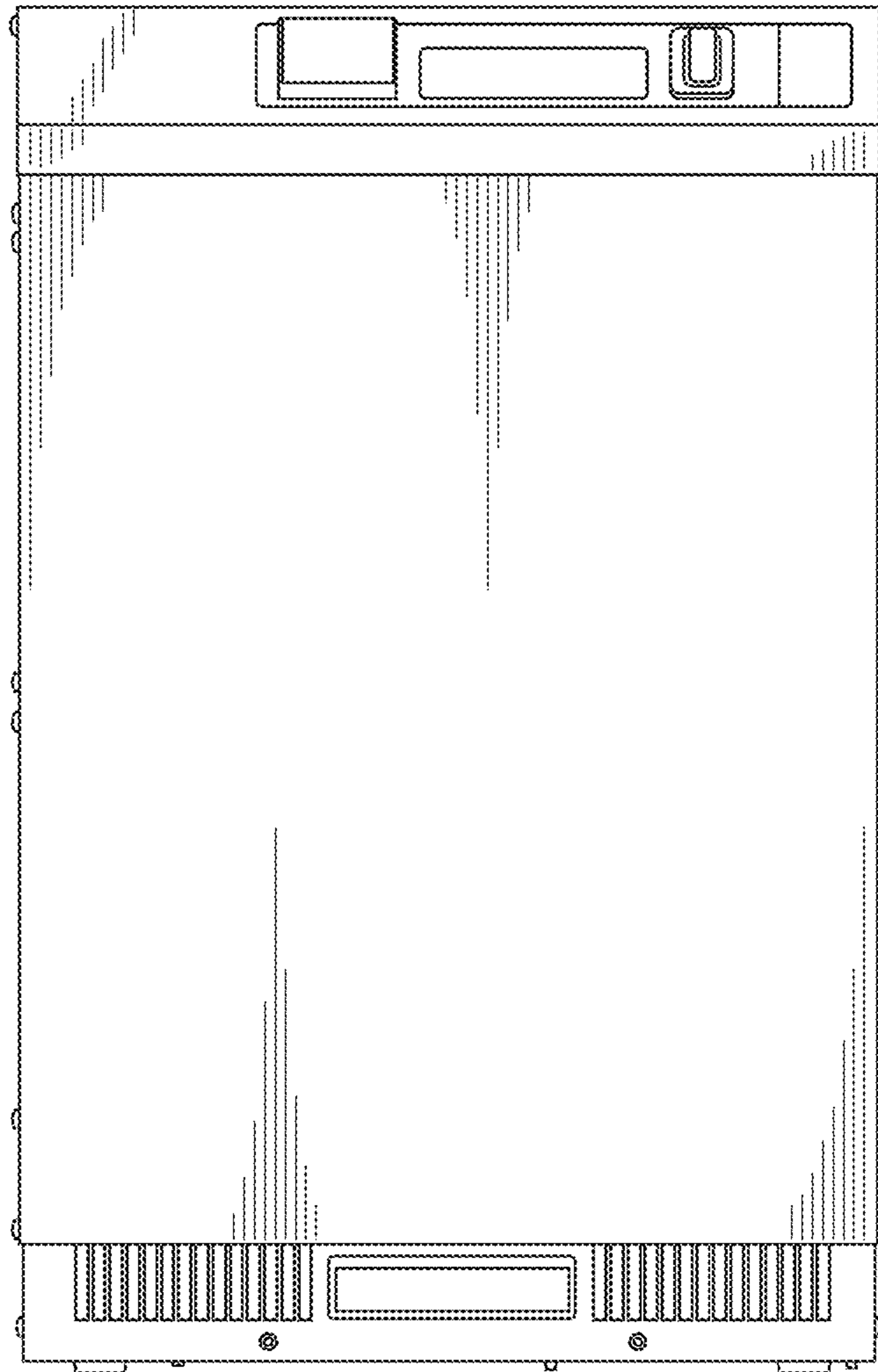


FIG. 2

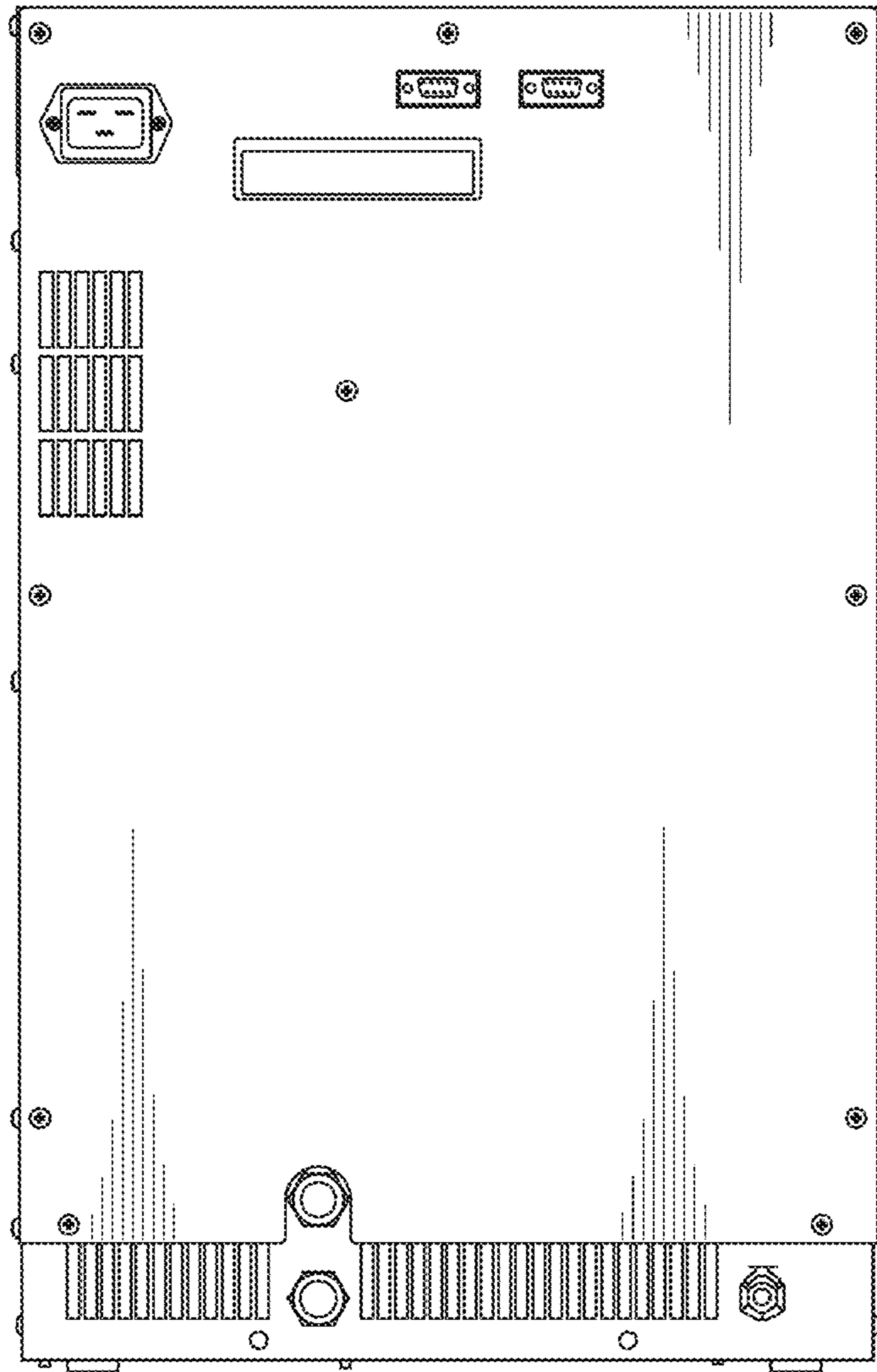


FIG. 3

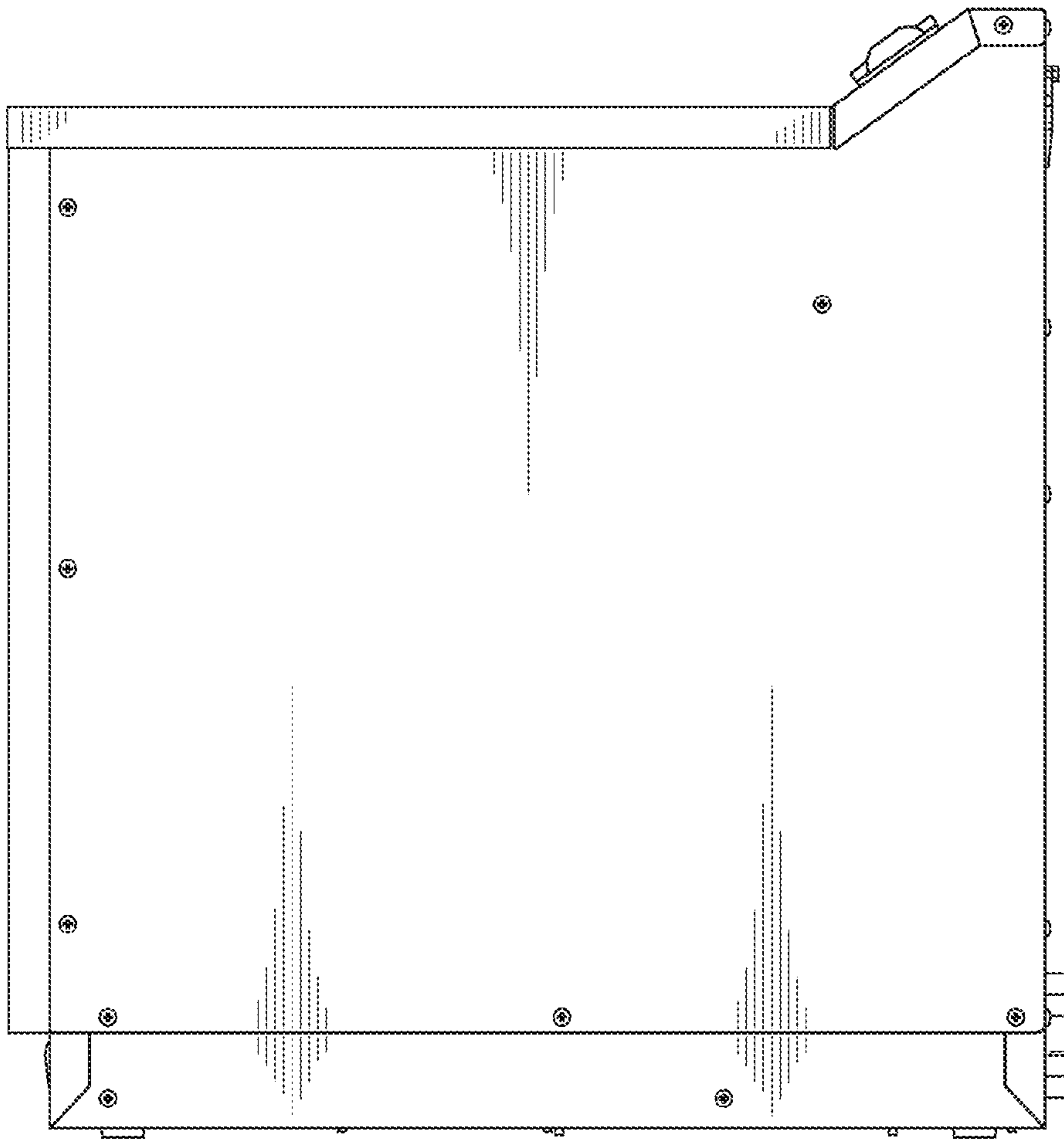


FIG. 4

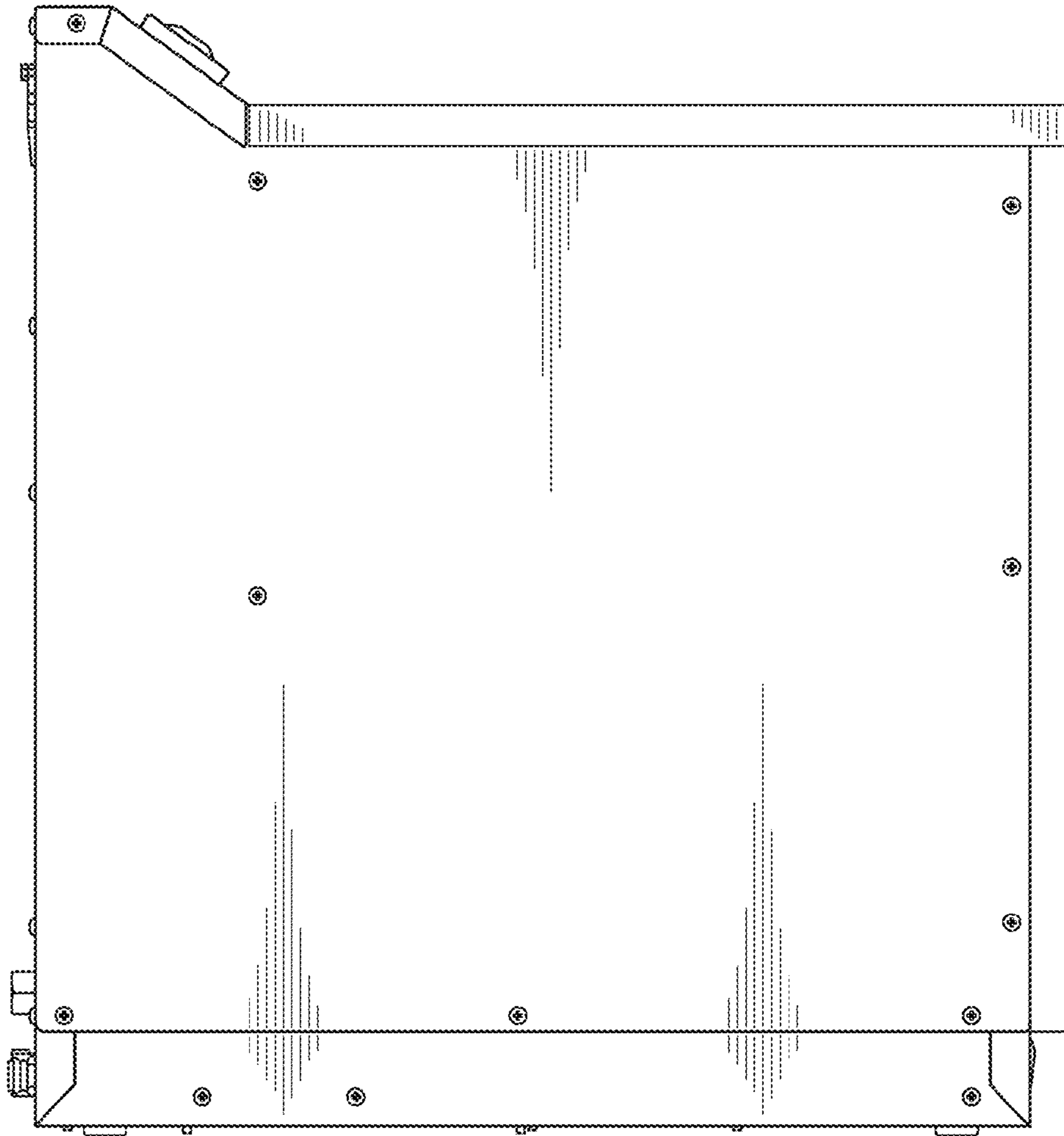


FIG. 5

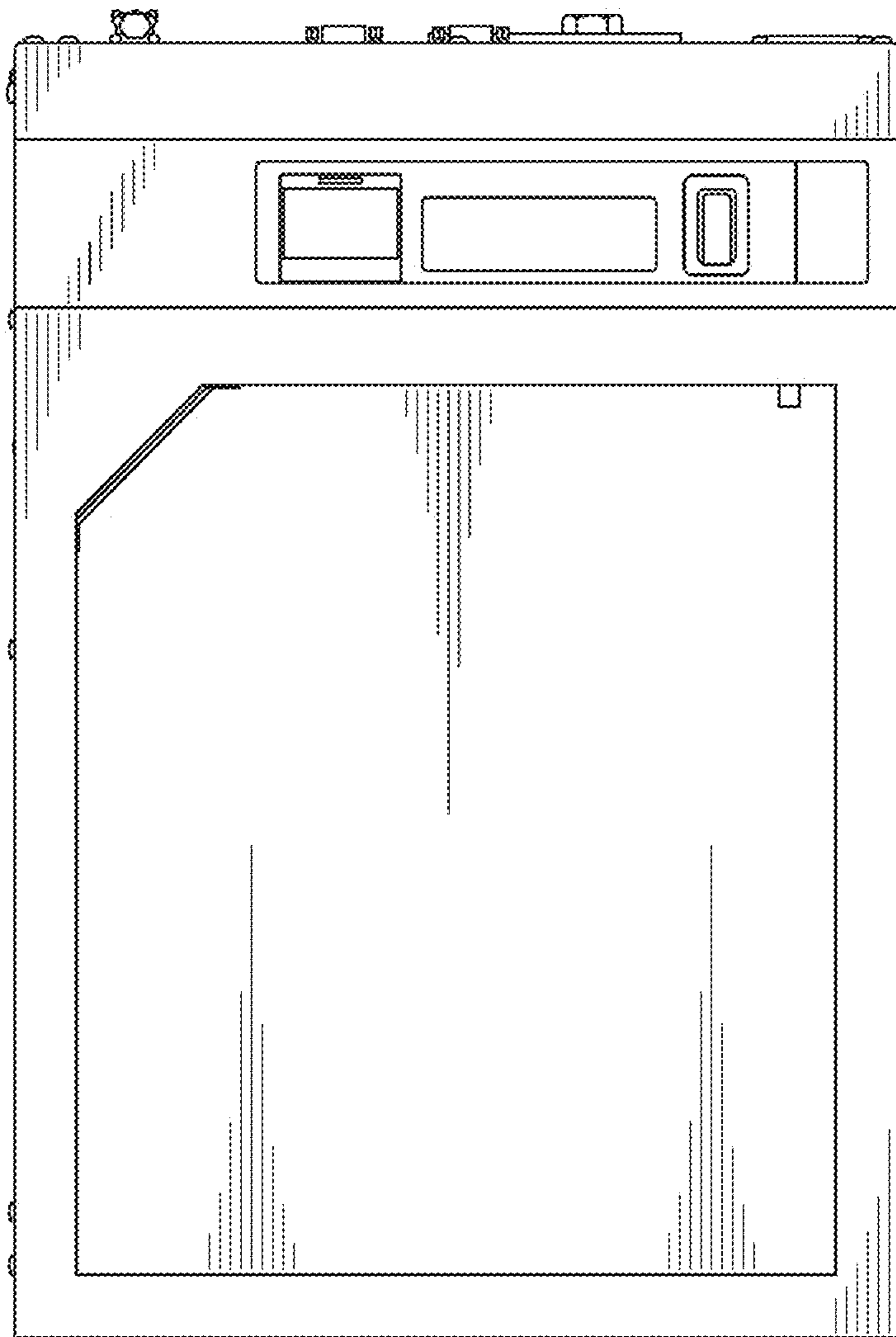


FIG. 6

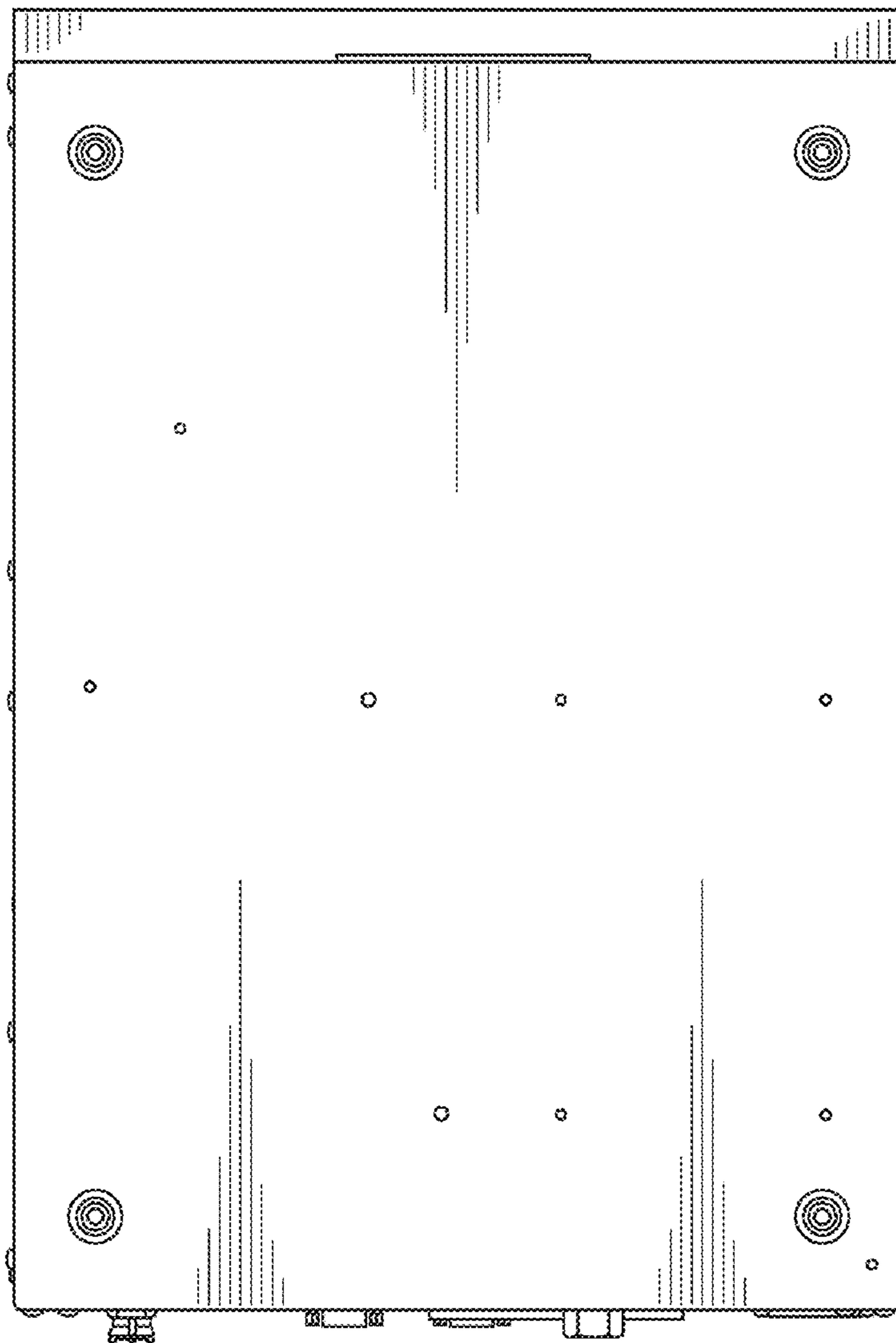


FIG. 7

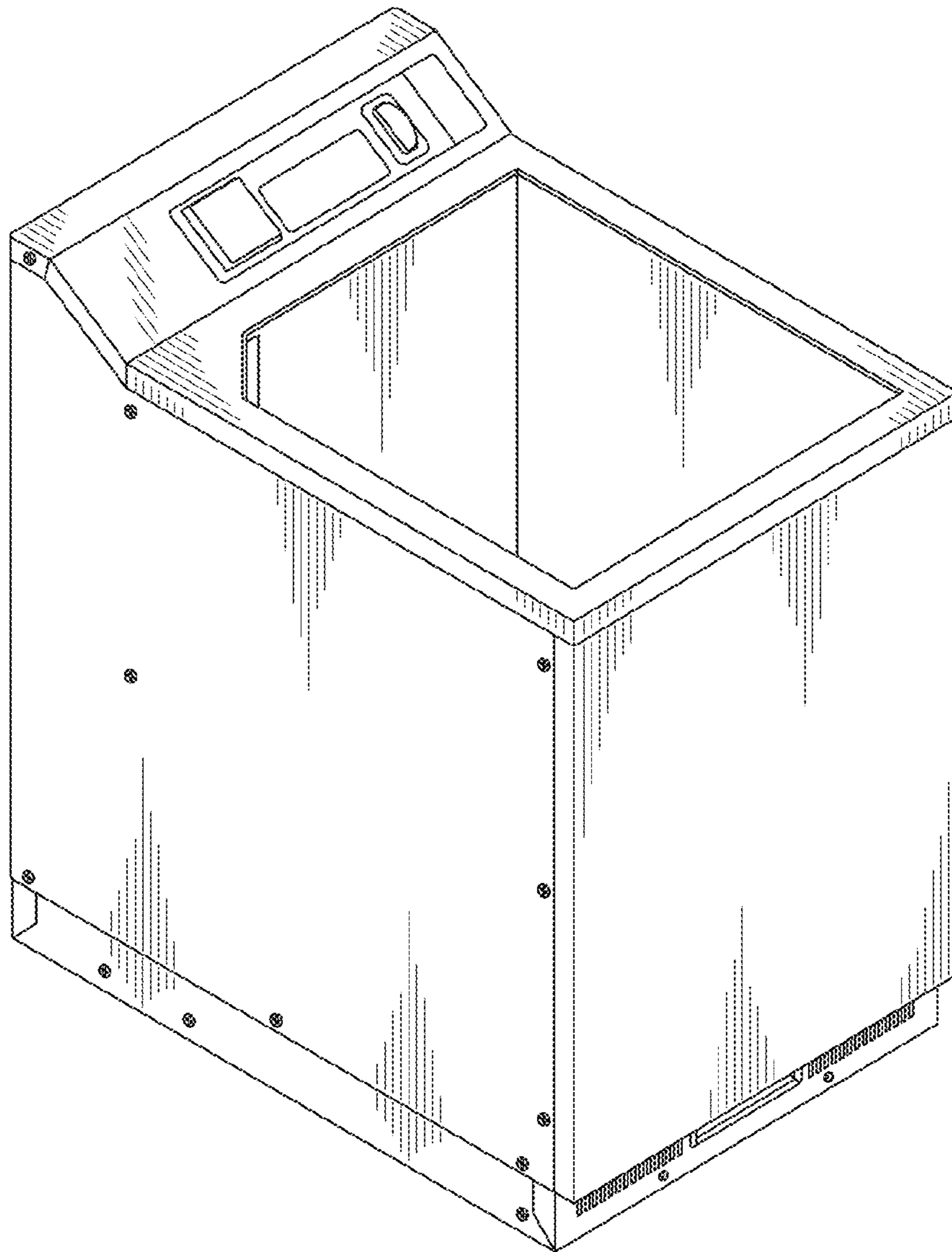


FIG. 8

