



US00D674820S

(12) **United States Design Patent**
Budde

(10) **Patent No.:** **US D674,820 S**
(45) **Date of Patent:** **** Jan. 22, 2013**

(54) **VEHICLE ROOF**

(75) Inventor: **Paul Budde**, Harsewinkel (DE)

(73) Assignee: **CLAAS KGaA mbH**, Harsewinkel (DE)

(**) Term: **14 Years**

(21) Appl. No.: **29/424,924**

(22) Filed: **Jun. 18, 2012**

Related U.S. Application Data

(62) Division of application No. 29/402,635, filed on Sep. 26, 2011.

Foreign Application Priority Data

Mar. 28, 2011 (EP) 001841693

(51) **LOC (9) Cl.** **15-03**

(52) **U.S. Cl.** **D15/30**

(58) **Field of Classification Search** D15/10,
D15/22-26, 28, 30, 31; 180/89.11, 89.12,
180/89.13, 89.19, 900; 296/190.01, 190.08,
296/210, 190, 202

See application file for complete search history.

(56) **References Cited**

U.S. PATENT DOCUMENTS

D208,402	S	*	8/1967	Hofmann	D15/30
D229,046	S	*	11/1973	Purcell et al.	D15/30
3,802,530	A	*	4/1974	Purcell et al.	180/89.12
RE29,123	E	*	1/1977	Malm et al.	296/35.1
D249,522	S	*	9/1978	Elfes et al.	D15/30
D275,199	S	*	8/1984	Schmidt et al.	D15/30
D297,329	S	*	8/1988	Monehaie et al.	D15/30
5,413,188	A	*	5/1995	Ui	180/89.12
D384,358	S	*	9/1997	Smith	D15/30
D528,134	S	*	9/2006	Vandendriessche et al.	..	D15/30
D541,825	S	*	5/2007	Pettersson	D15/30
7,347,488	B2	*	3/2008	Hayes et al.	296/190.08

* cited by examiner

Primary Examiner — Mark Goodwin

(74) *Attorney, Agent, or Firm* — Michael J. Striker

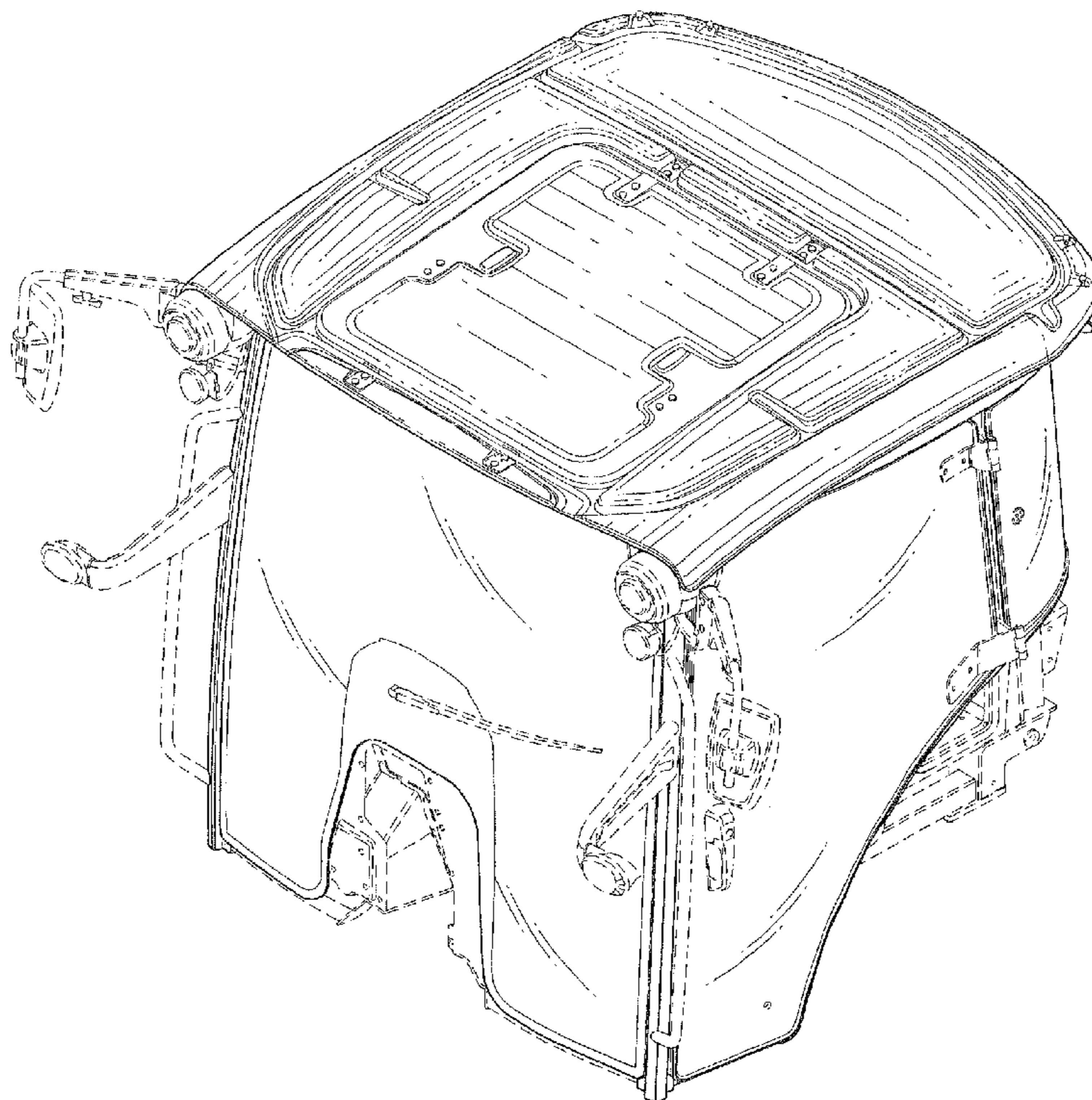
(57) **CLAIM**

The ornamental design for a vehicle roof, as shown and described.

DESCRIPTION

FIG. 1 is a top front perspective view of a vehicle roof showing my new design;
FIG. 2 is a top rear perspective view thereof;
FIG. 3 is a front view thereof;
FIG. 4 is a back view thereof;
FIG. 5 is a left side view thereof;
FIG. 6 is a right side view thereof; and,
FIG. 7 is a top plan view thereof.

1 Claim, 7 Drawing Sheets



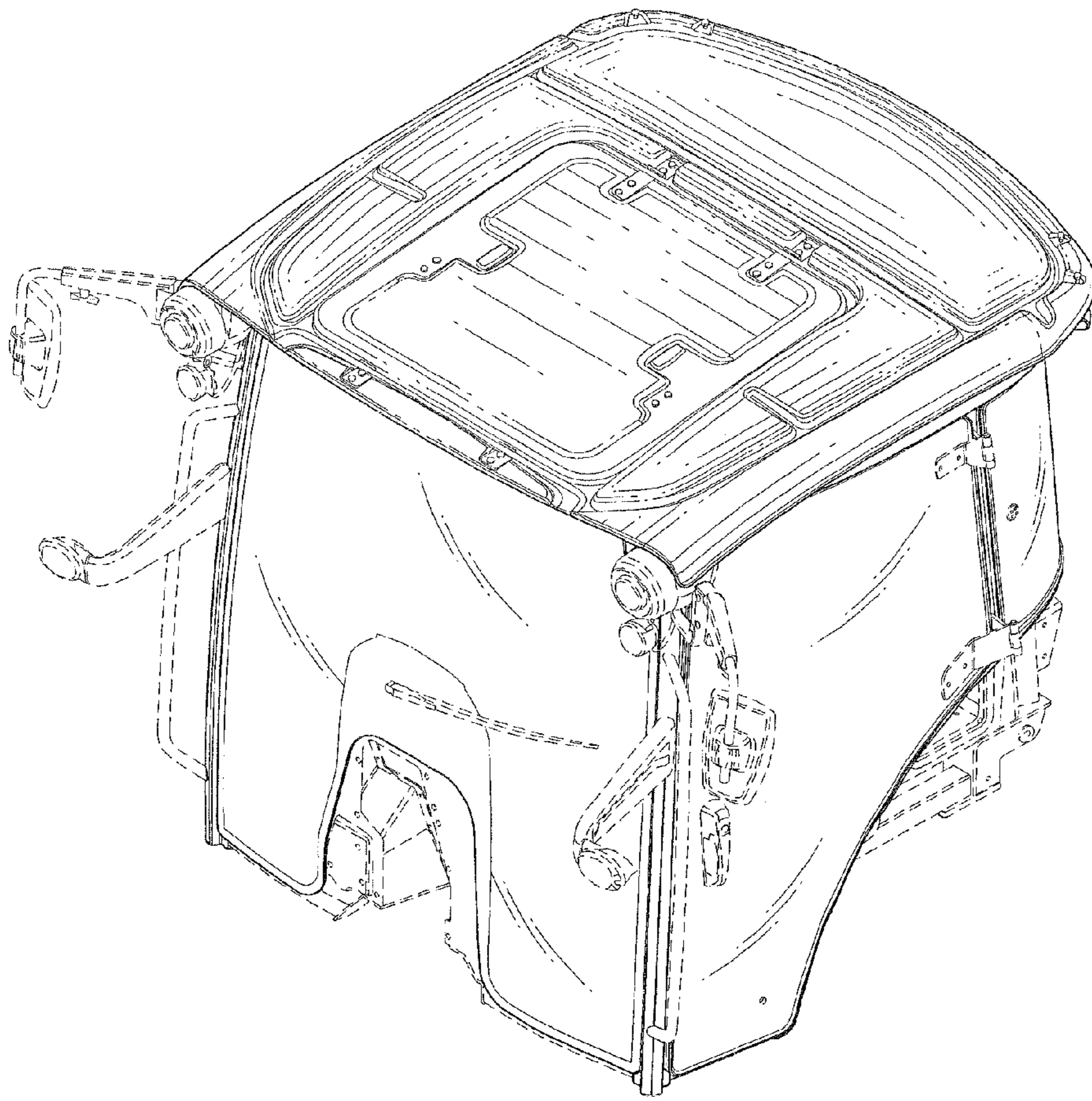


FIG. 1

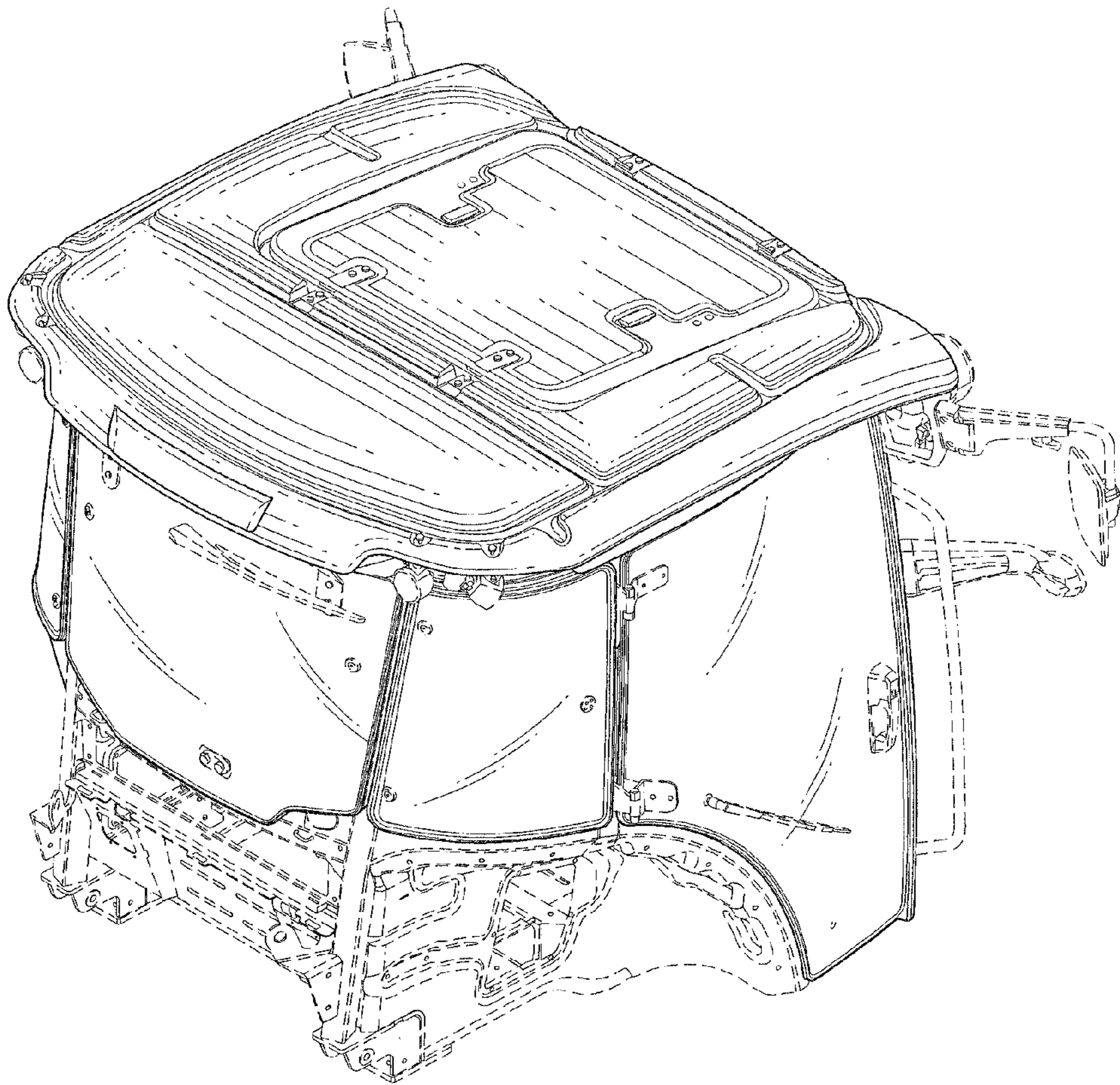


FIG. 2

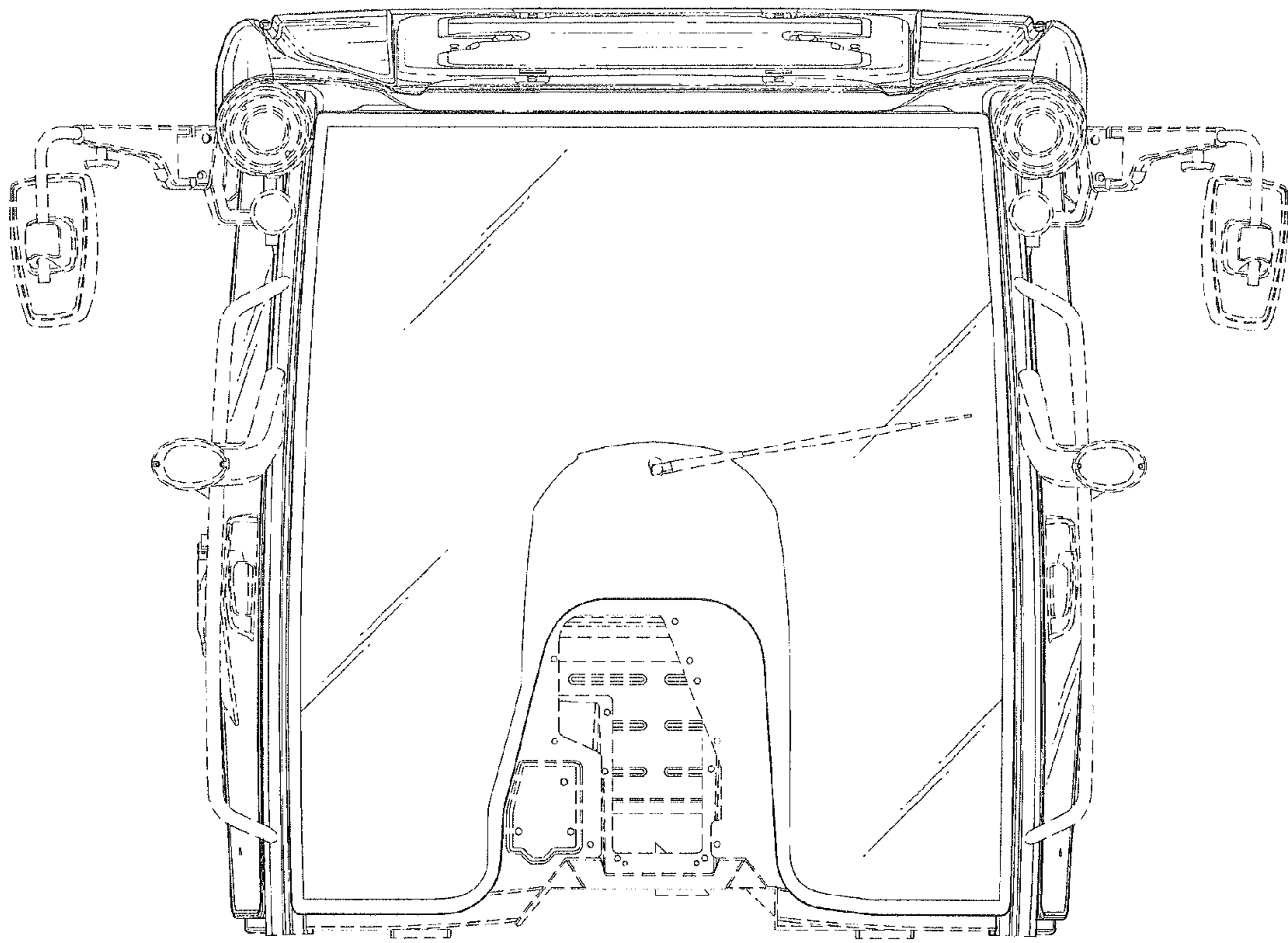


FIG. 3

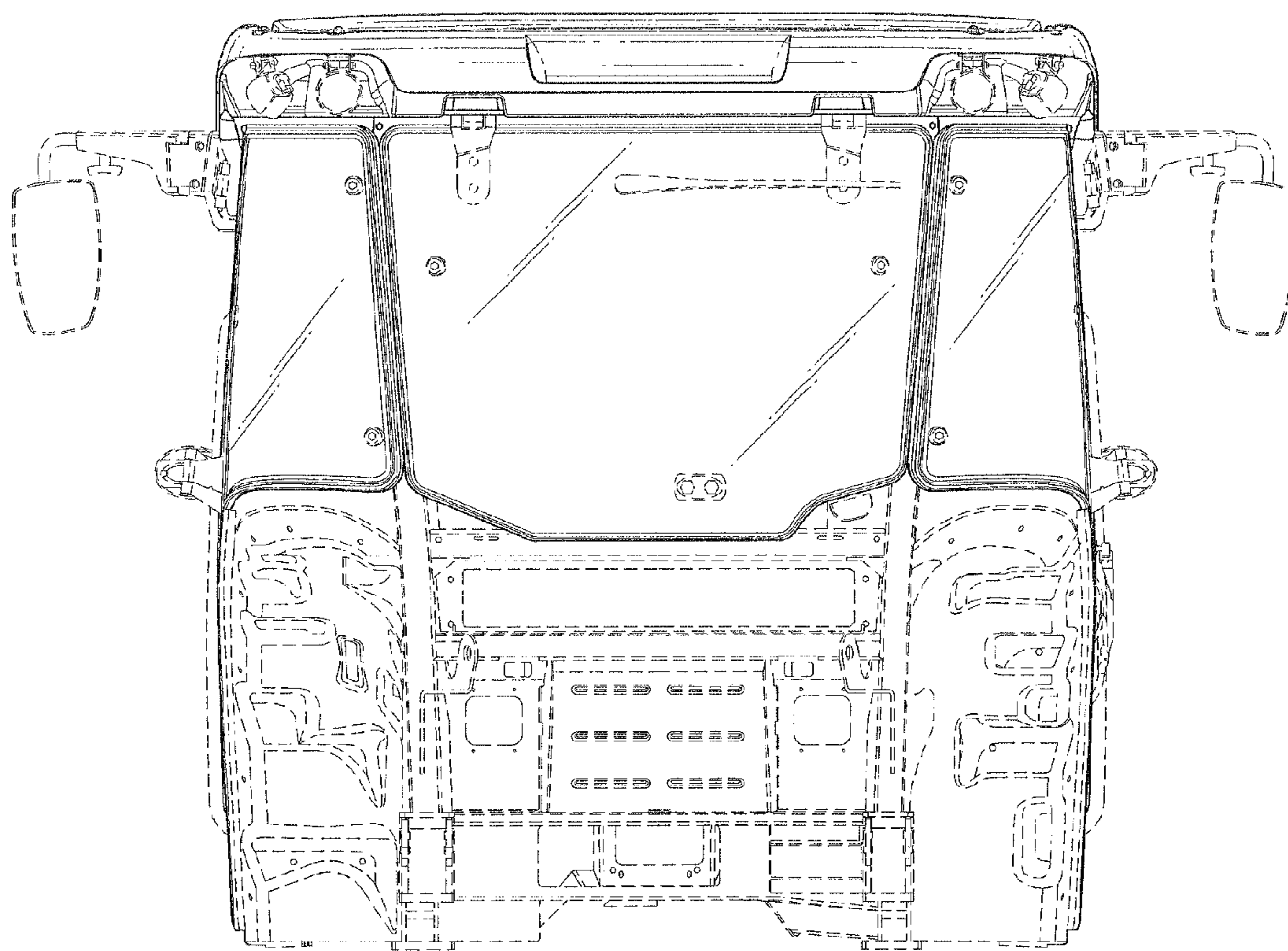


FIG. 4

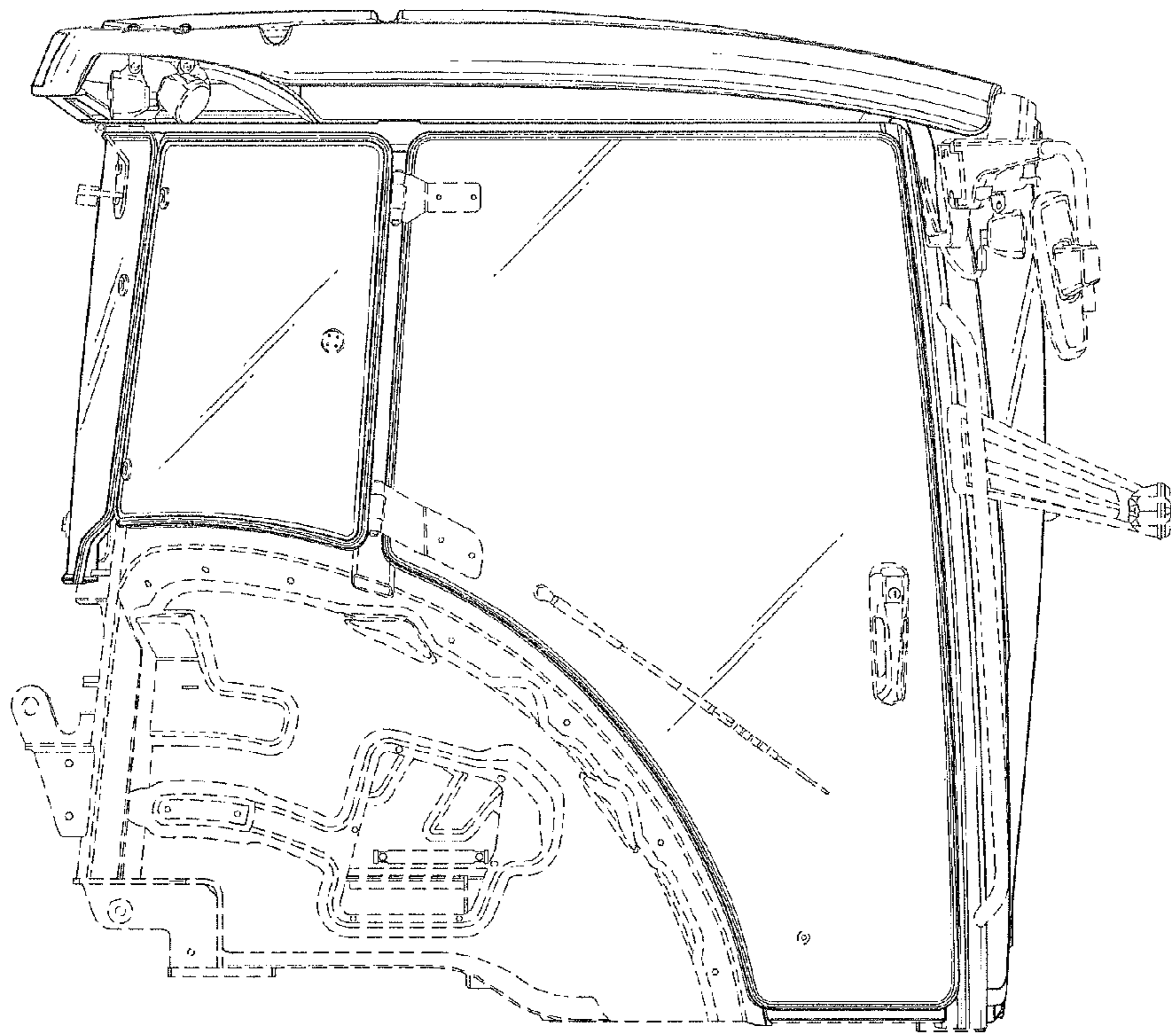


FIG. 5

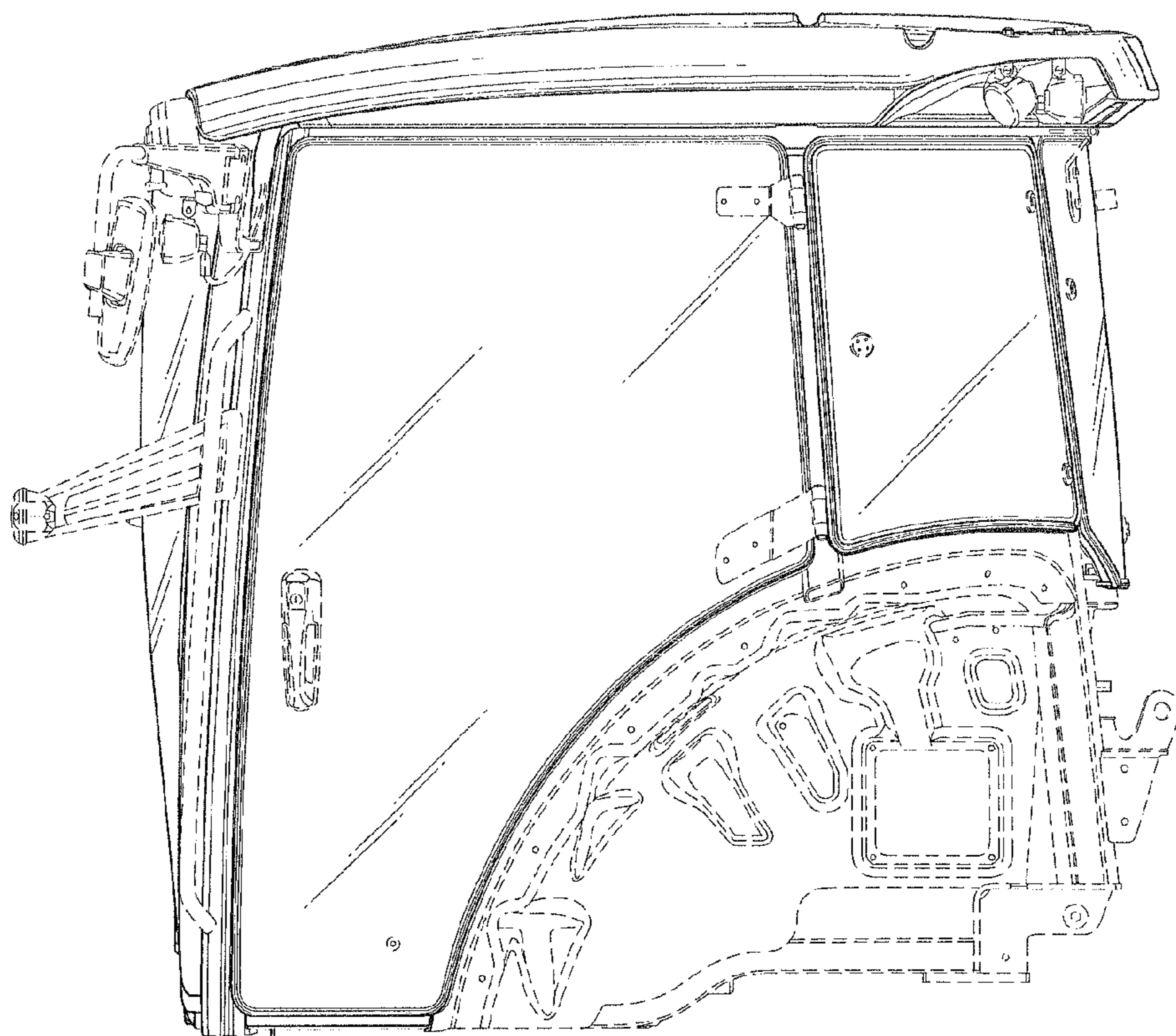


FIG. 6

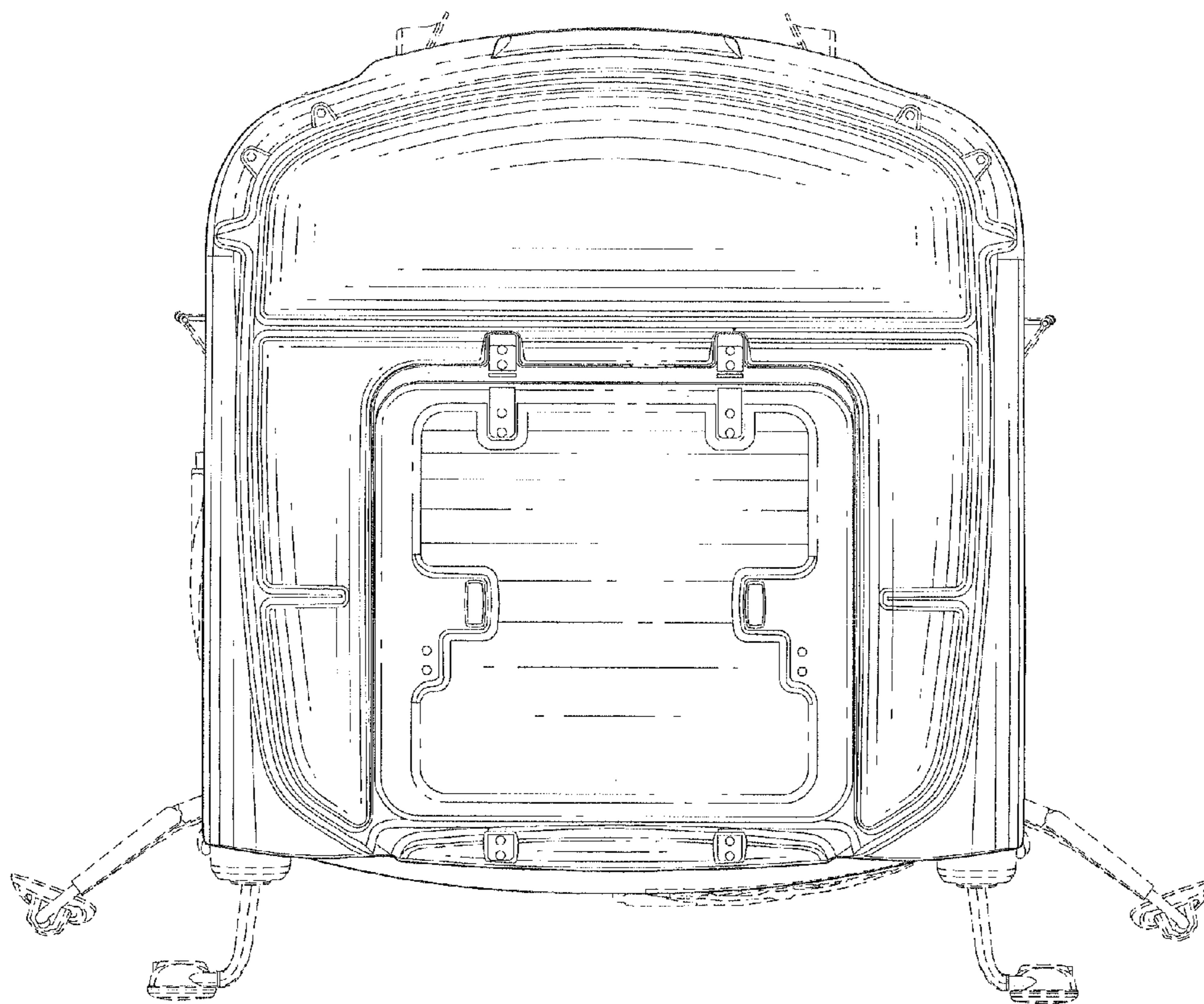


FIG. 7