



US00D674819S

(12) **United States Design Patent**
Hagele

(10) **Patent No.:** **US D674,819 S**
(45) **Date of Patent:** **** Jan. 22, 2013**

(54) **TRACTOR**

(75) **Inventor:** **Carl J. Hagele**, The Villages, FL (US);
Richard J. Hagele, legal representative,
The Villages, FL (US)

(73) **Assignee:** **CNH America LLC**

(**) **Term:** **14 Years**

(21) **Appl. No.:** **29/411,595**

(22) **Filed:** **Jan. 24, 2012**

D527,026 S *	8/2006	Kuwae et al.	D15/23
D533,569 S *	12/2006	Mursch	D15/28
D534,927 S *	1/2007	Mursch	D15/28
D555,674 S *	11/2007	Kuwae	D15/23
D564,544 S *	3/2008	Higashikawa et al.	D15/23
D572,642 S *	7/2008	Steckling et al.	D12/182
D602,047 S *	10/2009	Kushita et al.	D15/23
D603,881 S *	11/2009	Tamplain et al.	D15/30
D605,207 S *	12/2009	Menges et al.	D15/30
D607,388 S *	1/2010	Mahoney	D12/182
D613,776 S *	4/2010	Bianco et al.	D15/33
D613,777 S *	4/2010	Bianco et al.	D15/33
D632,704 S *	2/2011	Seidel et al.	D15/28
D641,027 S *	7/2011	Kawashiri et al.	D15/23

* cited by examiner

Related U.S. Application Data

(62) Division of application No. 29/391,530, filed on May 10, 2011, now Pat. No. Des. 655,317.

(51) **LOC (9) Cl.** **12-09**

(52) **U.S. Cl.** **D15/23**

(58) **Field of Classification Search** D15/10,
D15/11, 13-17, 22-26, 28, 30, 31; D12/173;
56/13.3, 13.4, 15.8, 15.9, 320.1; 180/89.1,
180/89.12, 900, 69.2, 68.1, 69.1
See application file for complete search history.

(56) **References Cited**

U.S. PATENT DOCUMENTS

D247,624 S *	3/1978	Emundts et al.	D15/23
D256,017 S *	7/1980	Emundts et al.	D15/23
D274,524 S *	7/1984	Koval et al.	D15/23
D355,423 S *	2/1995	Woods et al.	D15/23
D498,245 S *	11/2004	Kuwae et al.	D15/23
D519,130 S *	4/2006	Higashikawa et al.	D15/23
D519,131 S *	4/2006	Kuwae et al.	D15/23

Primary Examiner — Mark Goodwin

(74) *Attorney, Agent, or Firm* — Sue C. Watson

(57) **CLAIM**

We claim the ornamental design for a tractor, as shown and described.

DESCRIPTION

FIG. 1 is a perspective view of a tractor showing our new design;

FIG. 2 is a front view thereof;

FIG. 3 is a rear view thereof;

FIG. 4 is a right side view thereof;

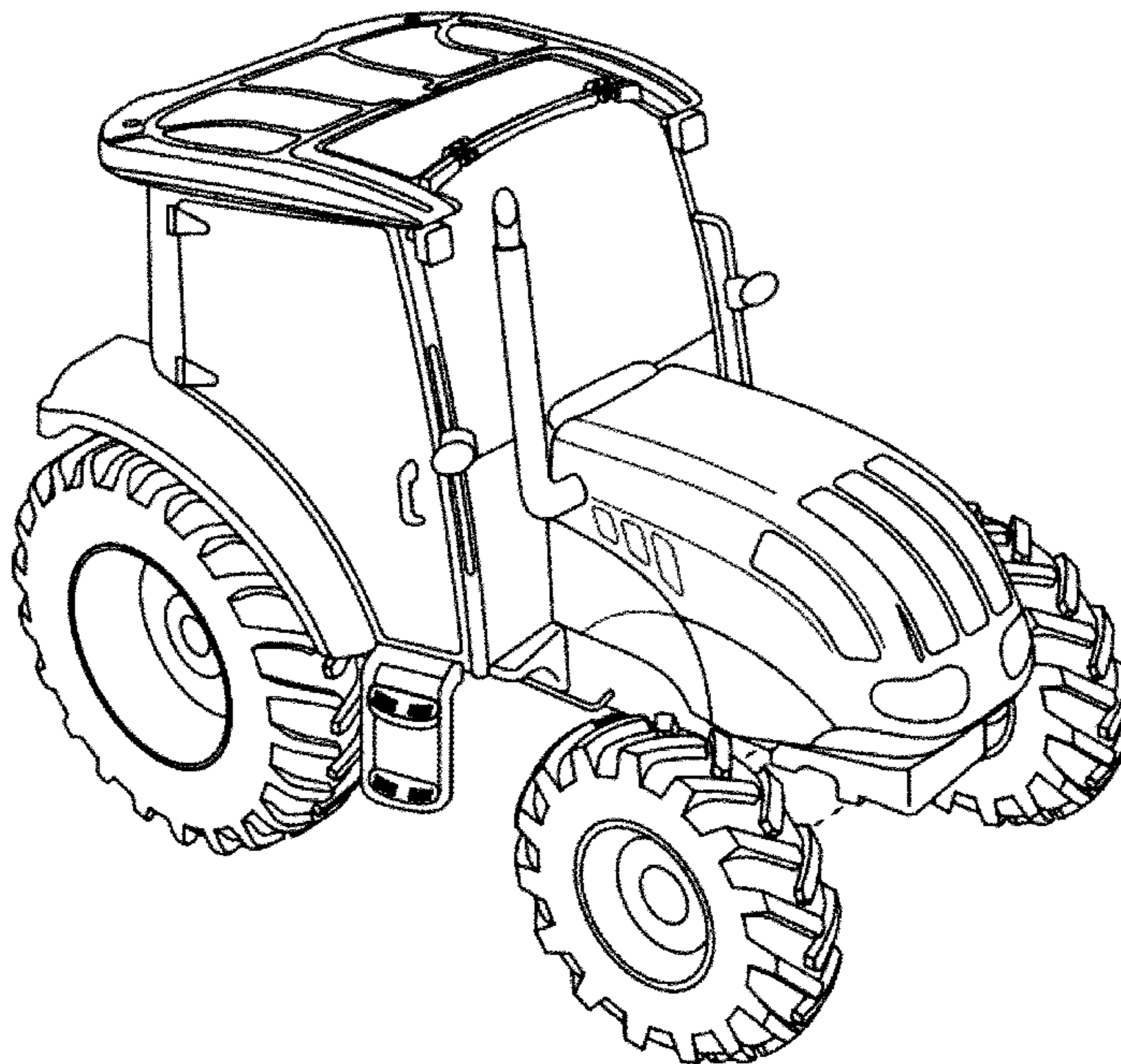
FIG. 5 is a left side view thereof;

FIG. 6 is a top plan view thereof; and,

FIG. 7 is a bottom plan view thereof.

The portions of the Figures shown in broken lines form no part of the claimed design.

1 Claim, 7 Drawing Sheets



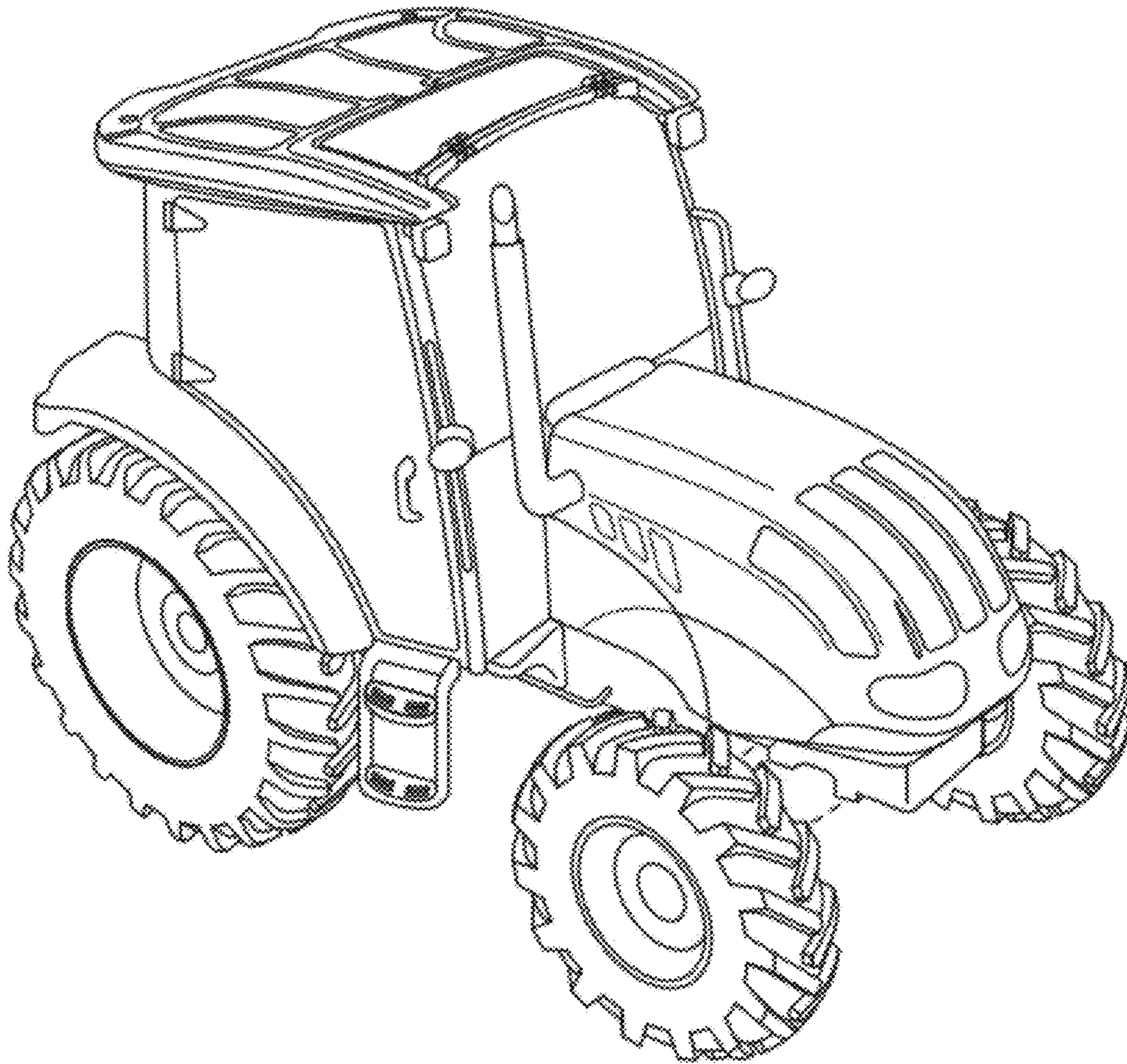


FIG. 1

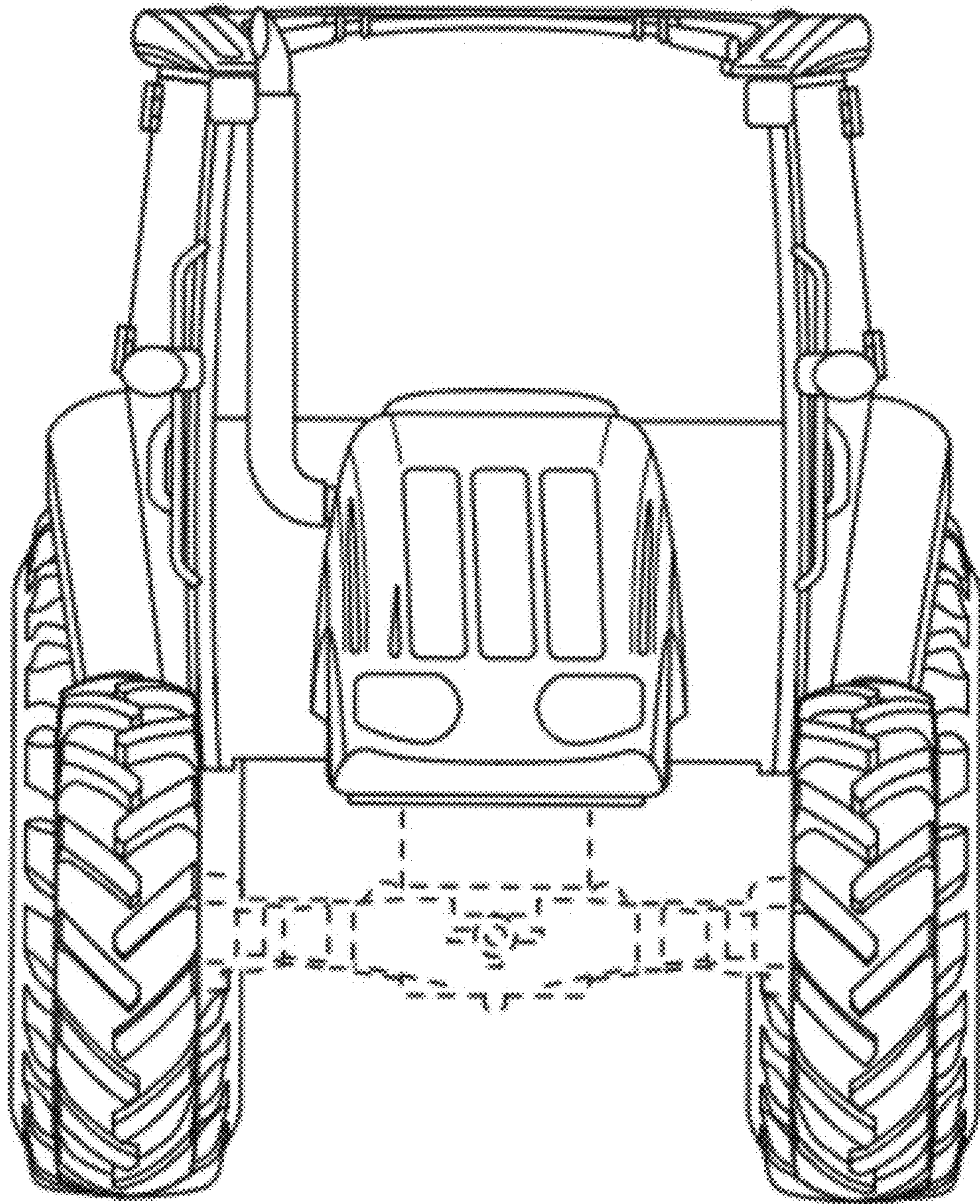


FIG. 2

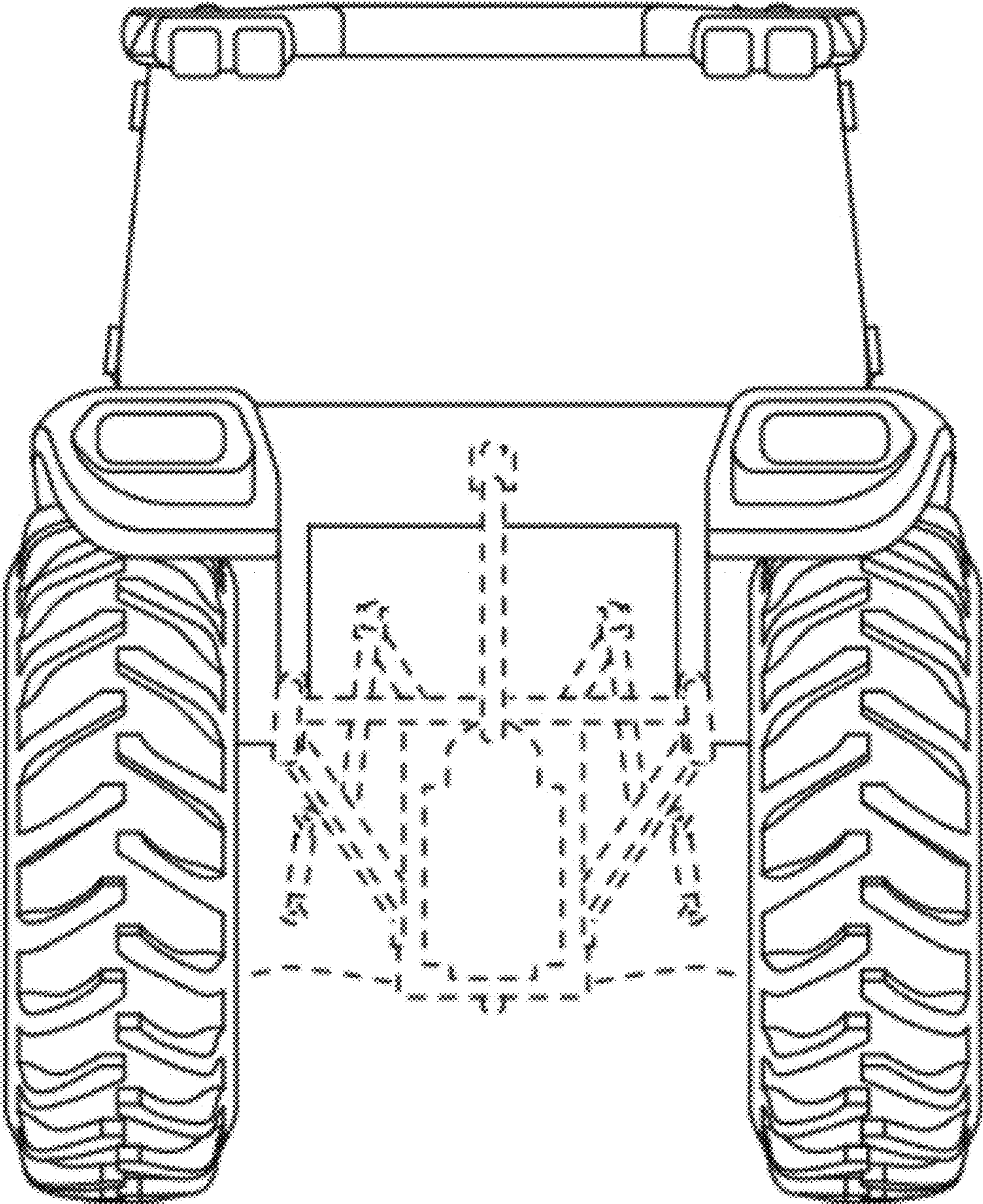


FIG. 3

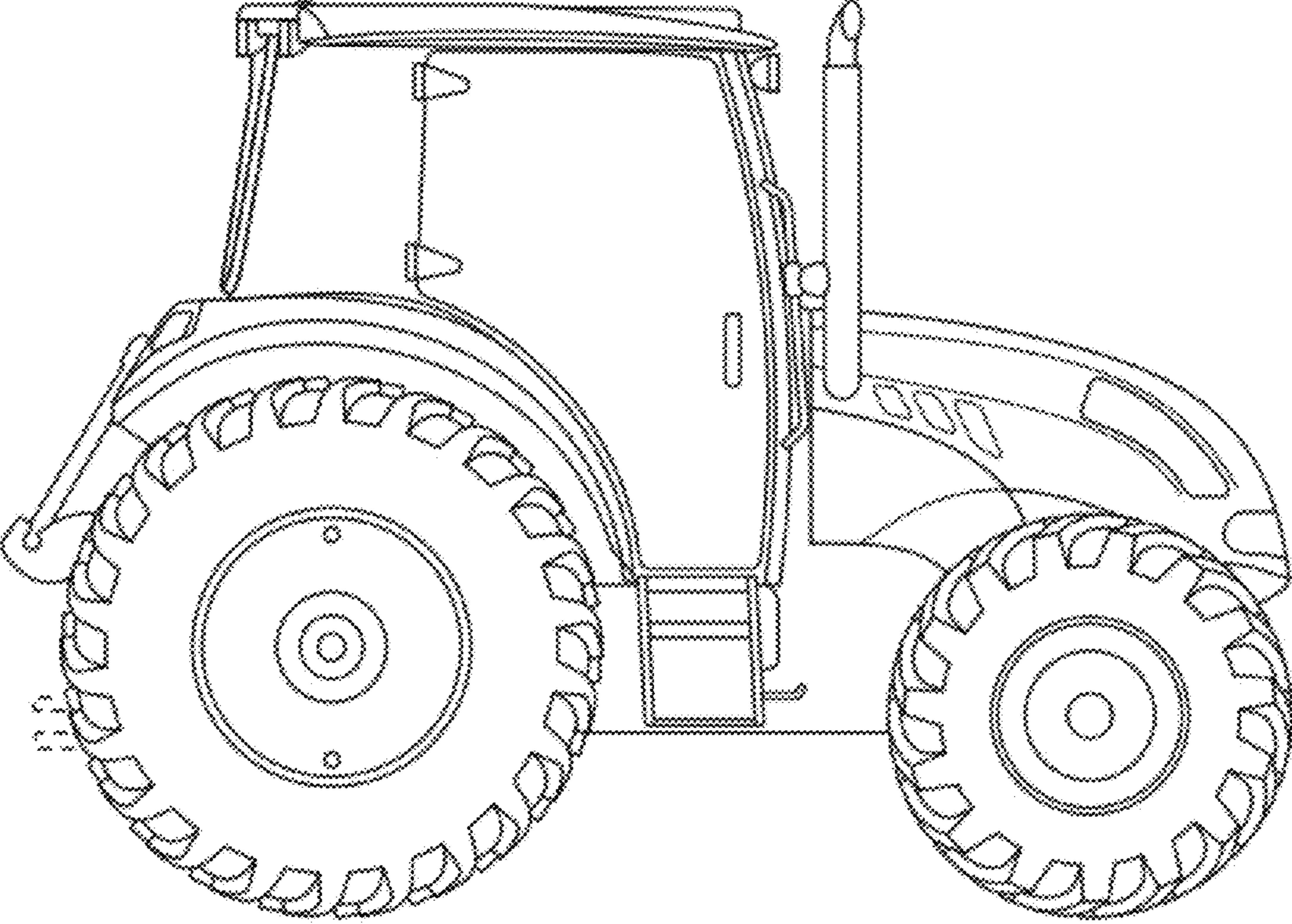


FIG. 4

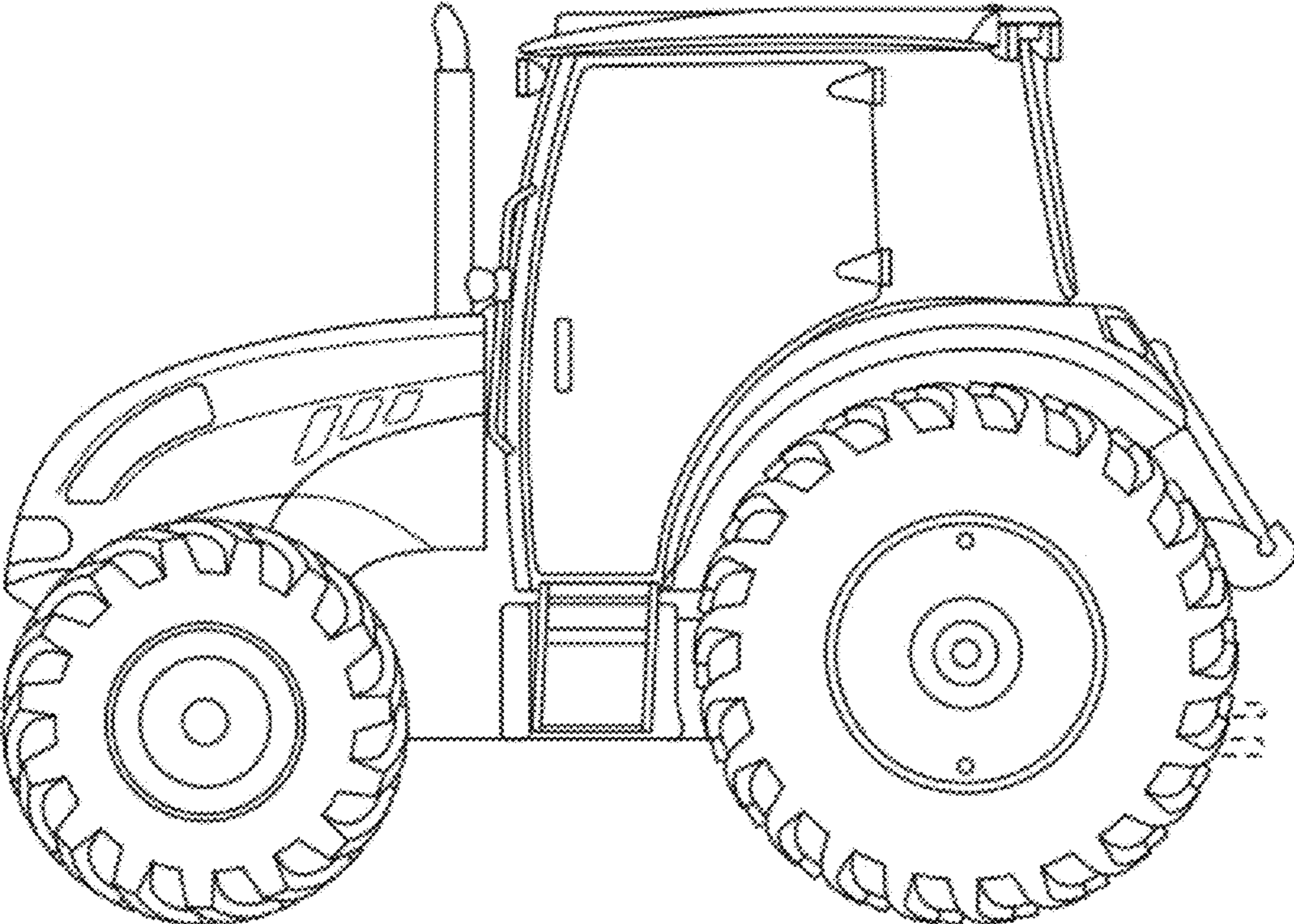


FIG. 5

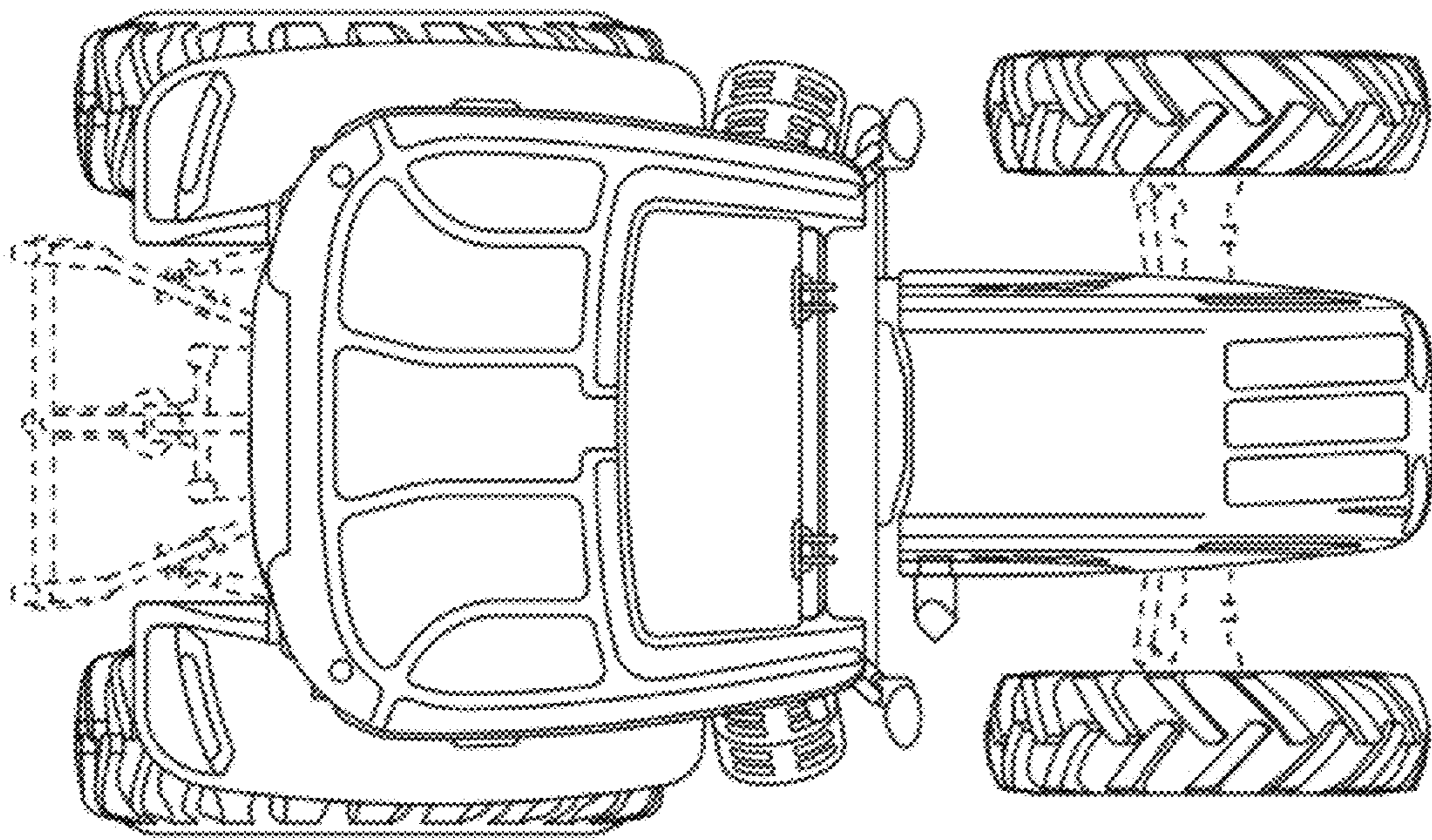


FIG. 6

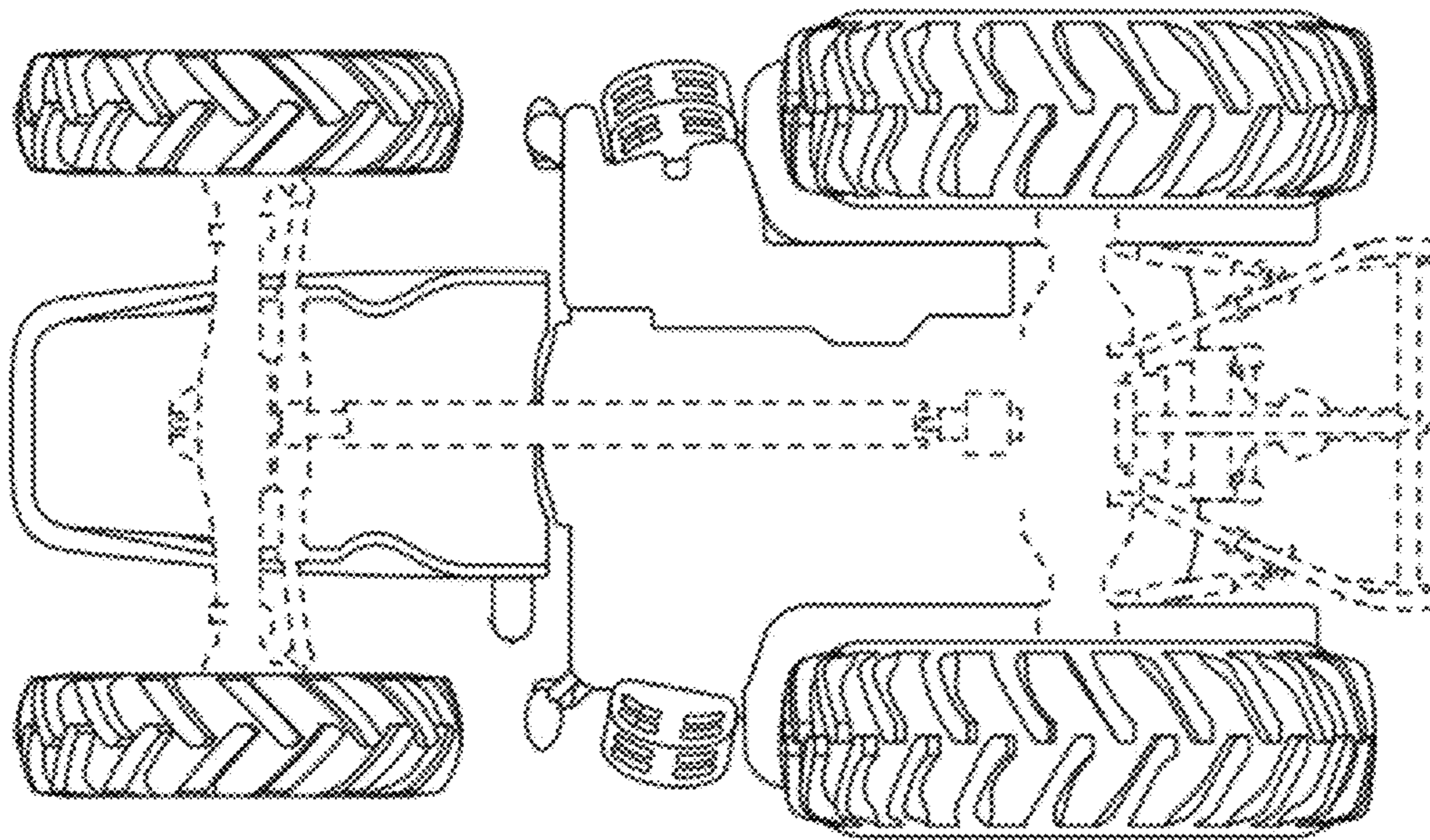


FIG. 7