



US00D674816S

(12) **United States Design Patent**
Higashikawa et al.

(10) **Patent No.:** **US D674,816 S**
(45) **Date of Patent:** **** Jan. 22, 2013**

(54) **RIDING TYPE MOWER**

(75) Inventors: **Yoshitaka Higashikawa, Sakai (JP);**
Masanori Fujino, Sakai (JP)

(73) Assignee: **Kubota Corporation, Osaka (JP)**

(**) Term: **14 Years**

(21) Appl. No.: **29/428,944**

(22) Filed: **Aug. 6, 2012**

(51) **LOC (9) Cl.** **15-03**

(52) **U.S. Cl.** **D15/15**

(58) **Field of Classification Search** D15/10,
D15/14-18, 22-26, 33; 56/12.8, 12.7, 13.4,
56/16.7, 17.5, 202, 254, 255, 294, 11.4, 320.1,
56/320.2, 249, 252, 11.9, 17.1, 17.4, 295,
56/15.8, 13.3, 10.1, 15.9; 280/43.17; 180/69.2,
180/89.1, 89.12, 900, 273
See application file for complete search history.

(56) **References Cited**

U.S. PATENT DOCUMENTS

D359,740	S	*	6/1995	Crosby et al.	D15/15
D380,761	S	*	7/1997	Saylor	D15/15
D389,490	S	*	1/1998	Shimamura et al.	D15/15
5,816,033	A	*	10/1998	Busboom et al.	56/10.8
D409,208	S	*	5/1999	Eavenson et al.	D15/15
D450,330	S	*	11/2001	Katoh et al.	D15/15

D486,160	S	*	2/2004	Higashikawa et al.	D15/15
D495,718	S	*	9/2004	Higashikawa	D15/15
D512,444	S	*	12/2005	Ayers et al.	D15/15
D538,302	S	*	3/2007	Higashikawa	D15/15
D560,690	S	*	1/2008	Higashikawa	D15/10
D626,572	S	*	11/2010	Moriguchi et al.	D15/15

* cited by examiner

Primary Examiner — Mark Goodwin

(74) *Attorney, Agent, or Firm* — Greenblum & Bernstein, P.L.C.

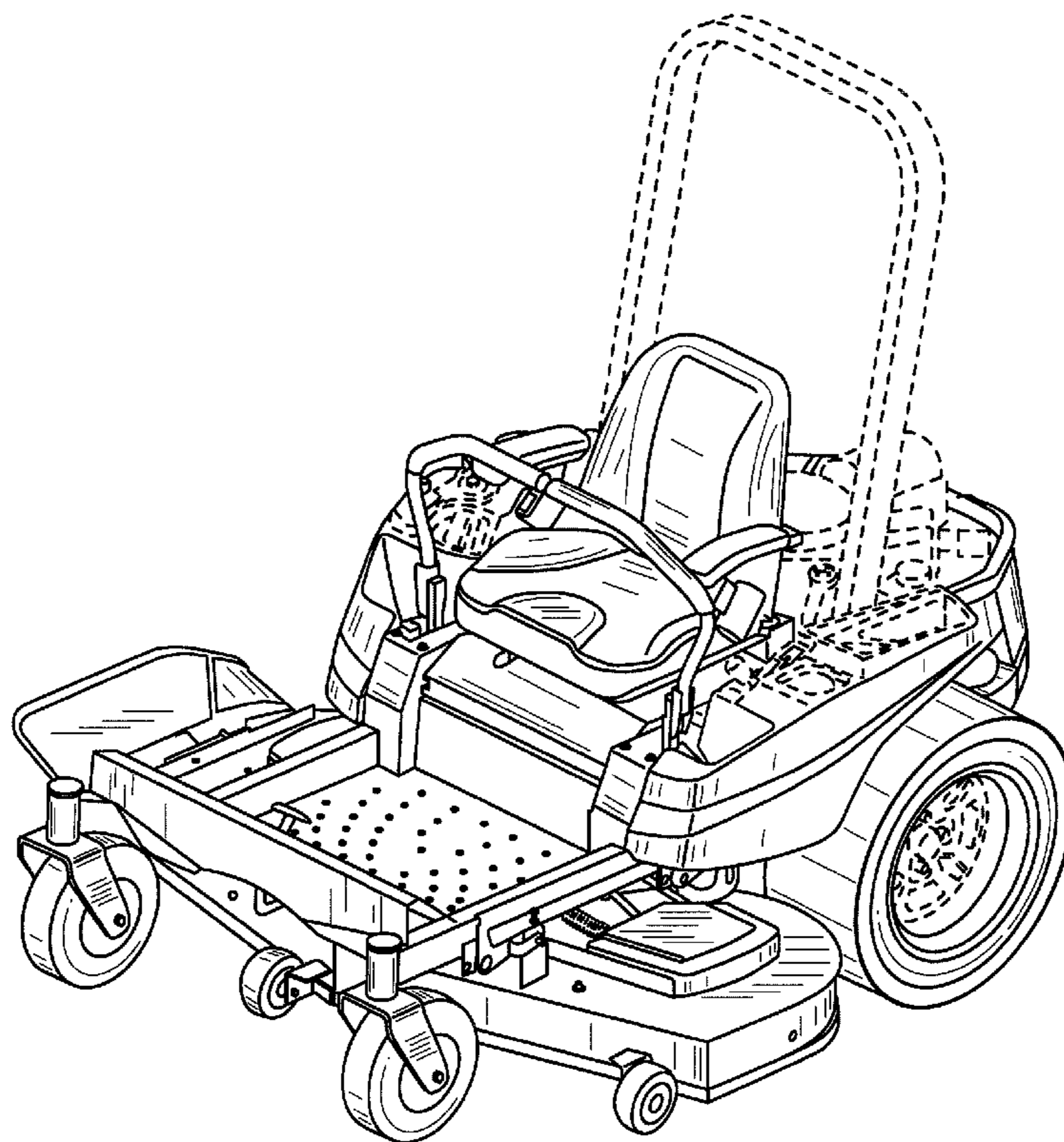
(57) **CLAIM**

We claim the ornamental design for a riding type mower, as shown and described.

DESCRIPTION

FIG. 1 is a front elevational view of a riding type mower showing our new design;
FIG. 2 is a rear elevational view thereof;
FIG. 3 is a left side elevational view thereof;
FIG. 4 is a right side elevational view thereof;
FIG. 5 is a top plan view thereof;
FIG. 6 is a bottom plan view thereof;
FIG. 7 is a perspective view thereof; and,
FIG. 8 is another perspective view thereof.
The broken lines indicate structure that is for illustrative purposes only and forms no part of the claimed design.

1 Claim, 8 Drawing Sheets



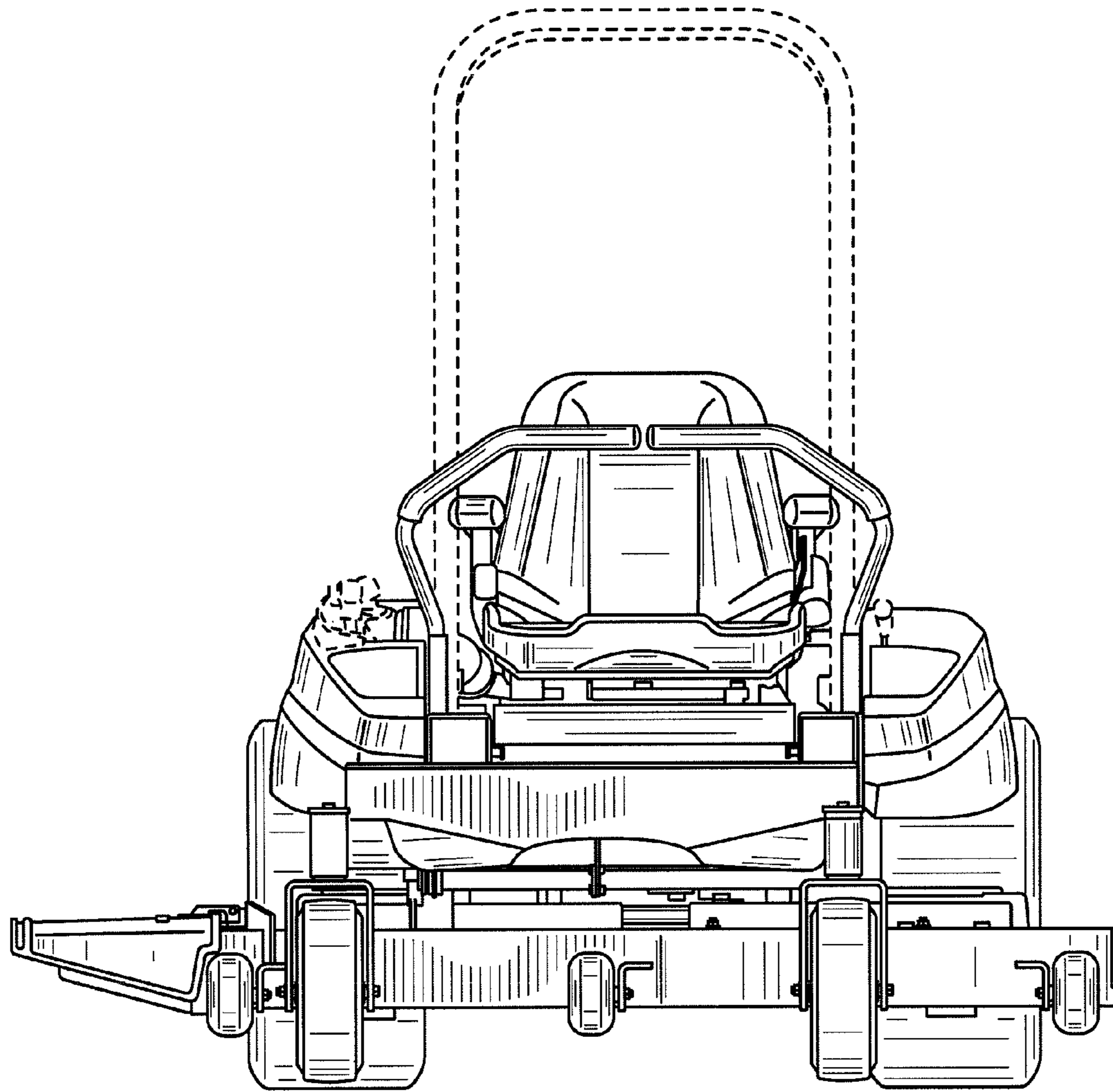


FIG. 1

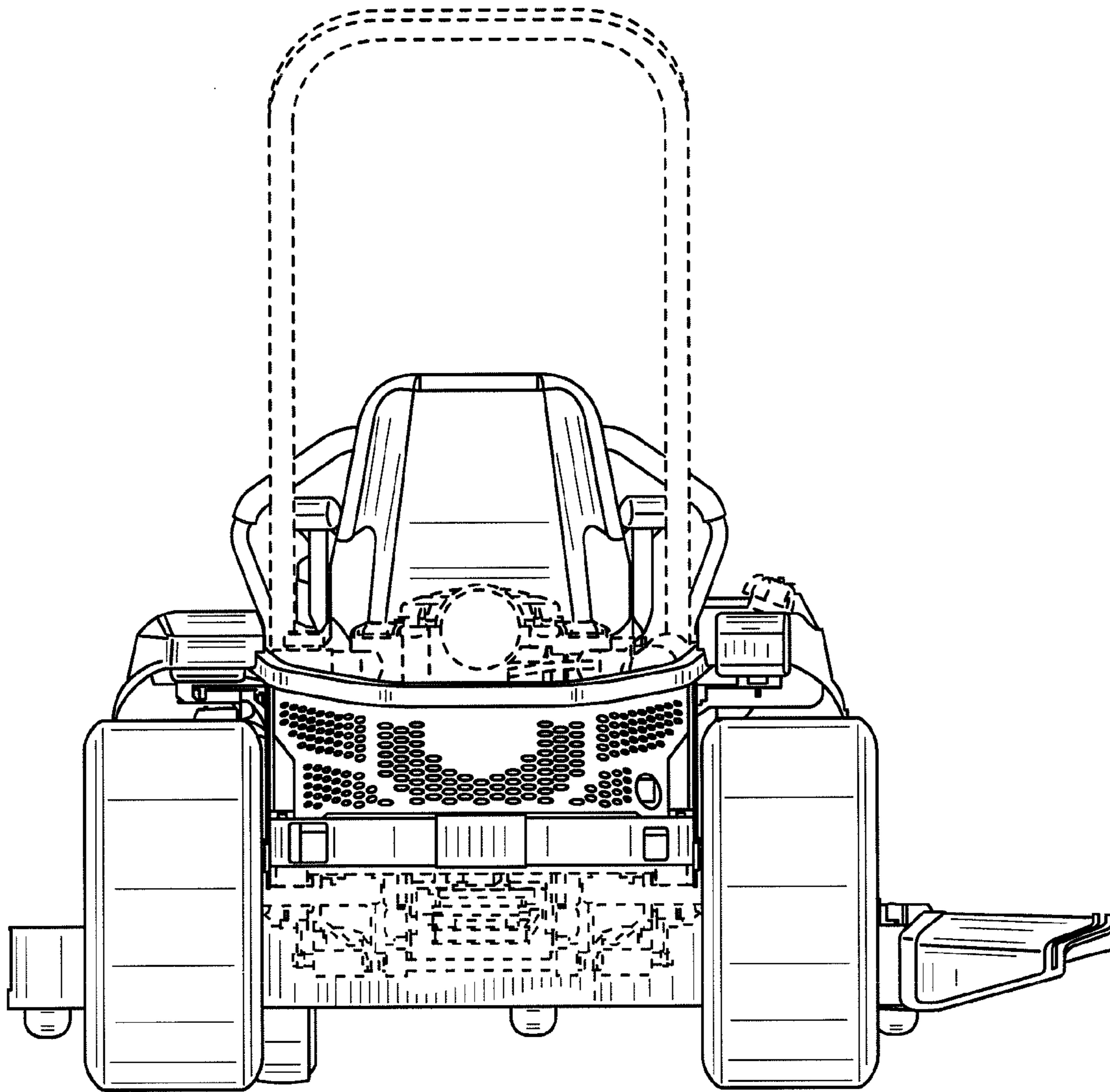


FIG. 2

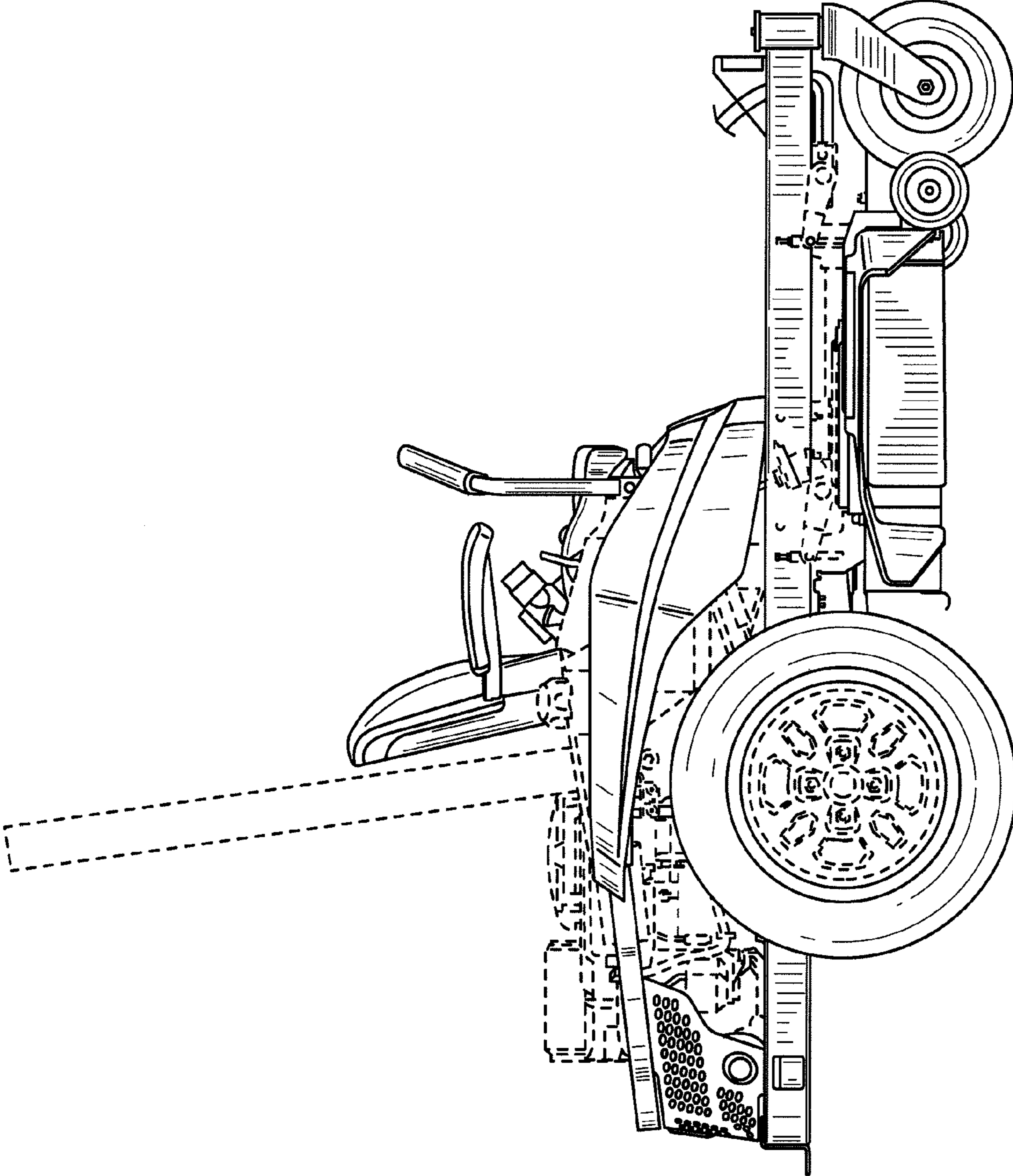


FIG. 3

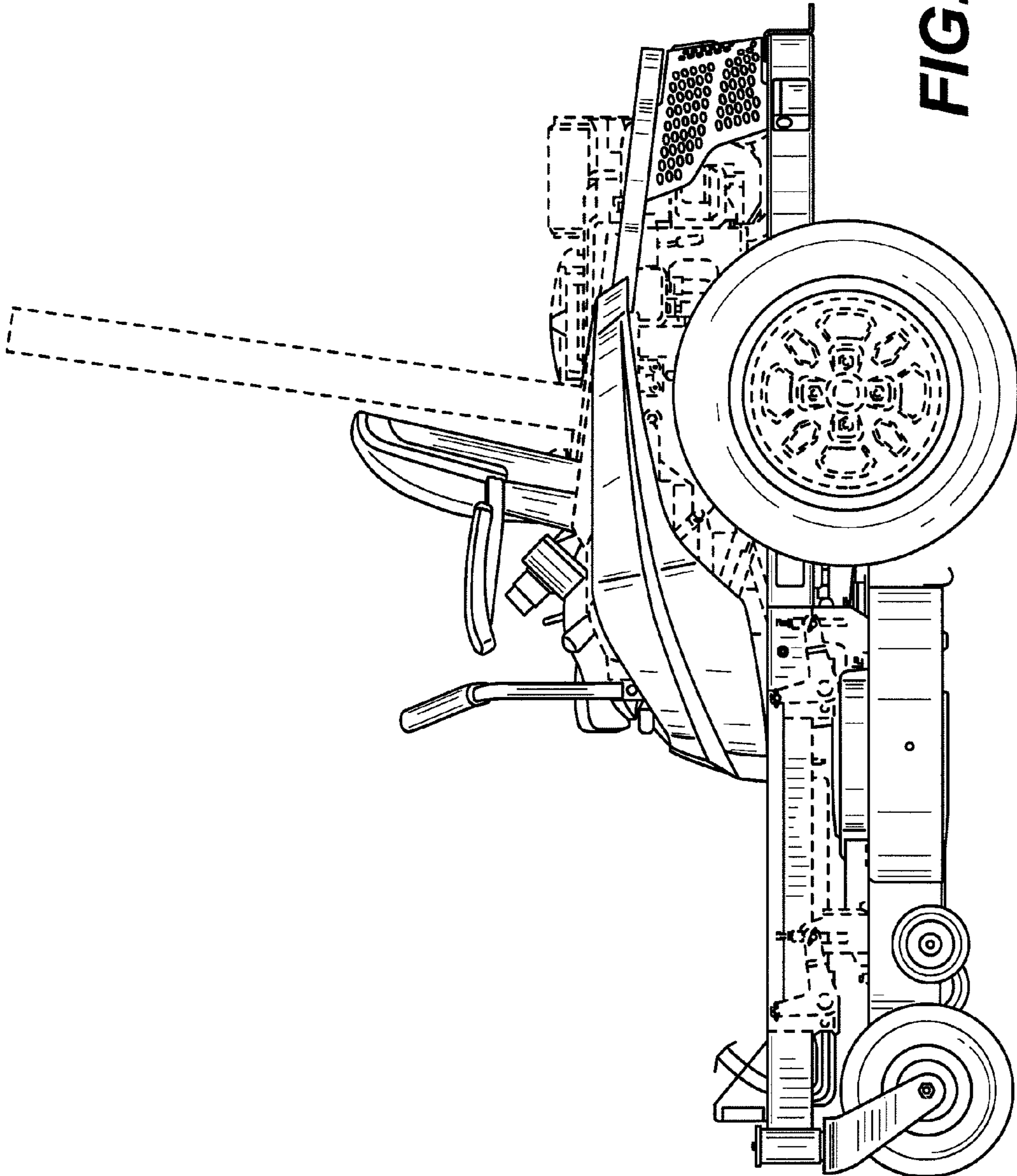


FIG. 4

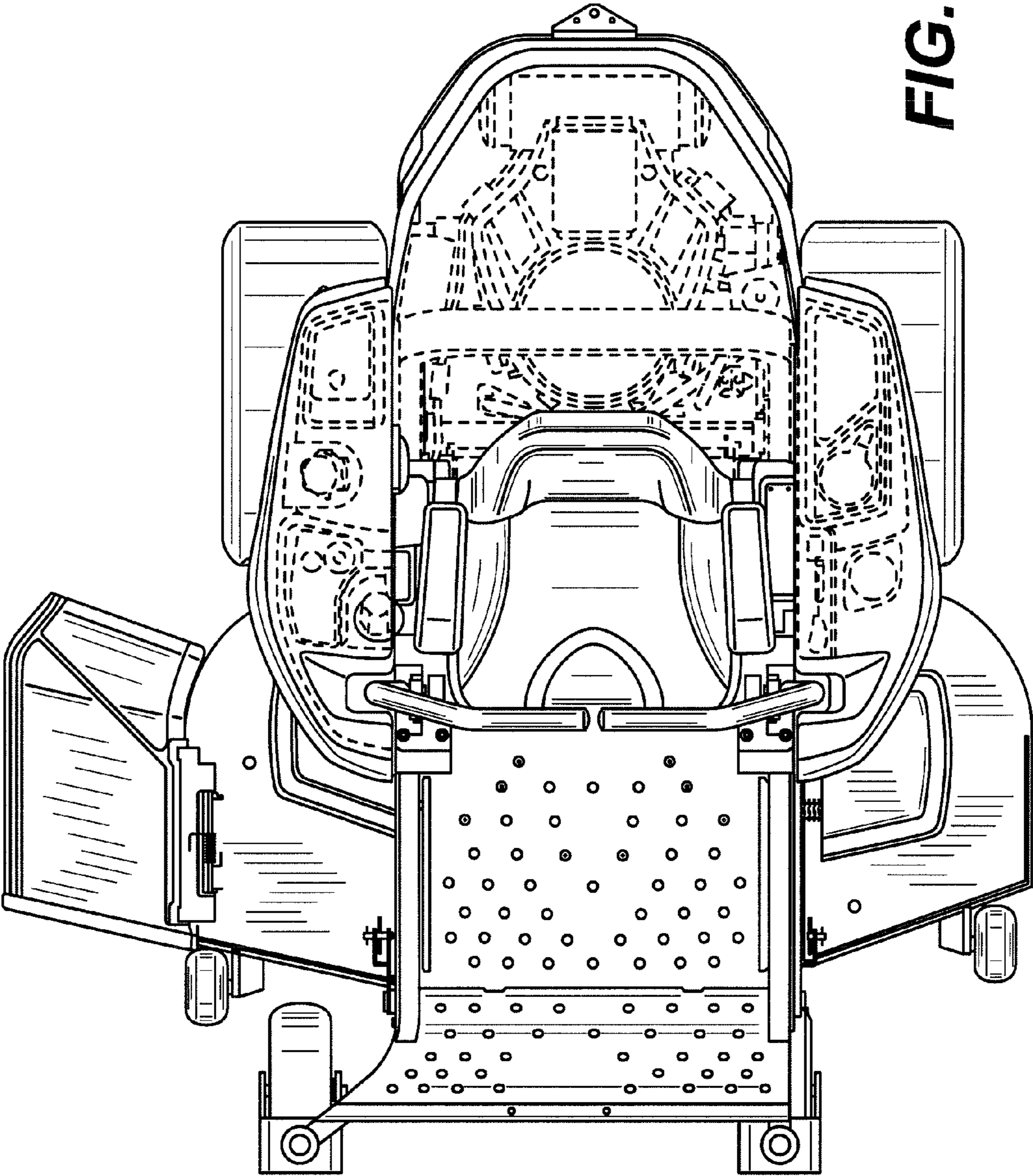


FIG. 5

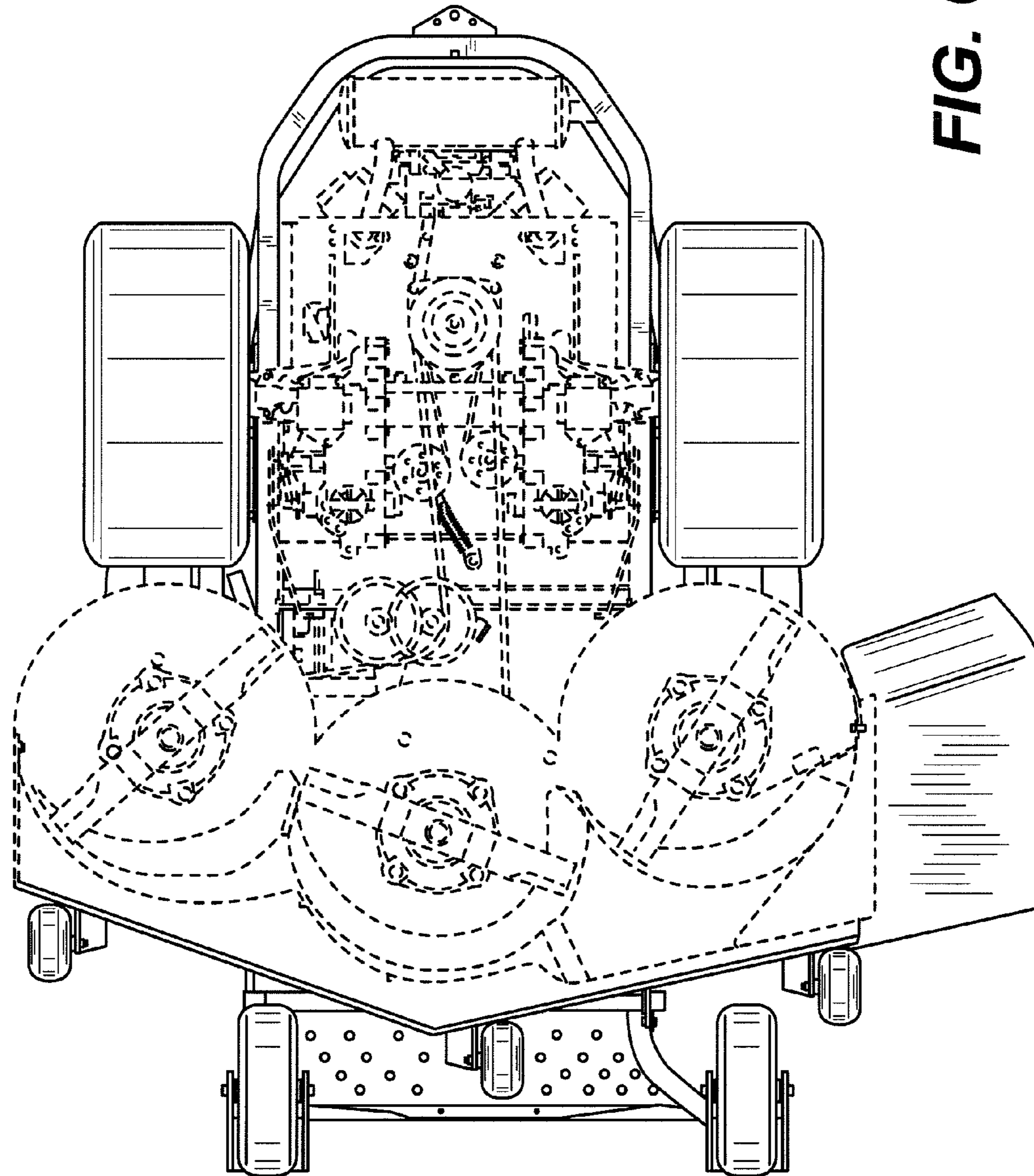


FIG. 6

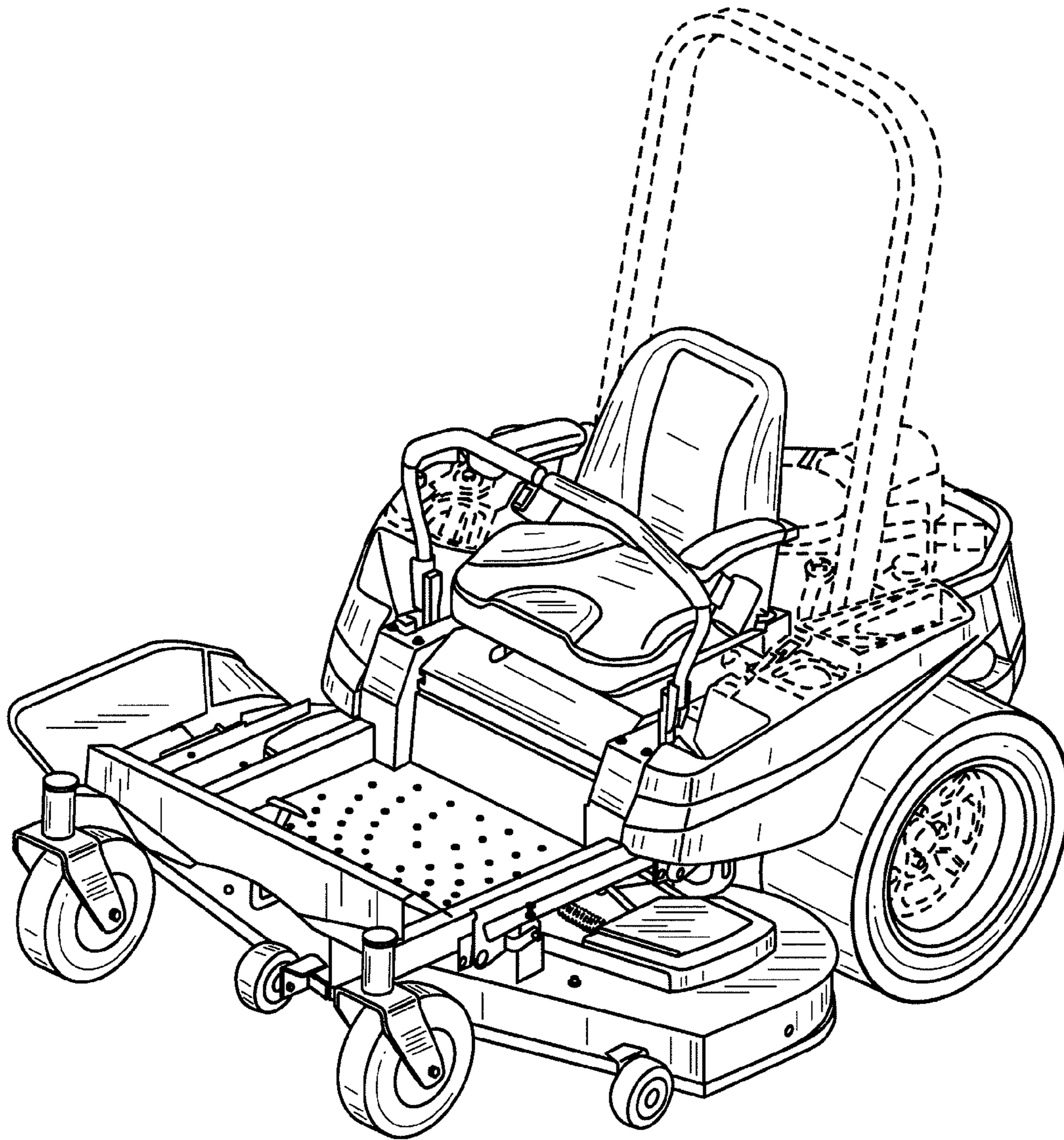


FIG. 7

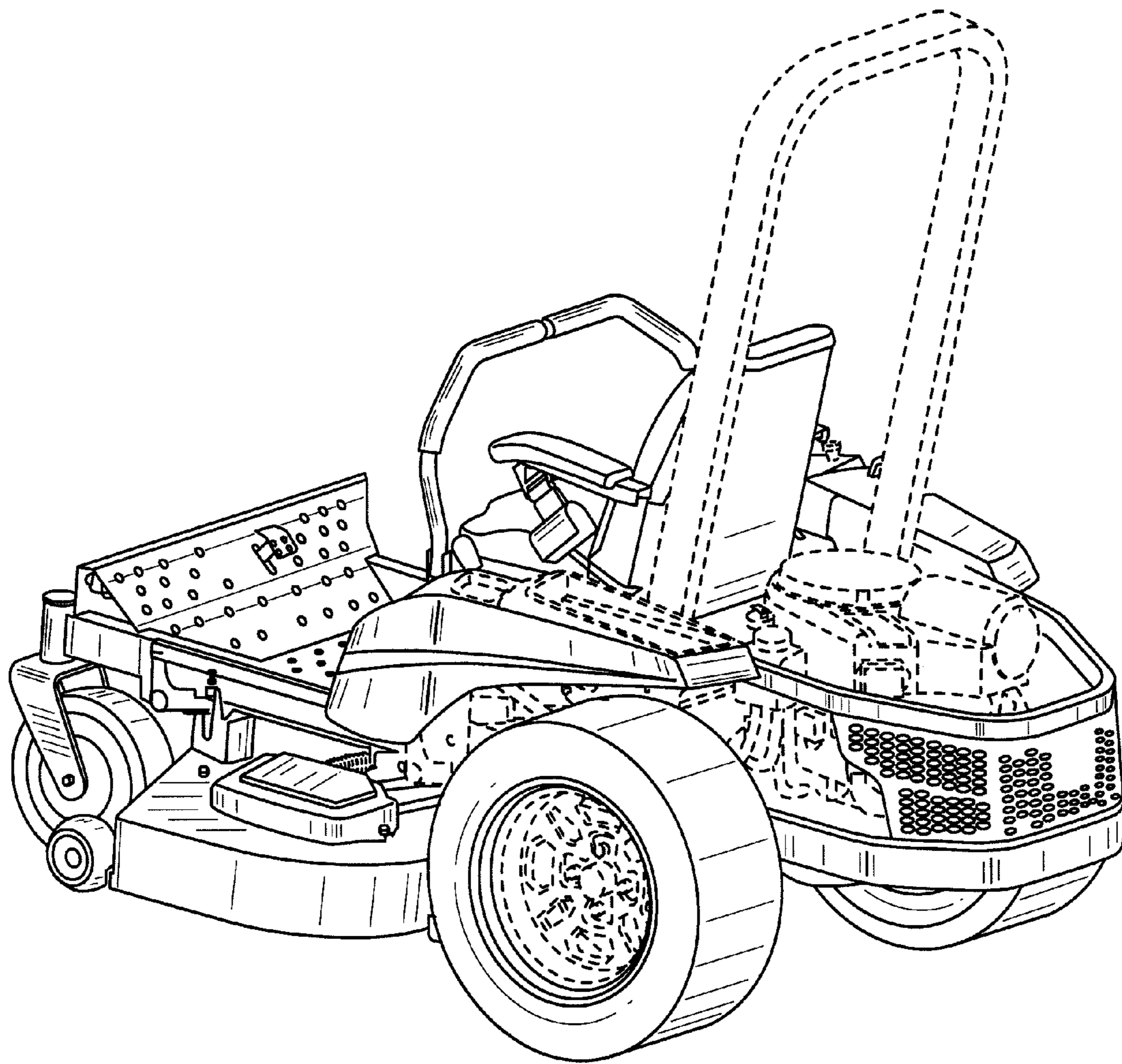


FIG. 8