



US00D674815S

(12) **United States Design Patent**  
**Headley et al.**

(10) **Patent No.:** **US D674,815 S**  
(45) **Date of Patent:** **\*\* Jan. 22, 2013**

(54) **DOUBLE DIAPHRAGM PUMP ASSEMBLY**

(75) Inventors: **Thomas R. Headley**, Roanoke, IN (US);  
**Benjamin R. Freiburger**, Fort Wayne,  
IN (US)

(73) Assignee: **Tuthill Corporation**, Fort Wayne, IN  
(US)

(\*\*) Term: **14 Years**

(21) Appl. No.: **29/427,436**

(22) Filed: **Jul. 18, 2012**

**Related U.S. Application Data**

(63) Continuation of application No. 29/402,528, filed on  
Sep. 23, 2011.

(51) **LOC (9) Cl.** ..... **15-02**

(52) **U.S. Cl.** ..... **D15/7**

(58) **Field of Classification Search** ..... D15/7-9;  
D23/231, 232; 417/410.1, 359, 415-416,  
417/234, 321, 265, 405, 521

See application file for complete search history.

(56) **References Cited**

**U.S. PATENT DOCUMENTS**

D268,413 S \* 3/1983 Wilden ..... D15/7  
D294,946 S \* 3/1988 Wilden ..... D15/7  
D294,947 S \* 3/1988 Wilden ..... D15/7

D331,412 S \* 12/1992 Wilden ..... D15/7  
D380,218 S \* 6/1997 McKee et al. .... D15/7  
D388,796 S \* 1/1998 Conti et al. .... D15/7  
D388,797 S \* 1/1998 Conti et al. .... D15/7  
D400,210 S \* 10/1998 Reynolds et al. .... D15/7  
D435,855 S \* 1/2001 Donelson et al. .... D15/7  
D484,145 S \* 12/2003 Roberts et al. .... D15/7  
D515,101 S \* 2/2006 Wiechers et al. .... D15/7

\* cited by examiner

*Primary Examiner* — Ralf Seifert

(74) *Attorney, Agent, or Firm* — Barnes & Thornburg LLP

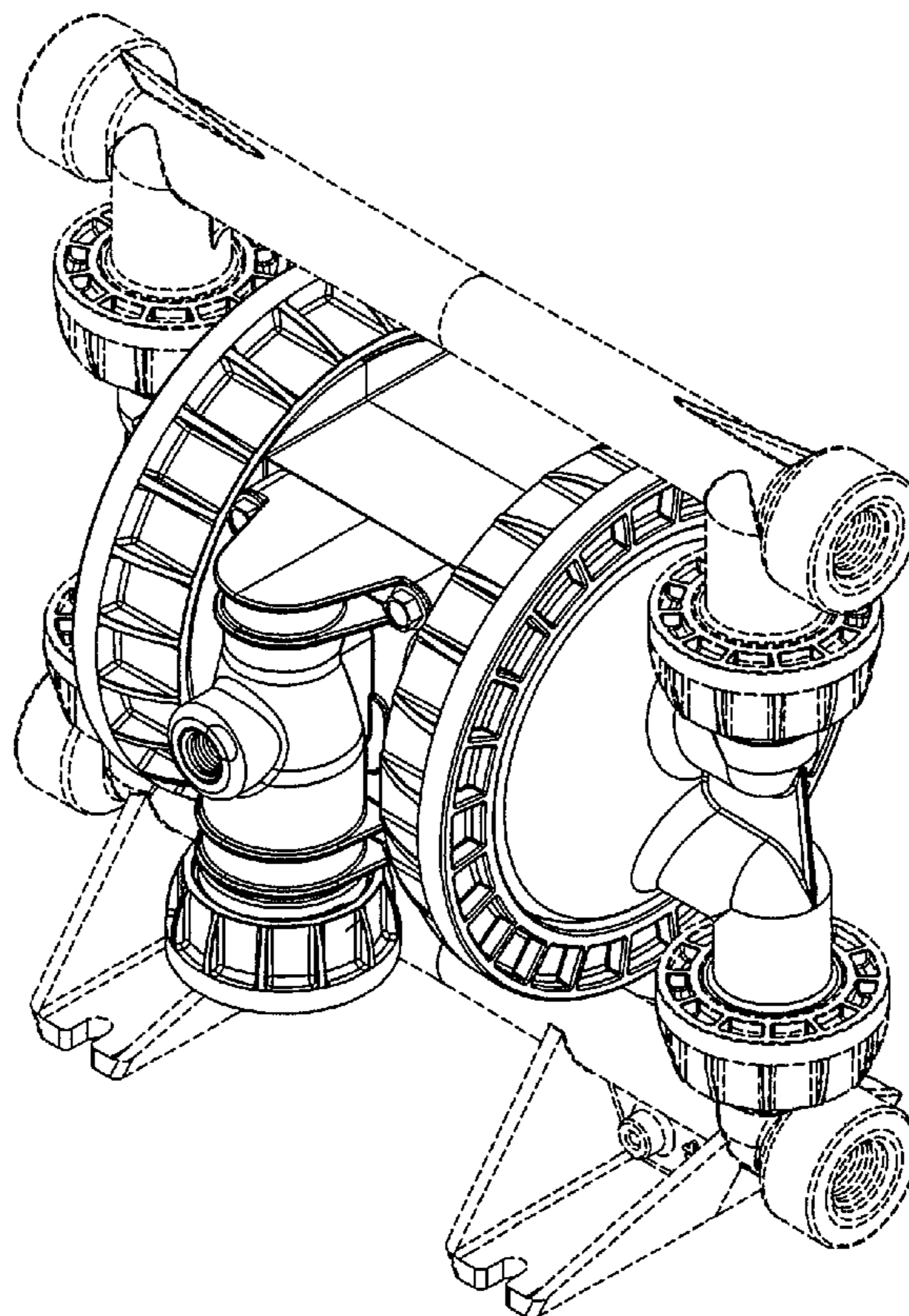
(57) **CLAIM**

The design of a double diaphragm pump assembly, as shown  
and described.

**DESCRIPTION**

FIG. 1 is a perspective view of an illustrative embodiment of  
a double diaphragm pump assembly;  
FIG. 2 is a forward elevation view of the diaphragm pump  
assembly of FIG. 1;  
FIG. 3 is a rear view of the double diaphragm pump assembly  
of FIG. 1;  
FIG. 4 is a top view of the double diaphragm pump of FIG. 1;  
FIG. 5 is a right side view of the double diaphragm pump of  
FIG. 1;  
FIG. 6 is a left hand side view of the double diaphragm pump  
of FIG. 1; and,  
FIG. 7 is an underside view of the double diaphragm pump of  
FIG. 1.

**1 Claim, 7 Drawing Sheets**



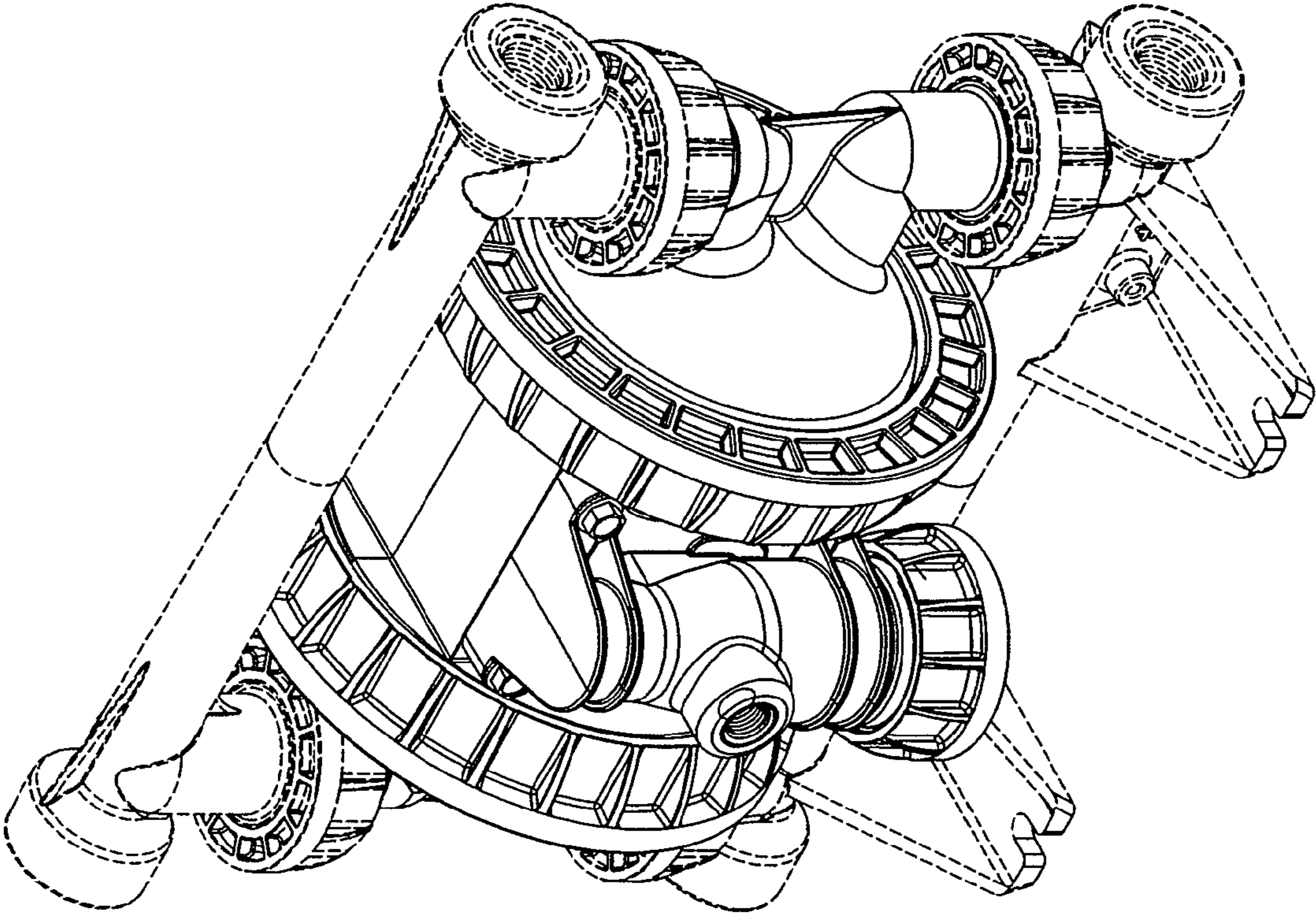


FIG. 1

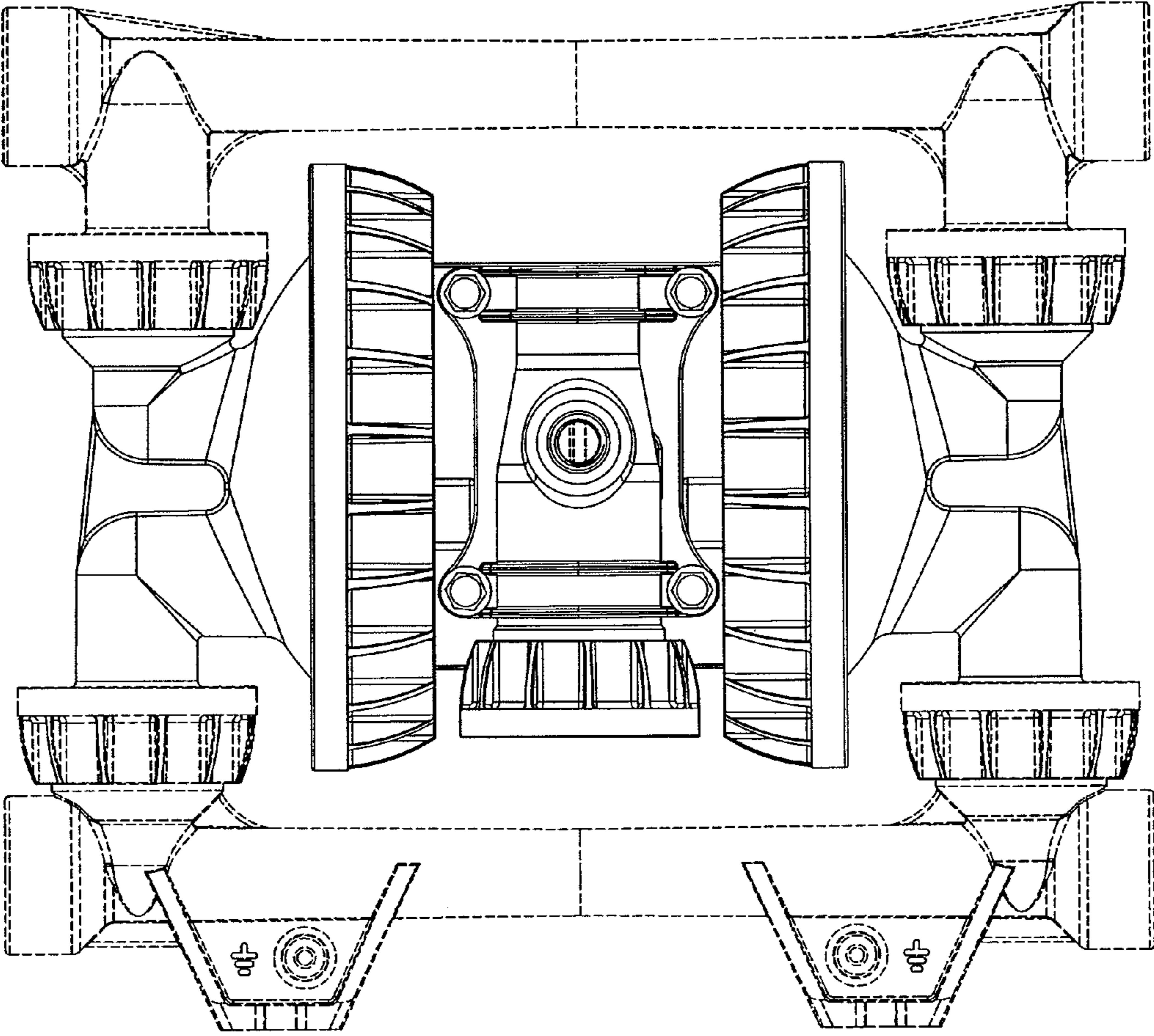


FIG. 2

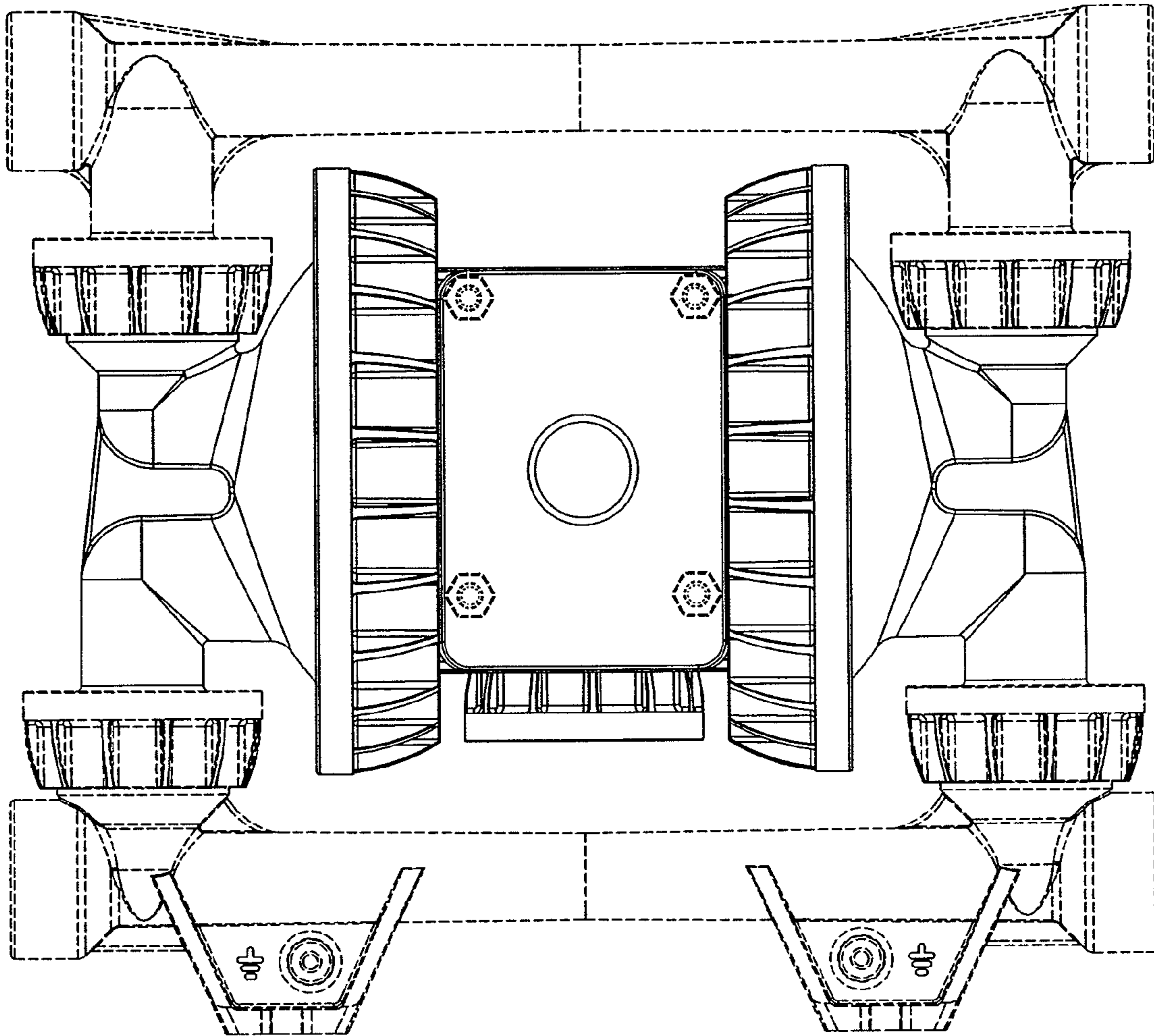


FIG. 3

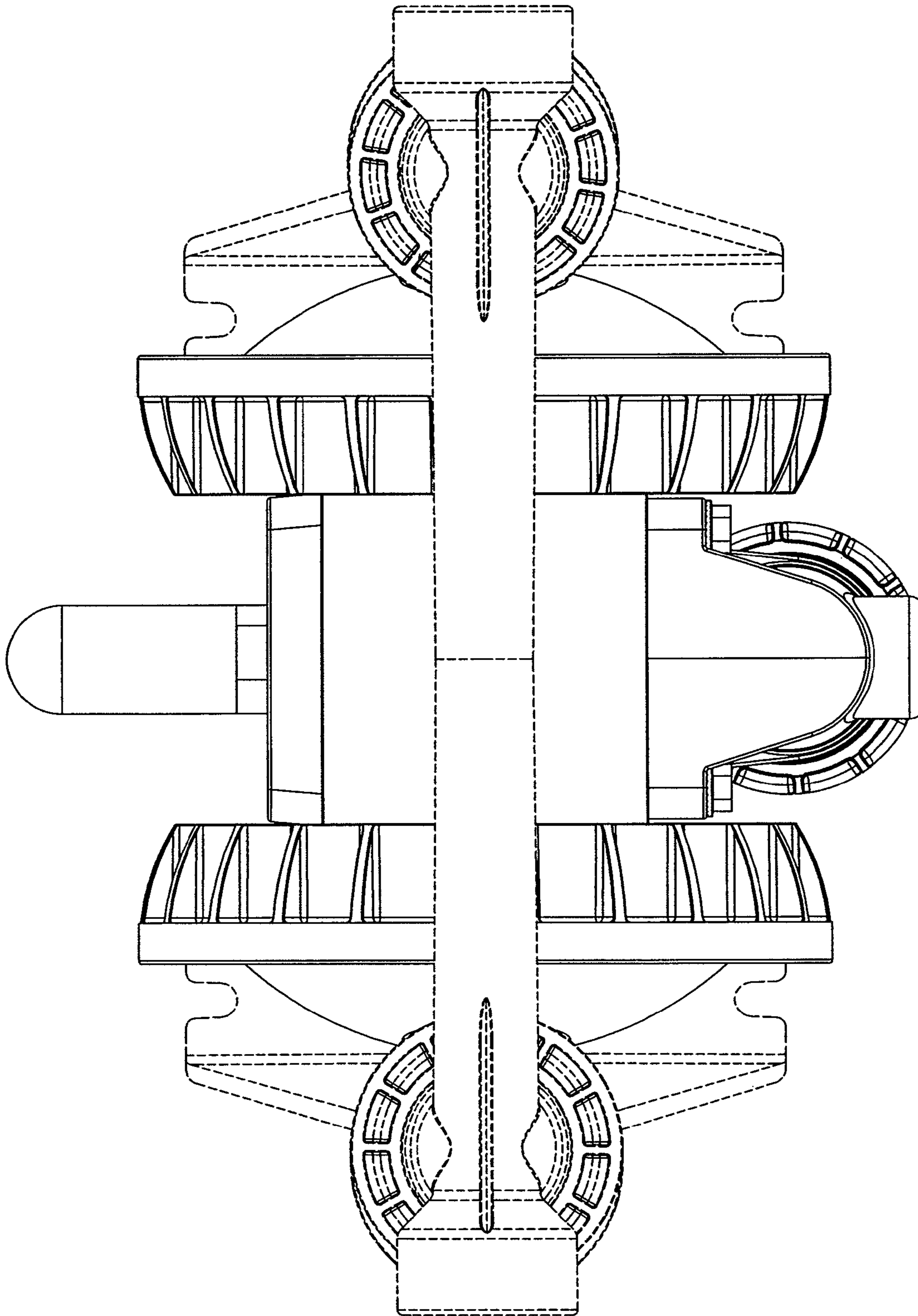


FIG. 4

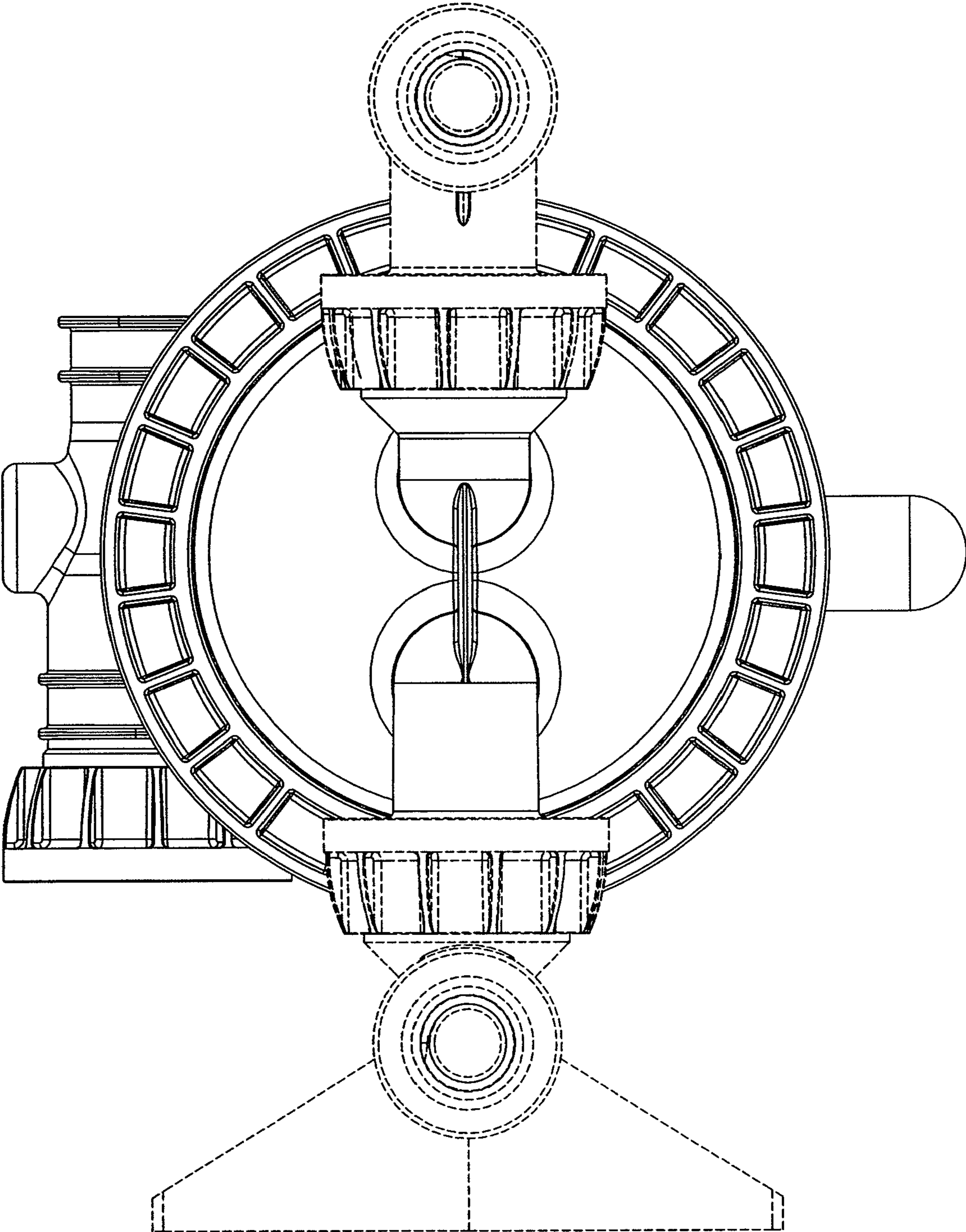


FIG. 5

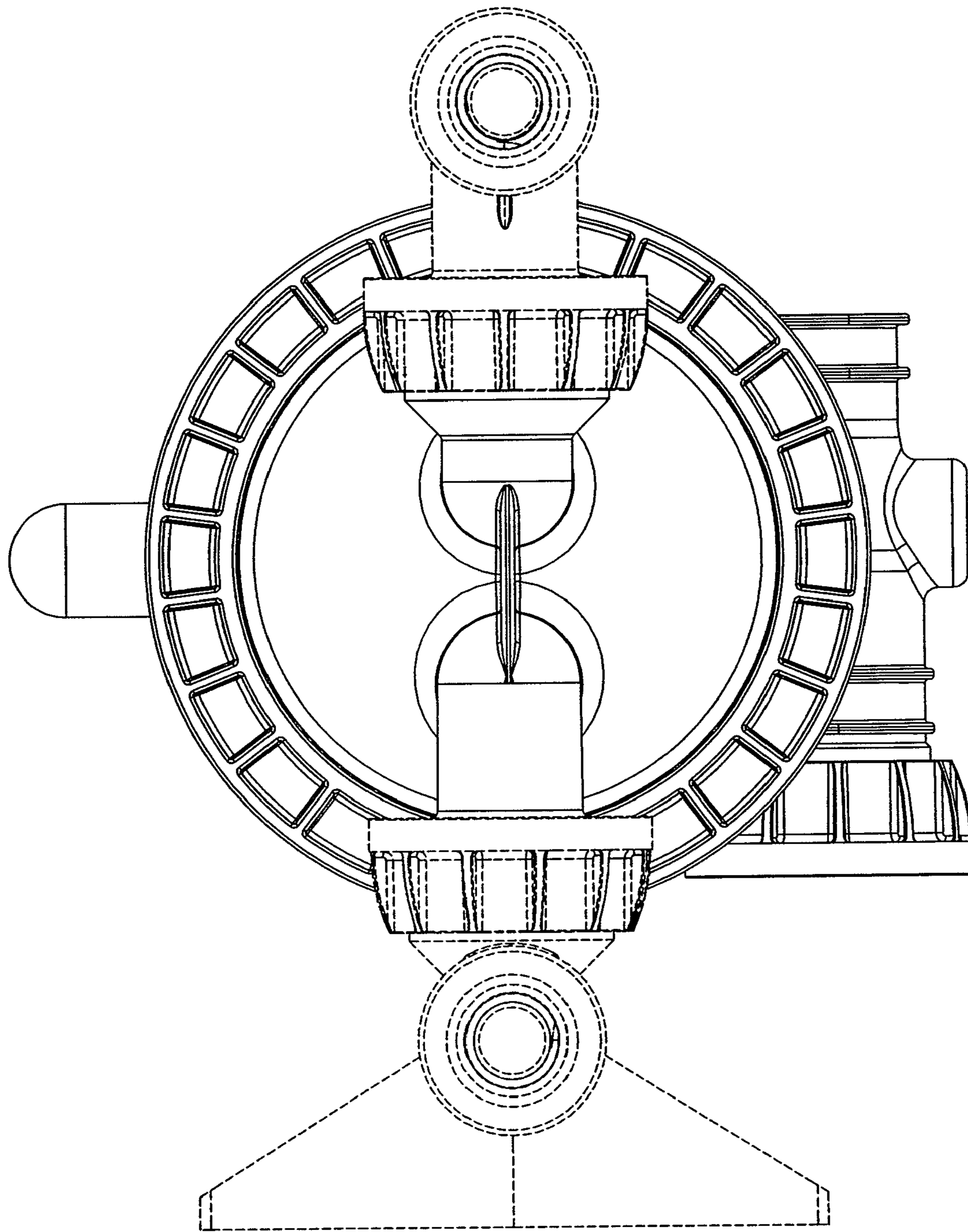


FIG. 6

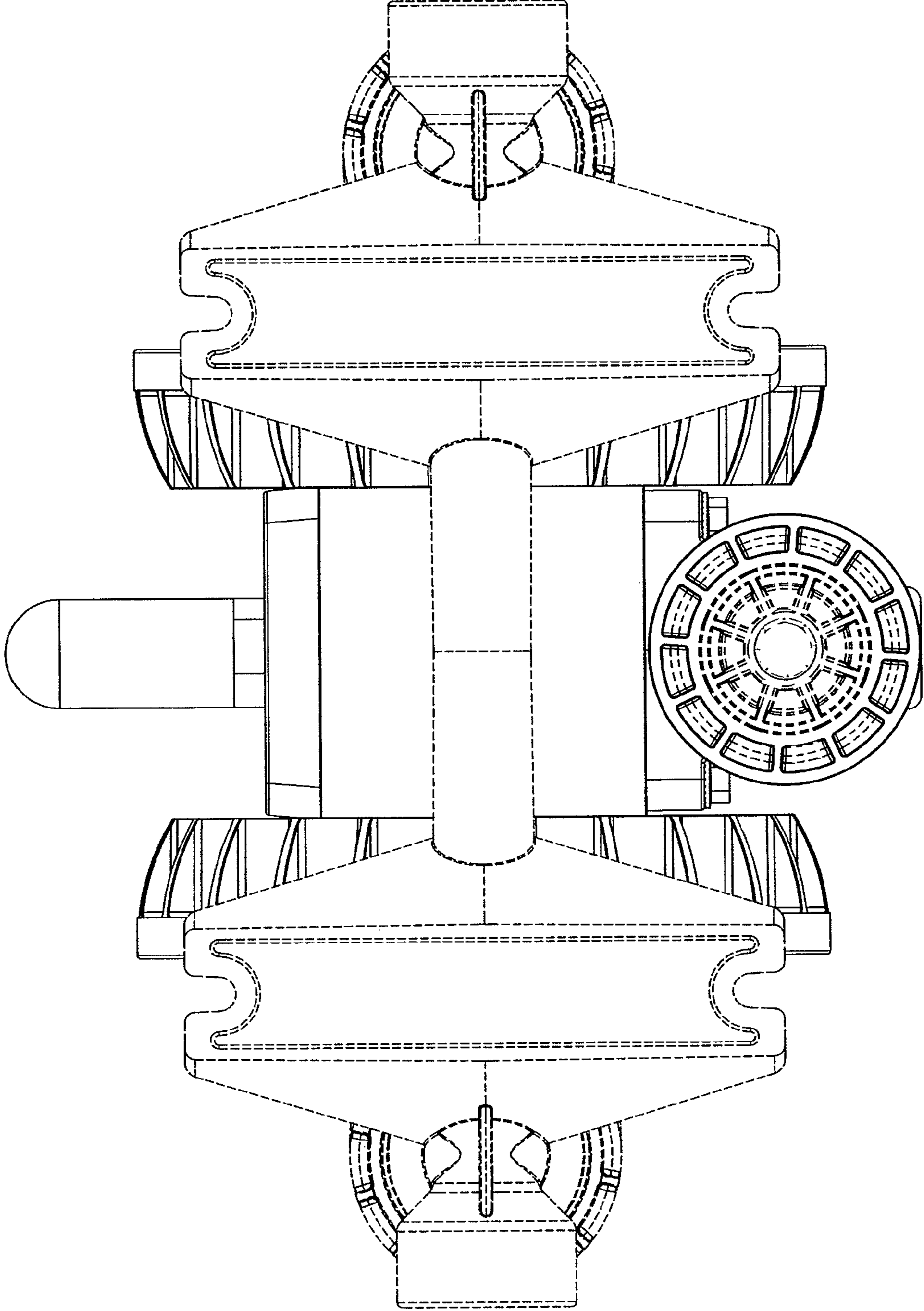


FIG. 7